

US00D500129S

(12) **United States Design Patent**  
**Bates**

(10) **Patent No.:** **US D500,129 S**

(45) **Date of Patent:** **\*\* Dec. 21, 2004**

(54) **LAVATORY**

(75) **Inventor:** **Michael R. Bates**, Sheboygan, WI (US)

(73) **Assignee:** **Kohler Co.**, Kohler, WI (US)

(\*\*) **Term:** **14 Years**

(21) **Appl. No.:** **29/202,479**

(22) **Filed:** **Mar. 31, 2004**

(51) **LOC (7) Cl.** ..... **23-01**

(52) **U.S. Cl.** ..... **D23/293.1**

(58) **Field of Search** ..... D23/270-273,  
D23/284-285, 289, 292-293.1, 303, 308;  
4/662-666, 619, 643, 661

(56) **References Cited**

**U.S. PATENT DOCUMENTS**

D320,846 S \* 10/1991 Waldren ..... D23/293.1

**OTHER PUBLICATIONS**

Kallista; Citizen Oval Large Undercounter Basin; Kallista Collection catalog p. 3.30.

American China; catalog page.

Eljer; Laura Lavatory; catalog p. 2.37.

Renaissance; catalog page.

Kohler; Countertop Lavatories; catalog p. 14.25.

Kohler; Sink Design; Figures 1 and 2, 2004.

\* cited by examiner

*Primary Examiner*—Robert A. Delehanty

(74) *Attorney, Agent, or Firm*—Quarles & Brady LLP

(57) **CLAIM**

The ornamental design for a lavatory, as shown and described.

**DESCRIPTION**

In a preferred embodiment, the nature of this product is as a plumbing fixture in the form of a lavatory which is primarily useful for washing the body parts of humans.

FIG. 1 is a left, top, front perspective view of a lavatory embodying my new design;

FIG. 2 is a top plan view thereof;

FIG. 3 is a front elevational view thereof;

FIG. 4 is a left side elevational view thereof, the right side elevational view thereof being a mirror image of the left side shown;

FIG. 5 is a rear elevational view thereof;

FIG. 6 is a bottom plan view thereof; and,

FIG. 7 is a cross-sectional view thereof taken along line 7-7 of FIG. 2.

**1 Claim, 4 Drawing Sheets**

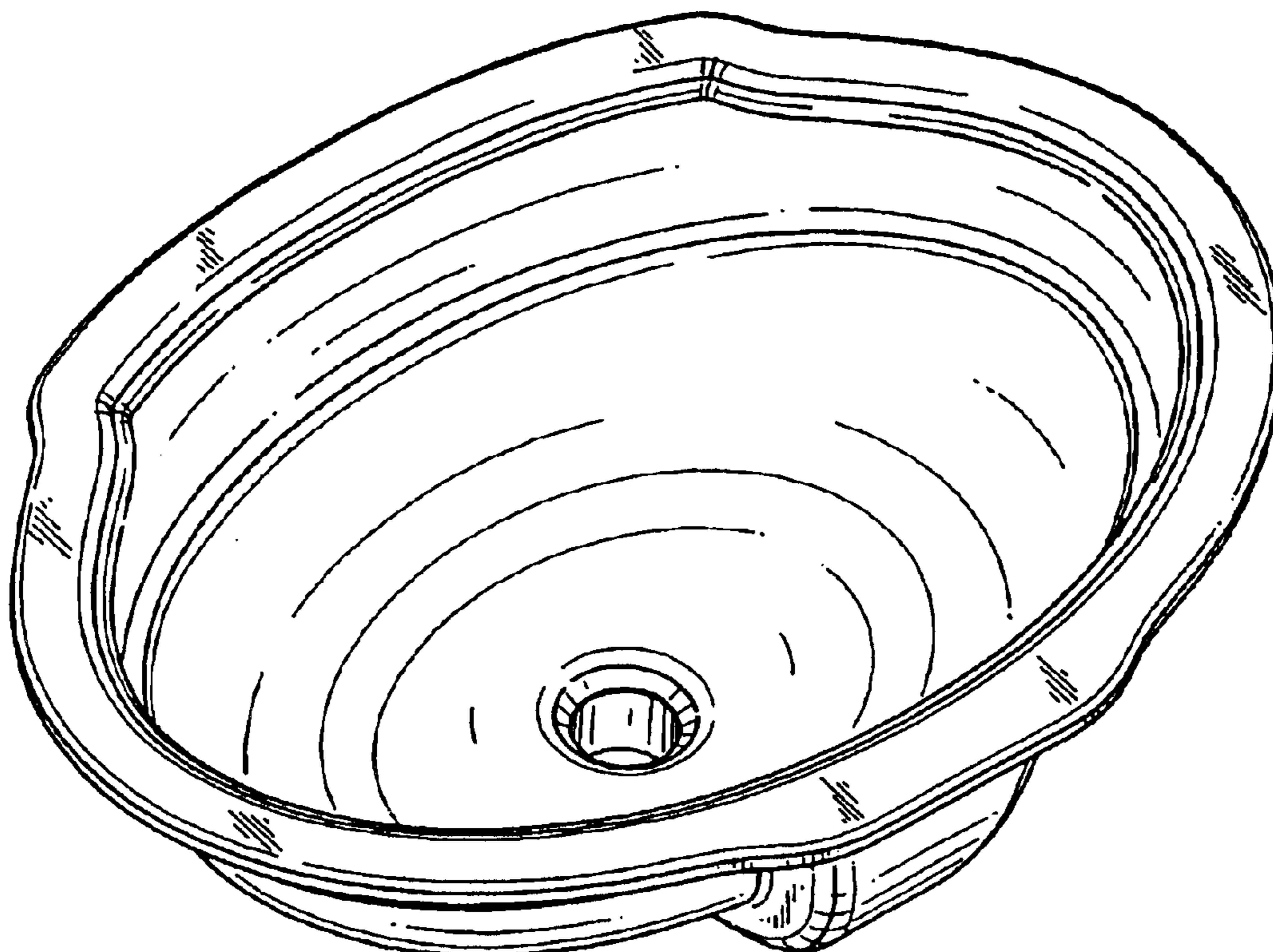


FIG. 1

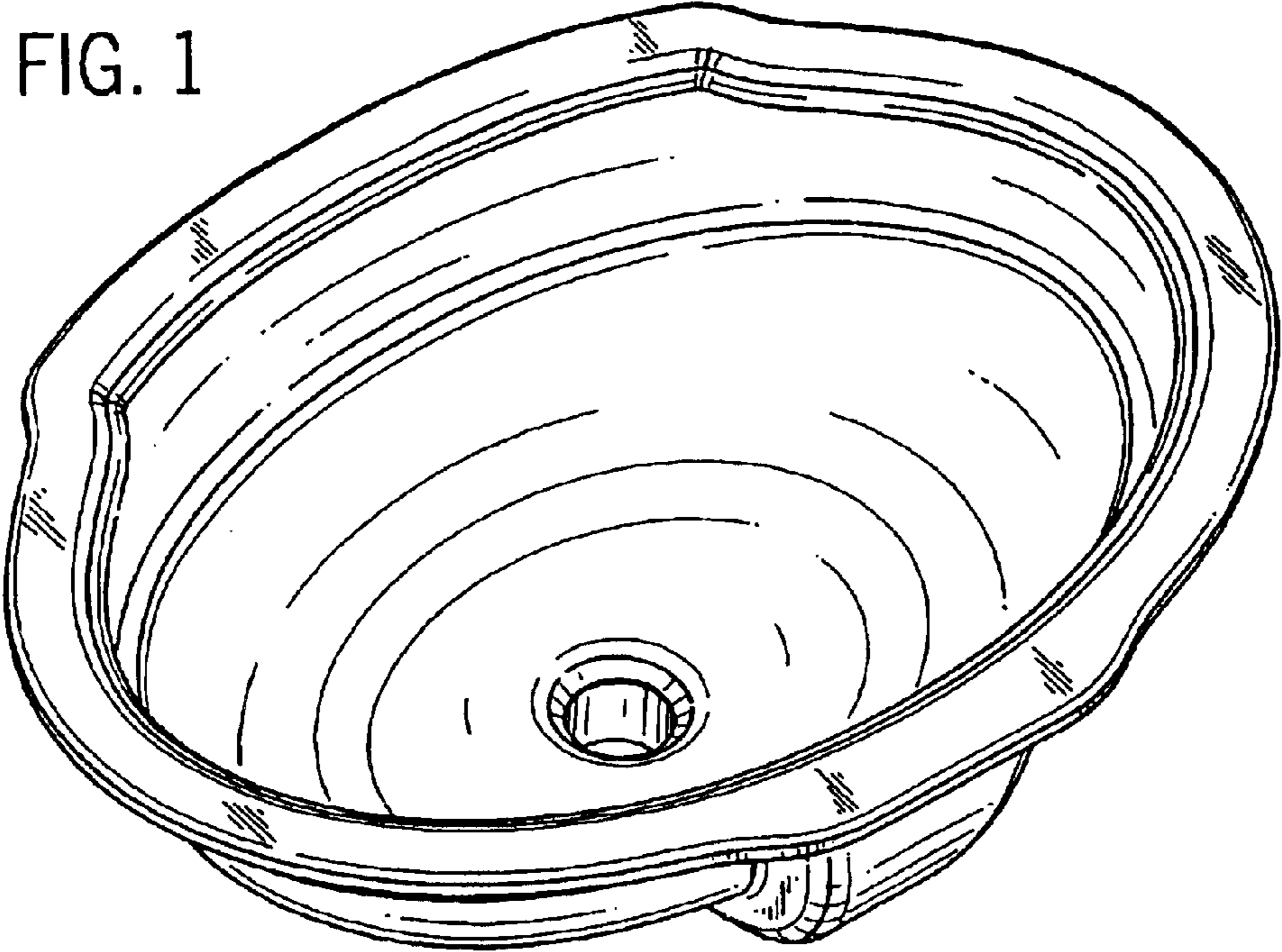


FIG. 2

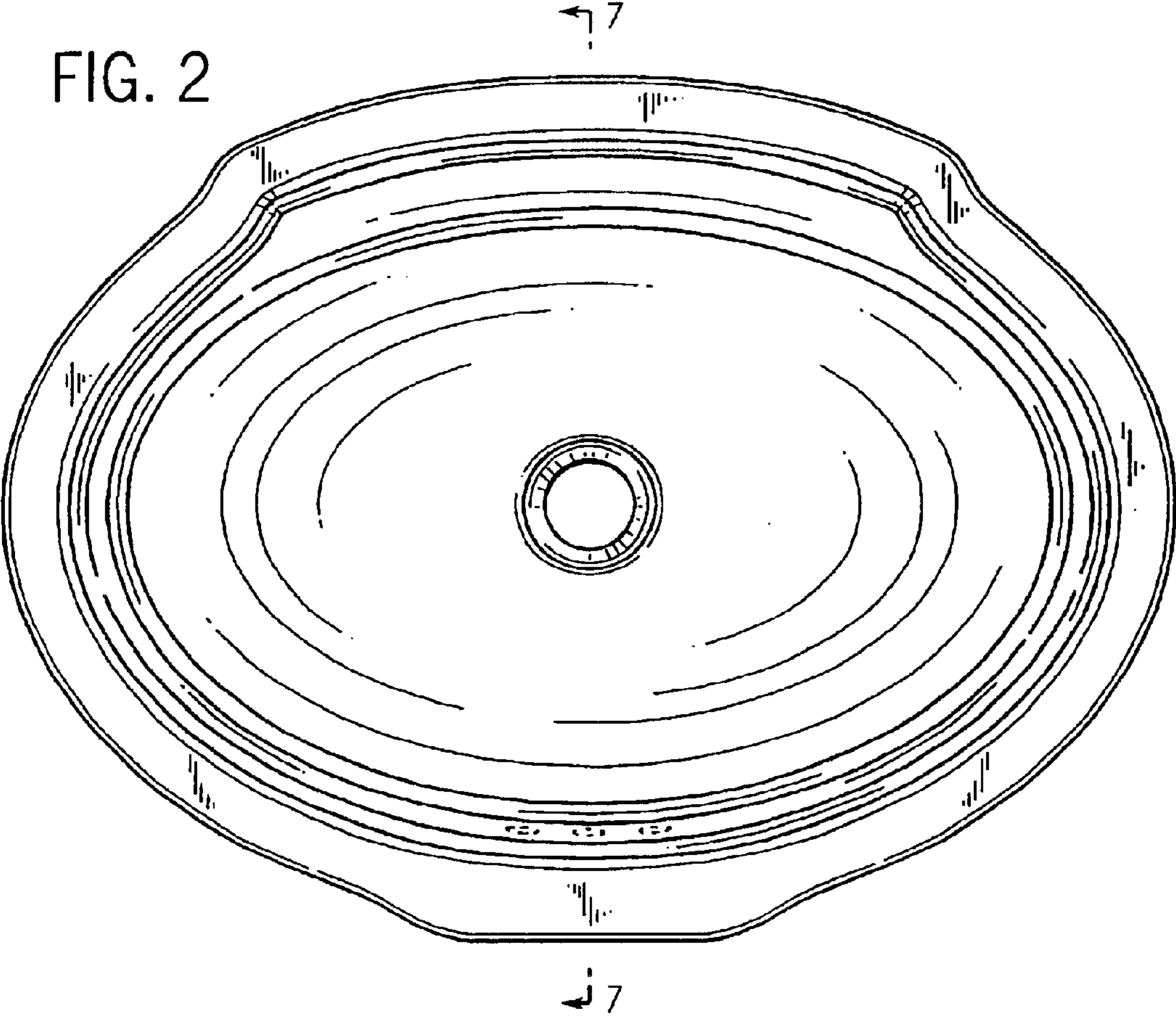


FIG. 3

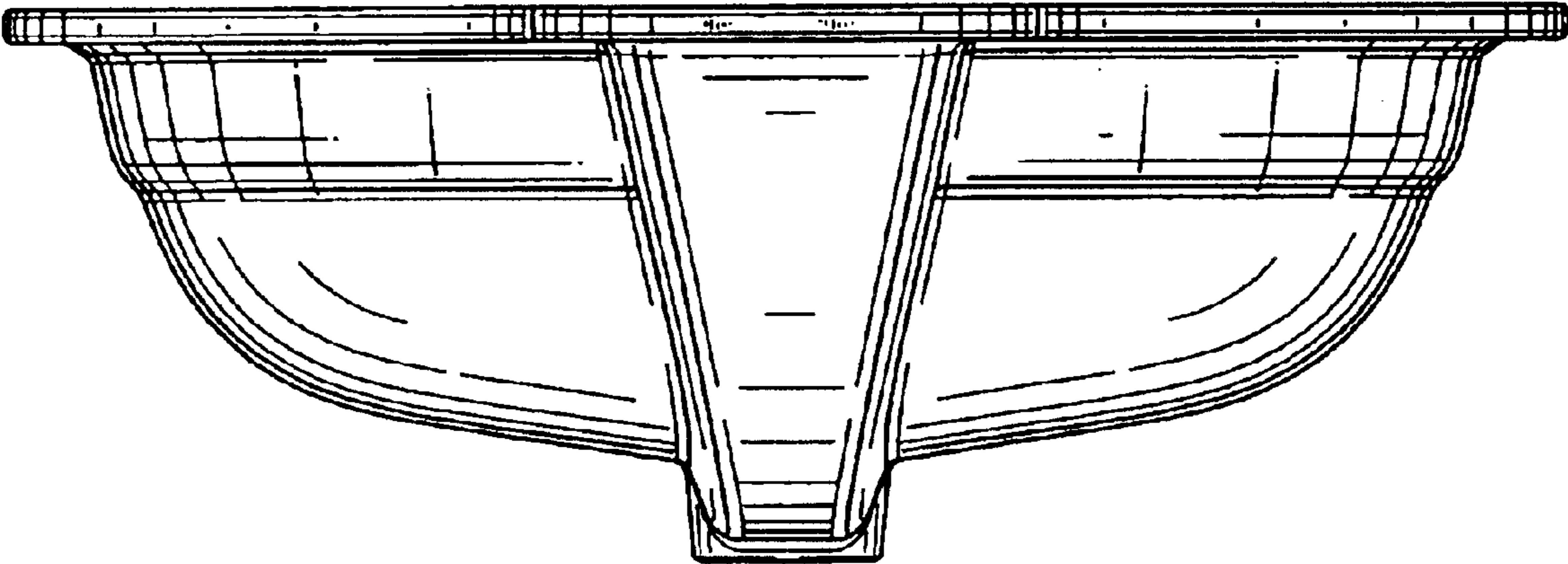


FIG. 4

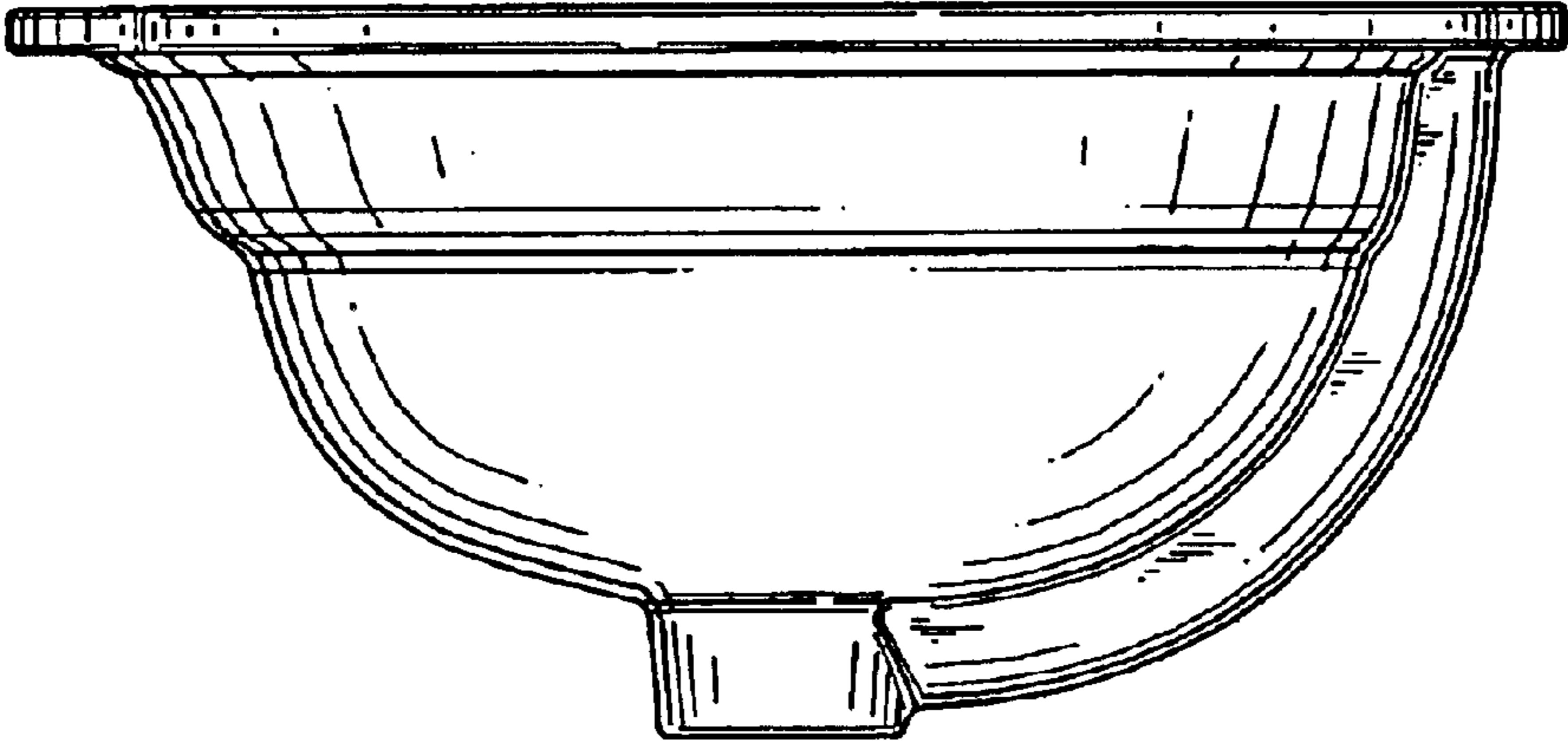


FIG. 5

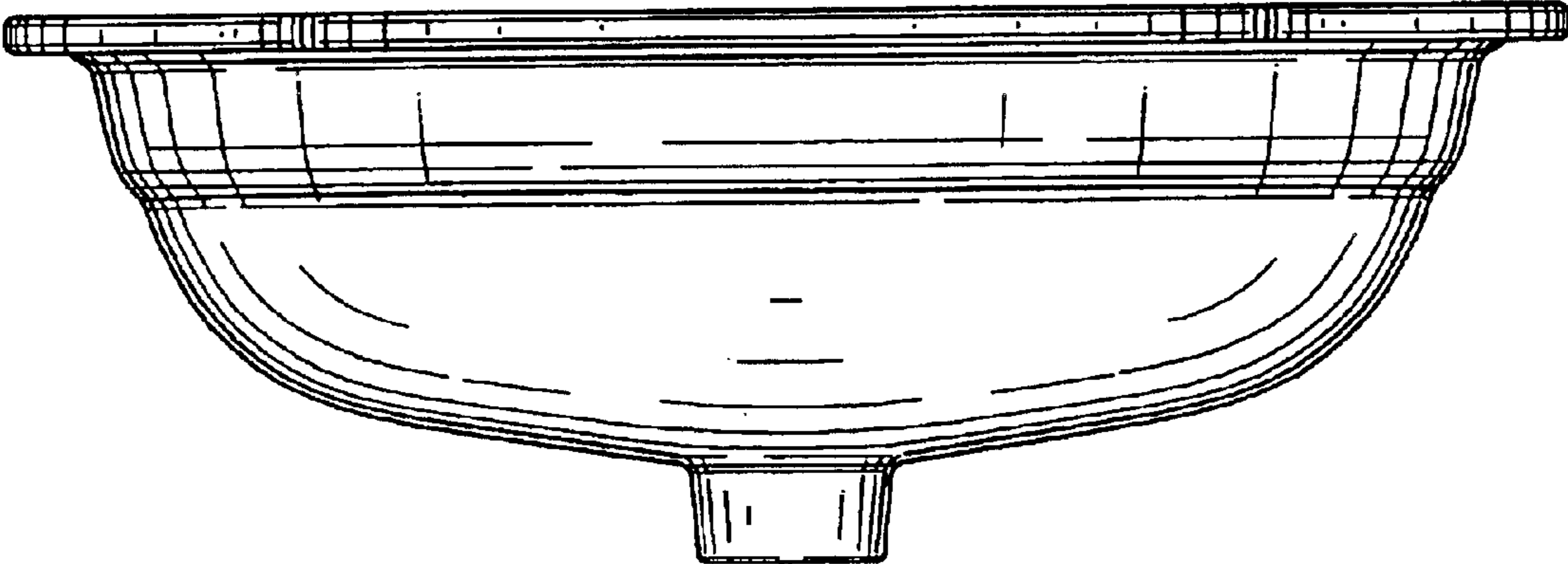


FIG. 6

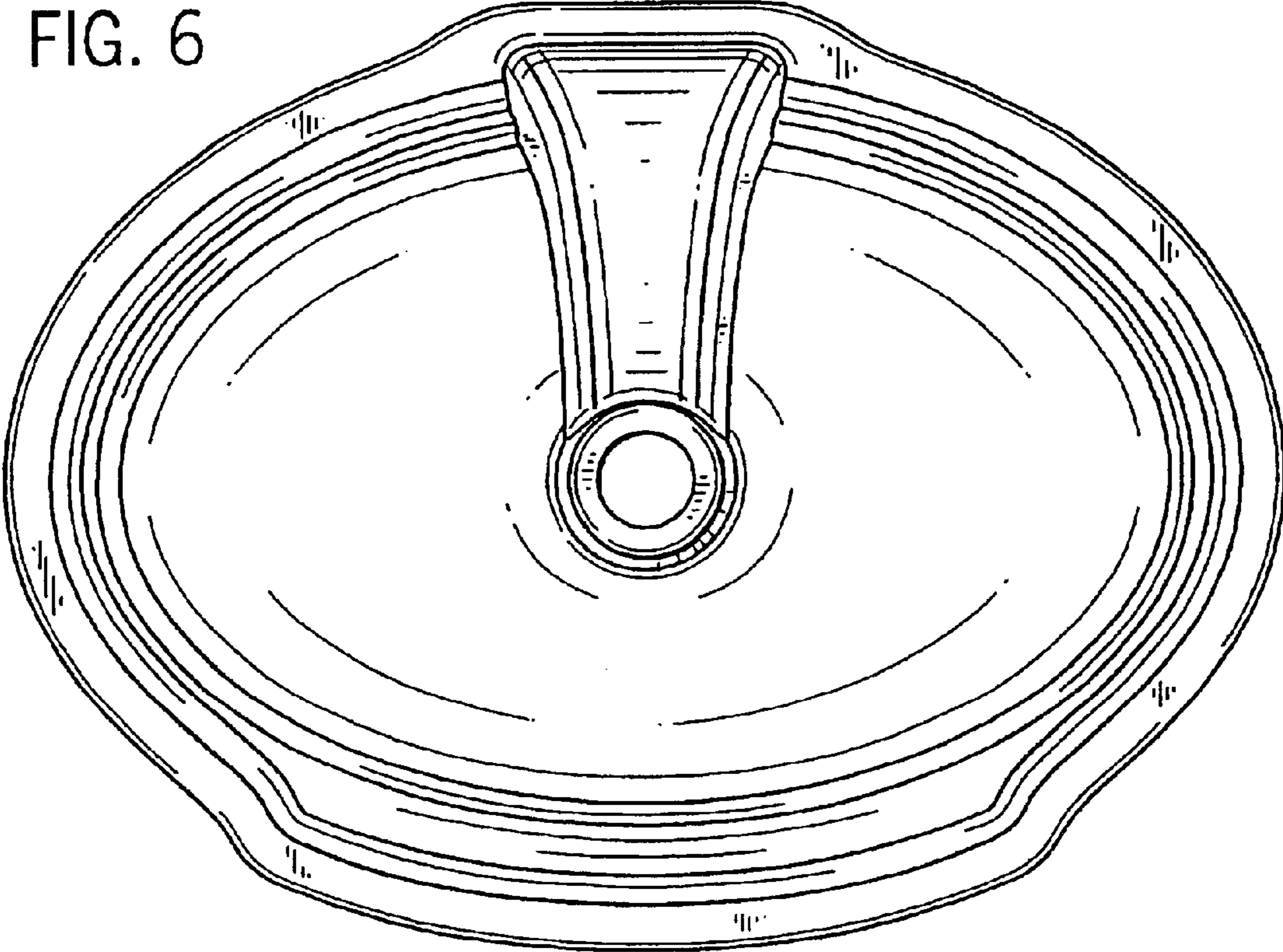


FIG. 7

