



US00D500127S

(12) **United States Design Patent** (10) **Patent No.:** **US D500,127 S**  
**Aubry et al.** (45) **Date of Patent:** **\*\* Dec. 21, 2004**

(54) **LAVATORY**

(75) Inventors: **Clodagh Aubry**, New York, NY (US);  
**Kate Verner**, New York, NY (US)

(73) Assignee: **Ann Sacks Tile and Stone, Inc.**,  
Portland, OR (US)

(\*\*) Term: **14 Years**

(21) Appl. No.: **29/179,543**

(22) Filed: **Apr. 10, 2003**

(51) **LOC (7) Cl.** ..... **23-01**

(52) **U.S. Cl.** ..... **D23/293.1**

(58) **Field of Search** ..... D23/270-273,  
D23/284-285, 289, 292-293.1, 303, 308,  
287; 4/662-666, 619, 643, 661, 650-652

(56) **References Cited**

**U.S. PATENT DOCUMENTS**

D36,995 S \* 6/1904 Gregg ..... D23/293.1  
D463,538 S \* 9/2002 Chipperfield ..... D23/284

\* cited by examiner

*Primary Examiner*—Robert A. Delehanty

(74) *Attorney, Agent, or Firm*—Quarles & Brady LLP

(57) **CLAIM**

The ornamental design for a lavatory, as shown and described.

**DESCRIPTION**

In a preferred embodiment, the nature of this product is as a plumbing fixture in the form of an above-counter lavatory which is primarily useful for washing the body parts of humans.

FIG. 1 is a right, top, front perspective view of a lavatory embodying our new design;

FIG. 2 is a top plan view thereof;

FIG. 3 is a front elevational view thereof;

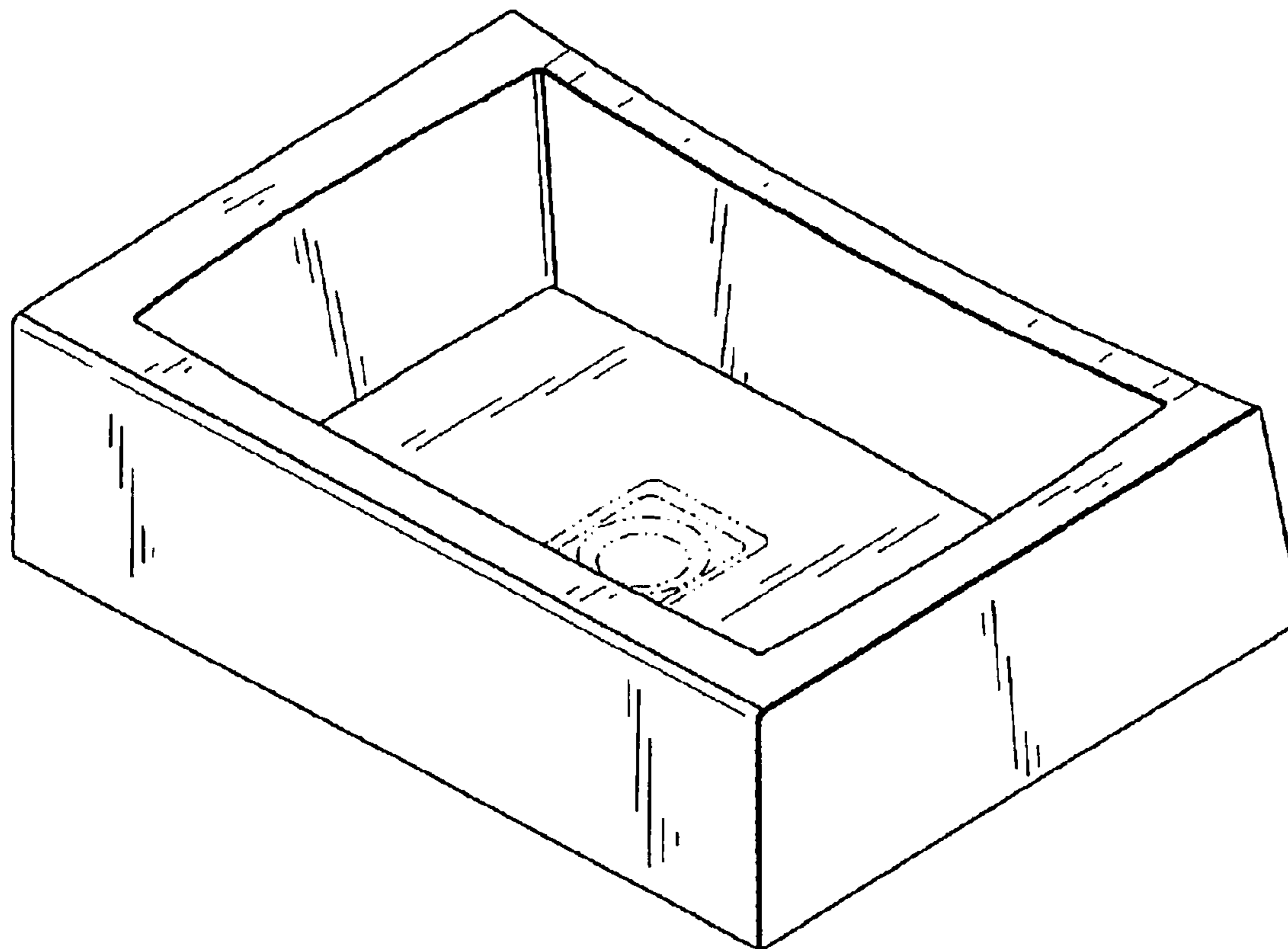
FIG. 4 is a right side elevational view thereof, the left side elevational view thereof being a mirror image of the right side shown;

FIG. 5 is a rear elevational view thereof; and,

FIG. 6 is a bottom plan view thereof.

The broken line representations of a drain and a drain cover in FIGS. 1-6 are for the purpose of illustration only, and form no part of the claimed design.

**1 Claim, 3 Drawing Sheets**



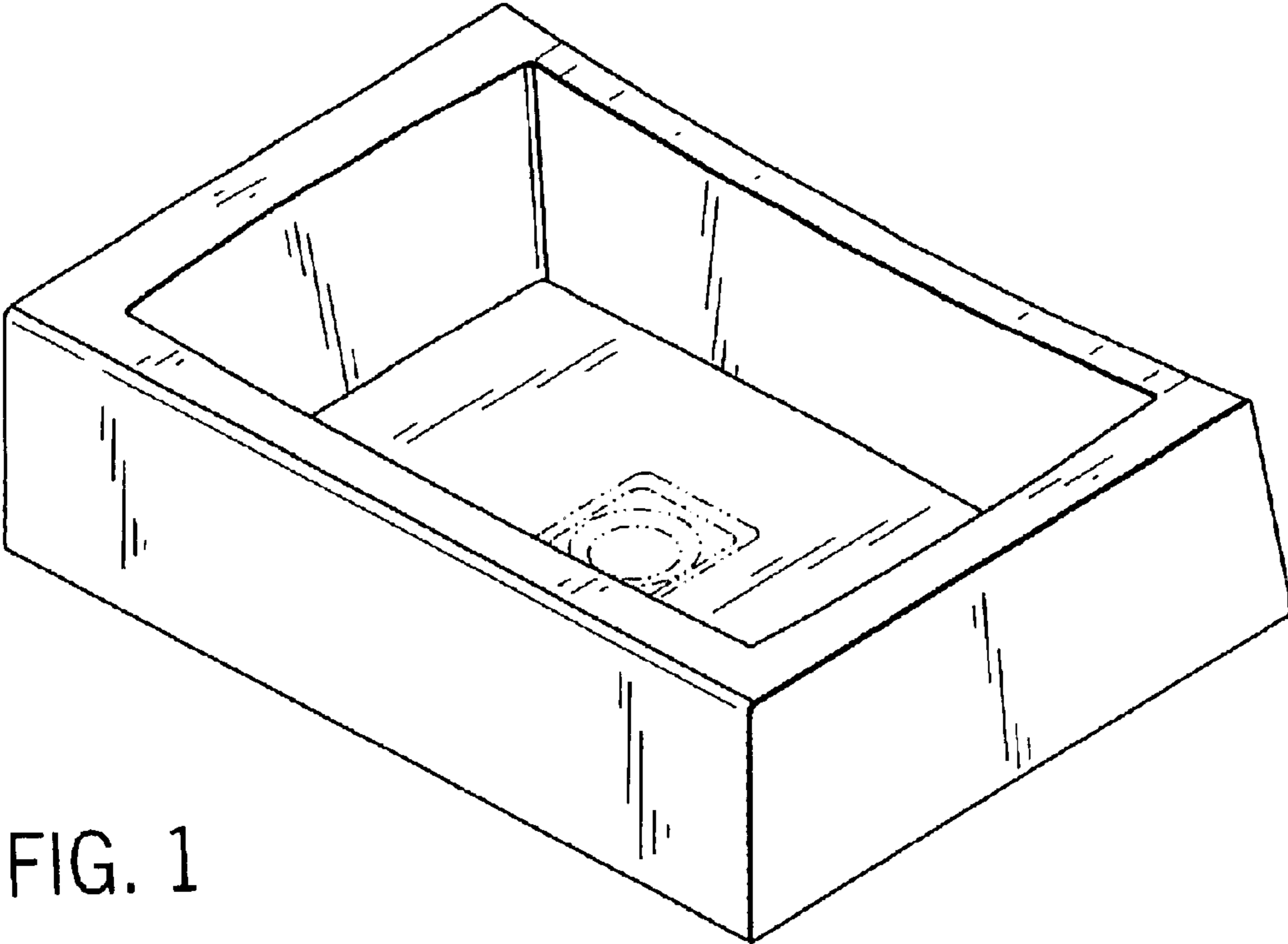


FIG. 1

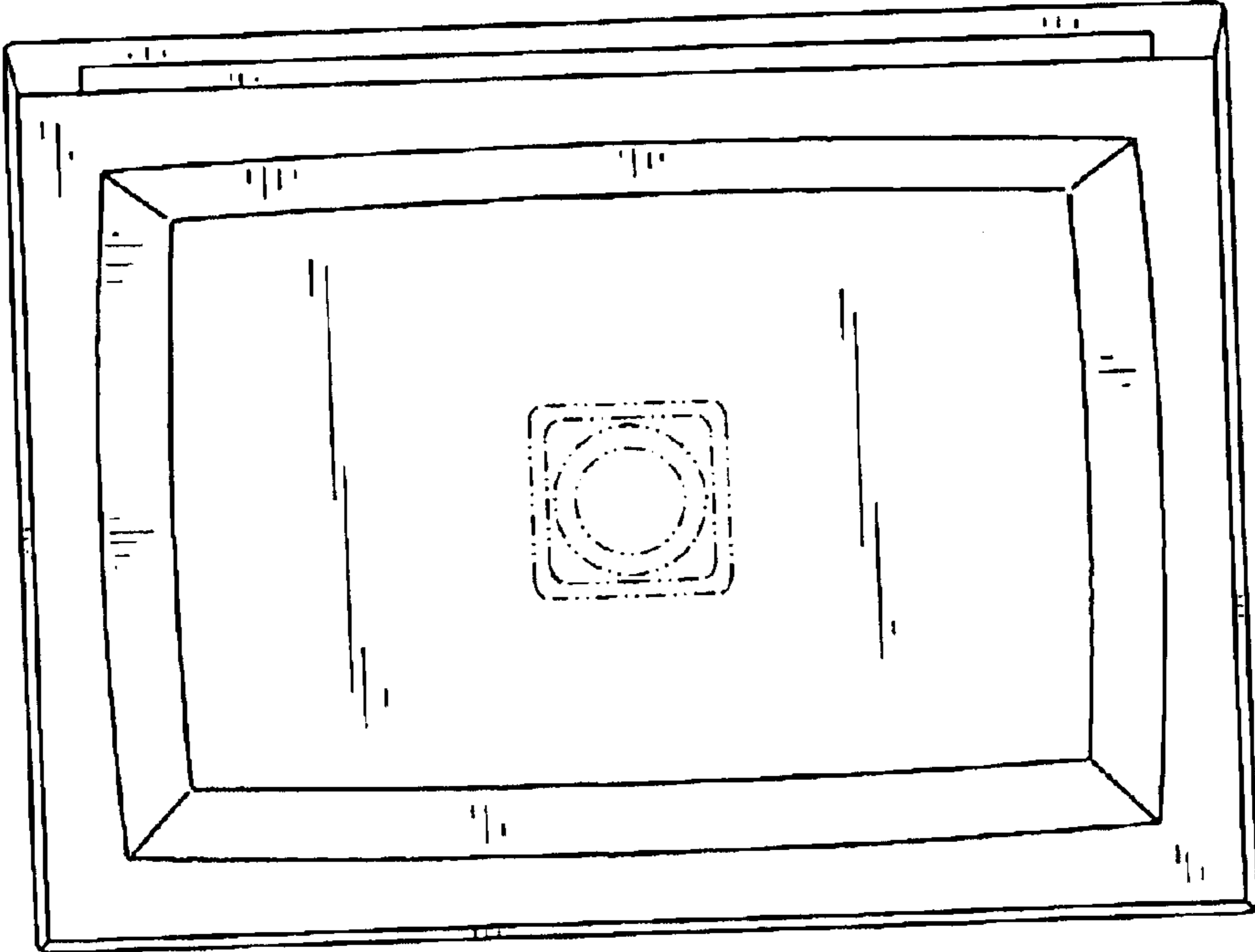


FIG. 2

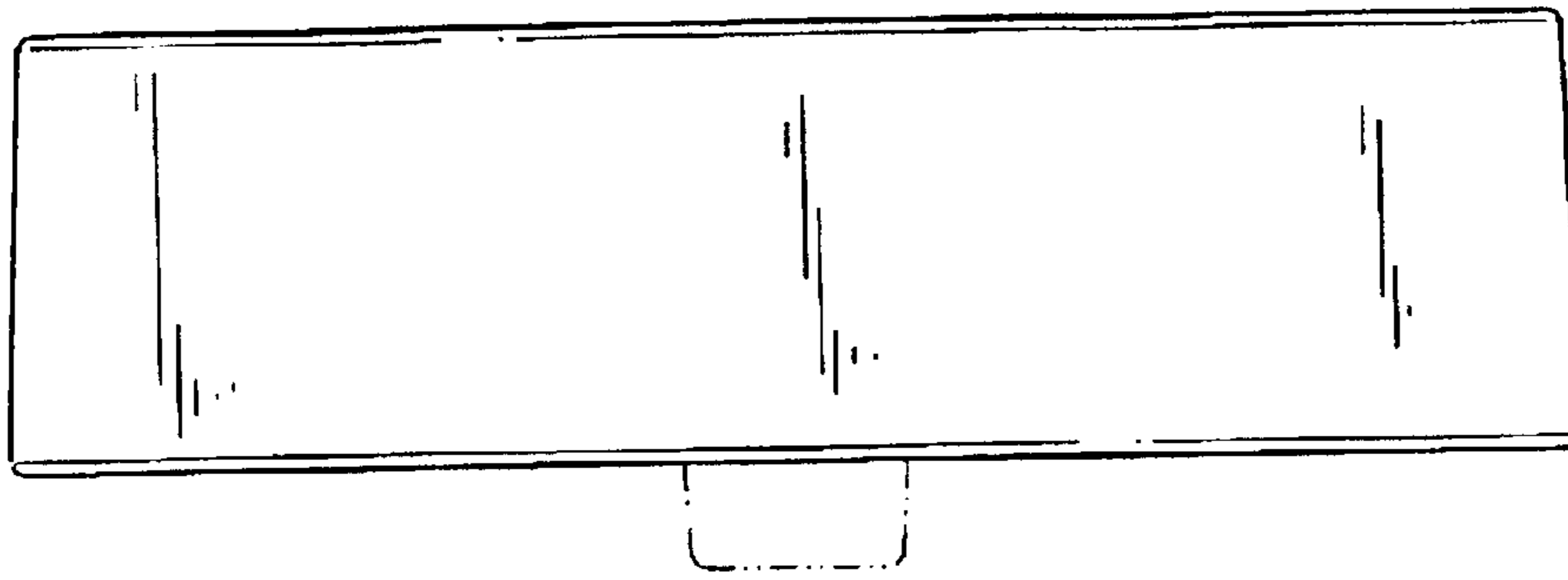


FIG. 3

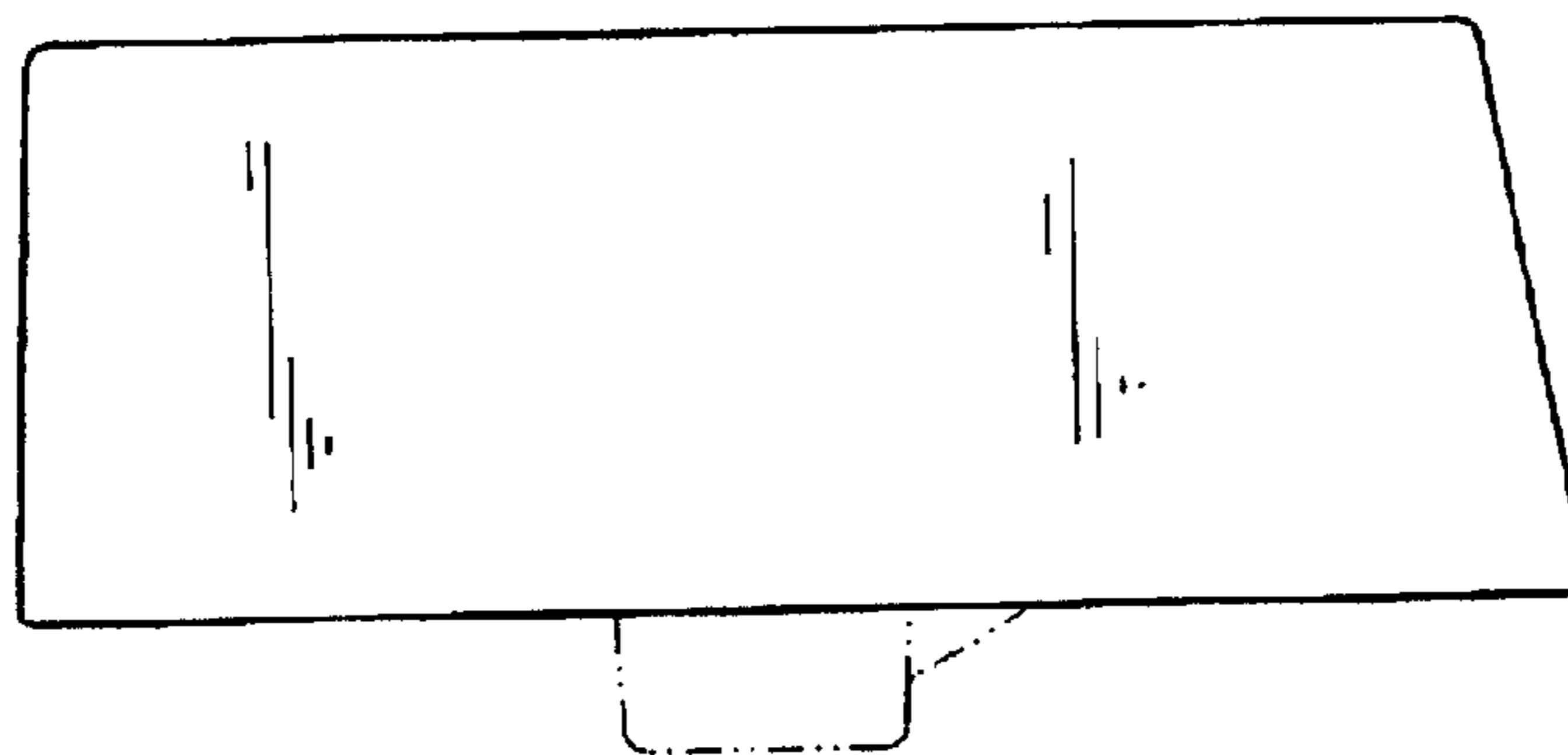


FIG. 4

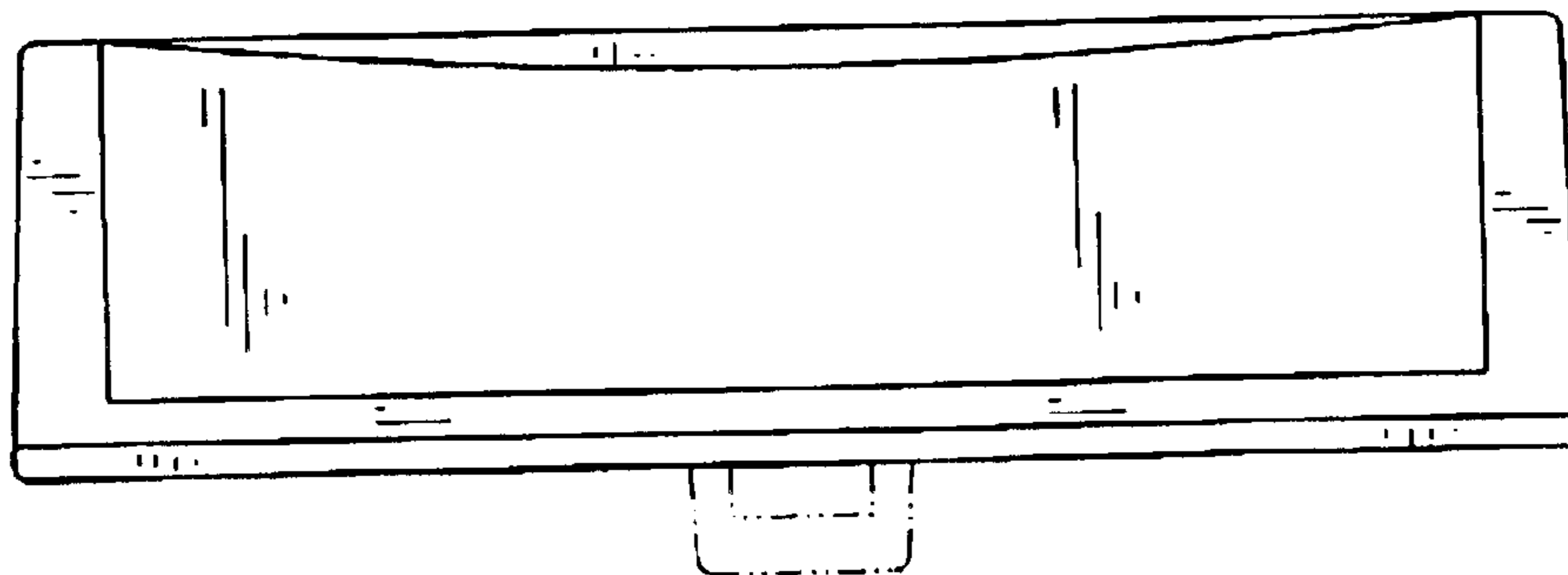


FIG. 5

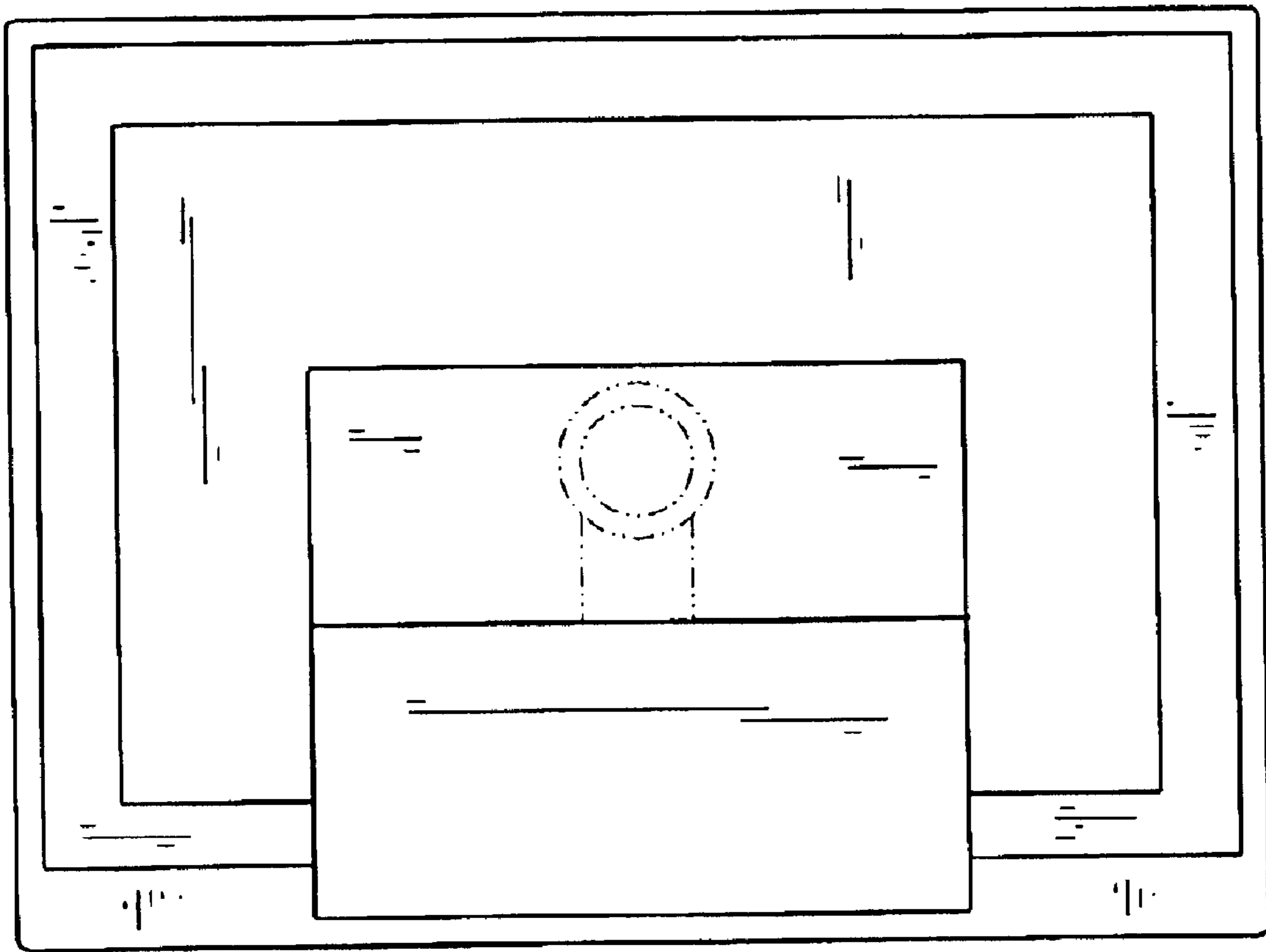


FIG. 6