

US00D500123S

(12) **United States Design Patent**
Pelletz

(10) **Patent No.:** **US D500,123 S**

(45) **Date of Patent:** **** Dec. 21, 2004**

(54) **QUICK OPENING STREET BIBCOCK**

D477,655 S * 7/2003 Paine D23/245
D481,106 S * 10/2003 Pelletz D23/245

(76) Inventor: **Leslie G. Pelletz**, 19 Depot St.,
Uxbridge, MA (US) 01569

* cited by examiner

(**) Term: **14 Years**

Primary Examiner—Nelson C. Holtje
(74) *Attorney, Agent, or Firm*—Norton R. Townsley;
Belasco Jacobs & Townsley, LLP

(21) Appl. No.: **29/190,954**

(22) Filed: **Sep. 29, 2003**

(57) **CLAIM**

(51) **LOC (7) Cl.** **23-01**

I claim the ornamental design for the quick opening street
bibcock, as shown and described.

(52) **U.S. Cl.** **D23/245**

(58) **Field of Search** D23/233–249,
D23/245; 251/288, 315; 137/359–360, 270–271,
801

DESCRIPTION

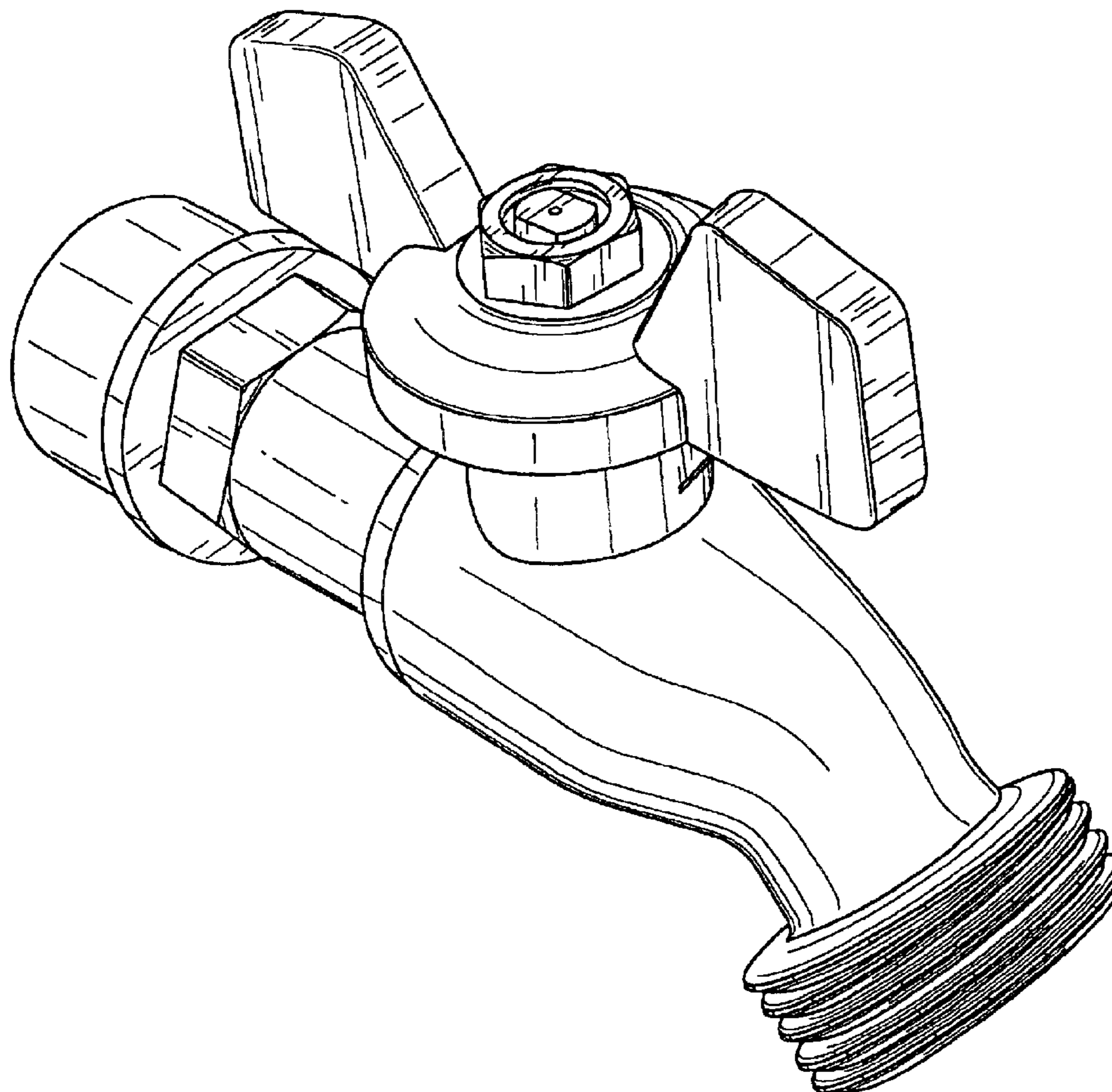
(56) **References Cited**

U.S. PATENT DOCUMENTS

955,979 A	*	4/1910	Murphy	251/288
D46,024 S	*	6/1914	Hoffman	D23/238
D318,319 S	*	7/1991	Rokita	D23/238
5,577,530 A	*	11/1996	Condon	137/360
D400,970 S	*	11/1998	Voo	D23/245
D474,262 S	*	5/2003	Pelletz	D23/245

FIG. 1 is a perspective view of my new quick opening street
bibcock;
FIG. 2 is a front view said first embodiment;
FIG. 3 is rear view said first embodiment;
FIG. 4 is a side view said first embodiment from one side;
FIG. 5 is a side view said first embodiment from the other
side;
FIG. 6 is a top view said first embodiment; and,
FIG. 7 is bottom view said first embodiment.

1 Claim, 6 Drawing Sheets



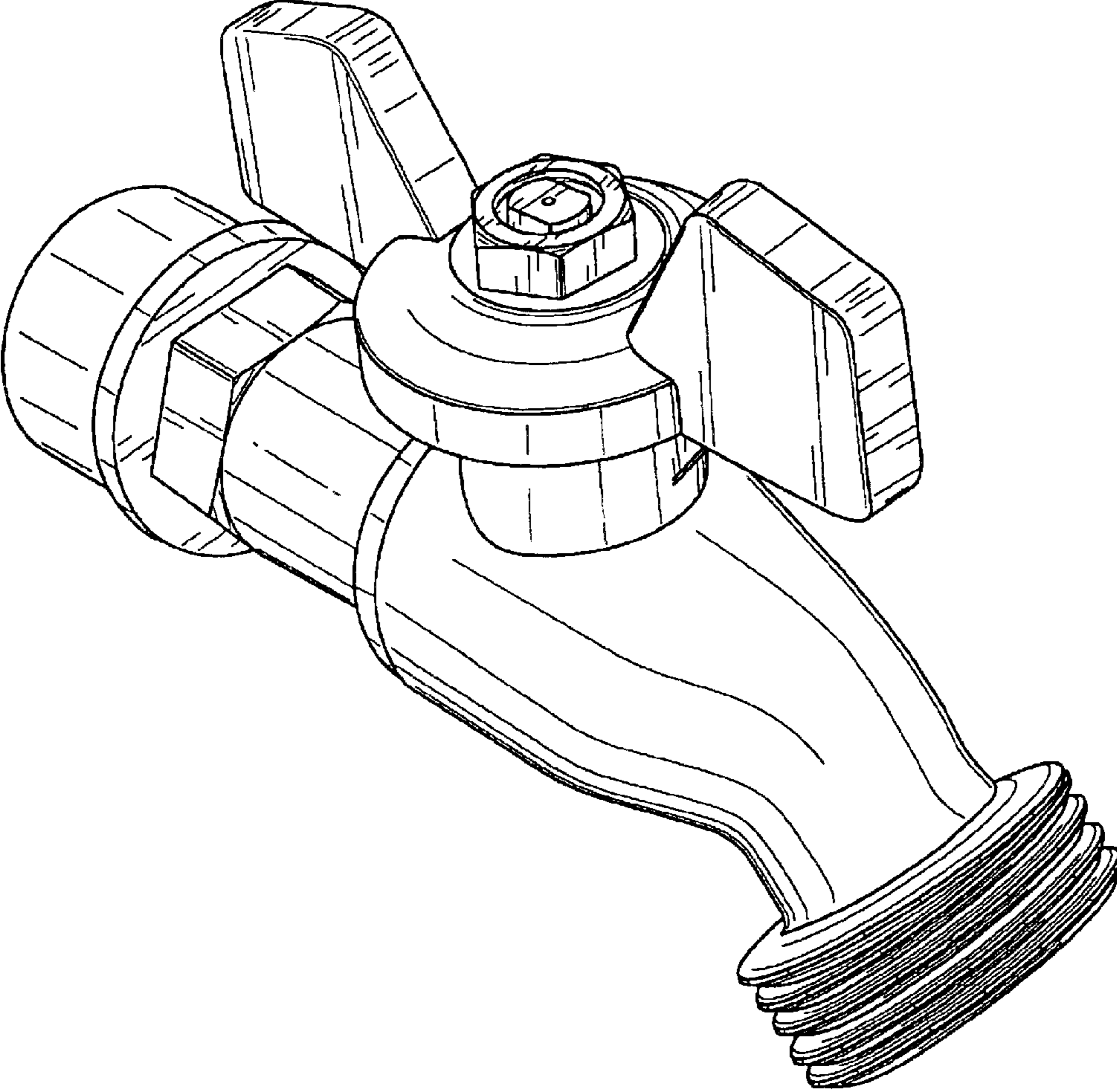


FIG. 1

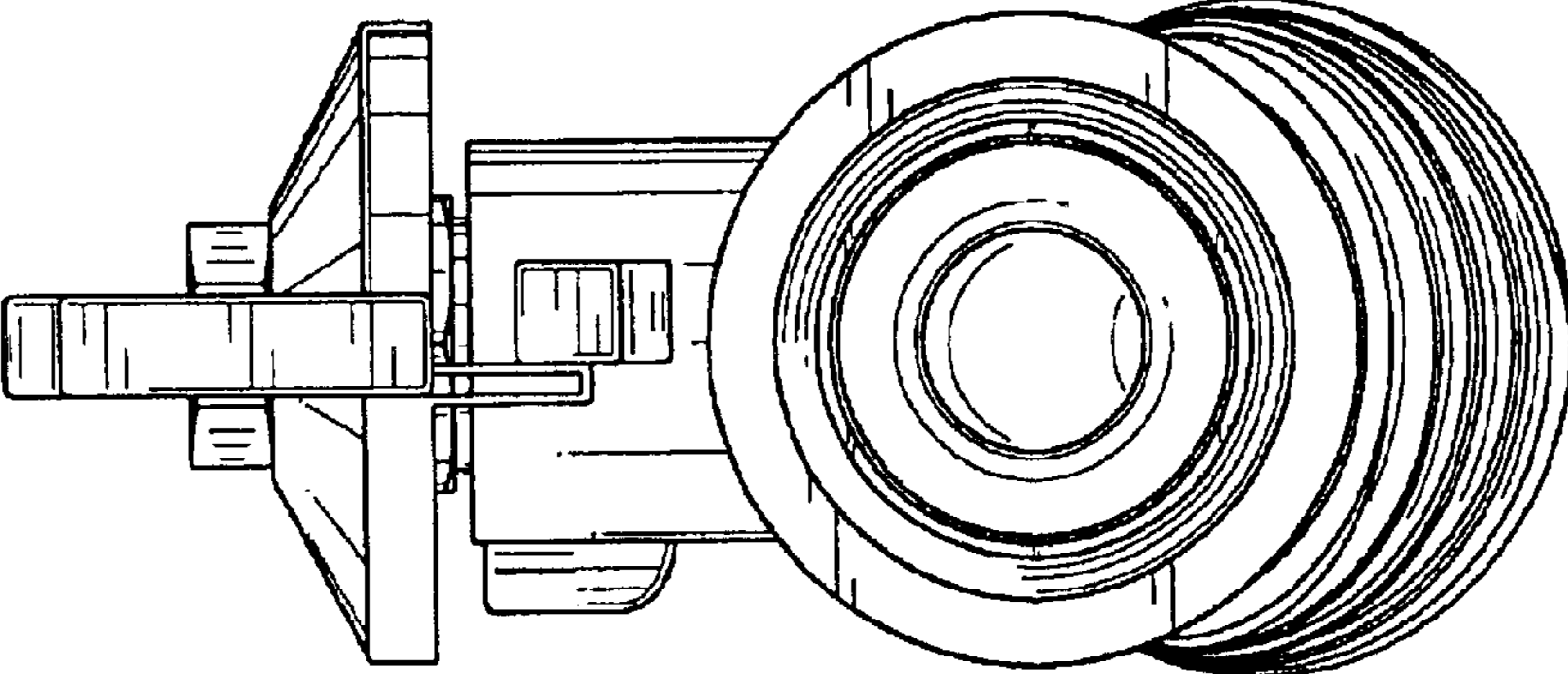


FIG. 3

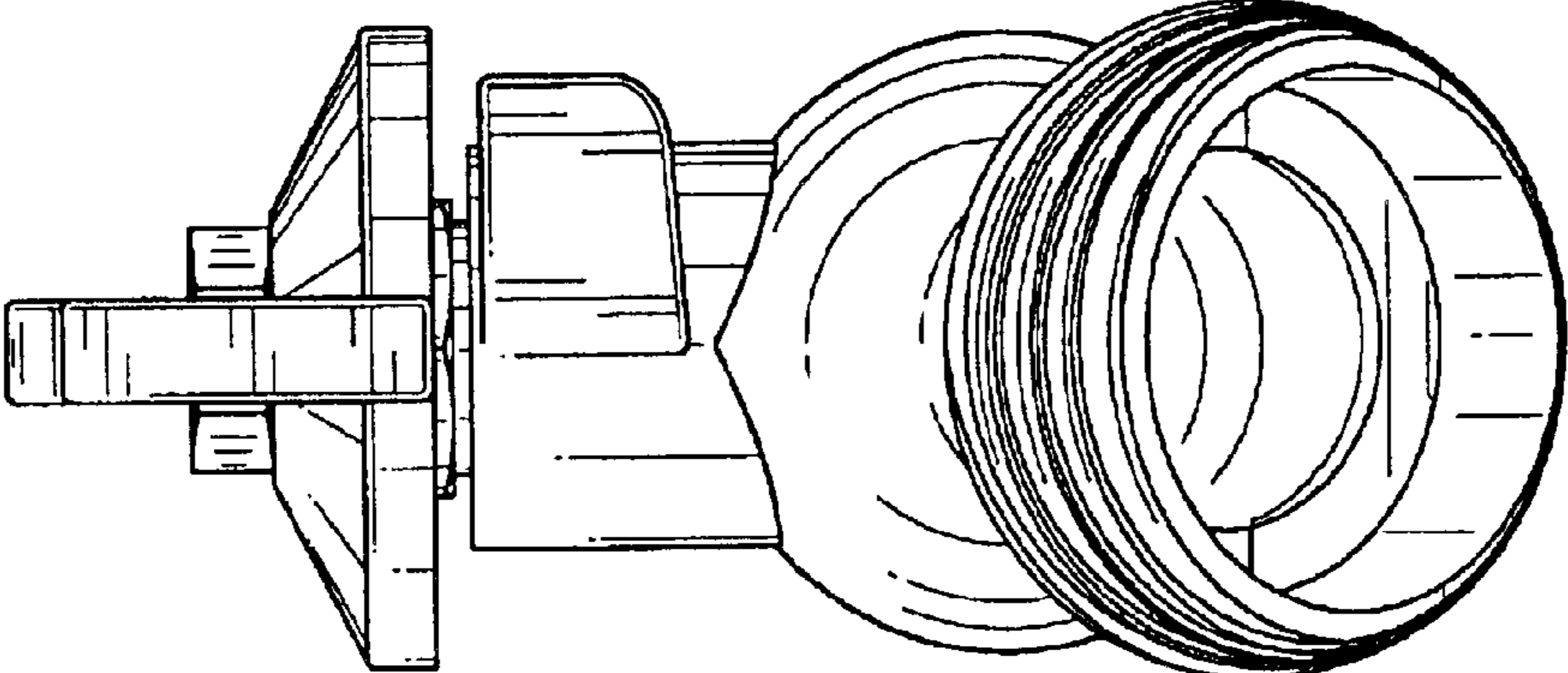


FIG. 2

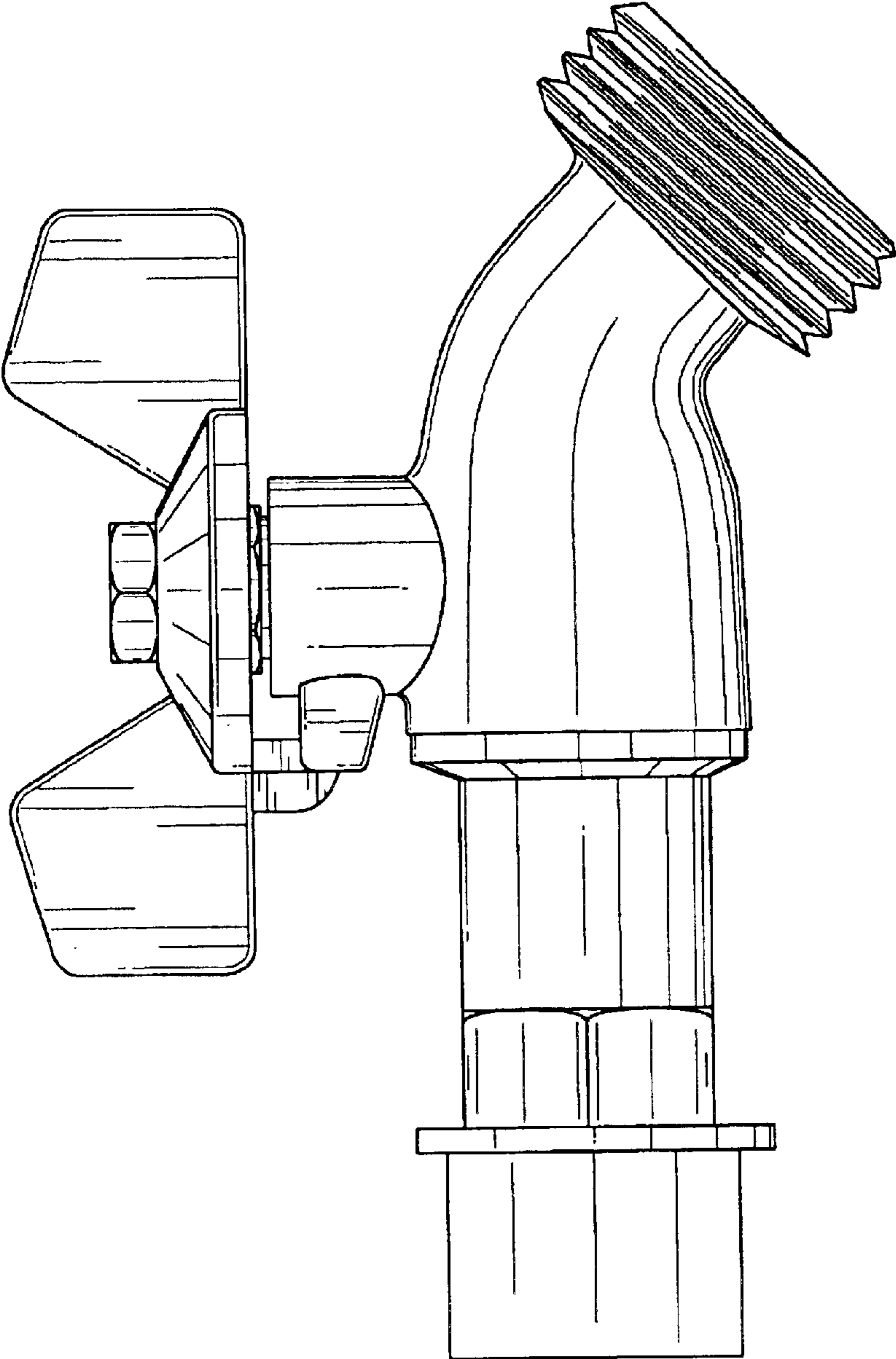


FIG. 4

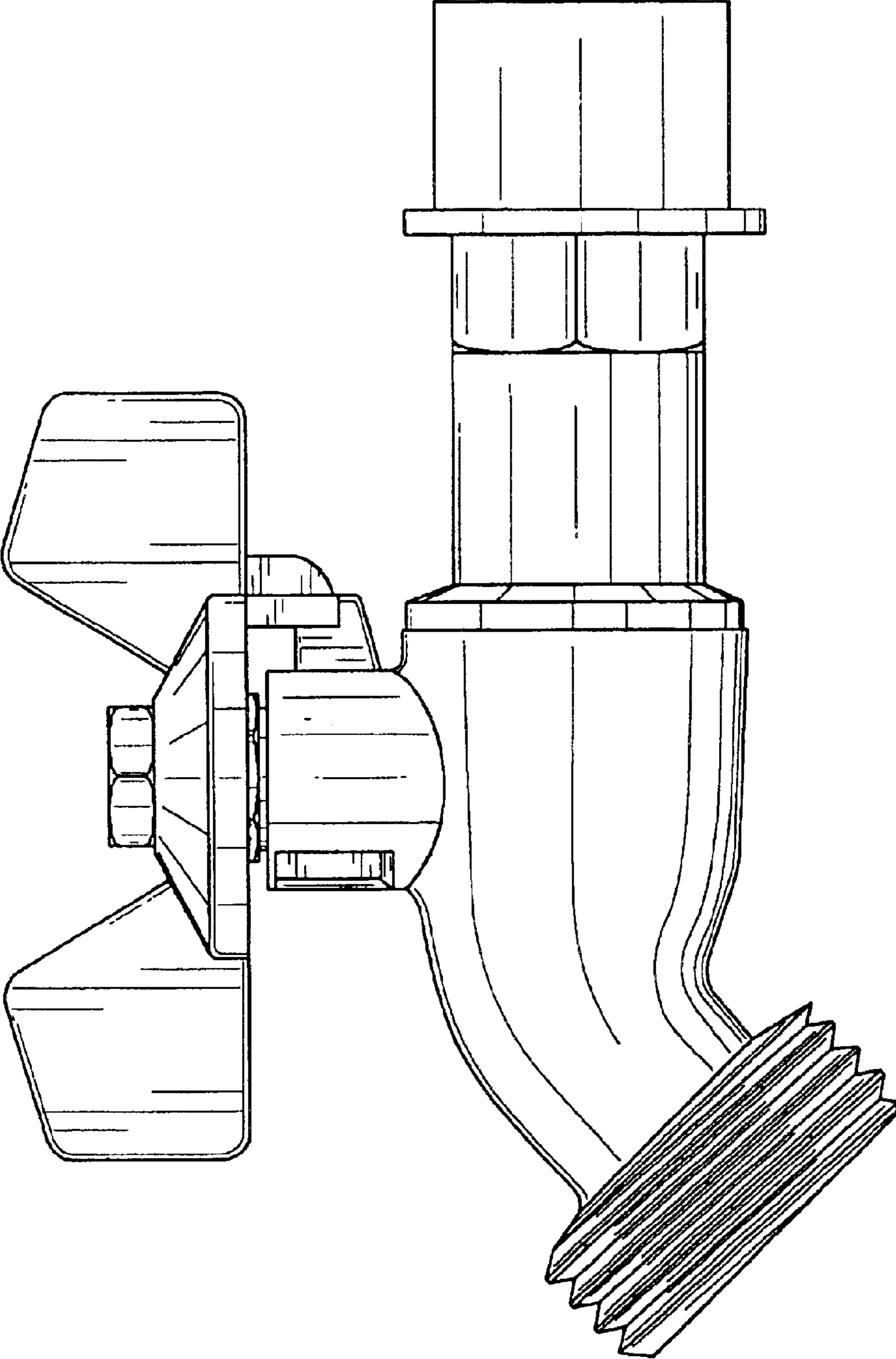


FIG. 5

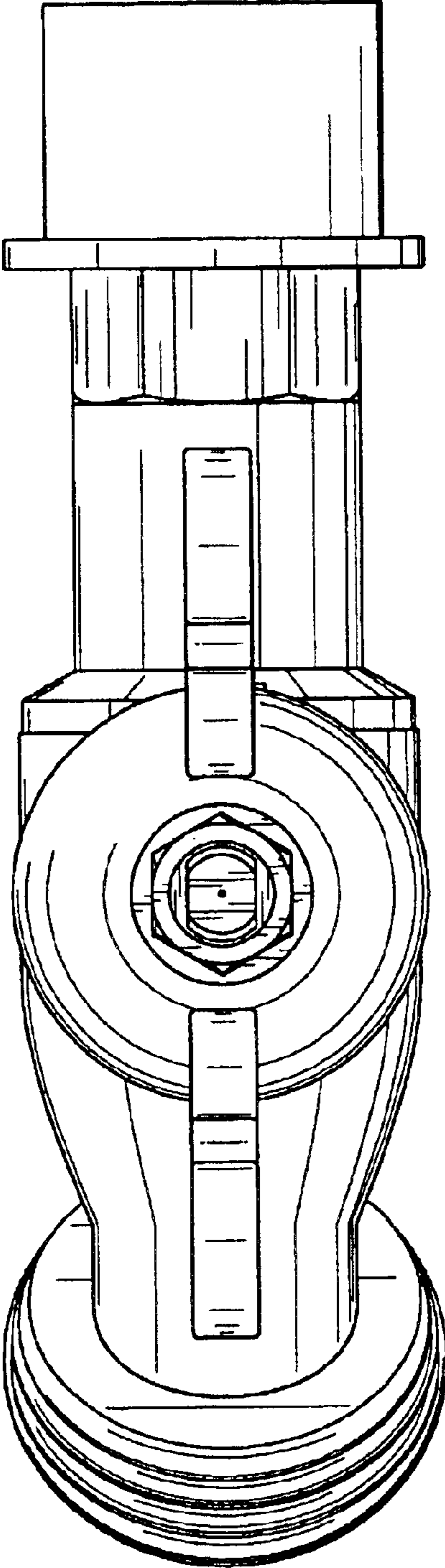


FIG. 6

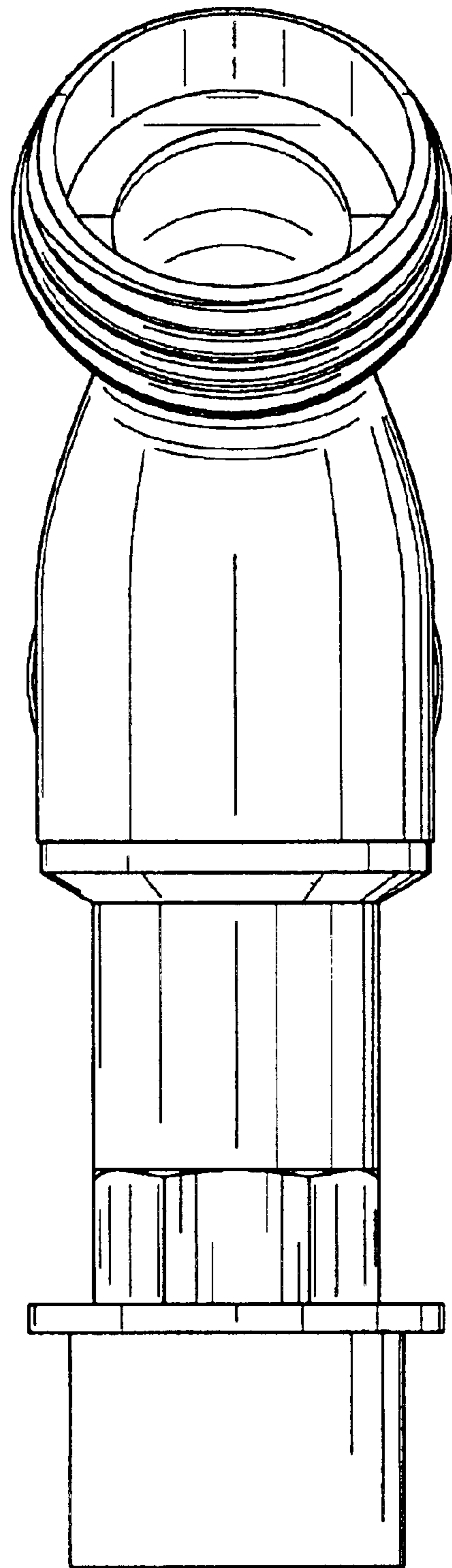


FIG. 7