

US00D500119S

(12) **United States Design Patent** (10) **Patent No.:** **US D500,119 S**
Gaignet et al. (45) **Date of Patent:** **** Dec. 21, 2004**

(54) **APPARATUS FOR THE PURIFICATION OF WATER**

(75) Inventors: **Yves Gaignet**, Montigny le Bretonneux (FR); **Denis Daulasim**, Bois d'Arcy (FR); **Jacques Moulin**, Plaisir (FR)

(73) Assignee: **Millipore Corporation**, Billerica, MA (US)

(**) Term: **14 Years**

(21) Appl. No.: **29/202,772**

(22) Filed: **Apr. 5, 2004**

Related U.S. Application Data

(62) Division of application No. 29/178,443, filed on Mar. 26, 2003, now Pat. No. Des. 491,631.

(30) **Foreign Application Priority Data**

Sep. 26, 2002 (FR) 02 5760

(51) **LOC (7) Cl.** **23-01**

(52) **U.S. Cl.** **D23/207**

(58) **Field of Search** D23/207, 209; 210/435, 469, 474

(56) **References Cited**

U.S. PATENT DOCUMENTS

D408,887 S	4/1999	Hagen	D23/209
D414,240 S	9/1999	Kool et al.	D23/207
D473,281 S	4/2003	Jansson et al.	D23/207

OTHER PUBLICATIONS

Millipore Catalogue—MSP000982 Milli-Q Element System 230 V/50 Hz1pk—Website printout 2003.

Primary Examiner—Robin V. Taylor

(74) *Attorney, Agent, or Firm*—Niels & Lemack

(57) **CLAIM**

The ornamental design for apparatus for the purification of water, as shown.

DESCRIPTION

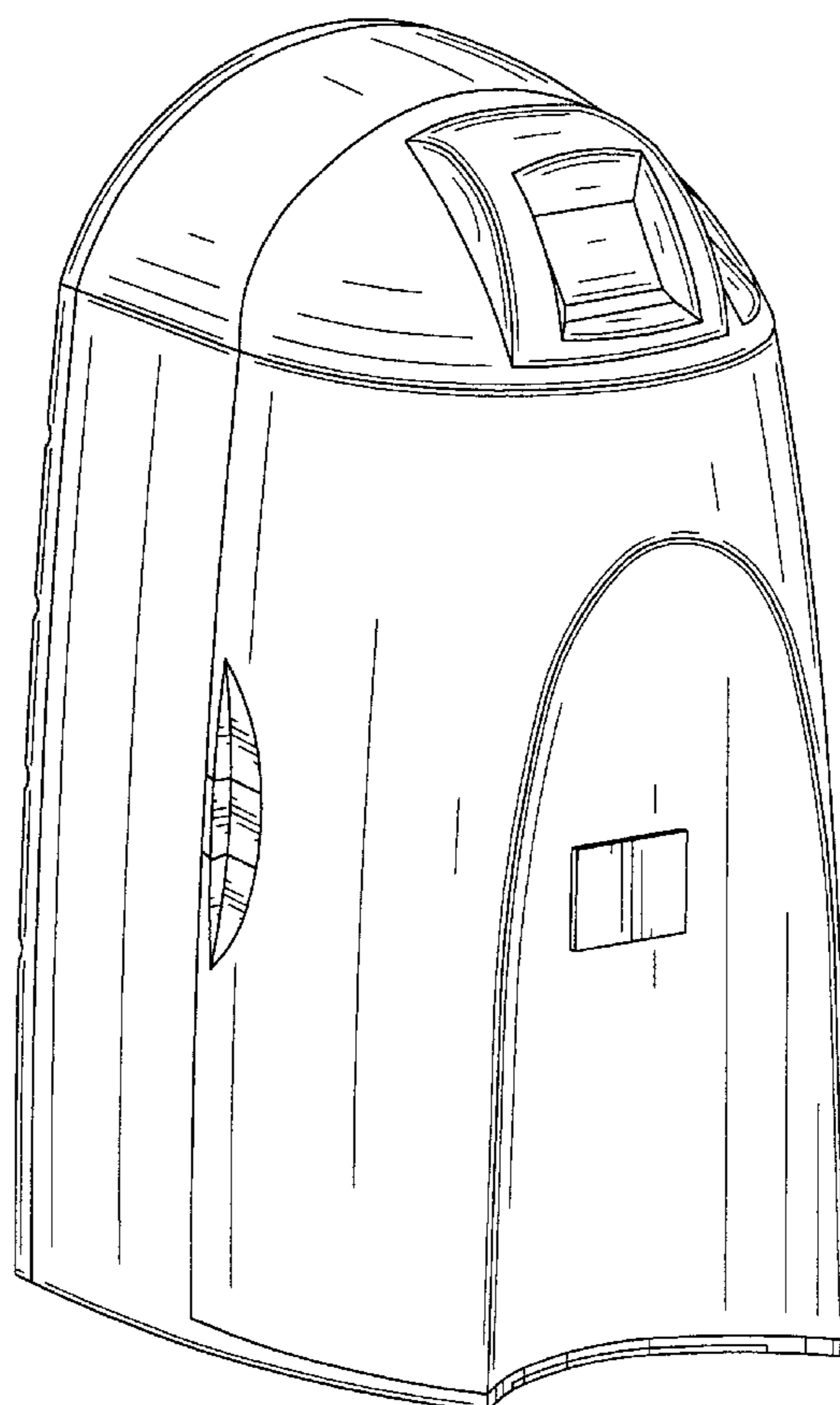
FIG. 1 is a perspective view from a forward angle of a second embodiment of the apparatus of the present invention;

FIG. 2 is a perspective view from another forward angle of a second embodiment of the apparatus of the present invention;

FIG. 3 is a rear view thereof; and,

FIG. 4 is a bottom view thereof.

1 Claim, 4 Drawing Sheets



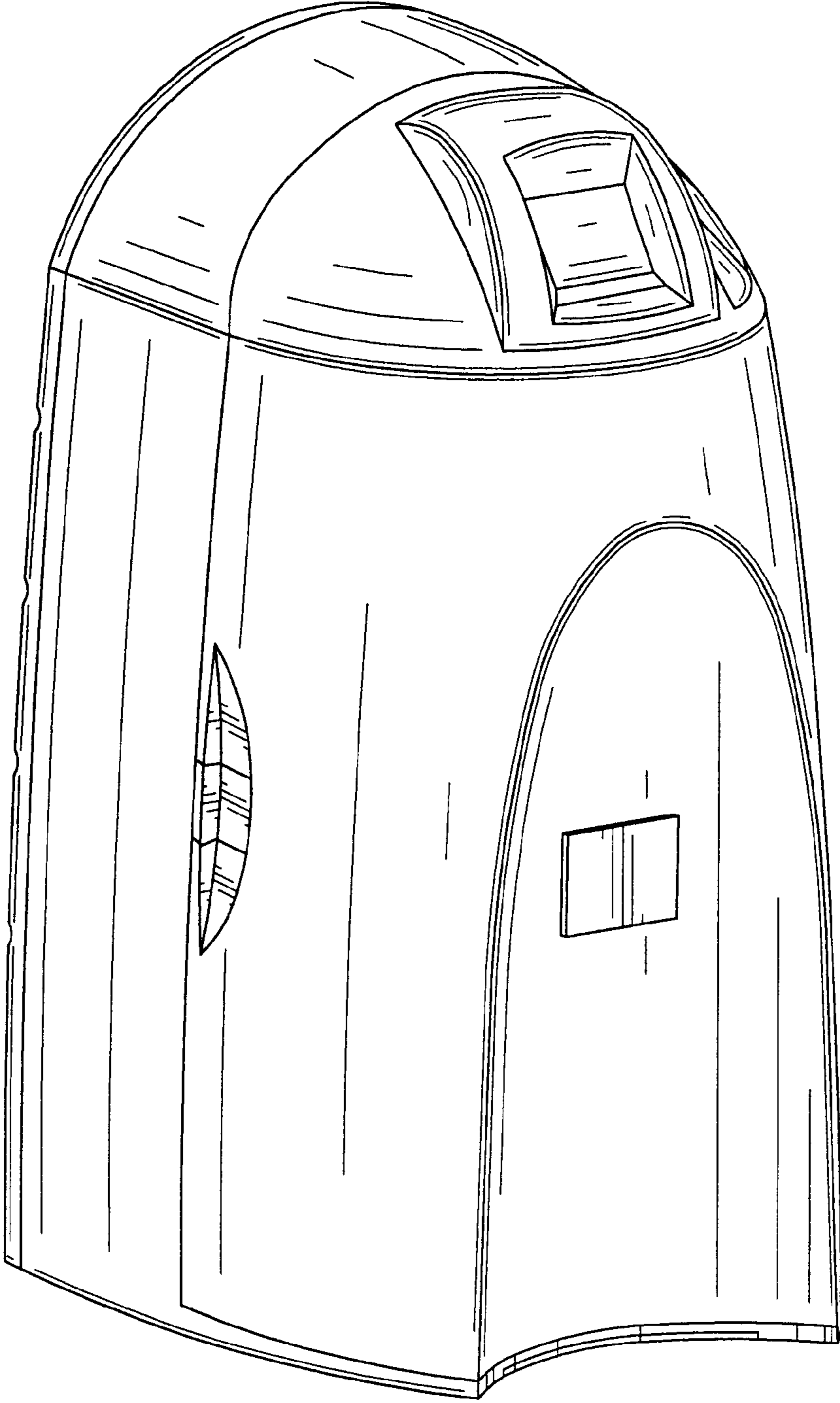


FIG. 1

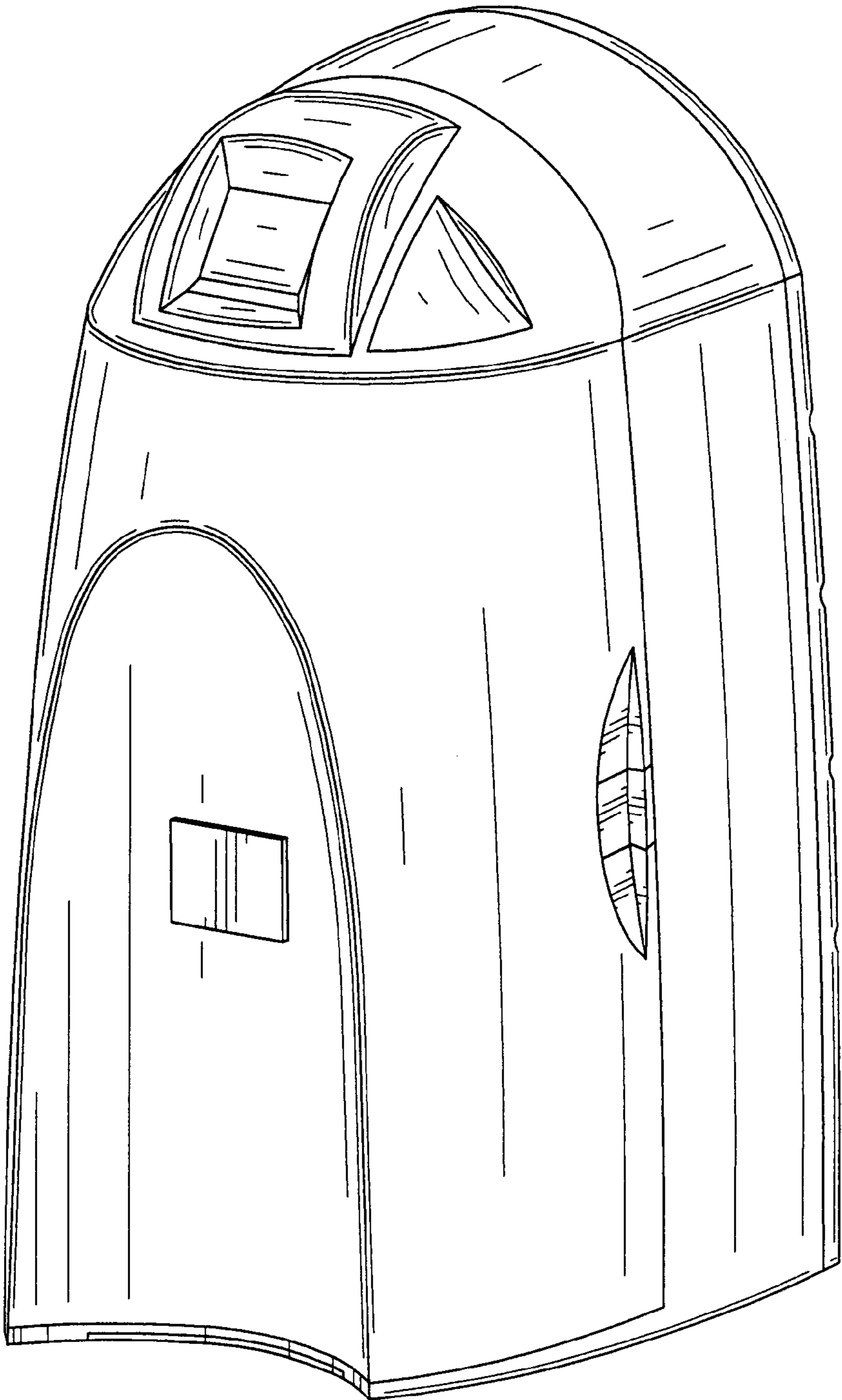


FIG. 2

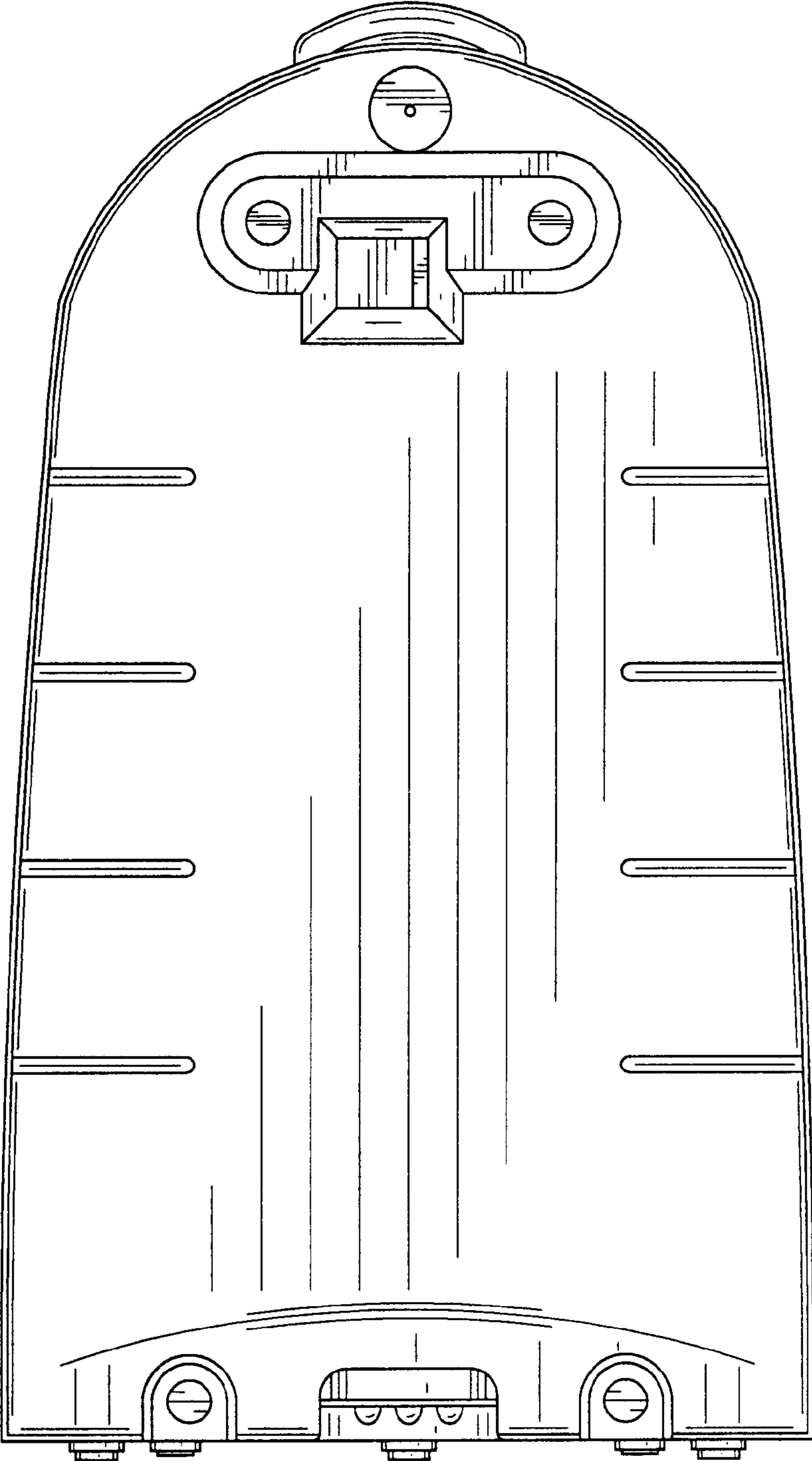


FIG. 3

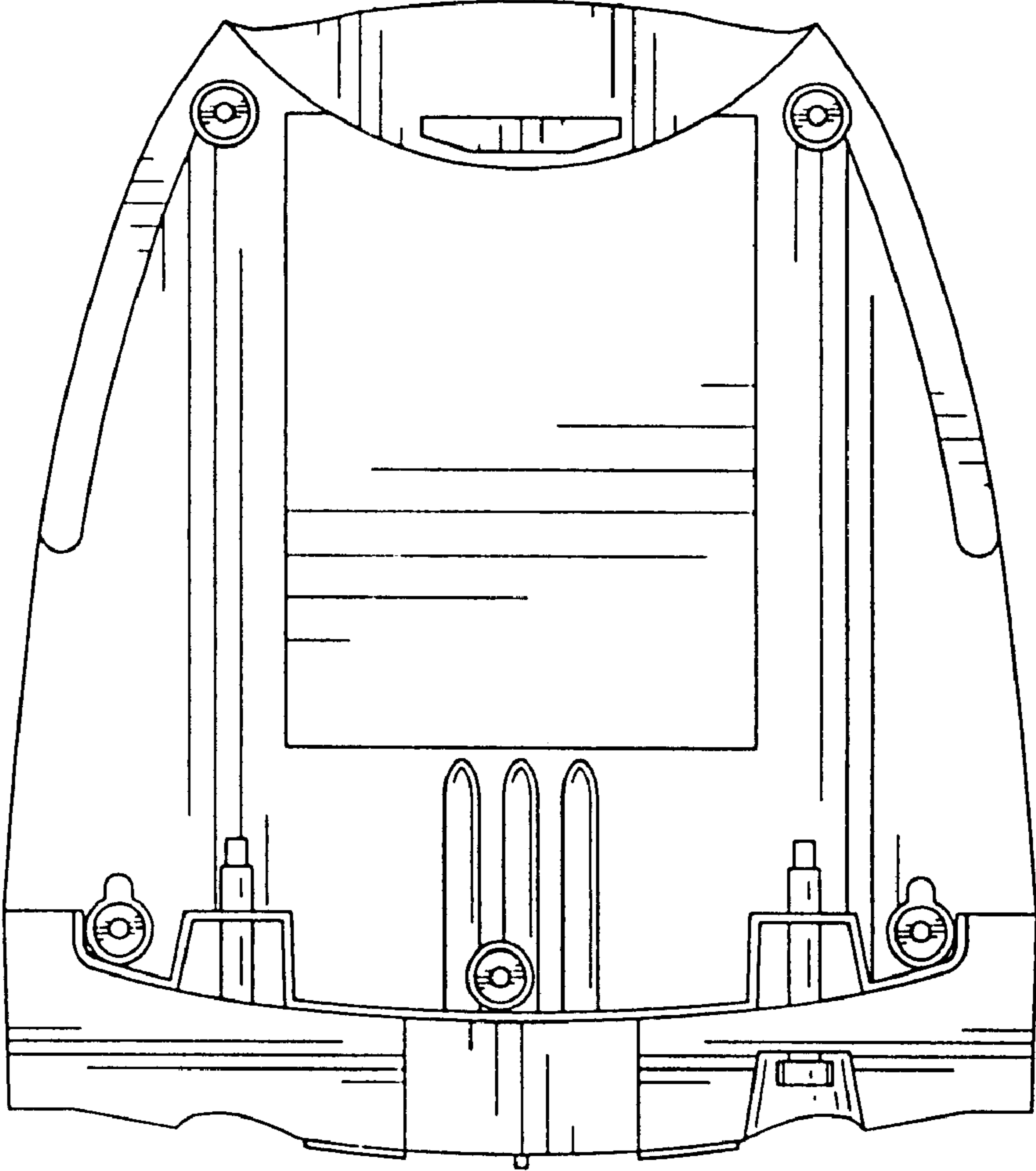


FIG. 4