

US00D500118S

(12) **United States Design Patent**
Flick

(10) **Patent No.:** **US D500,118 S**
(45) **Date of Patent:** **** Dec. 21, 2004**

(54) **MAGNETIC TREATMENT DEVICE FOR FLUIDS**

5,942,161 A 8/1999 Pate 261/91

(List continued on next page.)

(75) Inventor: **Kenneth E. Flick**, Douglasville, GA (US)

FOREIGN PATENT DOCUMENTS

(73) Assignee: **Omega Patents, L.L.C.**, Douglasville, GA (US)

EP	2702756	7/1978	C02F/1/48
JP	361125486 A	6/1986		
JP	362107752 A	5/1987		
JP	1148175 A	6/1989	A23L/3/26
JP	1257473 A	10/1989	C12H/1/16

(**) Term: **14 Years**

OTHER PUBLICATIONS

(21) Appl. No.: **29/202,333**

Playboy Magazine, Oct. 1987, p. 184, "Magnetic Attraction".

(22) Filed: **Mar. 30, 2004**

Buy-A-Mag Company, Magnetic Cups, available at www.buyamag.com/cgi-bin/html/magnetic_cup.htm.

Related U.S. Application Data

MagnetiCare, Rejuv Magnetic Liquid, available at www.rx-magnets.com.

(63) Continuation of application No. 10/164,750, filed on Jun. 6, 2002, and a continuation of application No. 10/368,704, filed on Feb. 18, 2003.

Giovanni Cosmetics, Magnetic Energizing Shampoo, available at www.pacwestserv.com/haircare10.htm.

(51) **LOC (7) Cl.** **23-01**

(52) **U.S. Cl.** **D23/207; D32/55**

(58) **Field of Search** **D23/207, 209; D32/55; D7/403; 426/237; 210/222, 223, 695; 335/302, 306**

Primary Examiner—Robin V. Taylor

(74) *Attorney, Agent, or Firm*—Allen, Dyer, Doppelt, Milbrath & Gilchrist, P.A.

(56) **References Cited**

(57) **CLAIM**

U.S. PATENT DOCUMENTS

The ornamental design for a magnetic treatment device for fluids, as shown and described.

824,320 A	6/1906	Weitzmann	426/237
3,831,743 A	8/1974	Leedy	206/338
4,605,498 A	8/1986	Kulish	210/222
4,872,401 A	10/1989	Lee	99/275
4,888,113 A	12/1989	Holcomb	210/222
4,999,106 A	3/1991	Schindler	210/222
5,113,751 A	5/1992	Holcomb et al.	99/286
5,248,437 A	9/1993	Forrest	210/695
5,304,302 A	4/1994	Bossert	210/222
5,411,143 A *	5/1995	Greene	210/222
5,500,121 A	3/1996	Thornton et al.	210/222
5,556,654 A	9/1996	Fregeau	426/234
5,571,481 A	11/1996	Powell et al.	422/104
5,766,461 A	6/1998	Kämpf	210/222
5,804,068 A	9/1998	Reed	210/222
5,860,353 A	1/1999	Ceccarani	99/277.1
5,891,331 A	4/1999	Yang	210/222

DESCRIPTION

FIG. 1 is a perspective view of a first embodiment of the magnetic treatment device for fluids showing my new design with broken lines being for illustrative purposes and forming no part of the claimed design;

FIG. 2 is a top plan view of the first embodiment;

FIG. 3 is a bottom plan view of the first embodiment;

FIG. 4 is a side elevational view of the first embodiment;

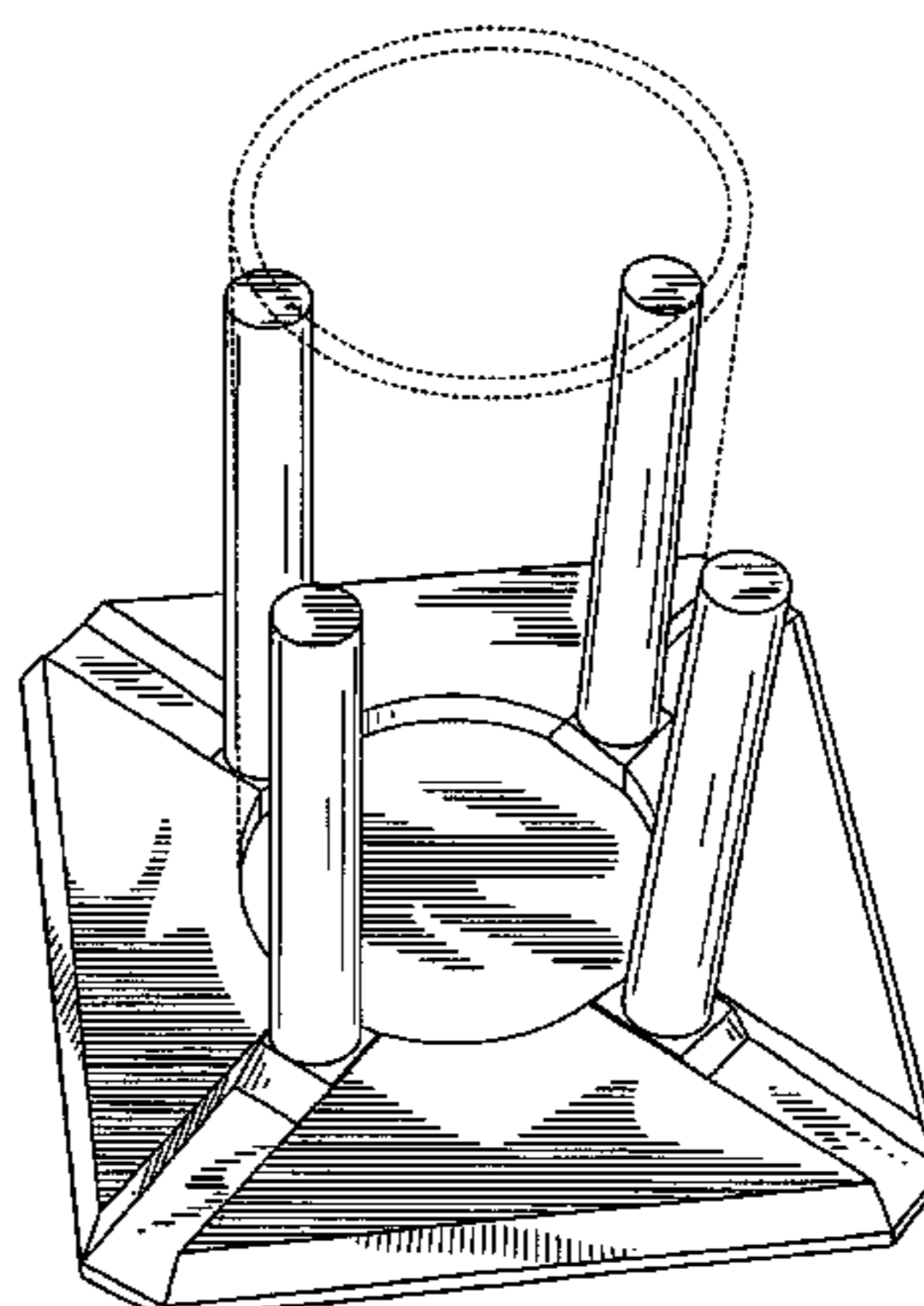
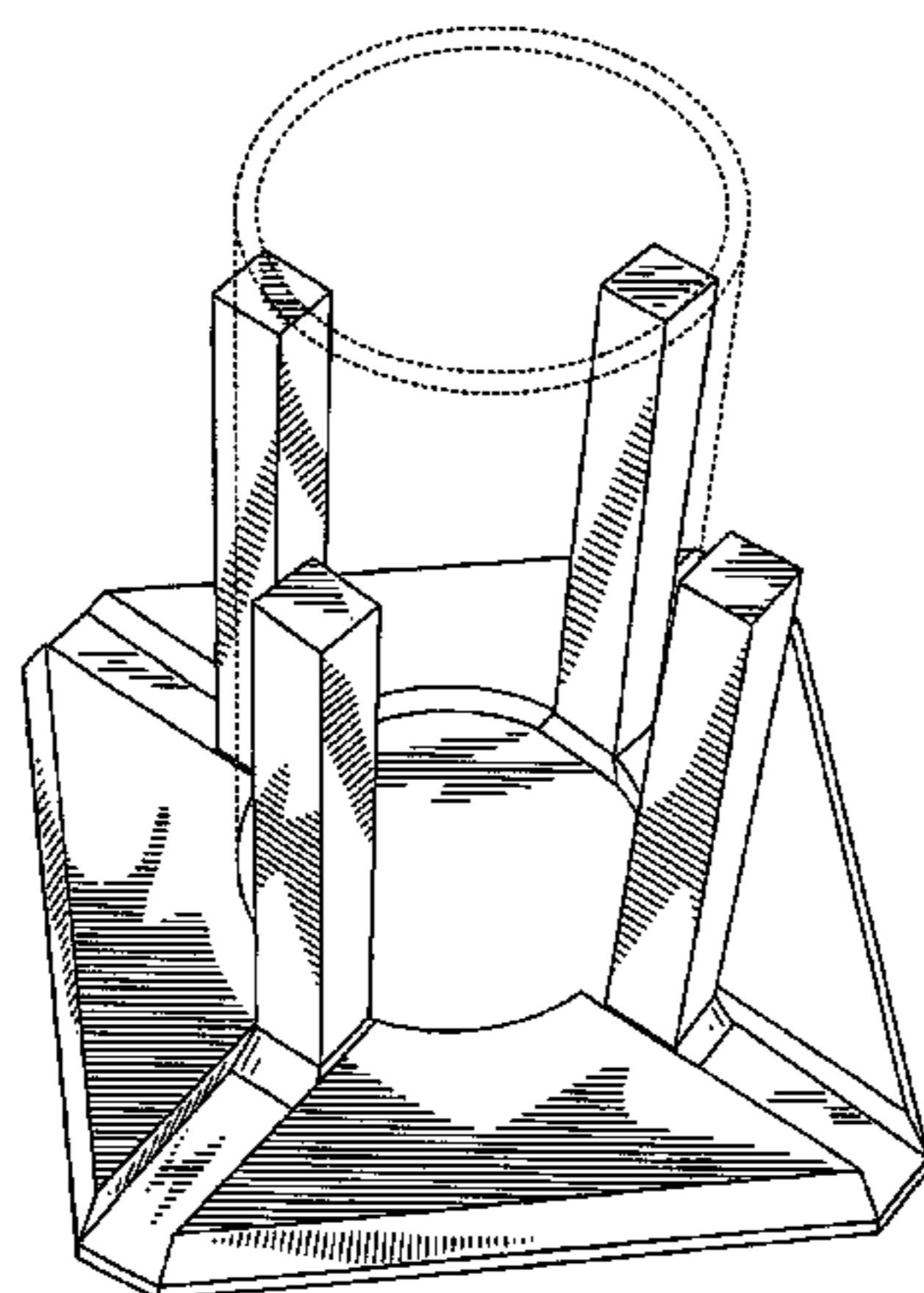
FIG. 5 is a top perspective view of a second embodiment of the magnetic treatment device showing my new design;

FIG. 6 is a top plan view of the second embodiment;

FIG. 7 is a bottom plan view of the second embodiment; and,

FIG. 8 is a side elevational view of the second embodiment.

1 Claim, 8 Drawing Sheets



US D500,118 S

Page 2

U.S. PATENT DOCUMENTS

6,022,479	A	2/2000	Smirnov	210/695	6,325,942	B1	12/2001	Freije, III	210/695
6,190,517	B1	* 2/2001	Davis et al.	204/298.16	6,390,319	B1	5/2002	Yu	220/230
6,193,892	B1	* 2/2001	Krueger et al.	210/695	D465,891	S	* 11/2002	Brown	D32/55
6,287,614	B1	9/2001	Peiffer	426/237	6,716,346	B1	* 4/2004	Chang	210/222
6,305,656	B1	10/2001	Wemyss	248/309.4	6,758,968	B2	* 7/2004	Ashton	210/222
6,319,913	B1	11/2001	Mak et al.	514/179						

* cited by examiner

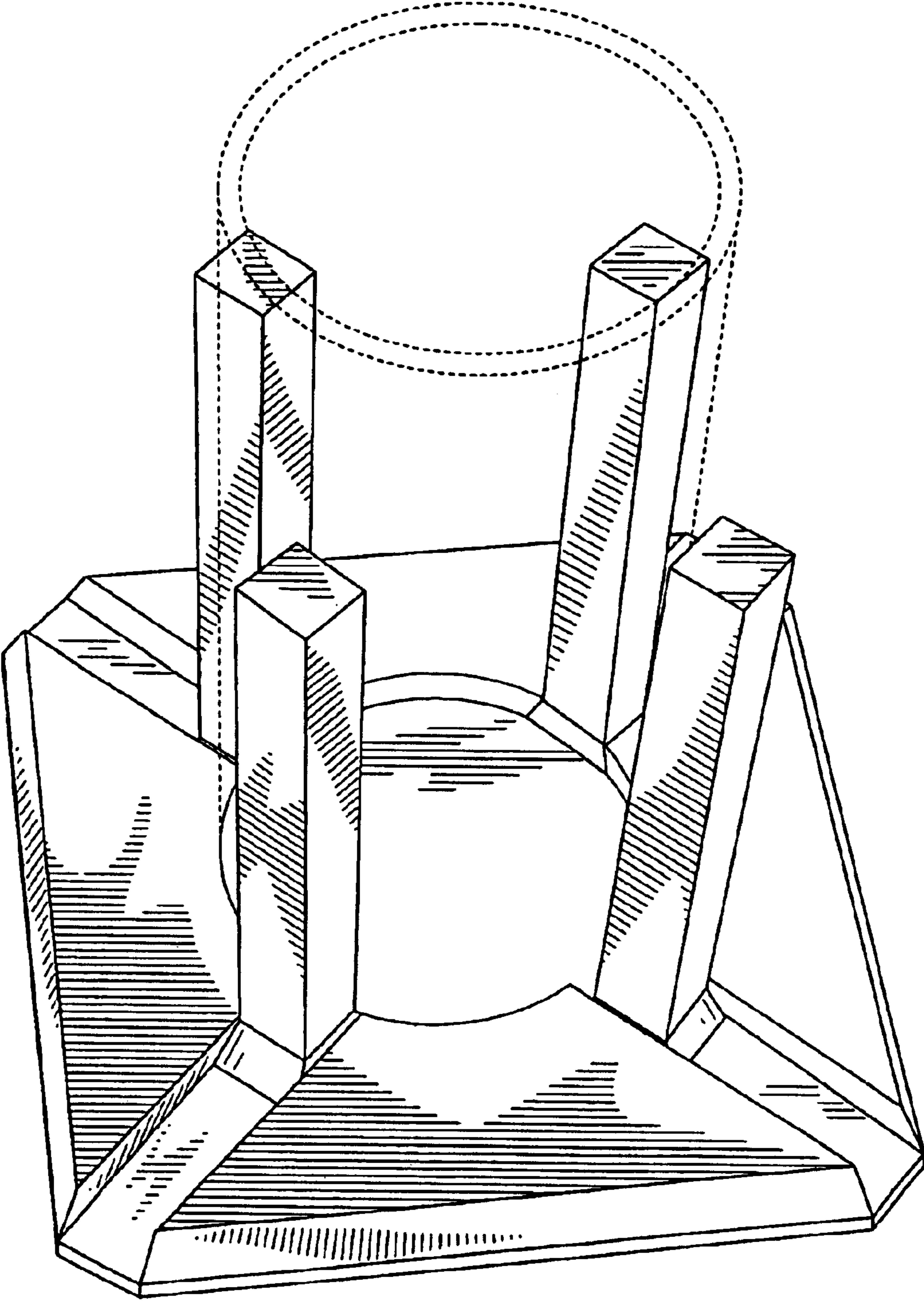


FIGURE 1

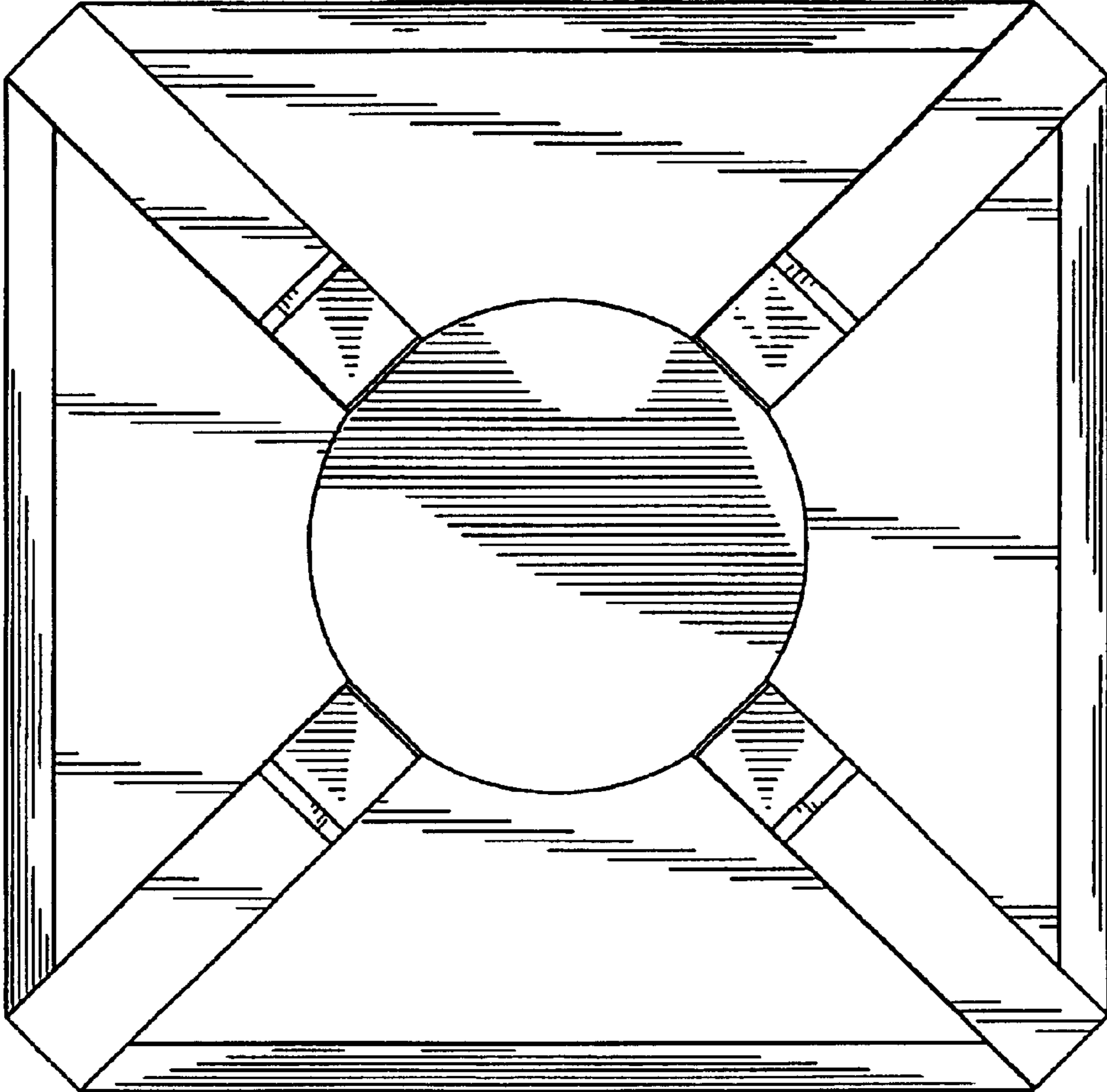


FIGURE 2

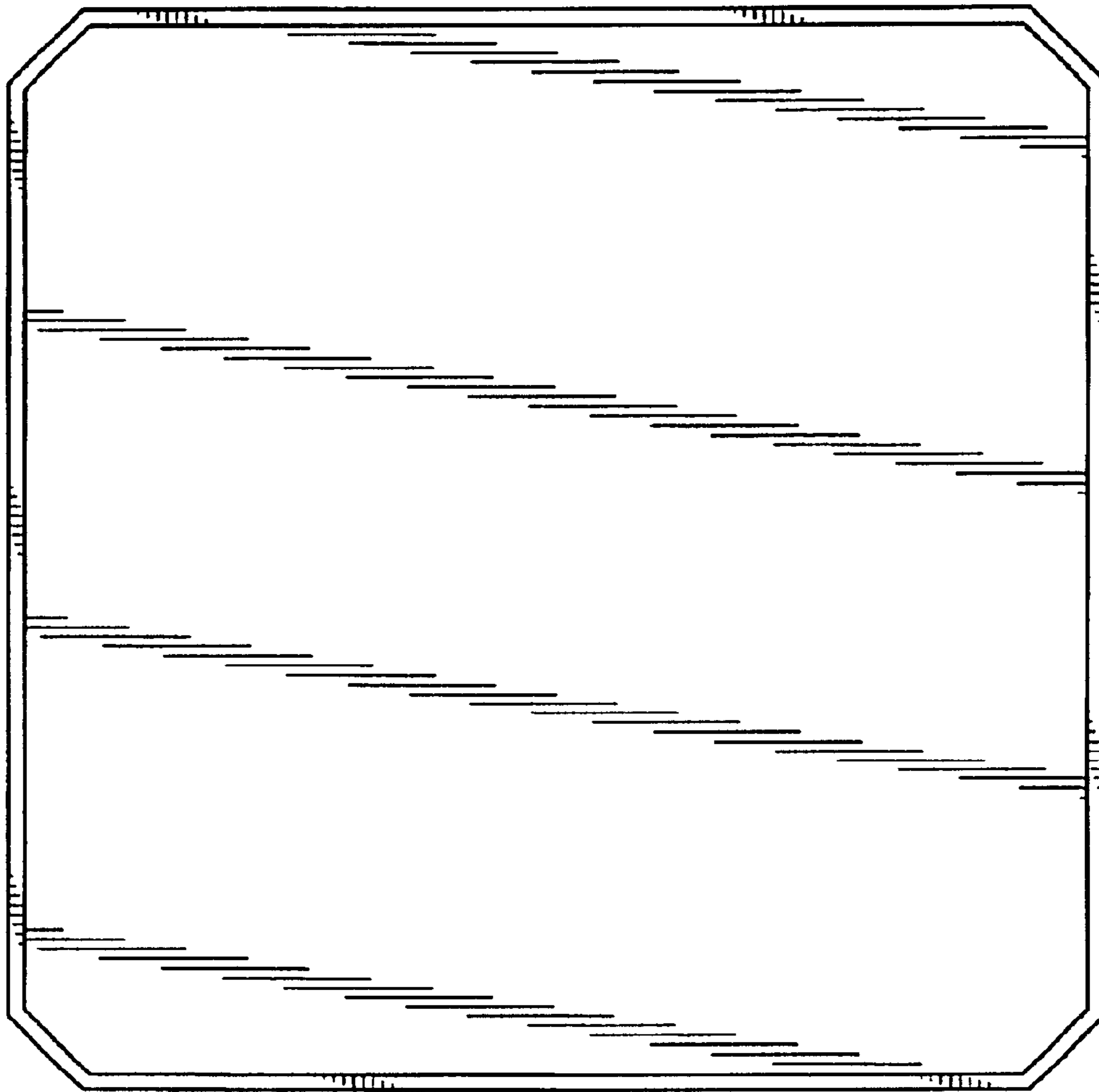


FIGURE 3

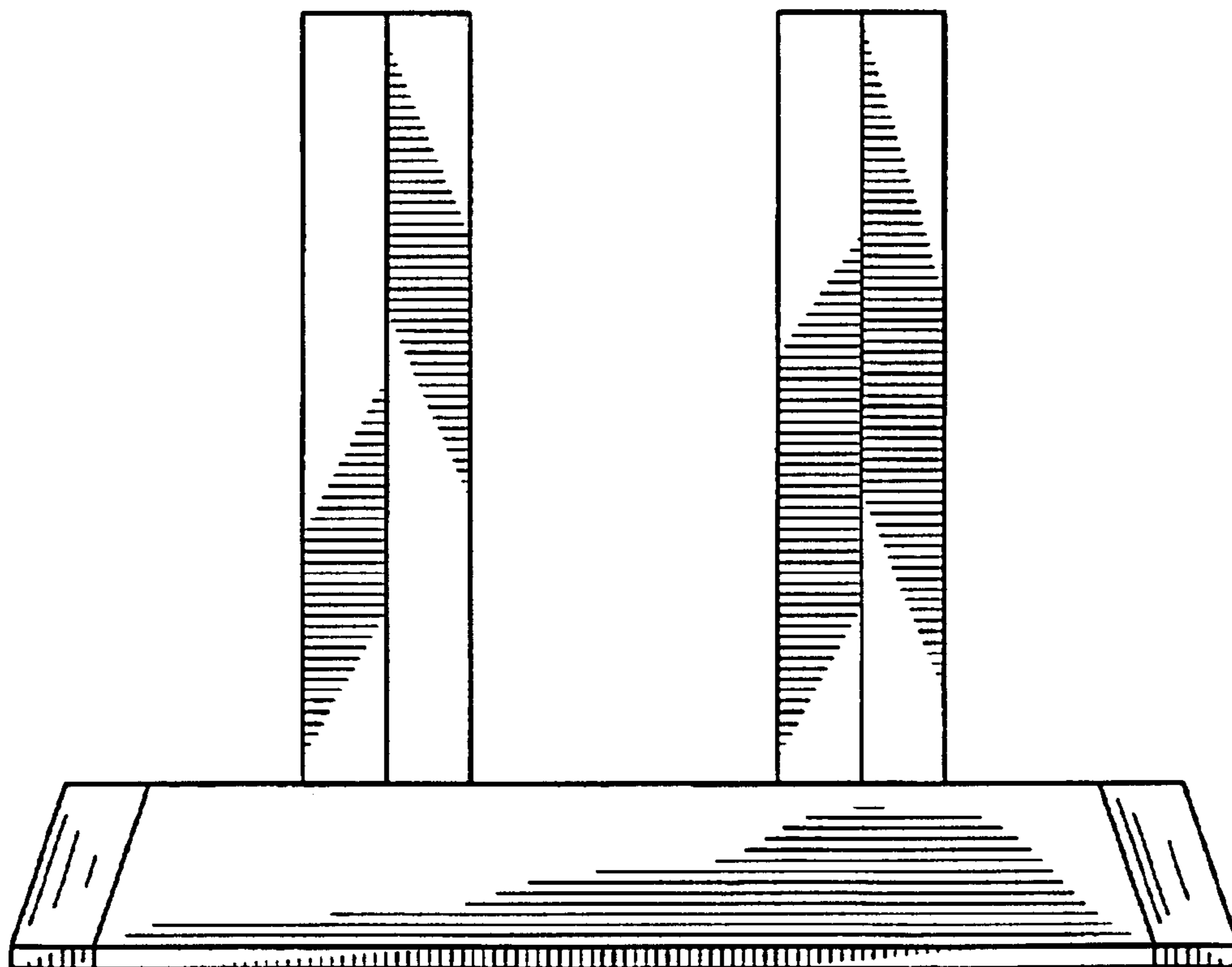


FIGURE 4

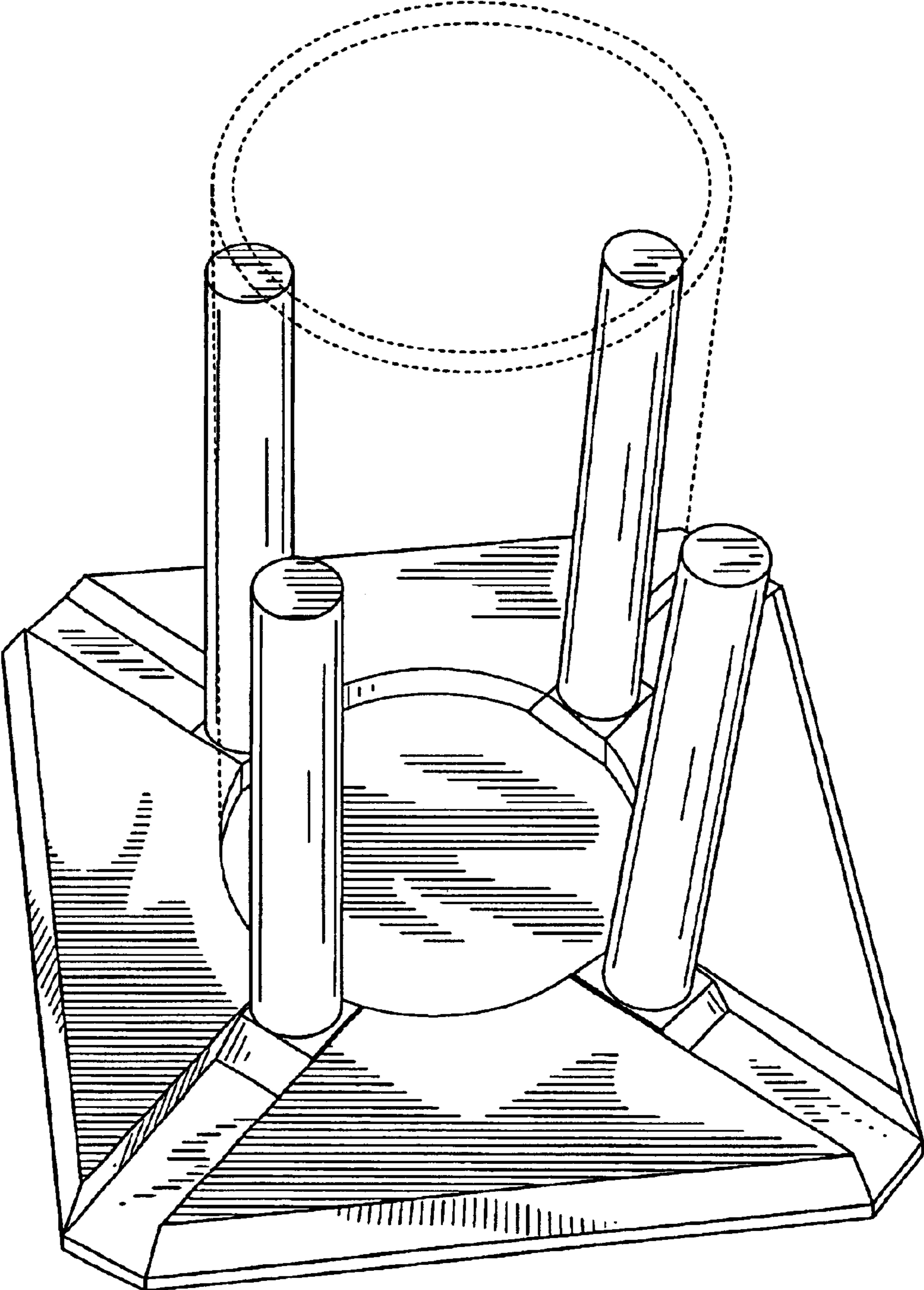


FIGURE 5

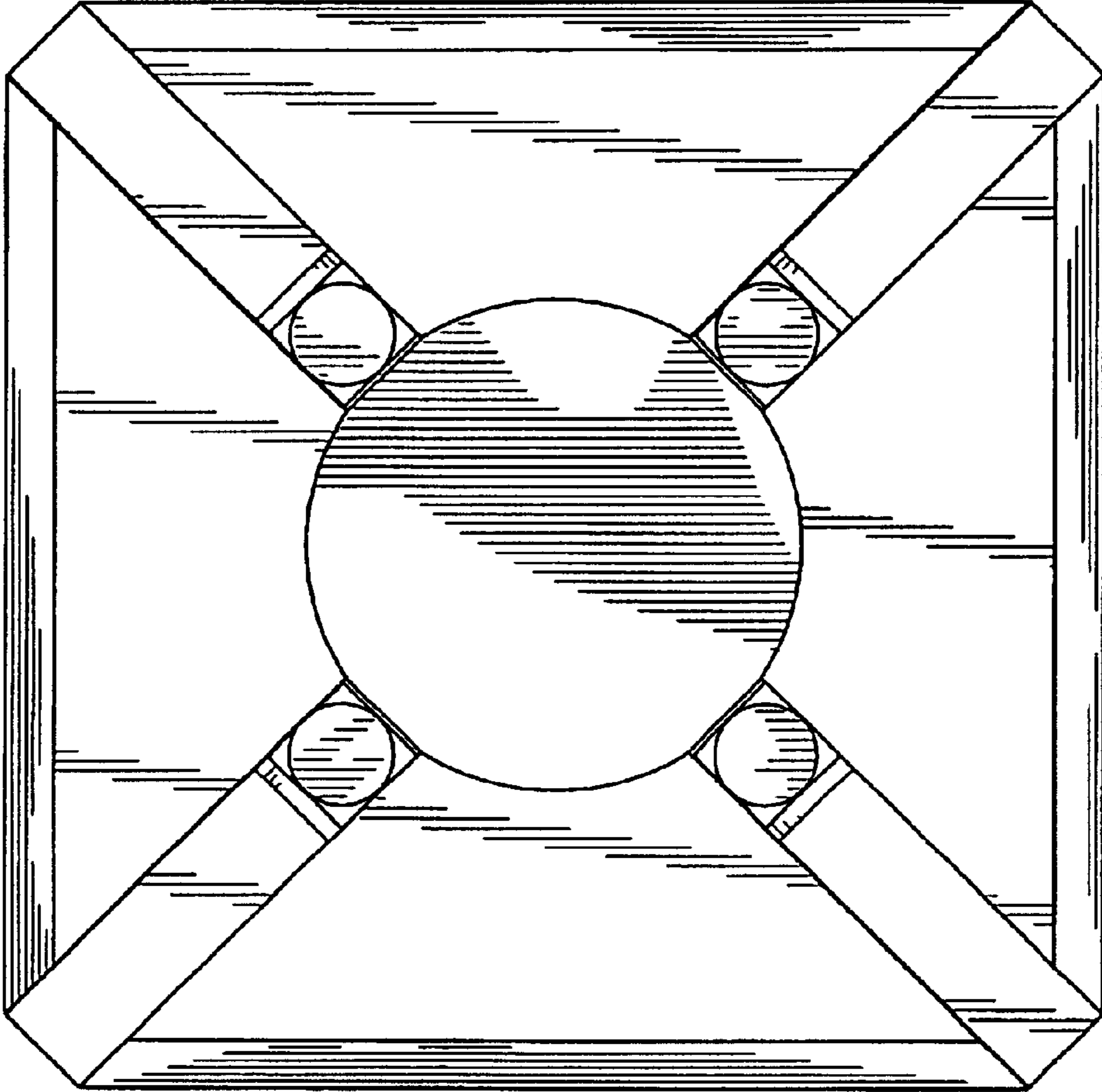


FIGURE 6

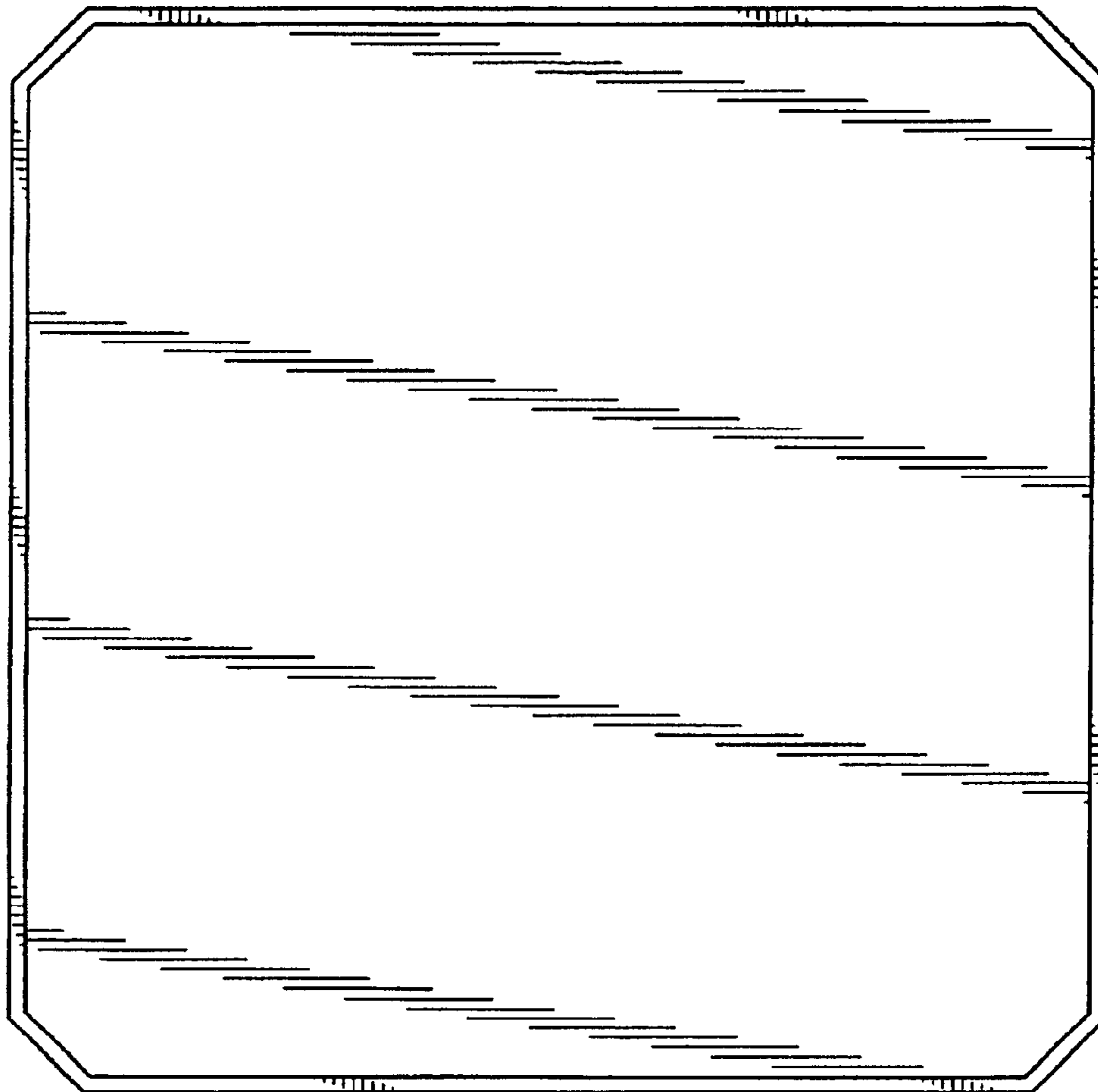


FIGURE 7

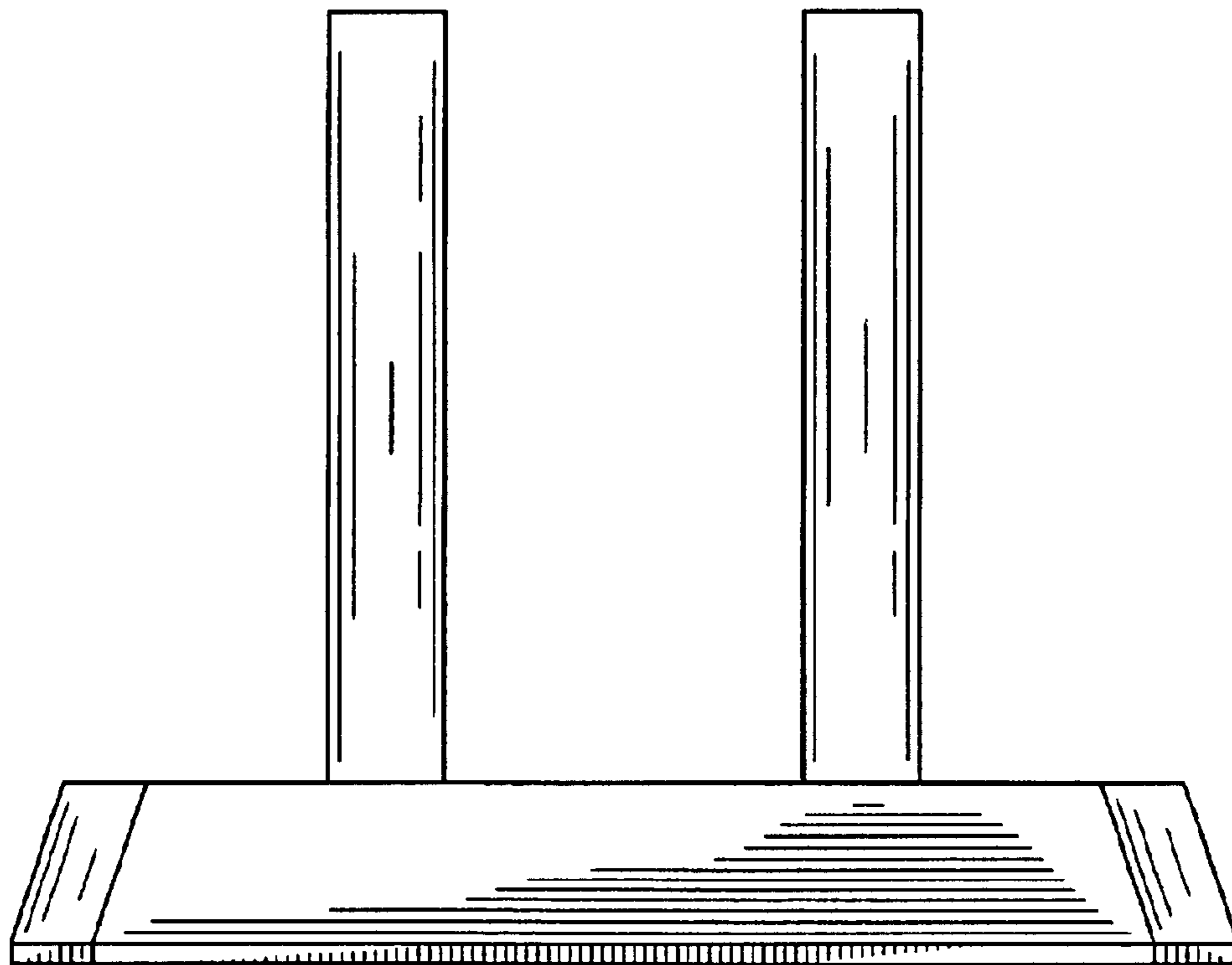


FIGURE 8