

US00D500114S

(12) **United States Design Patent** (10) **Patent No.:** **US D500,114 S**
Oz (45) **Date of Patent:** **** Dec. 21, 2004**

(54) **ACCESSORY RAIL FOR THE HAND GUARD OF A GUN**

(75) Inventor: **David Oz**, London (GB)

(73) Assignee: **TDI Arms Systems Ltd.**, Petah Tikva (IL)

(**) Term: **14 Years**

(21) Appl. No.: **29/181,393**

(22) Filed: **May 9, 2003**

(30) **Foreign Application Priority Data**

Nov. 3, 2002 (IL) 37156

(51) **LOC (7) Cl.** **22-01**

(52) **U.S. Cl.** **D22/109**

(58) **Field of Search** D22/100, 108, D22/109, 110, 199; 42/85, 90, 105, 114, 124, 125, 143, 71.01, 72, 75.01, 75.02; 89/8, 14.1

(56) **References Cited**

U.S. PATENT DOCUMENTS

D232,232 S * 7/1974 Korzeniewski D22/109

5,941,489 A * 8/1999 Fanelli et al. 42/114
D435,885 S * 1/2001 Wallace D22/109
6,381,895 B1 * 5/2002 Keeney et al. 42/124
6,418,657 B1 * 7/2002 Brown 42/124
6,694,660 B1 * 2/2004 Davies 42/71.01

* cited by examiner

Primary Examiner—Louis S. Zarfaz
Assistant Examiner—Monica A. Weingart
(74) *Attorney, Agent, or Firm*—Robert L. Stone

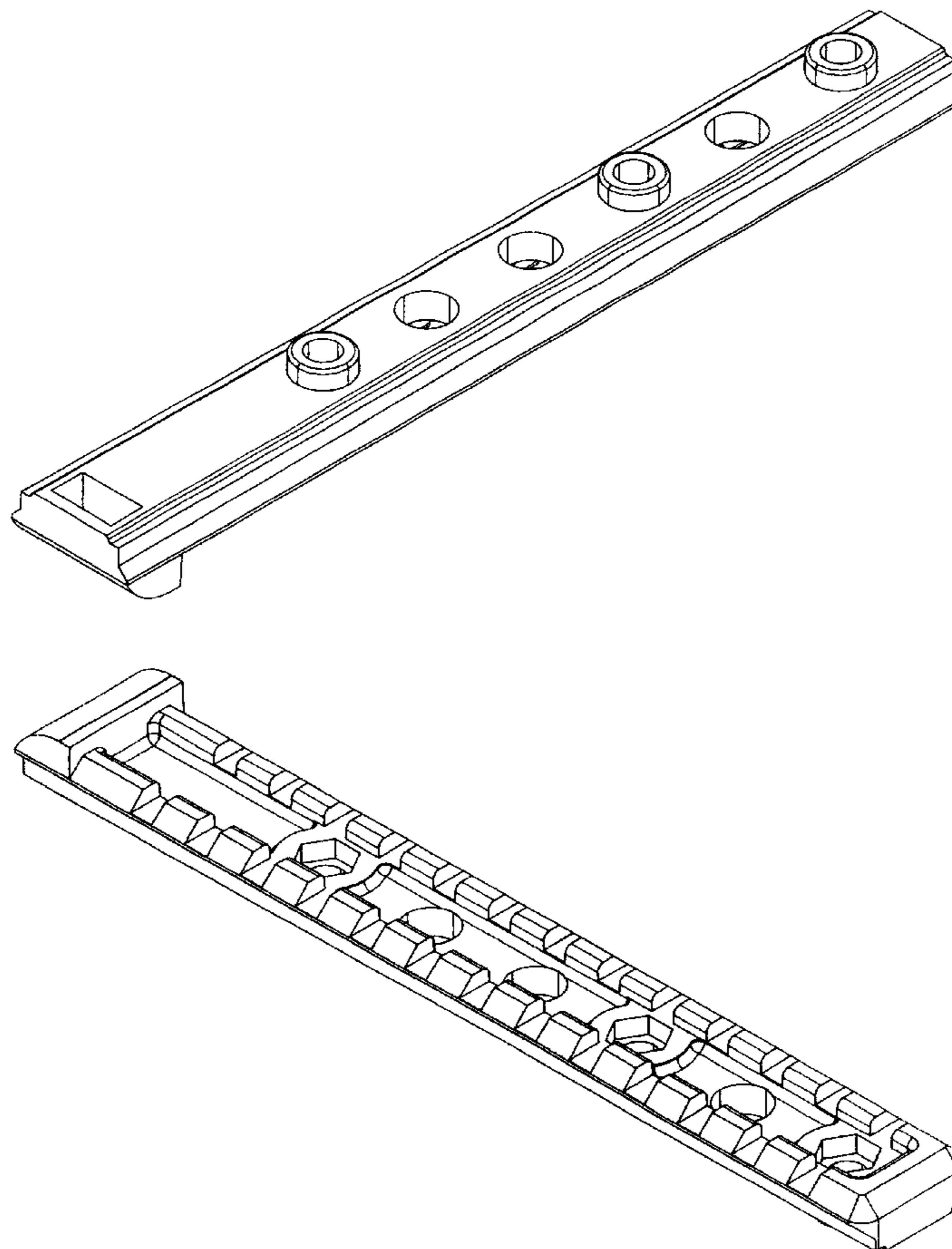
(57) **CLAIM**

The ornamental design for an accessory rail for the hand guard of a gun, as shown and described.

DESCRIPTION

FIG. 1 is a perspective view of the accessory rail for the hand guard of a gun shown on an enlarged scale.
FIG. 2 is a perspective view from below the accessory rail.
FIG. 3 is a top of view of the accessory rail.
FIG. 4 is a bottom view of the accessory rail; and,
FIG. 5 is a side view of the accessory rail.

1 Claim, 4 Drawing Sheets



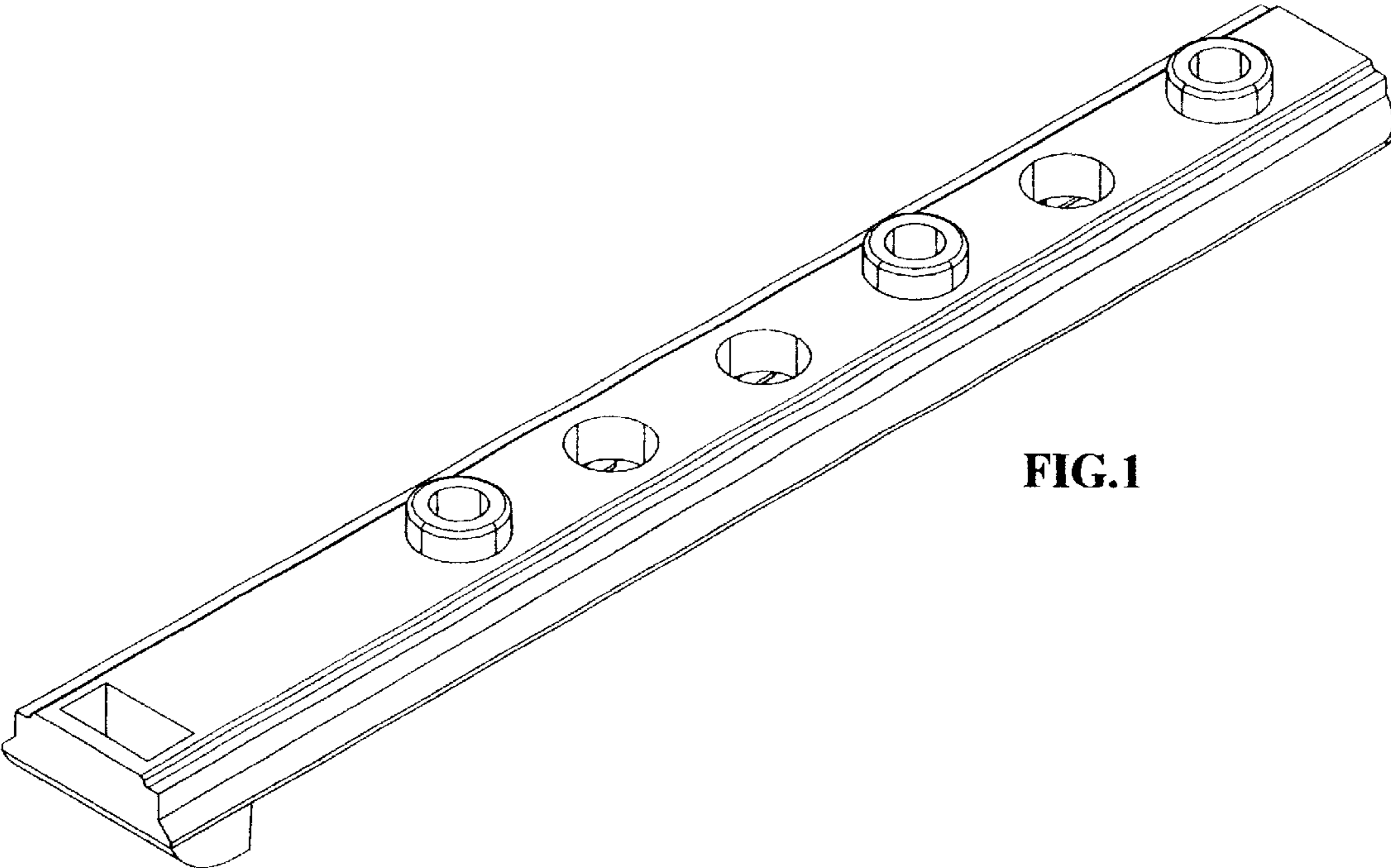


FIG.1

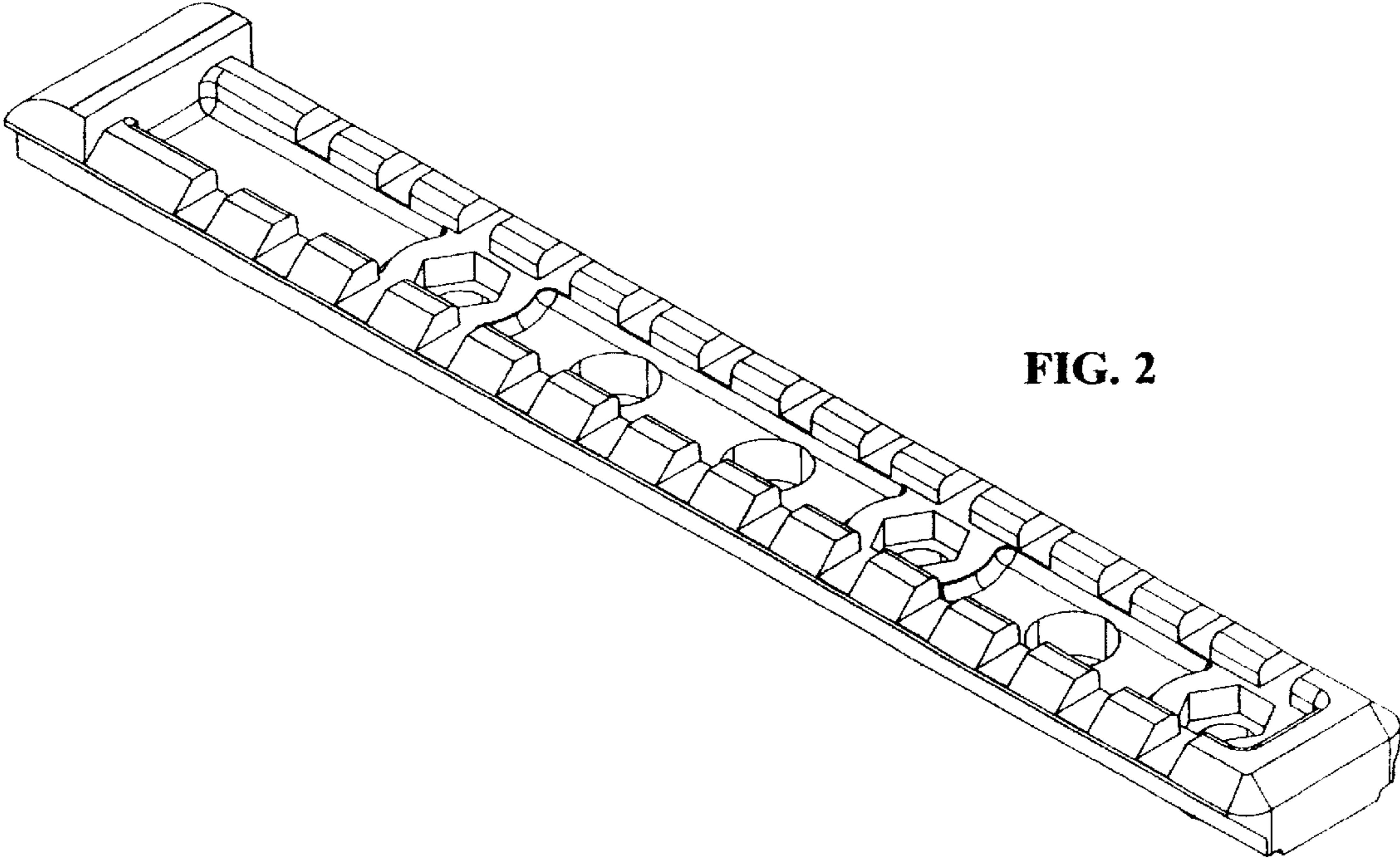


FIG. 2

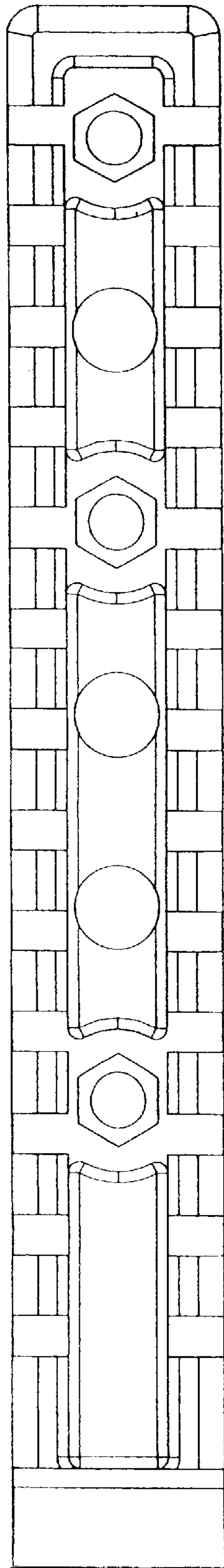


FIG. 3

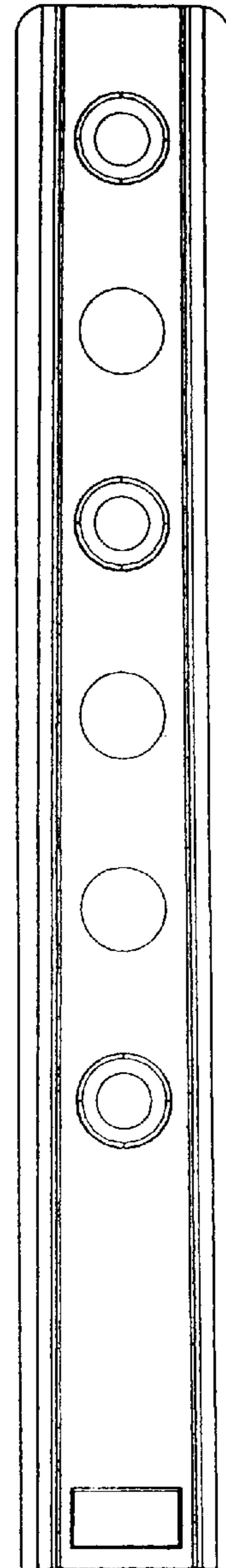


FIG. 4

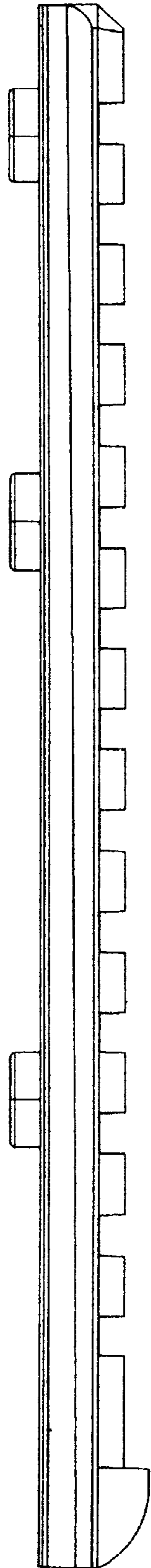


FIG. 5