



US00D500113S

(12) **United States Design Patent** (10) **Patent No.:** **US D500,113 S**  
**Frey et al.** (45) **Date of Patent:** **\*\* Dec. 21, 2004**

(54) **RIDING SURFACE OF AN ACTION SPORT RAMP**

(75) Inventors: **Wendy Frey**, Watontown, PA (US);  
**Craig Mellott**, Beavertown, PA (US);  
**Dale Miller**, Lewisburg, PA (US);  
**Kevin Owens**, Lewisburg, PA (US);  
**Eric Tritsch**, Spring Mills, PA (US)

(73) Assignee: **Huna Designs Ltd.**, Lewisburg, PA (US)

(\*\*) Term: **14 Years**

(21) Appl. No.: **29/185,424**

(22) Filed: **Jun. 26, 2003**

**Related U.S. Application Data**

(62) Division of application No. 29/163,361, filed on Jul. 3, 2002, now Pat. No. Des. 483,428.

(51) **LOC (7) Cl.** ..... **21-03**

(52) **U.S. Cl.** ..... **D21/817**

(58) **Field of Search** ..... D21/318, 385,  
D21/811, 814, 322, 817; 482/35, 36; 472/91;  
405/22, 52, 79

(56) **References Cited**

**U.S. PATENT DOCUMENTS**

D207,650 S	*	5/1967	Alarik .....	D21/817
D246,638 S		12/1977	Hegedus .....	D12/53
D257,874 S		1/1981	Sheehan et al. ....	D21/244
4,423,864 A		1/1984	Wiik .....	272/97
4,662,781 A		5/1987	Tinkler .....	405/79
D353,930 S		12/1994	Johnson .....	D34/32
D390,621 S		2/1998	Cosentino .....	D21/240
D414,526 S		9/1999	Kashani .....	D21/385
5,946,756 A		9/1999	Mapp .....	14/69.5
6,042,480 A		3/2000	Labelson .....	472/89
RE38,326 E	*	11/2003	Mapp .....	14/69.5
D483,428 S	*	12/2003	Frey et al. ....	D21/817
D483,831 S	*	12/2003	Frey et al. ....	D21/817
6,654,977 B1	*	12/2003	Chin .....	14/69.5
6,672,968 B2	*	1/2004	Montolio .....	472/89
D489,786 S	*	5/2004	Pratt .....	D21/817
D491,995 S	*	6/2004	Frey et al. ....	D21/817

**OTHER PUBLICATIONS**

Website page: <http://www.smackfu.com/photos/gravity-games/DSCF1365.JPG.html>, discovered on or around Jan. 17, 2002, printed Jun. 19, 2002.

Photograph from formerly active website: <http://www.richlite.com/skate/pic.cfm?pic=newpicbig>, accessed on or around Jan. 17, 2002.

Photographs from website: [www.woodwardcamp.com](http://www.woodwardcamp.com), accessed Jun. 19, 2002.

\* cited by examiner

*Primary Examiner*—Mitchell Siegel

(74) *Attorney, Agent, or Firm*—Drinker Biddle & Reath LLP

(57) **CLAIM**

The ornamental design for a riding surface of an action sport ramp, as shown and described.

**DESCRIPTION**

FIG. 1 is an isometric view of a riding surface of an action sport ramp embodying the design as applied to a wedge ramp.

FIG. 2 is a right side elevation view of the riding surface of an action sport ramp shown in FIG. 1.

FIG. 3 is a left side elevation view of the riding surface of an action sport ramp shown in FIG. 1.

FIG. 4 is a top plan view of the riding surface of an action sport ramp shown in FIG. 1.

FIG. 5 is an isometric view of the same embodiment of the riding surface of an action sport ramp as applied to a jump ramp.

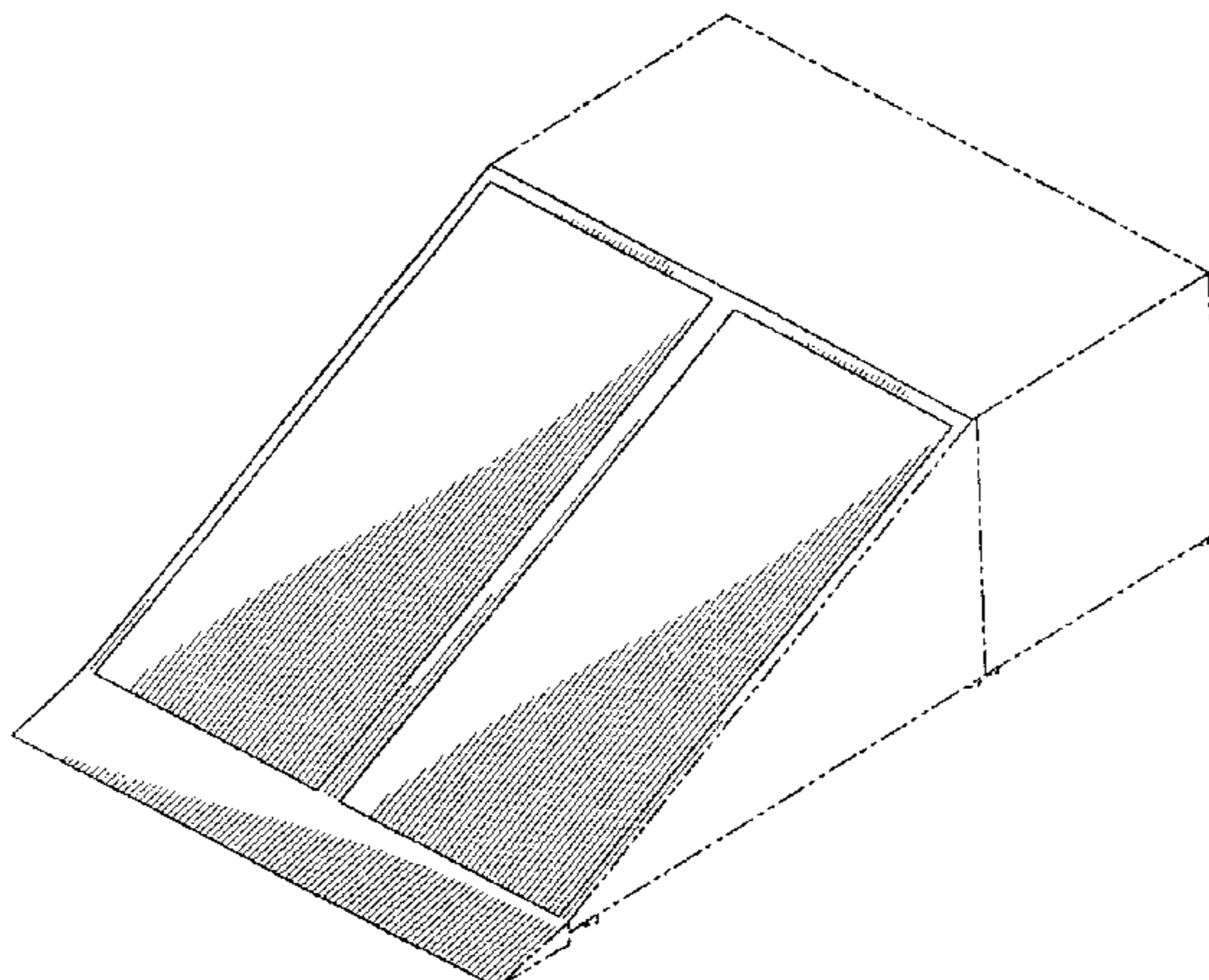
FIG. 6 is a right side elevation view of the riding surface of an action sport ramp shown in FIG. 5.

FIG. 7 is a left side elevation view of the riding surface of an action sport ramp shown in FIG. 5; and,

FIG. 8 is a top plan view of the riding surface of an action sport ramp shown in FIG. 5.

The bottoms and back sides of the action sport ramps neither shown in the drawings nor described in the specification form no part of the claimed design.

**1 Claim, 4 Drawing Sheets**



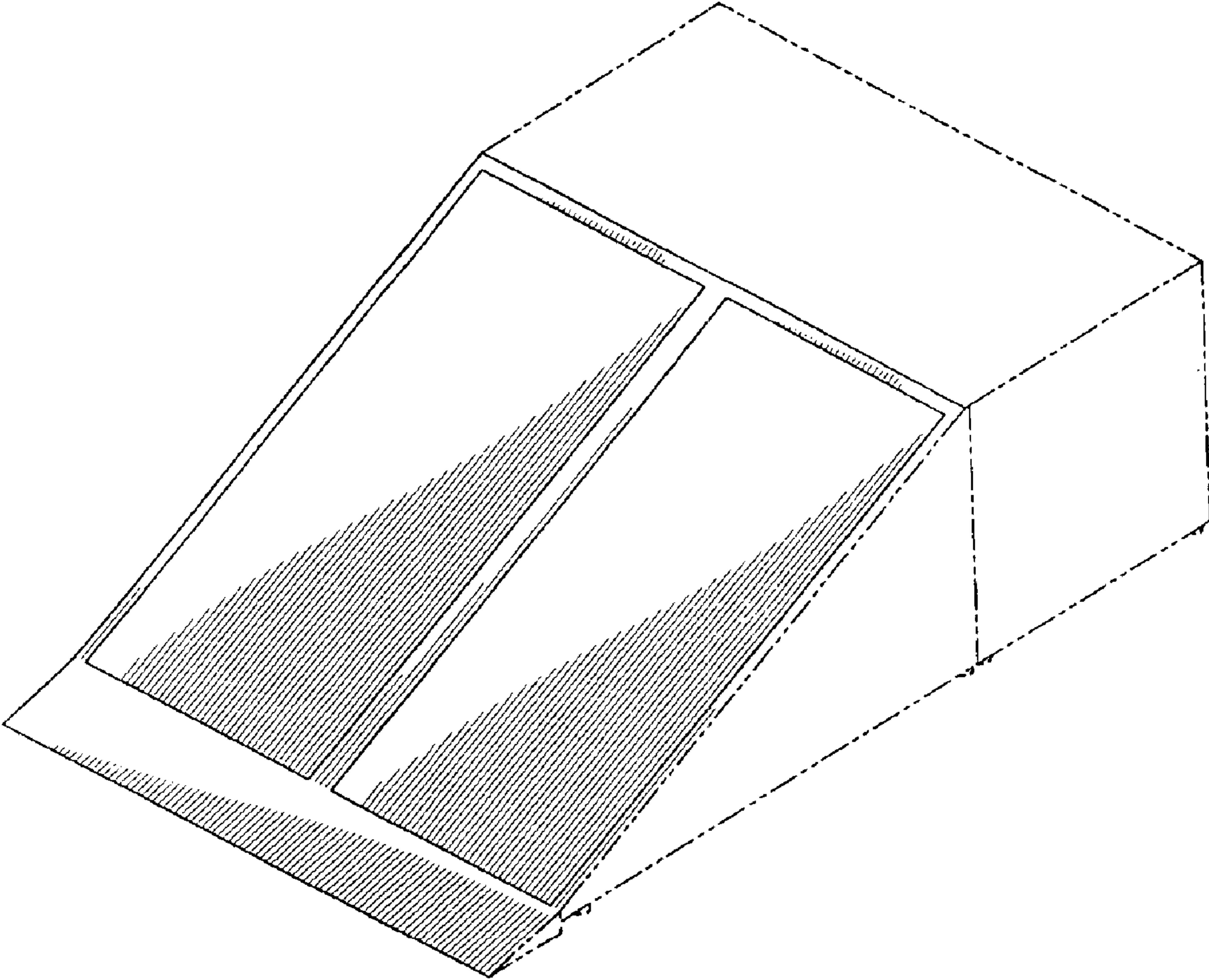


FIG. 1

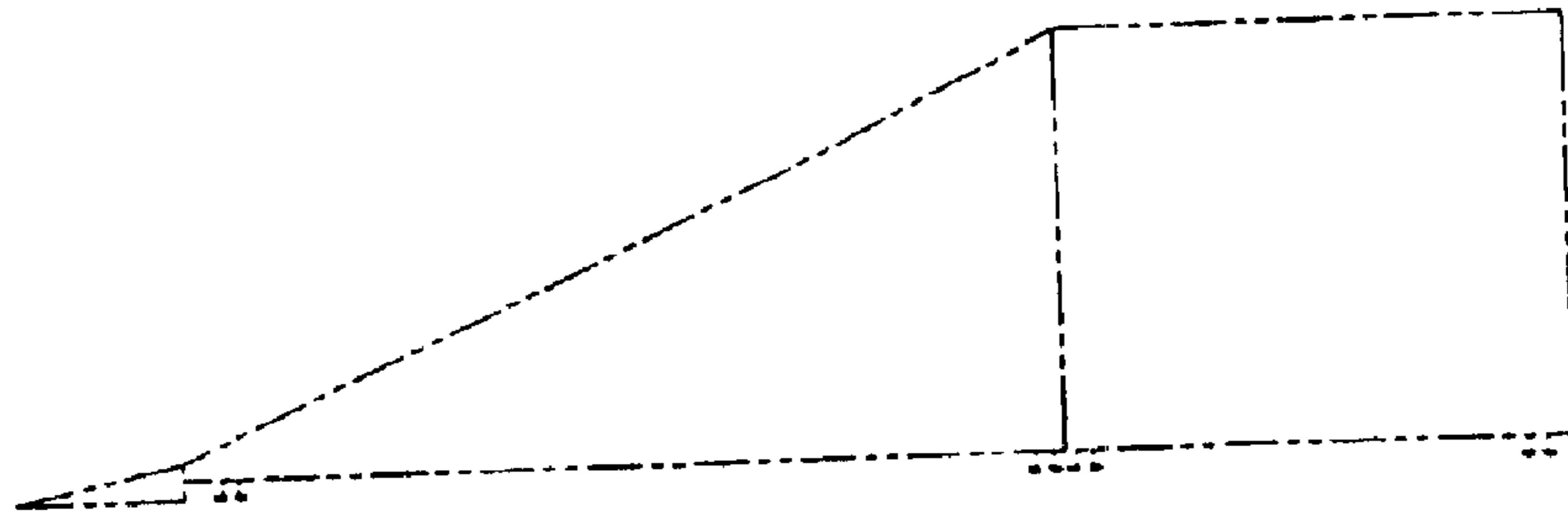


FIG. 2

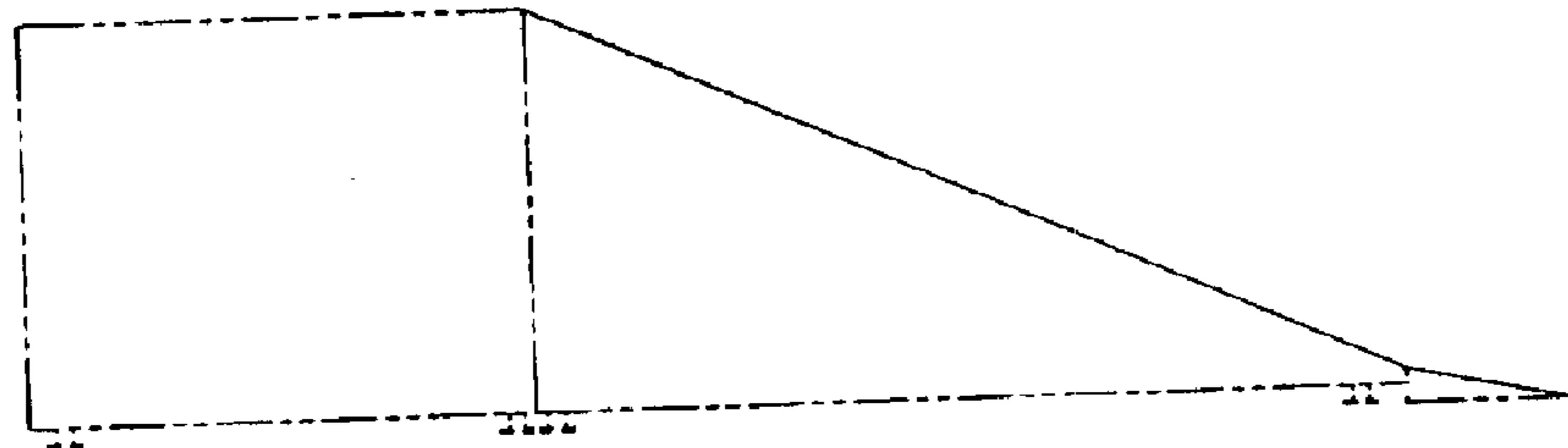


FIG. 3

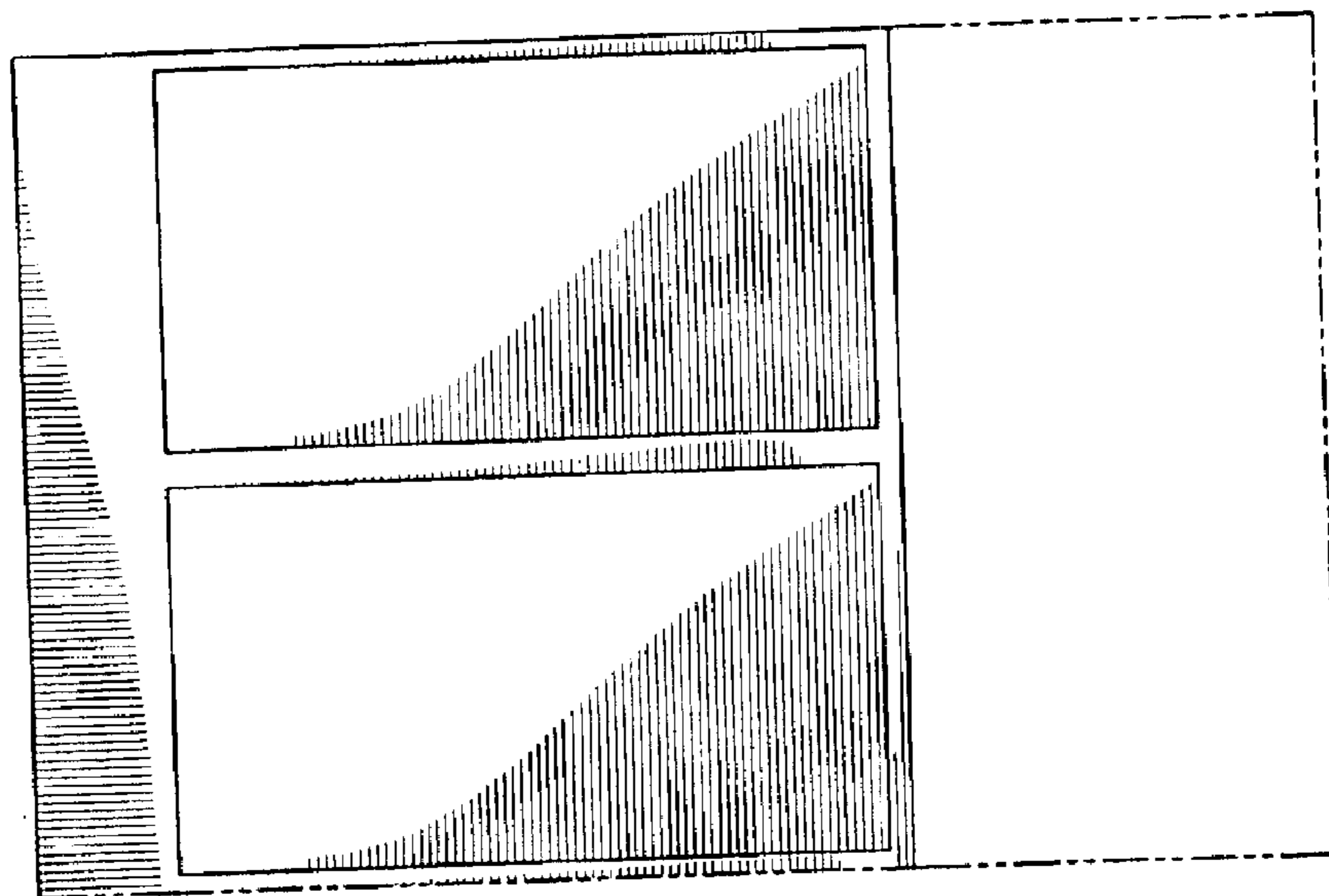


FIG. 4

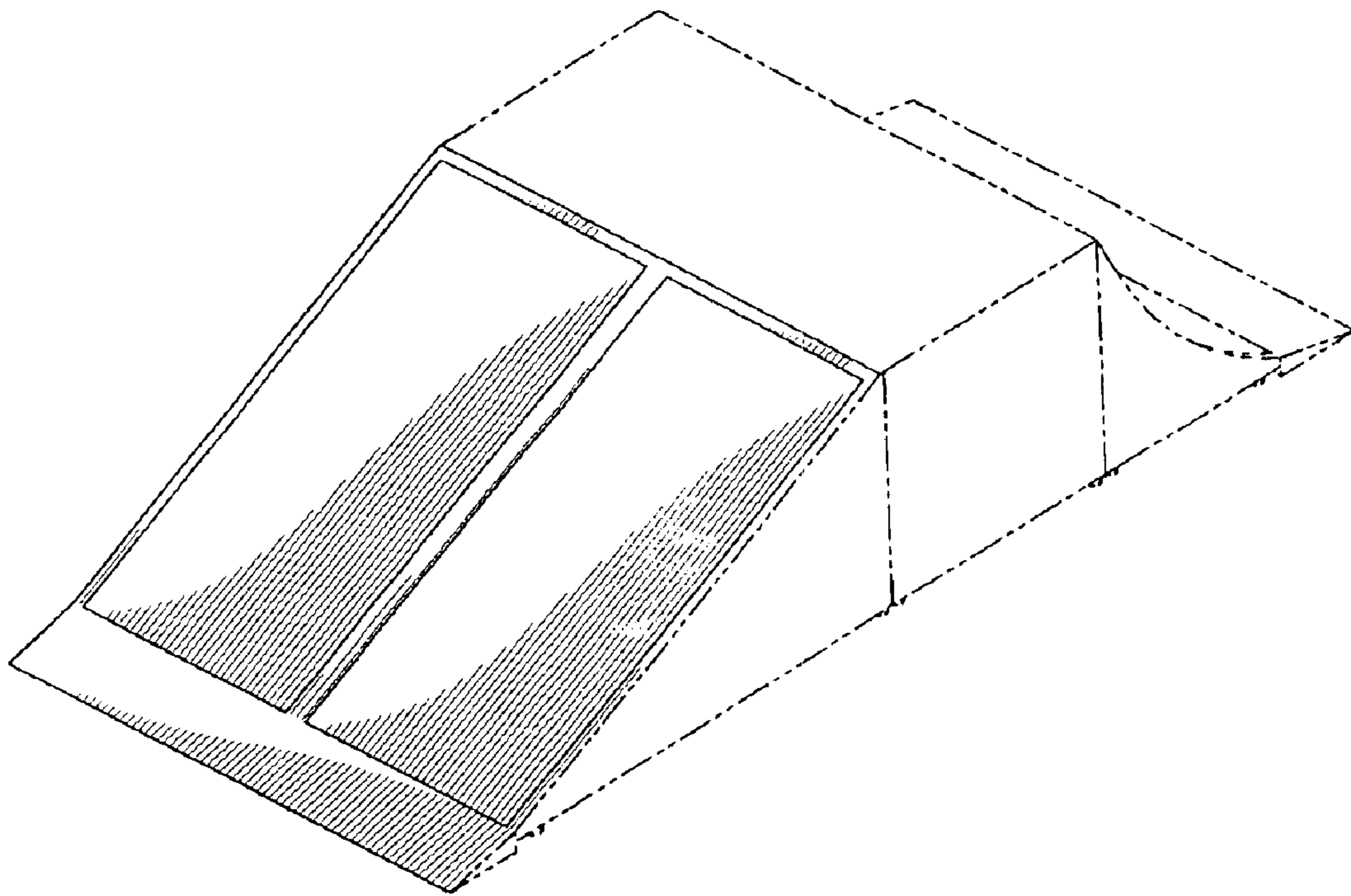


FIG. 5

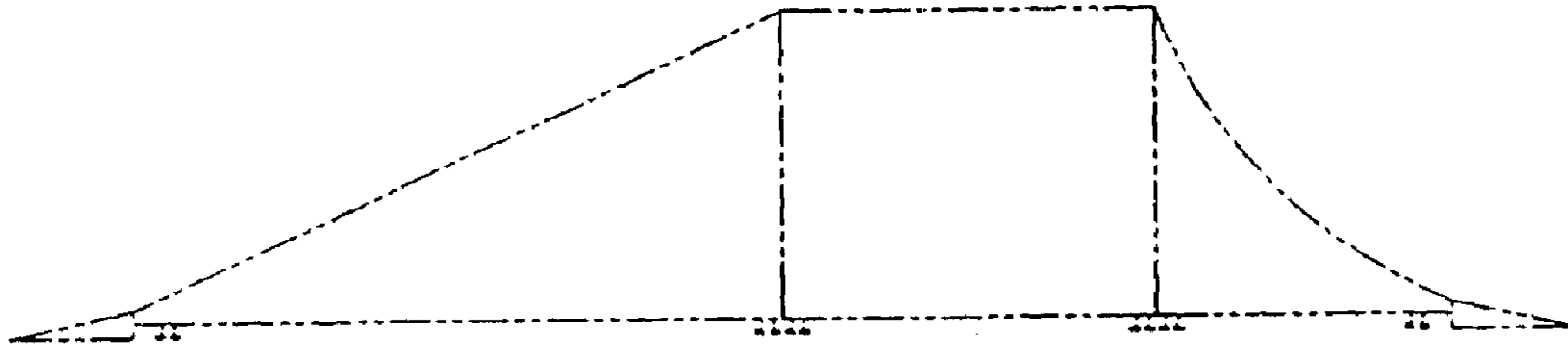


FIG. 6

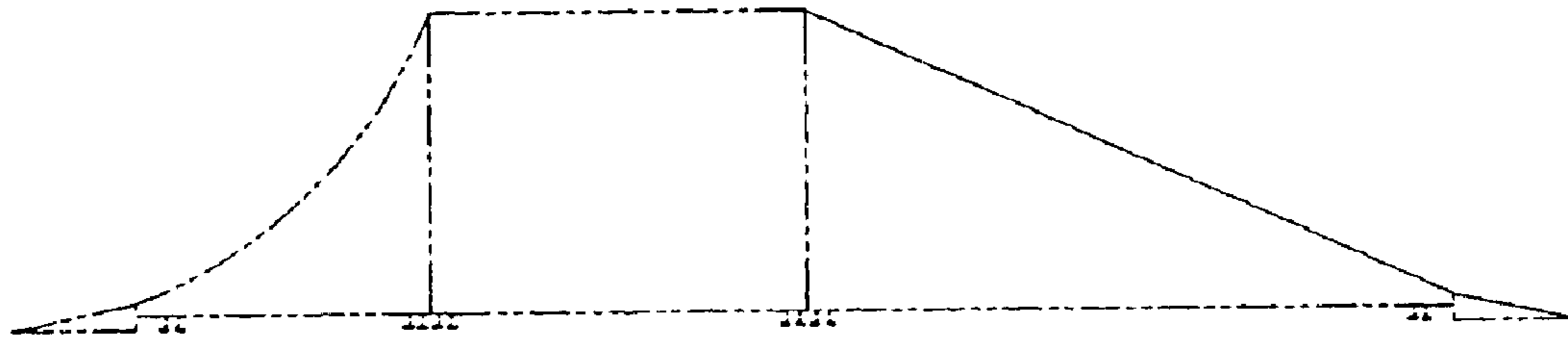


FIG. 7

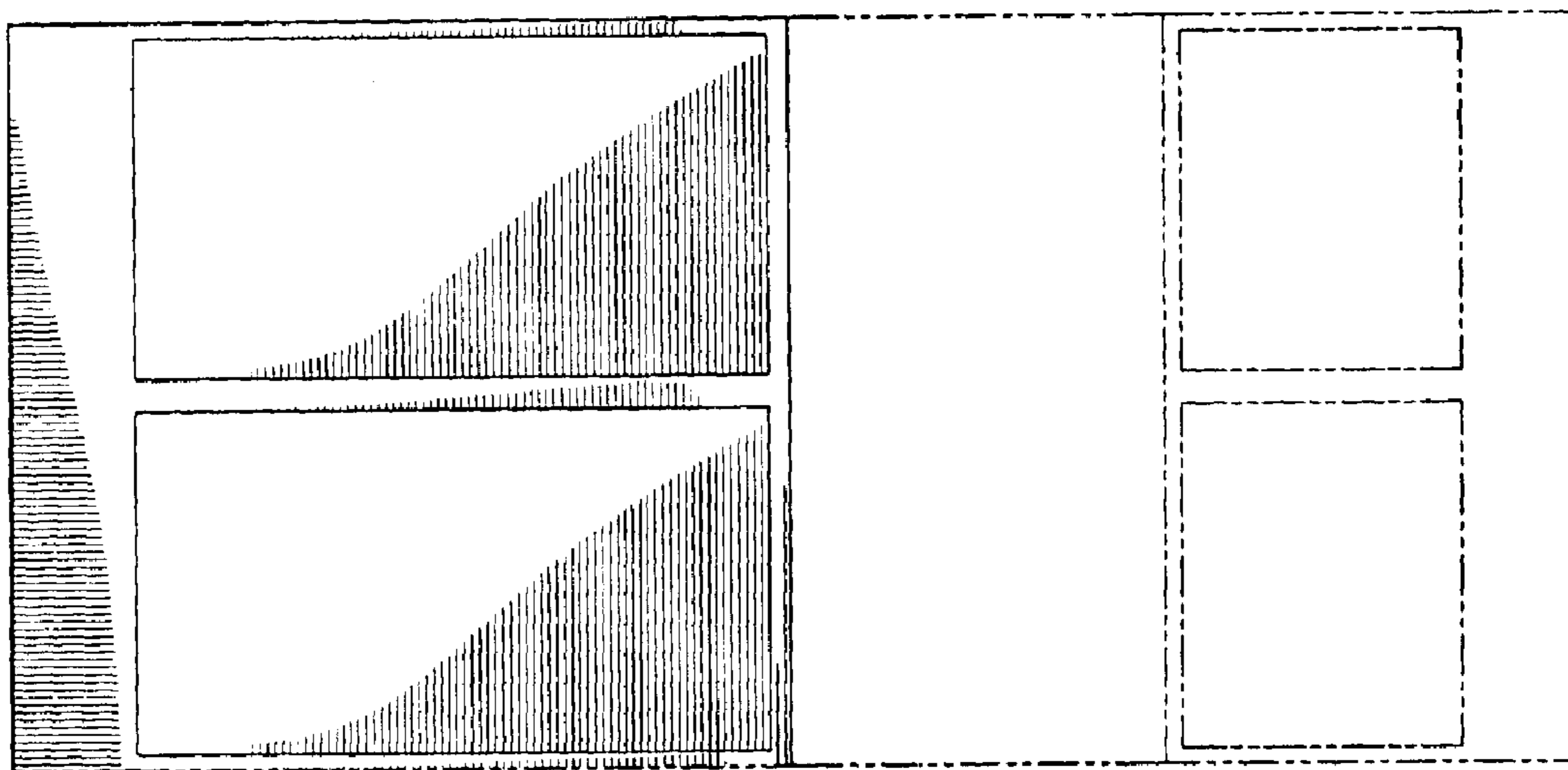


FIG. 8