

US00D500102S

(12) **United States Design Patent**  
**Kuo**

(10) **Patent No.:** **US D500,102 S**

(45) **Date of Patent:** **\*\* Dec. 21, 2004**

(54) **HANDLE FOR CHEST EXPANDER**

(75) Inventor: **Michael Kuo, Taipei (TW)**

(73) Assignee: **Test Rite International Company, LTD (TW)**

(\*\*) Term: **14 Years**

(21) Appl. No.: **29/185,956**

(22) Filed: **Jul. 8, 2003**

(51) **LOC (7) Cl.** ..... **21-02**

(52) **U.S. Cl.** ..... **D21/694; D21/692**

(58) **Field of Search** ..... D21/662, 684,  
D21/692, 694, 682; 482/121, 122, 125,  
126, 127, 139

(56) **References Cited**

**U.S. PATENT DOCUMENTS**

3,873,088	A	*	3/1975	Panepinto	.....	482/126
4,406,453	A	*	9/1983	Herzfeld	.....	482/126
D305,678	S	*	1/1990	Kunio	.....	D21/693
D385,931	S	*	11/1997	Kusznir	.....	D21/692
5,894,631	A	*	4/1999	Chiu	.....	16/443
6,151,758	A	*	11/2000	Chiu	.....	16/443

D441,413	S	*	5/2001	Cataldi et al.	.....	D21/692
6,315,701	B1	*	11/2001	Shifferaw	.....	482/114
6,348,026	B1	*	2/2002	Kuo	.....	482/126

\* cited by examiner

*Primary Examiner*—Philip S. Hyder

(74) *Attorney, Agent, or Firm*—Bacon & Thomas, PLLC

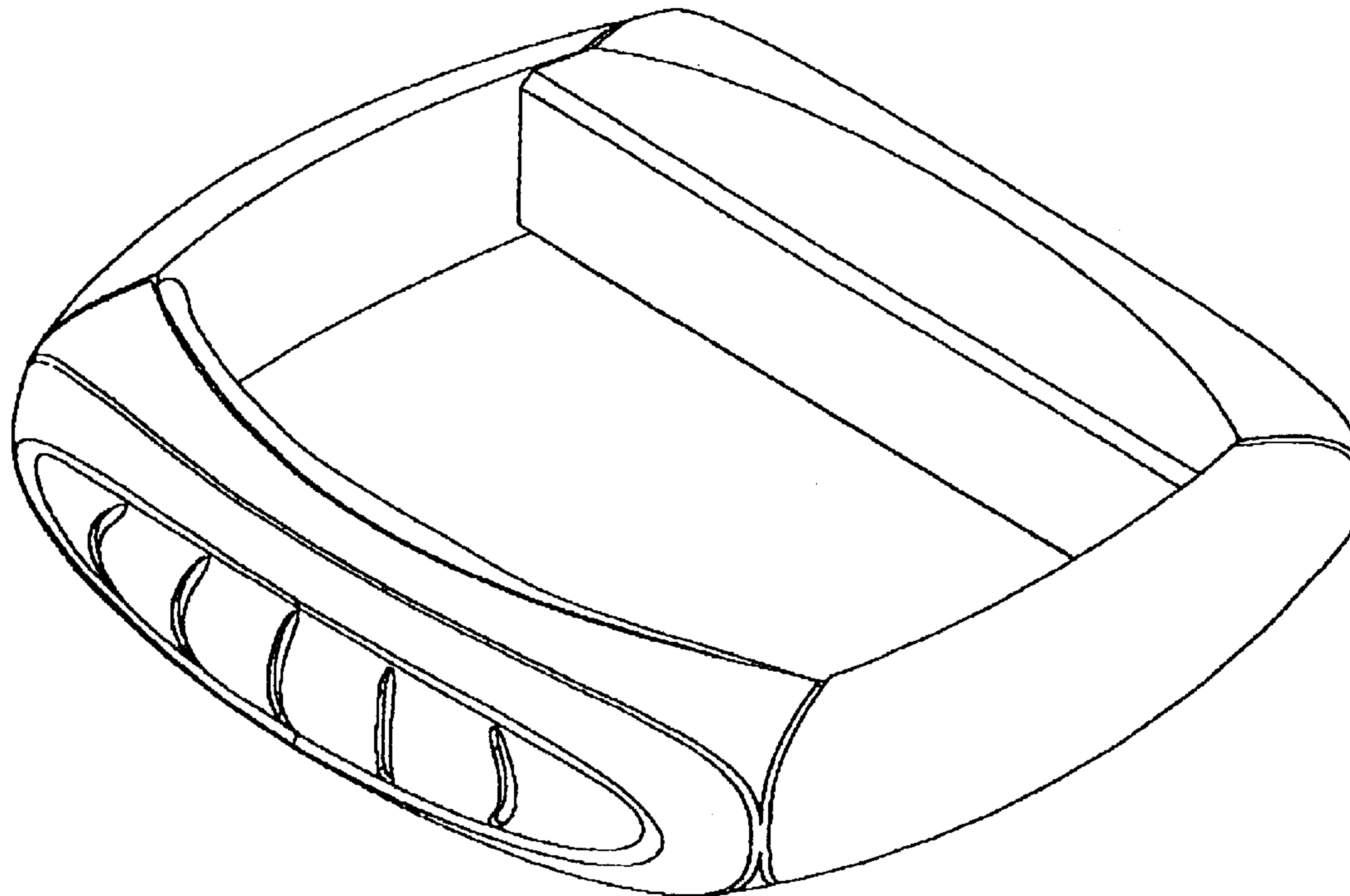
(57) **CLAIM**

The ornamental design for a handle for chest expander, as shown and described.

**DESCRIPTION**

FIG. 1 is a perspective view of a handle for chest expander showing my new design;  
 FIG. 2 is a top plan view thereof;  
 FIG. 3 is a rear view thereof;  
 FIG. 4 is a left side view thereof;  
 FIG. 5 is a right side view thereof;  
 FIG. 6 is a front view thereof;  
 FIG. 7 is a rear view thereof; and,  
 FIG. 8 is a top plan view thereof, wherein the broken line showing of the chest expander is for illustrative purposes only and forms no part of the claimed design.

**1 Claim, 3 Drawing Sheets**



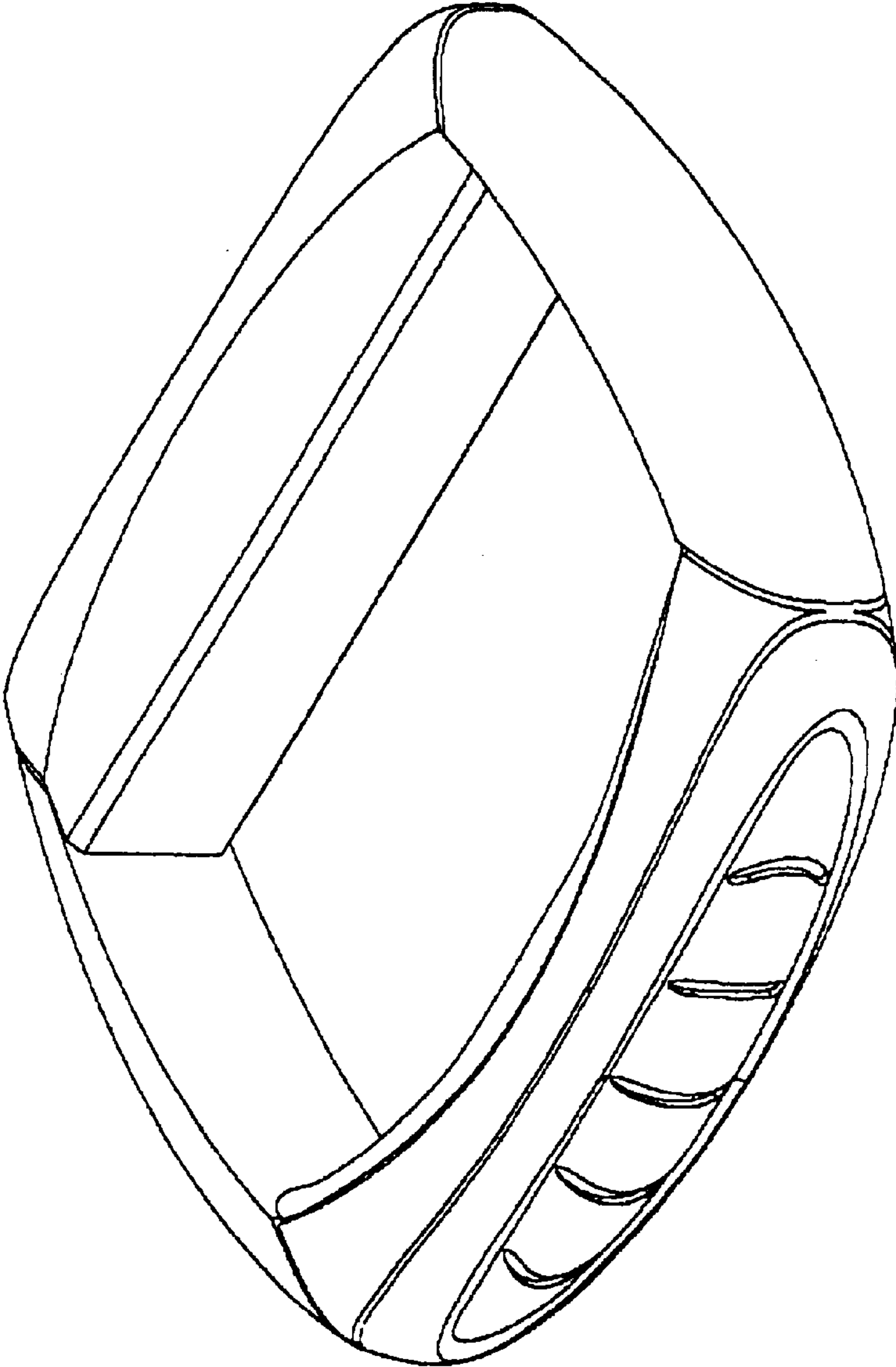


FIG.1

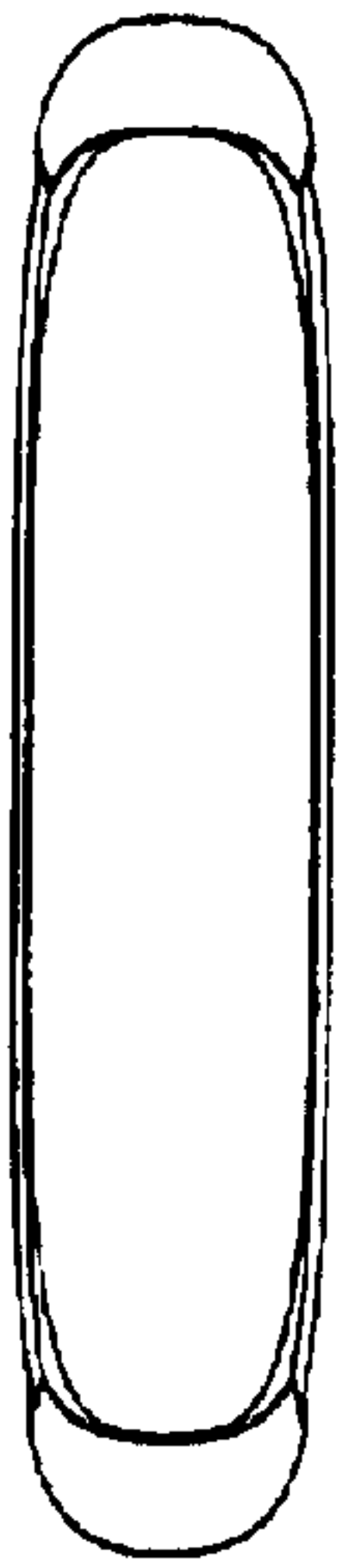


FIG. 6

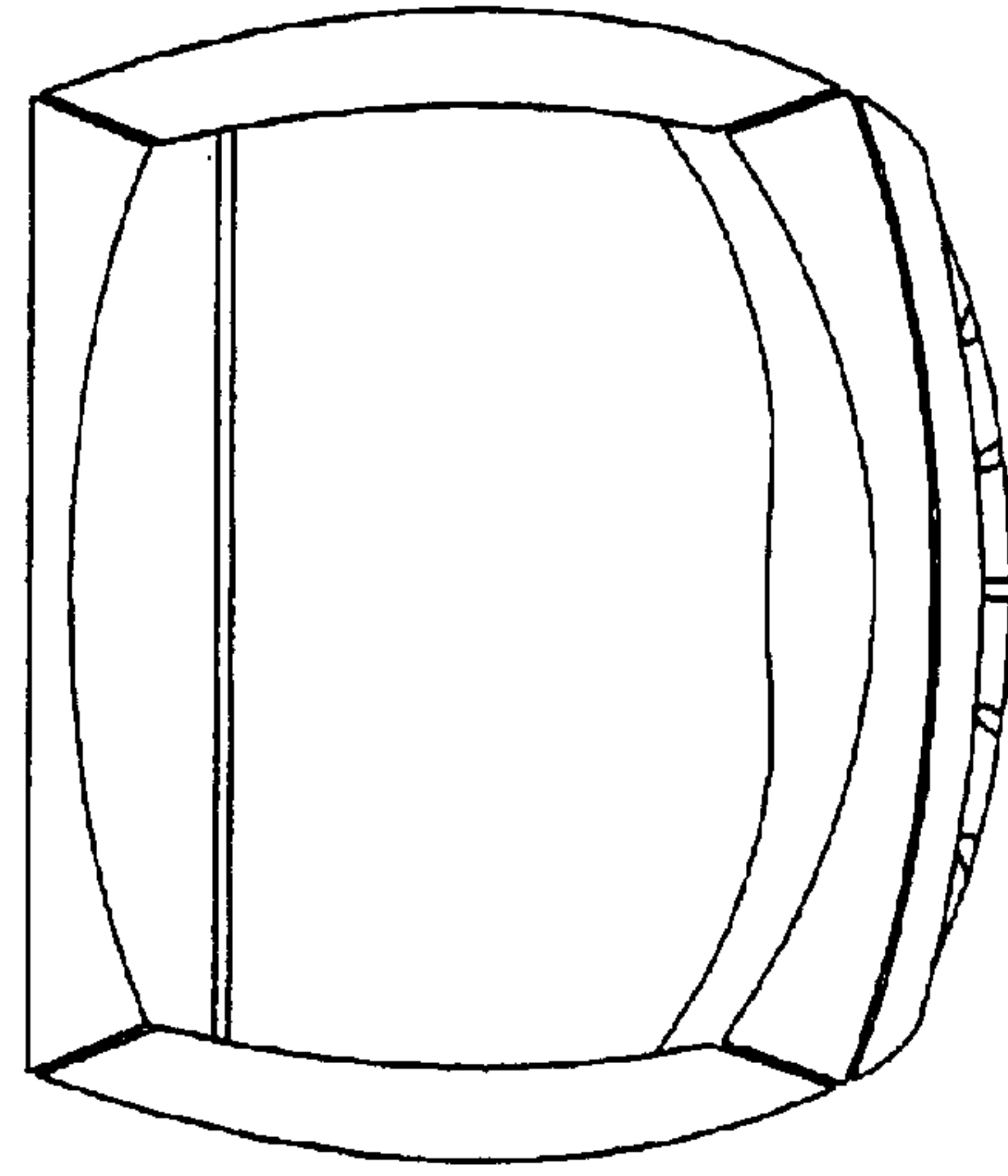


FIG. 3



FIG. 5

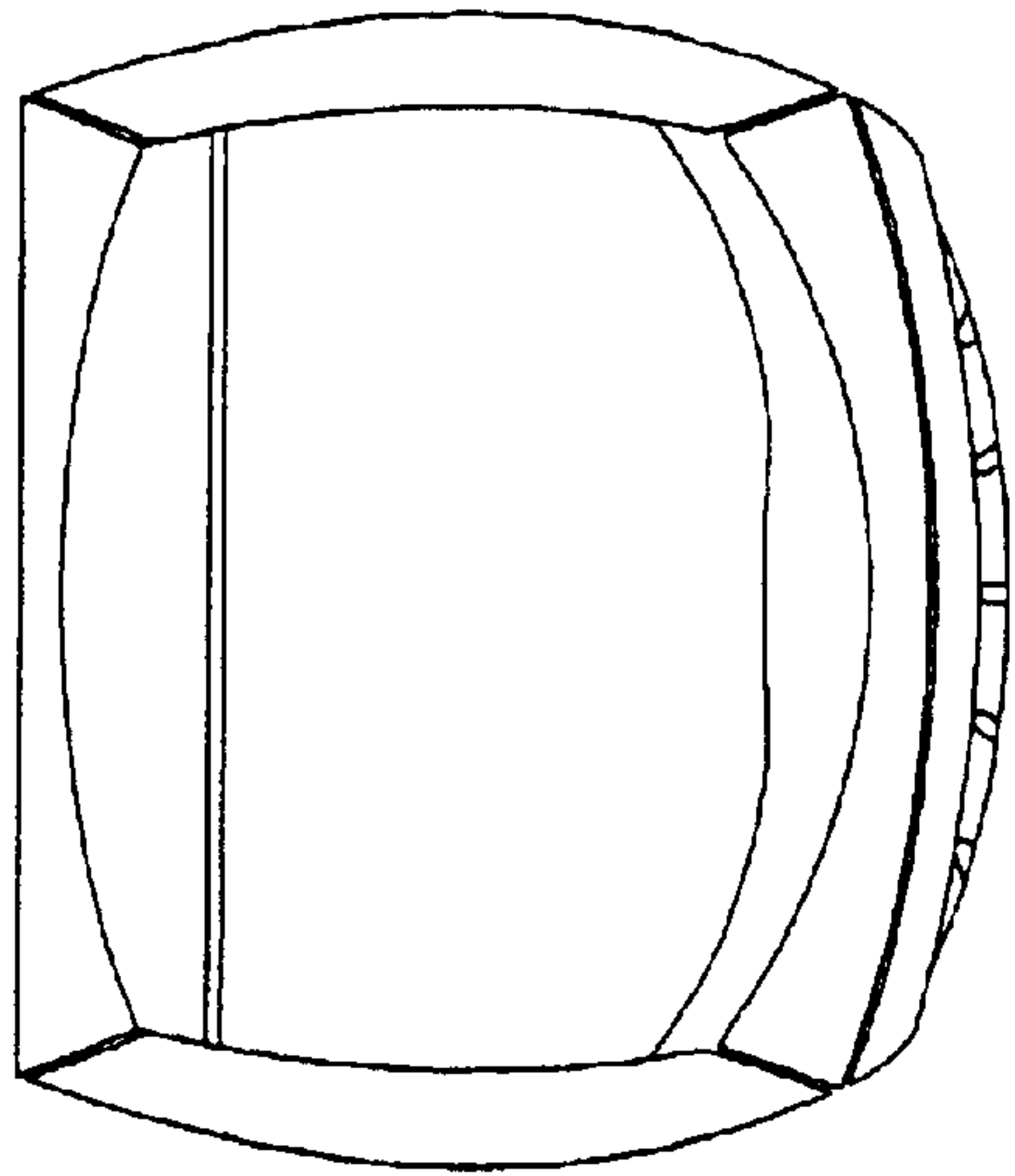


FIG. 2

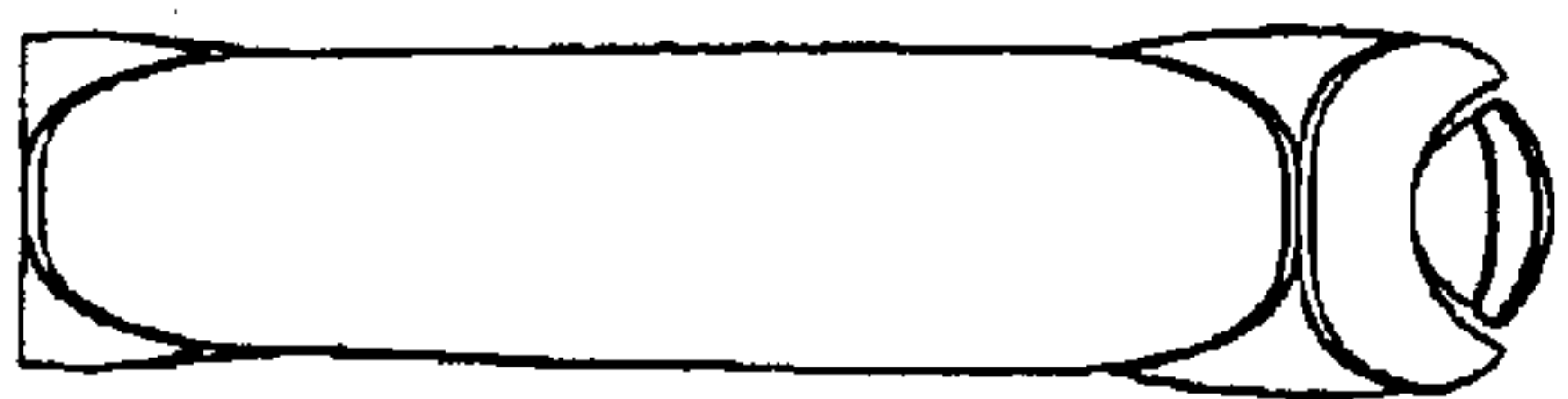


FIG. 4

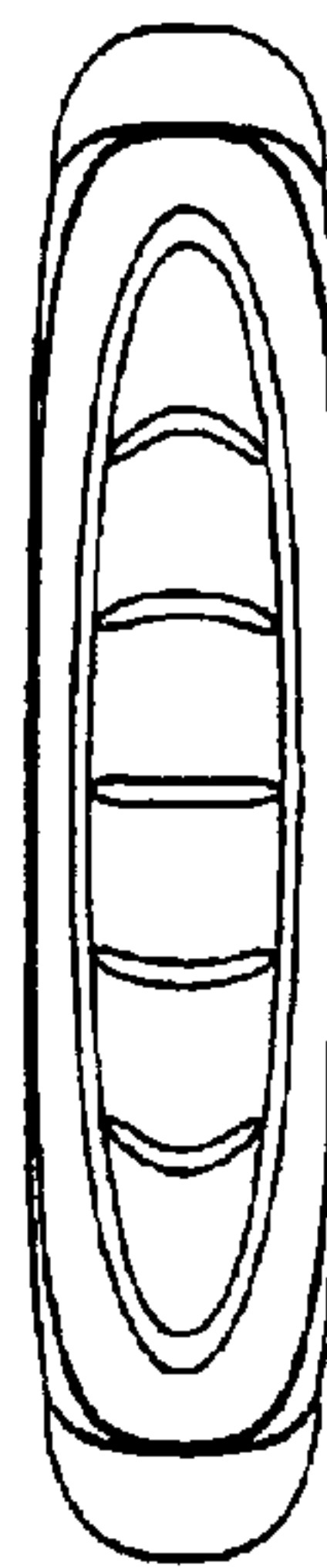


FIG. 7

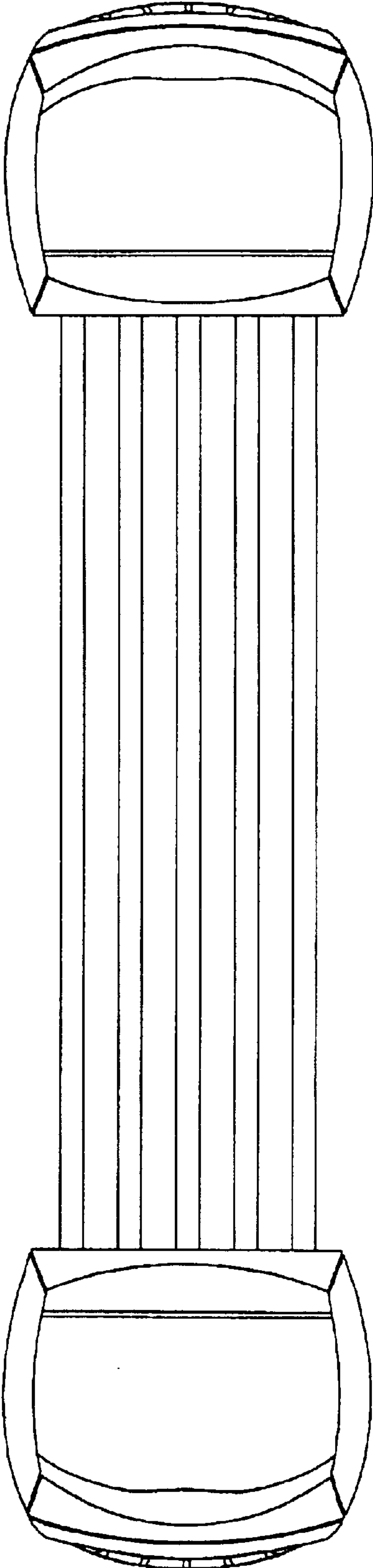


FIG.8