

US00D500101S

(12) **United States Design Patent**
Fitzgerald et al.

(10) **Patent No.:** **US D500,101 S**

(45) **Date of Patent:** **** Dec. 21, 2004**

(54) **EXERCISE DEVICE**

(75) Inventors: **Michael Fitzgerald**, Kilmacthomas (IE); **Laurence Massey**, Dublin (IE)

(73) Assignee: **BMR Research & Development Limited**, Galway (IE)

(**) Term: **14 Years**

(21) Appl. No.: **29/183,923**

(22) Filed: **Jun. 18, 2003**

(30) **Foreign Application Priority Data**

Dec. 18, 2002 (GB) 3009558

(51) **LOC (7) Cl.** **21-01**

(52) **U.S. Cl.** **D21/692; D21/684**

(58) **Field of Search** D21/662, 684, D21/692; 482/121, 126, 127, 128

(56) **References Cited**

U.S. PATENT DOCUMENTS

- 4,211,405 A * 7/1980 Blowsky et al. 482/128
- 4,290,599 A * 9/1981 Berger 482/112
- 4,376,533 A * 3/1983 Kolbel 482/125
- 5,031,906 A * 7/1991 Jang 482/125

- 5,046,726 A * 9/1991 Van Straaten 482/125
- 5,529,559 A * 6/1996 Punzalan 482/112
- 5,569,125 A * 10/1996 Clementi 482/46
- 5,643,158 A * 7/1997 Clementi 482/121
- 5,665,040 A * 9/1997 Ho 482/126

* cited by examiner

Primary Examiner—Philip S. Hyder

(74) *Attorney, Agent, or Firm*—Drinker Biddle & Reath LLP

(57) **CLAIM**

The ornamental design for an exercise device, as shown.

DESCRIPTION

FIG. 1 is a side view of an exercise device of the design according to the invention in a closed position;

FIG. 2 is a plan view from above of the exercise device of FIG. 1;

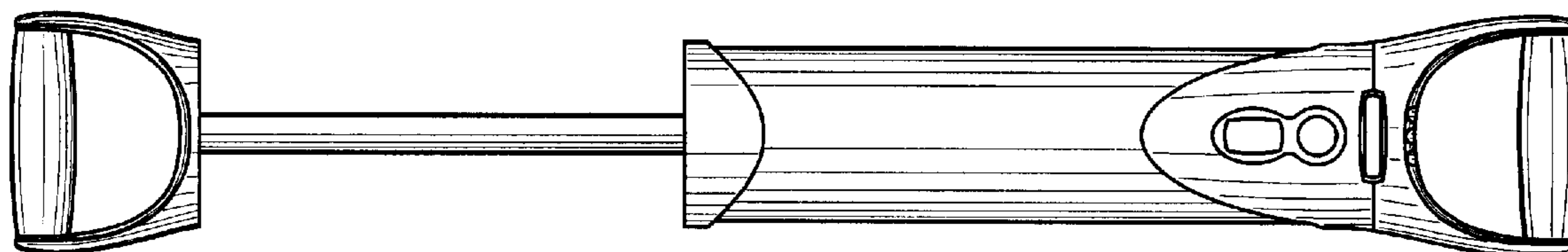
FIG. 3 is a plan view from above of the exercise device of FIG. 1 in an extended position;

FIG. 4 is an end view of the exercise device of FIG. 1;

FIG. 5 is a plan view from below of the exercise device of FIG. 1; and,

FIG. 6 is a side view of the other end of the exercise device of FIG. 1.

1 Claim, 2 Drawing Sheets



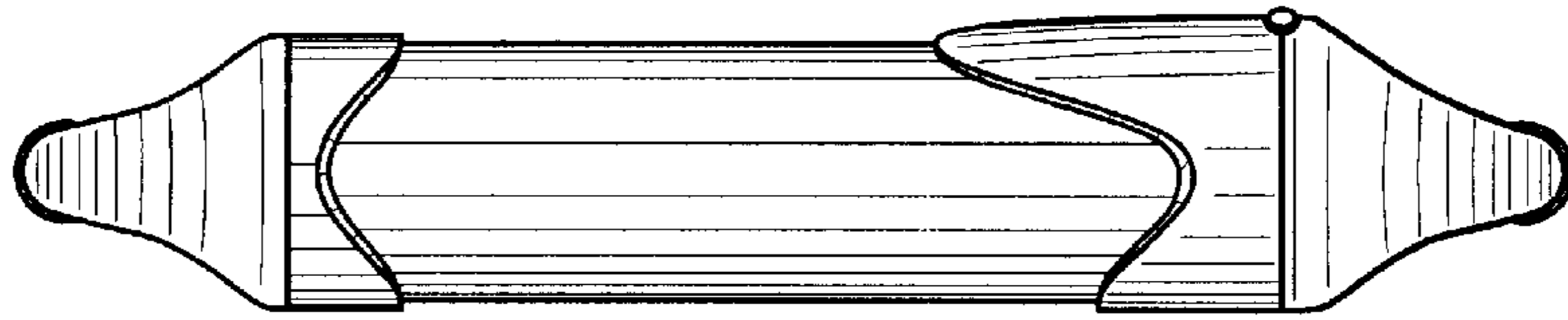


FIG. 1

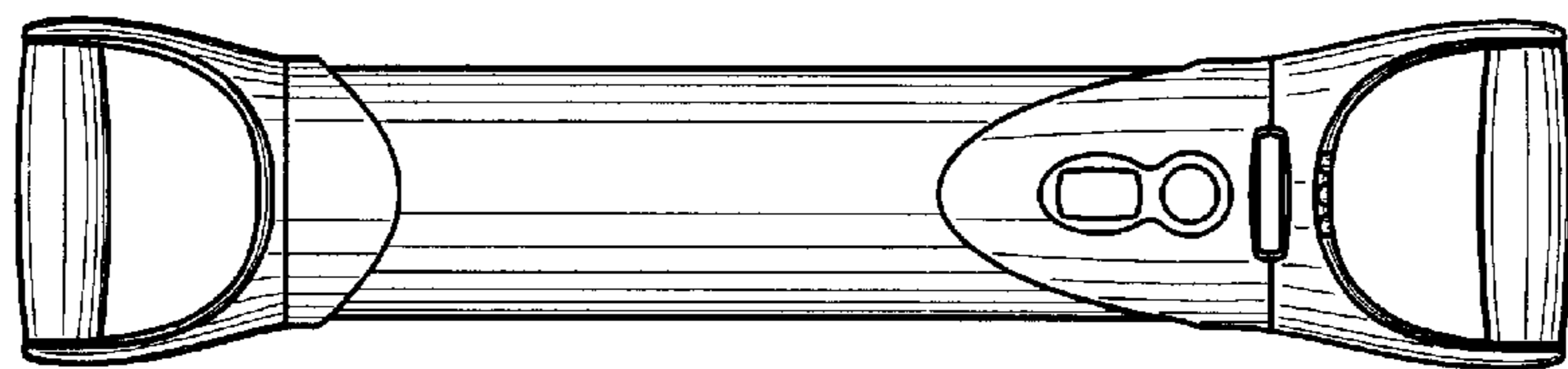


FIG. 2

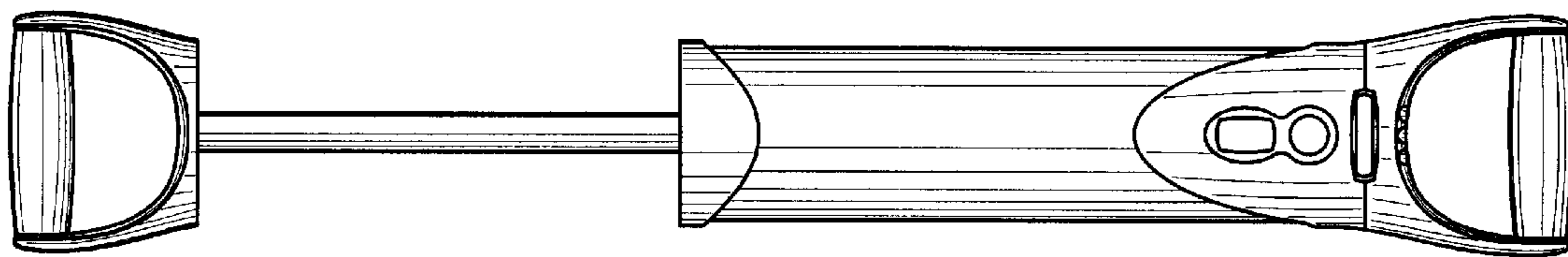


FIG. 3

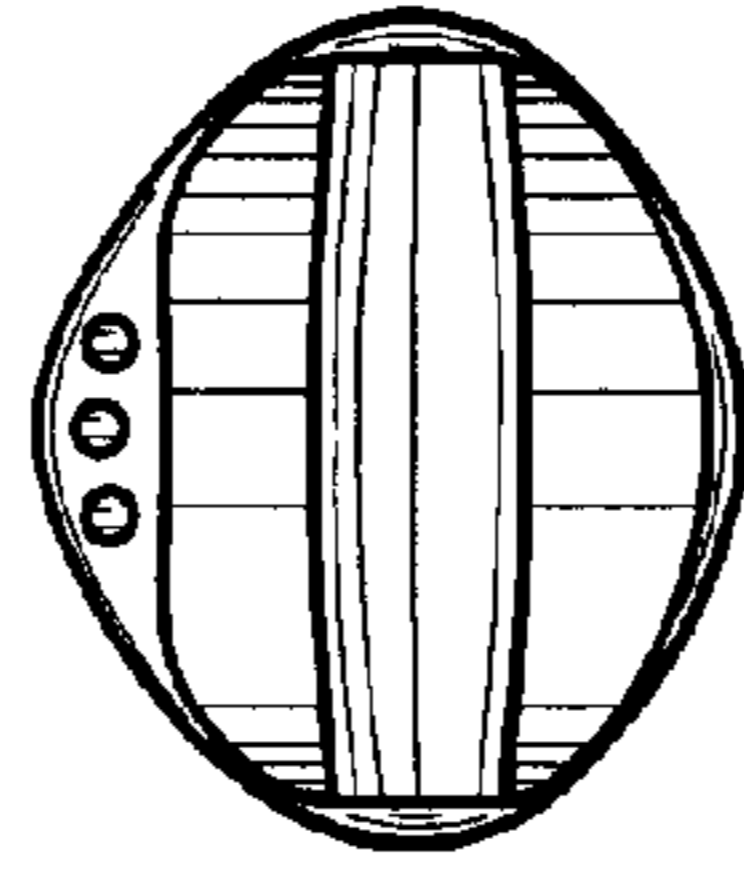


FIG. 4

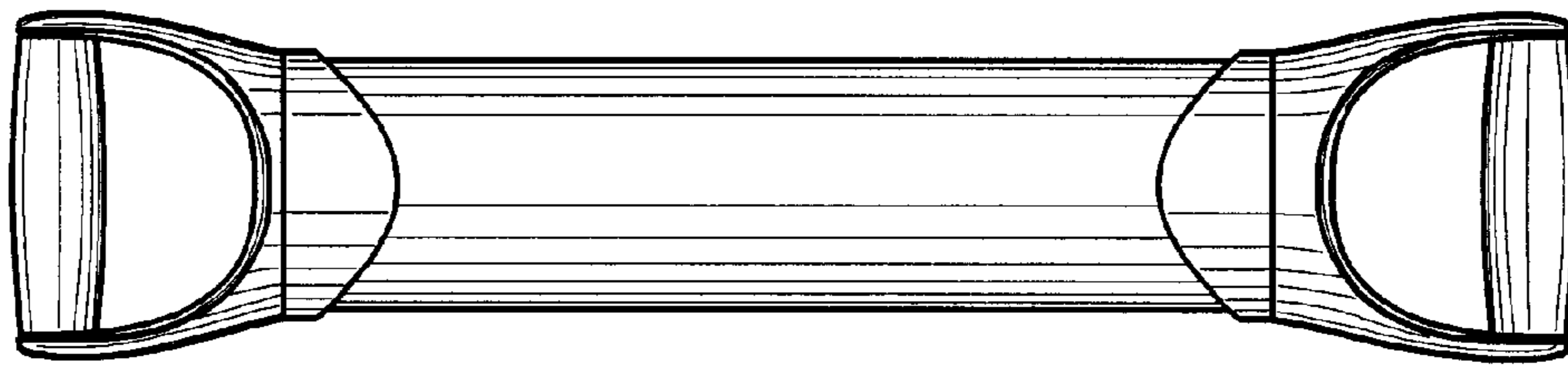


FIG. 5

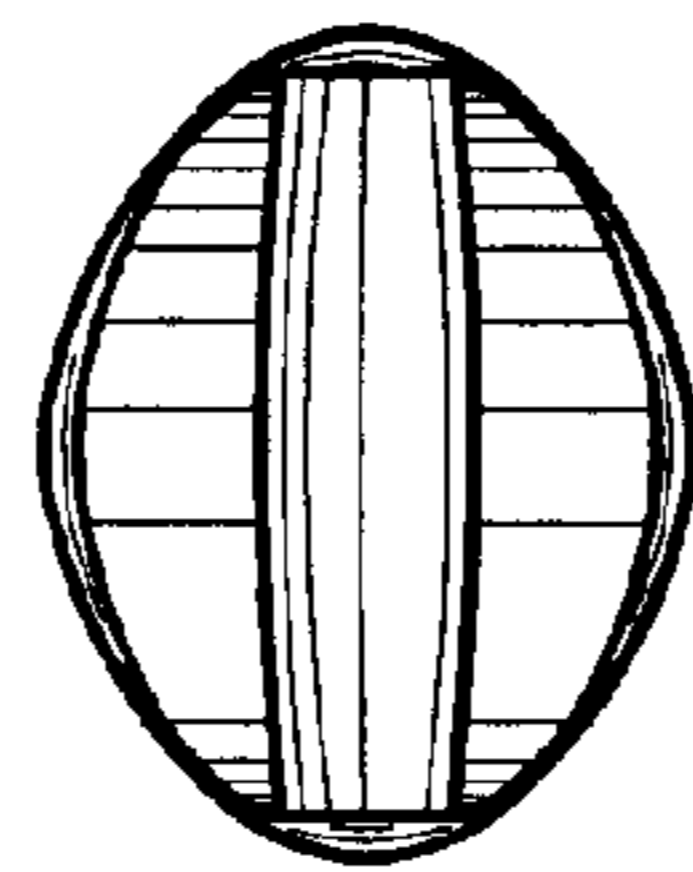


FIG. 6