

US00D500099S

(12) **United States Design Patent**  
**Gioffre**

(10) **Patent No.: US D500,099 S**

(45) **Date of Patent: \*\* Dec. 21, 2004**

(54) **COMBINED TOY DOLL AND MONITOR WITH FACIAL FEATURES**

(76) Inventor: **Kenneth Gioffre**, 112 Fairhill Rd.,  
Huntingdon Valley, PA (US) 19006

(\*\*) Term: **14 Years**

(21) Appl. No.: **29/206,879**

(22) Filed: **Jun. 4, 2004**

(51) **LOC (7) Cl. .... 21-01**

(52) **U.S. Cl. .... D21/627; D21/515; D21/577**

(58) **Field of Search .... D21/627, 577,  
D21/515, 621, 630, 578, 622; D11/160;  
446/268, 72, 321, 385, 369-372**

(56) **References Cited**

**U.S. PATENT DOCUMENTS**

3,636,654	A	*	1/1972	Workman	.....	446/408
D279,021	S	*	5/1985	Cornell et al.	.....	D21/627
D294,721	S	*	3/1988	Cowling	.....	D21/627
D321,021	S	*	10/1991	Ortega	.....	D21/627
D342,557	S	*	12/1993	Frick	.....	D21/630
5,564,209	A		10/1996	Zagnoli	.....	40/594

D382,777	S	*	8/1997	Peniche	.....	D7/710
6,160,986	A	*	12/2000	Gabai et al.	.....	434/308
6,209,973	B1		4/2001	Steinberg	.....	312/7.2
D445,468	S	*	7/2001	Lipper	.....	D21/627
6,402,269	B1		6/2002	Roth	.....	312/7.2
6,558,225	B1	*	5/2003	Rehkemper et al.	.....	446/484

\* cited by examiner

*Primary Examiner*—Lucy Lieberman

(74) *Attorney, Agent, or Firm*—Goldstein Law Offices, PC.

(57) **CLAIM**

The ornamental design for a combined toy doll and monitor with facial features.

**DESCRIPTION**

FIG. 1 is a perspective view of the combined toy doll and monitor with facial features.

FIG. 2 is a front elevational view thereof.

FIG. 3 is a rear elevational view thereof.

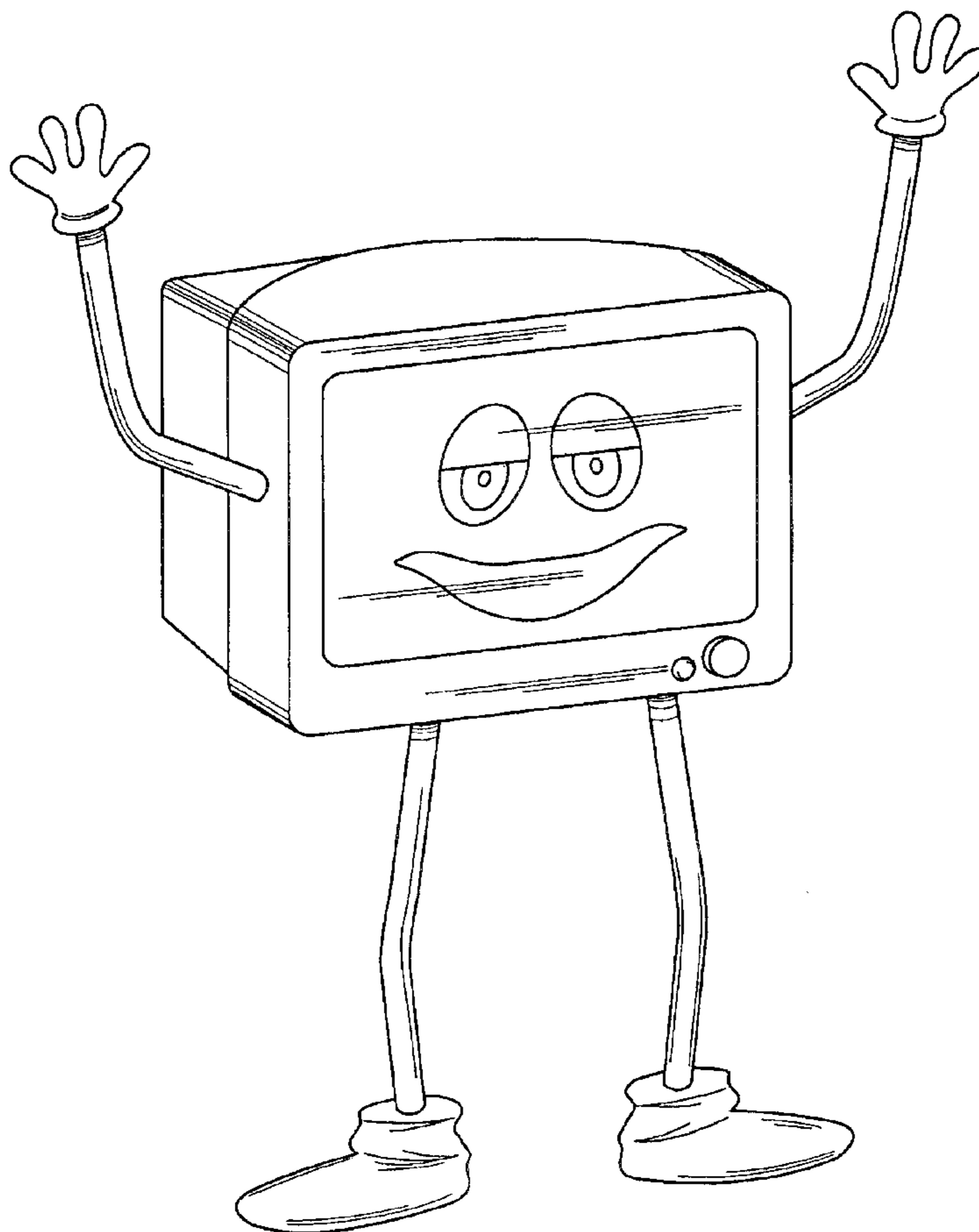
FIG. 4 is a right side elevational view thereof.

FIG. 5 is a left side elevational view thereof.

FIG. 6 is a top plan view thereof; and,

FIG. 7 is a bottom plan view thereof.

**1 Claim, 5 Drawing Sheets**



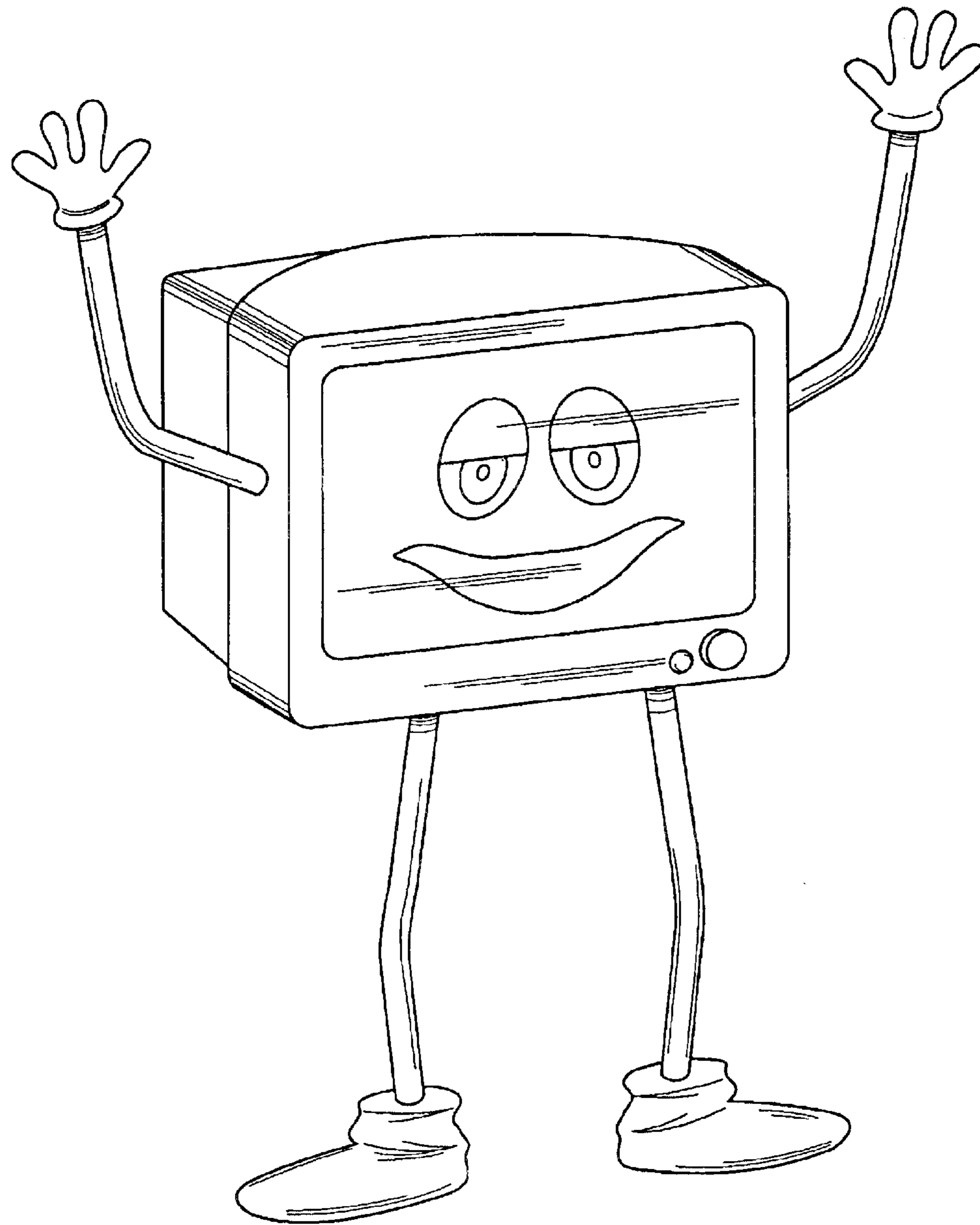


FIG. 1

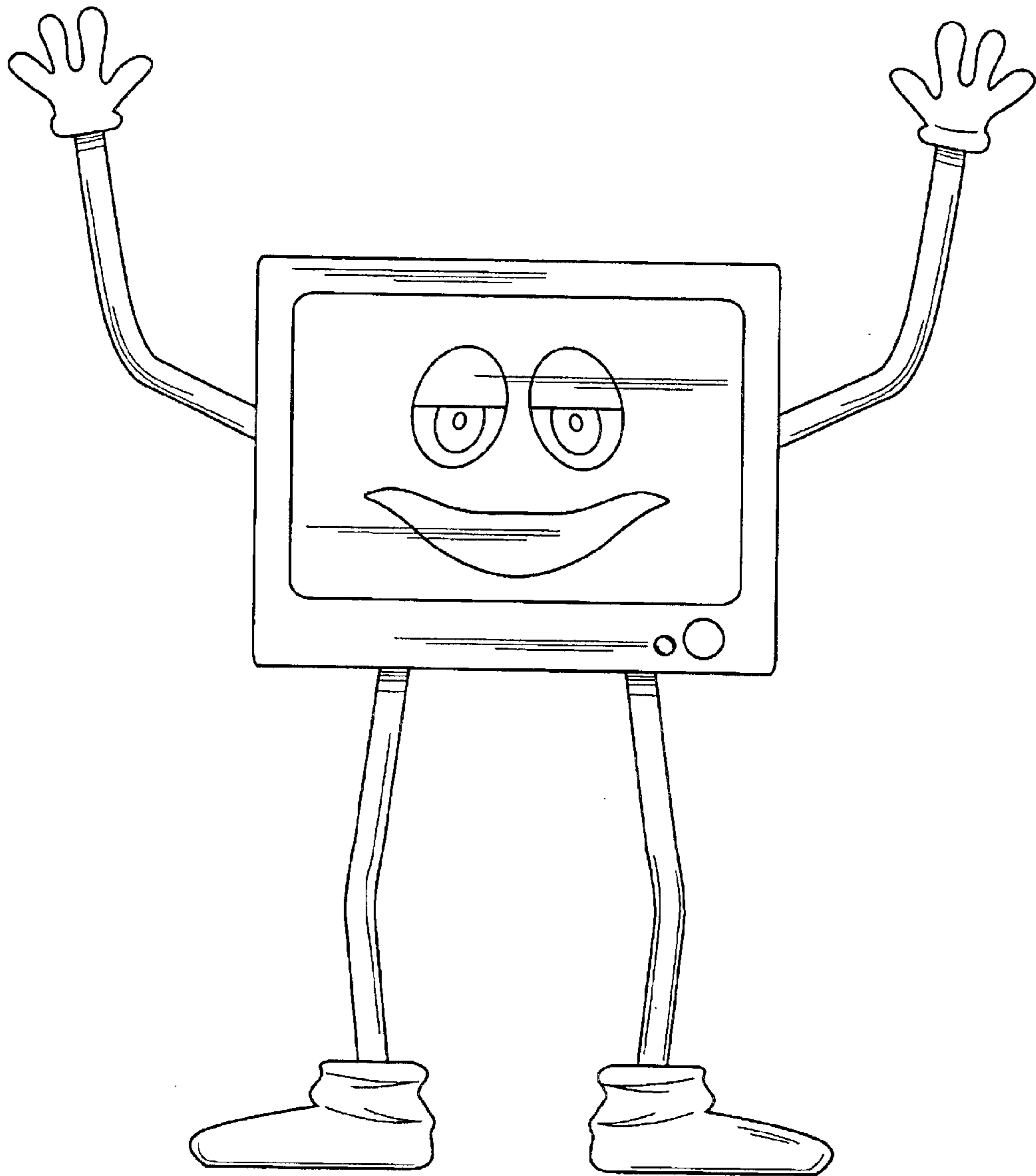


FIG. 2

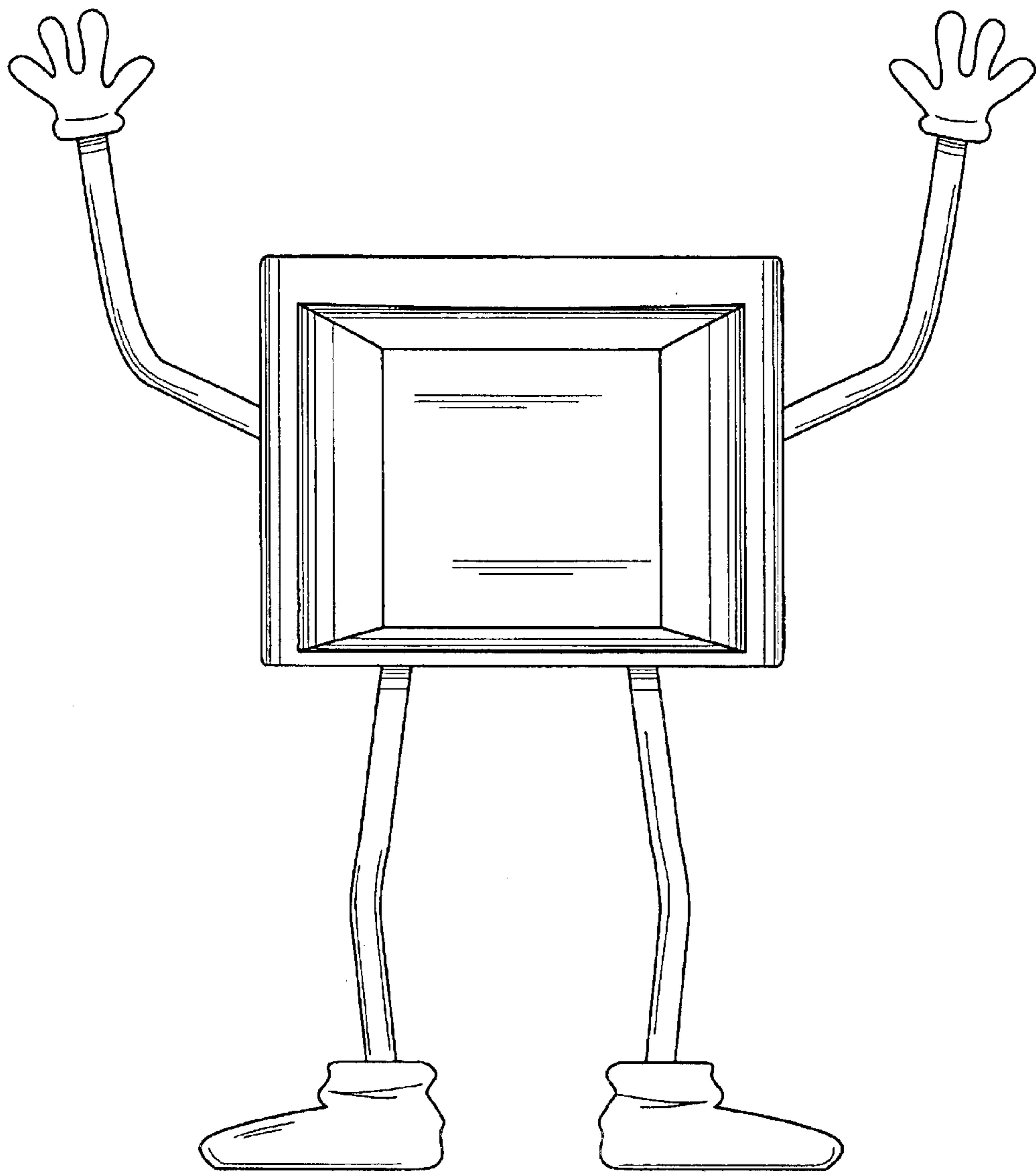


FIG. 3

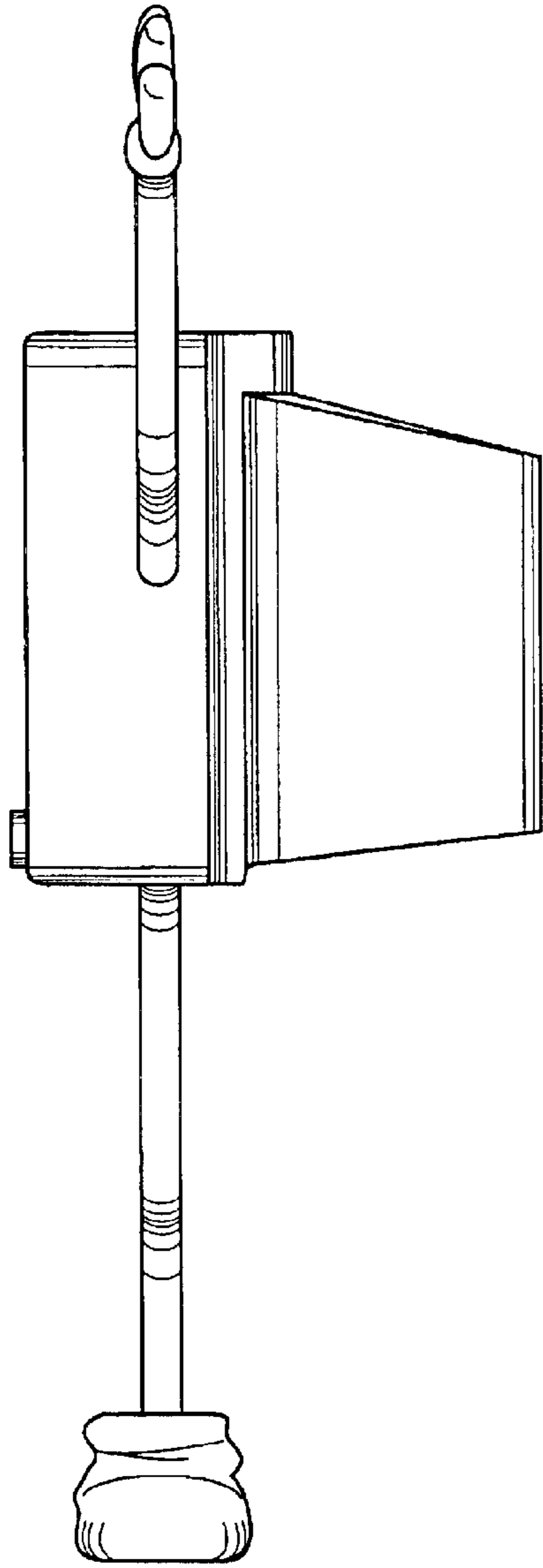


FIG. 4

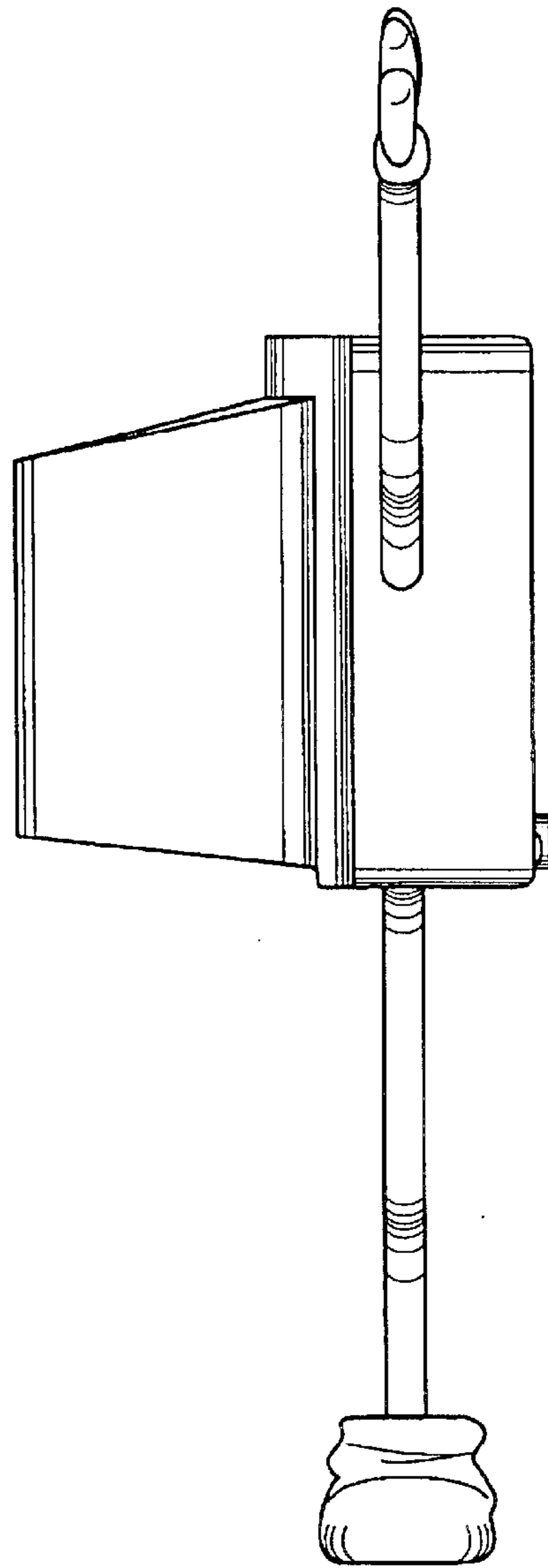


FIG. 5

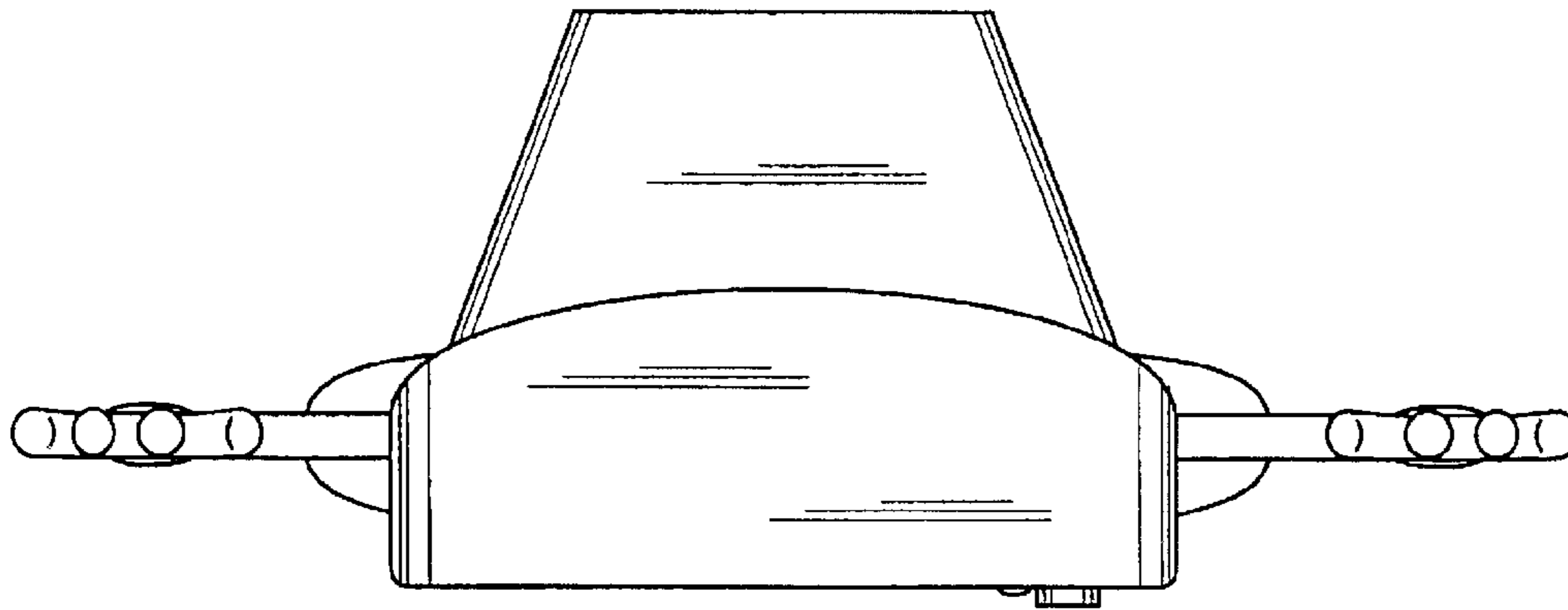


FIG. 6

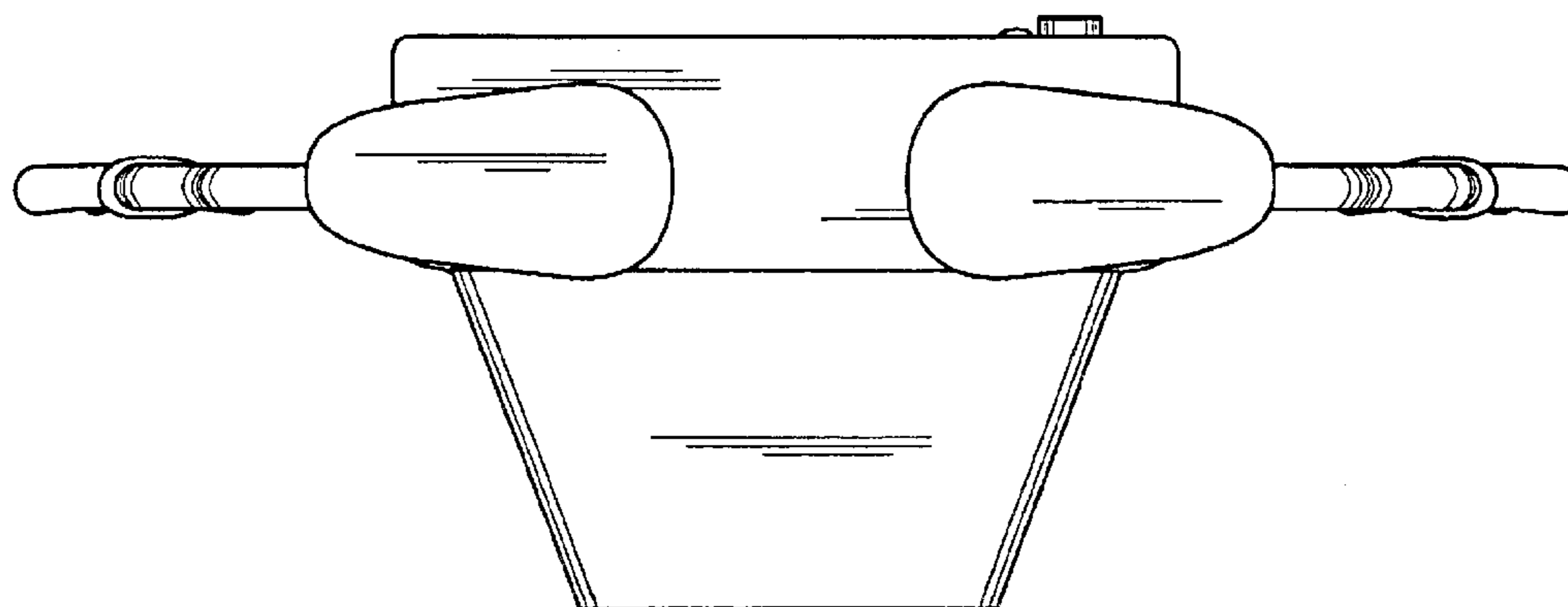


FIG. 7