

US00D500098S

(12) **United States Design Patent**
Doi

(10) **Patent No.:** **US D500,098 S**

(45) **Date of Patent:** **** Dec. 21, 2004**

(54) **SIMULATED GAME MACHINE FOR PILOTING A PLANE**

D453,945 S * 2/2002 Shan D21/326
D470,899 S * 2/2003 Goh D21/477
6,634,885 B2 * 10/2003 Hodgetts et al. 434/55

(75) Inventor: **Satoshi Doi**, Tokyo (JP)

* cited by examiner

(73) Assignee: **Sega Corporation**, Tokyo (JP)

Primary Examiner—Raphael Barkai

(**) Term: **14 Years**

(74) *Attorney, Agent, or Firm*—Dickstein Shapiro Morin & Oshinsky LLP

(21) Appl. No.: **29/188,349**

(57) **CLAIM**

(22) Filed: **Aug. 19, 2003**

The ornamental design for the simulated game machine for piloting a plane, as shown and described.

(51) **LOC (7) Cl.** **21-01**

(52) **U.S. Cl.** **D21/477; D21/326**

(58) **Field of Search** D21/324, 326,
D21/419–435, 477, 811, 833; D14/447,
451, 496; 446/470, 7–13, 230–231, 473,
491; 434/63, 55, 62, 67, 69, 71

DESCRIPTION

(56) **References Cited**

U.S. PATENT DOCUMENTS

4,288,943 A * 9/1981 Ptaszek et al. 446/7
5,015,189 A * 5/1991 Wenzinger, Jr. 434/63
5,344,354 A * 9/1994 Wiley 446/7
D403,024 S * 12/1998 Muraki et al. D21/326

FIG. 1 is a front, top and right side perspective view of a simulated game machine for piloting a plane showing my new design;

FIG. 2 is a front elevational view thereof;

FIG. 3 is a rear elevational view thereof;

FIG. 4 is a left side elevational view thereof;

FIG. 5 is a right side elevational view thereof;

FIG. 6 is a top plan view thereof; and,

FIG. 7 is a bottom plan view thereof.

1 Claim, 4 Drawing Sheets

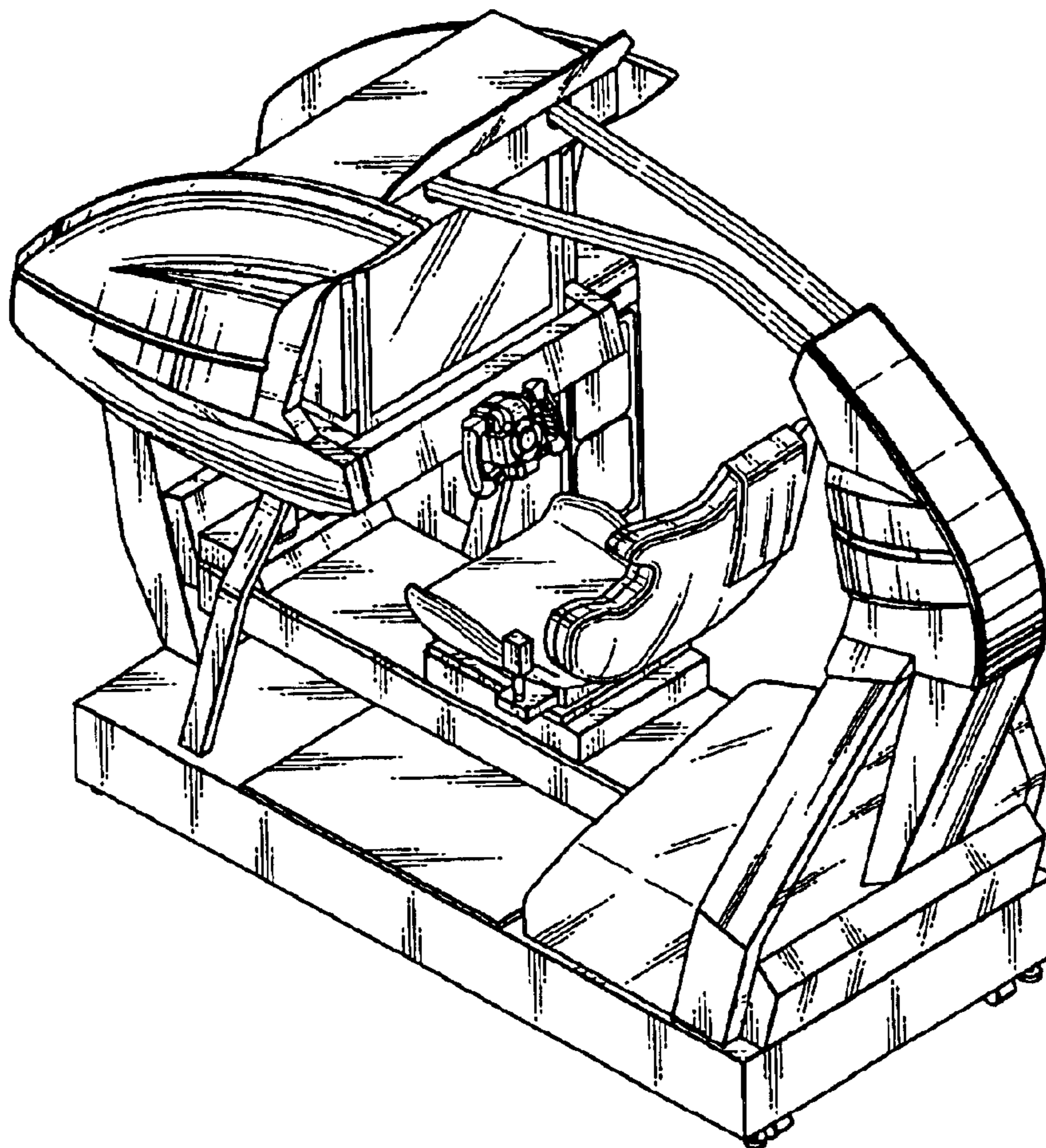


FIG. 1

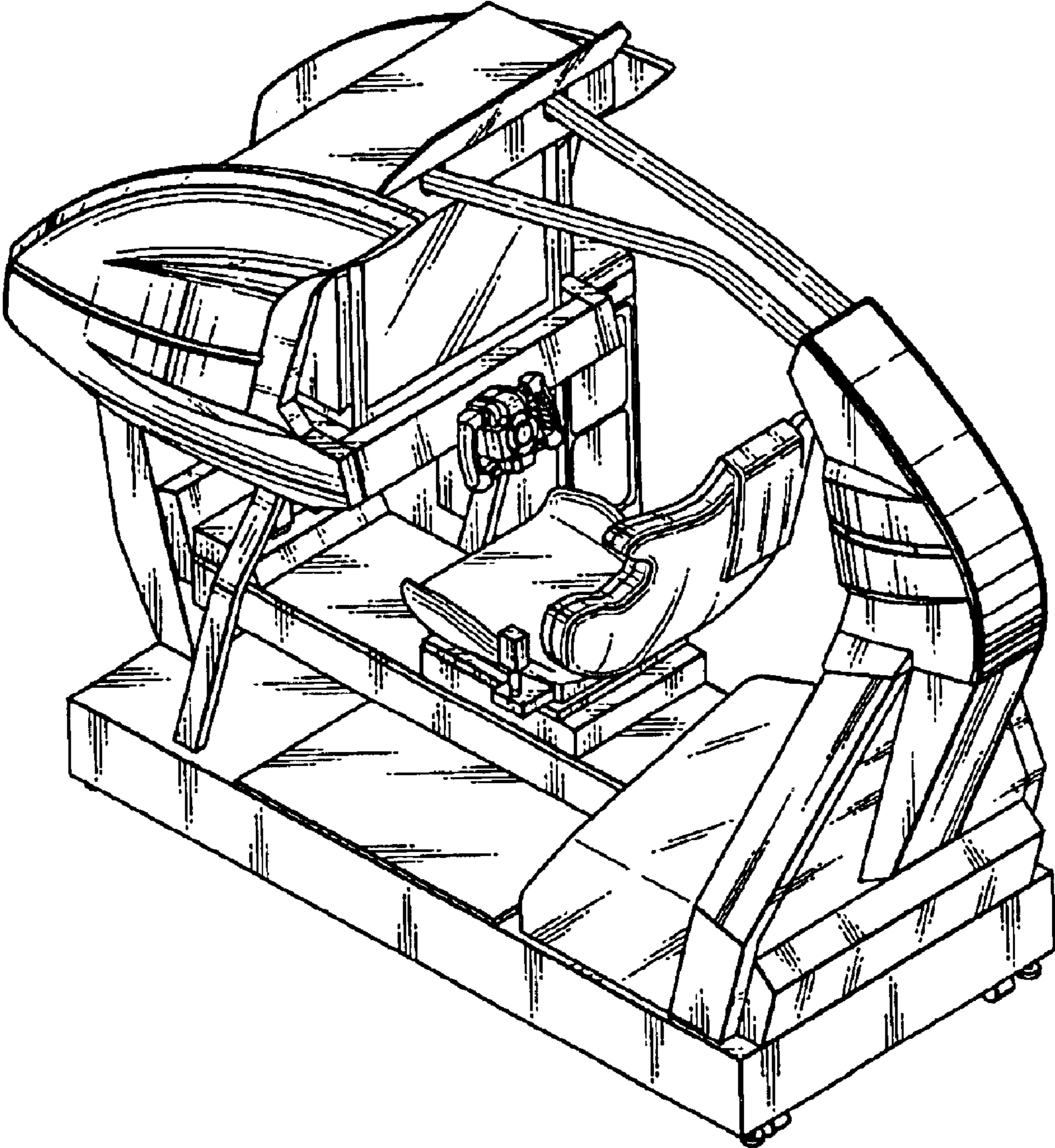


FIG.2

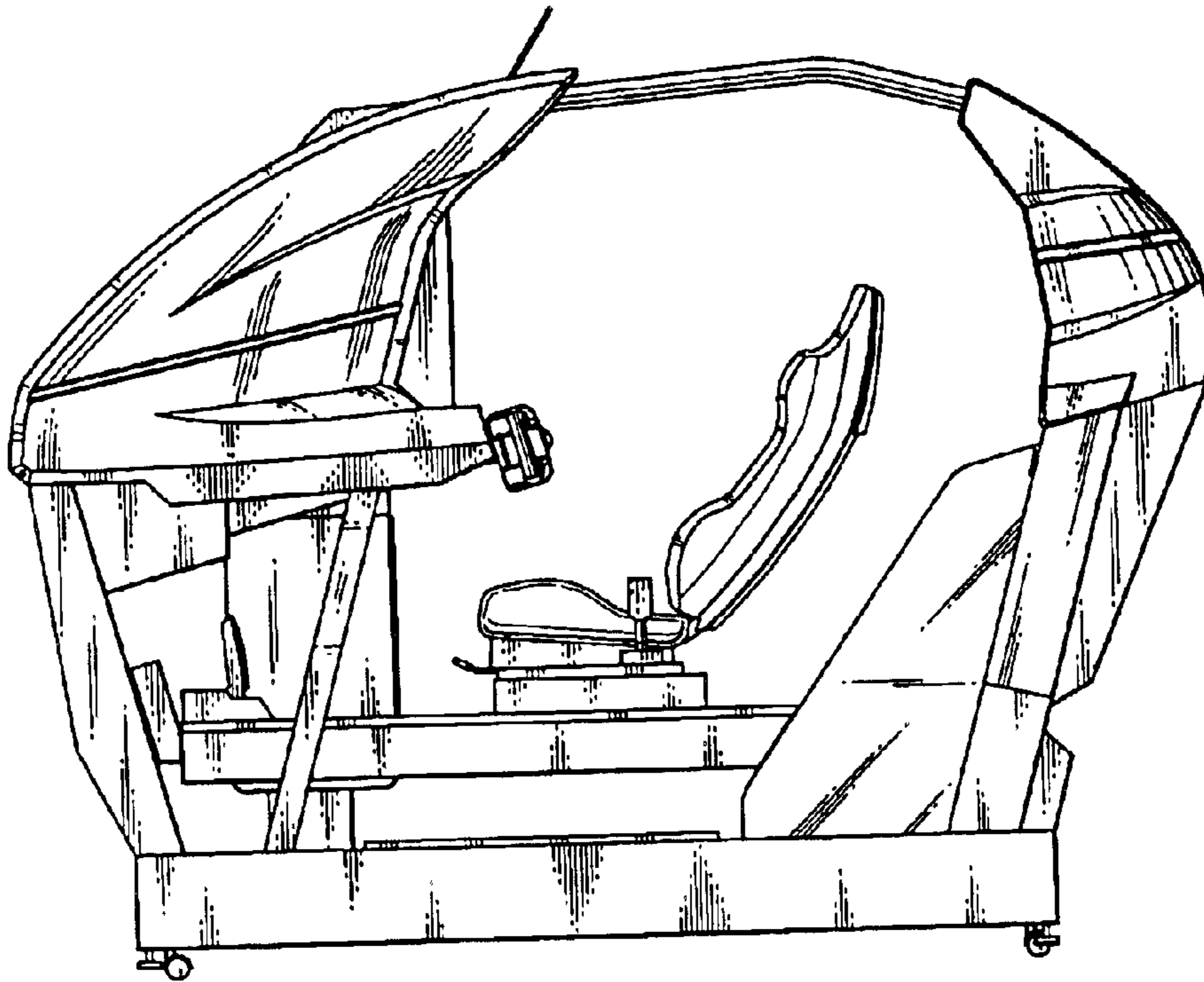


FIG.3

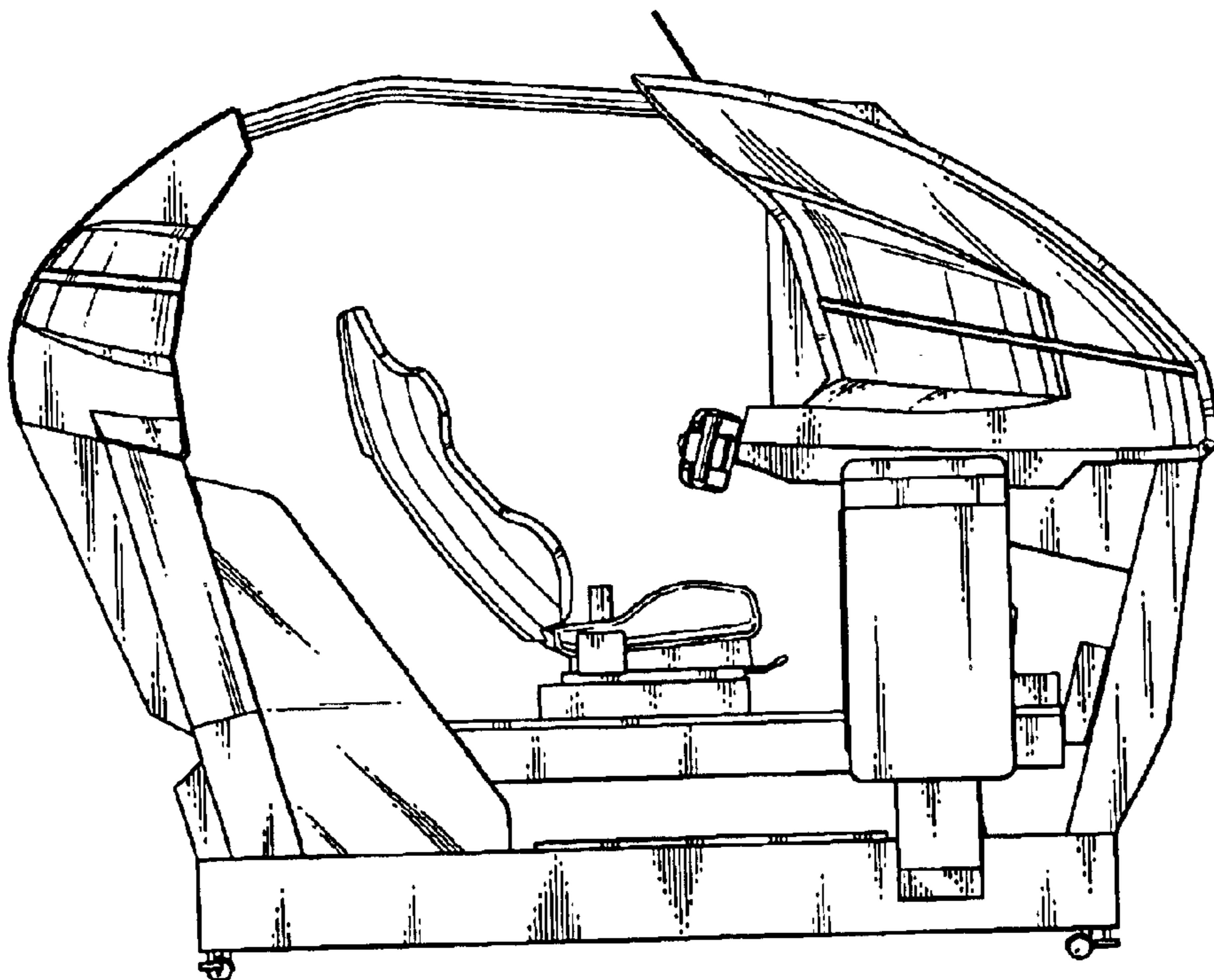


FIG. 4

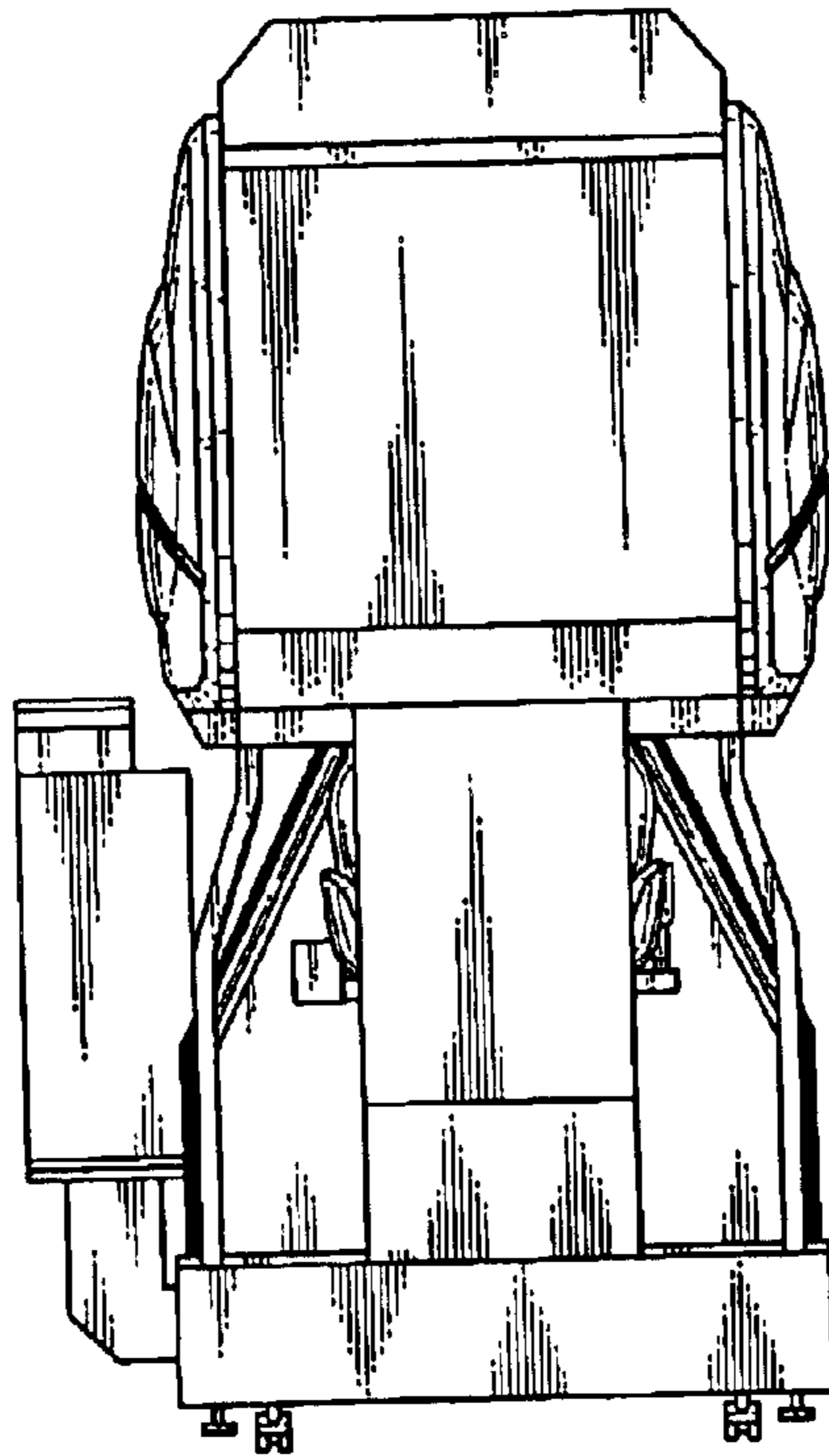


FIG. 5

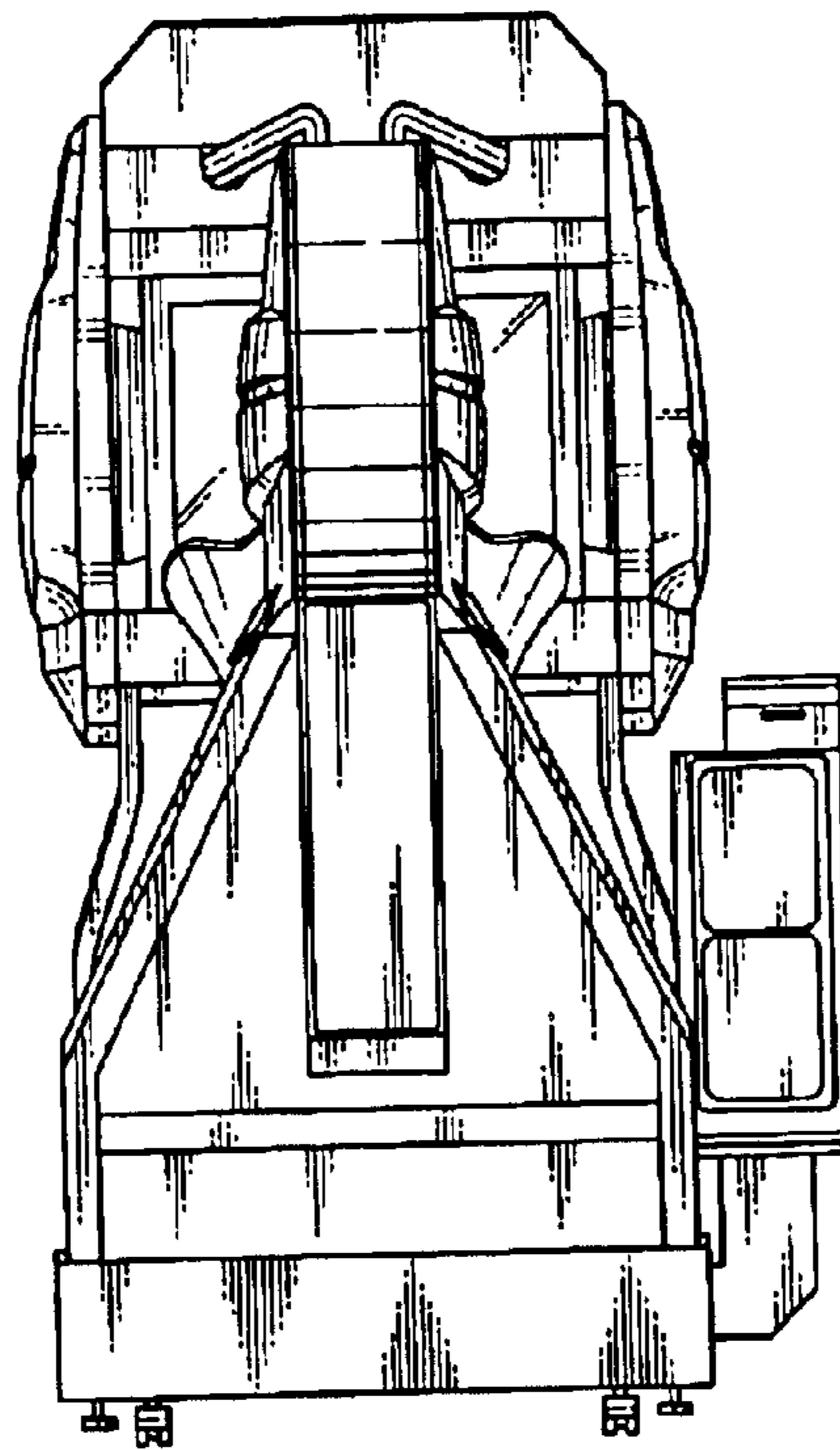


FIG.6

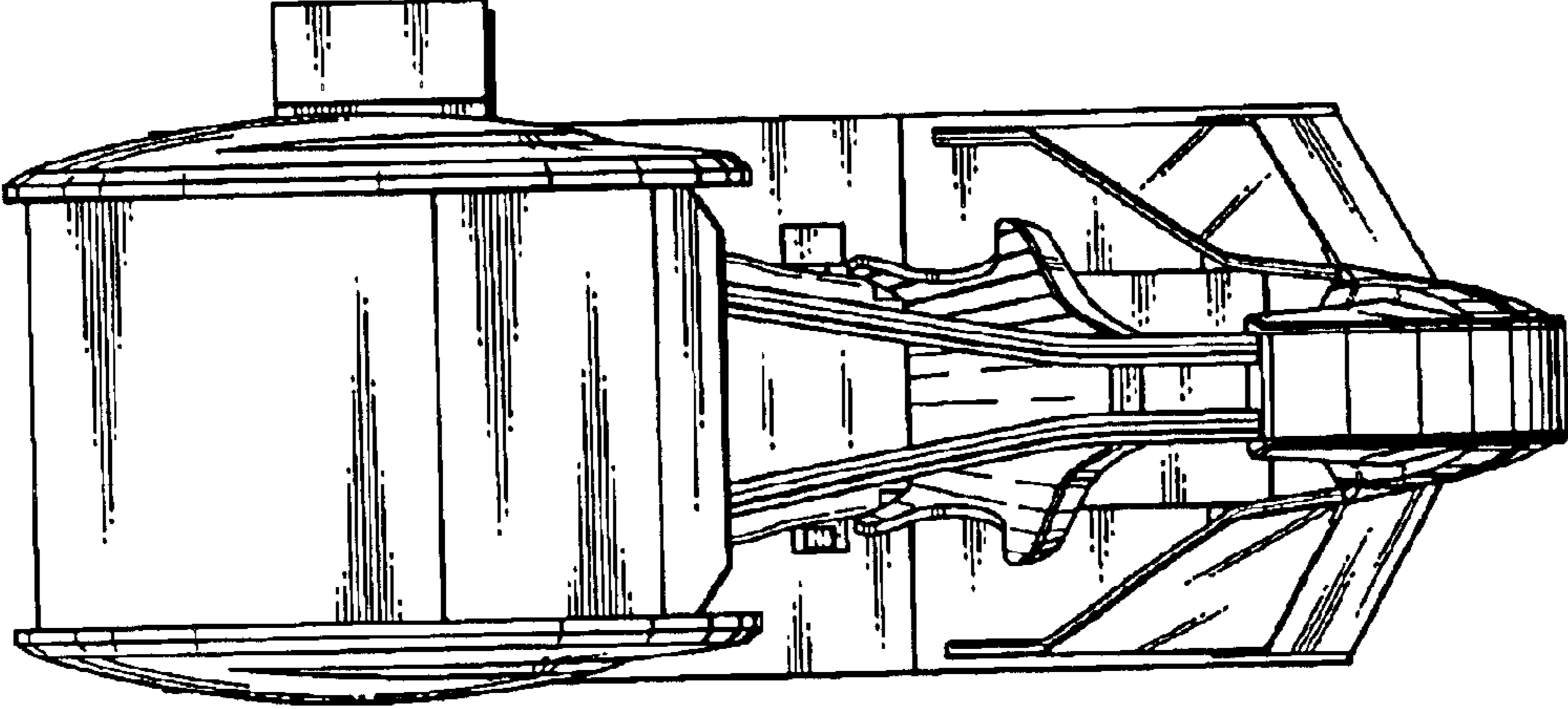


FIG.7

