

US00D500096S

(12) **United States Design Patent**
Medeiros

(10) **Patent No.:** **US D500,096 S**

(45) **Date of Patent:** **** Dec. 21, 2004**

(54) **TOY RIDING VEHICLE**

(76) **Inventor:** **Matthew J. Medeiros**, 1688 Myles Way, Carson City, NV (US) 89701

(**) **Term:** **14 Years**

(21) **Appl. No.:** **29/129,441**

(22) **Filed:** **Sep. 13, 2000**

Related U.S. Application Data

(63) Continuation-in-part of application No. 29/117,166, filed on Jan. 18, 2000, now Pat. No. Des. 435,608.

(51) **LOC (7) Cl.** **21-01**

(52) **U.S. Cl.** **D21/421; D21/423**

(58) **Field of Search** D21/419-435, D21/533, 534, 548-551, 561-563; D12/87, 88, 128, 130, 107, 110, 111; 280/1.13, 87.01, 87.021, 87.041, 87.042, 87.051; 446/160, 447, 428, 456, 465, 470

(56) **References Cited**

U.S. PATENT DOCUMENTS

1,387,675 A * 8/1921 Wordbow 280/87.041

D210,087 S * 2/1968 Higgins D21/423
D291,211 S * 8/1987 Man D21/423
4,828,284 A * 5/1989 Sandgren 280/87.041
D304,210 S * 10/1989 Fonte D21/423
6,120,044 A * 9/2000 Tsai 280/87.041
D433,654 S * 11/2000 Gorvine et al. D21/423

* cited by examiner

Primary Examiner—Raphael Barkai
(74) *Attorney, Agent, or Firm*—Brian C. Kelly

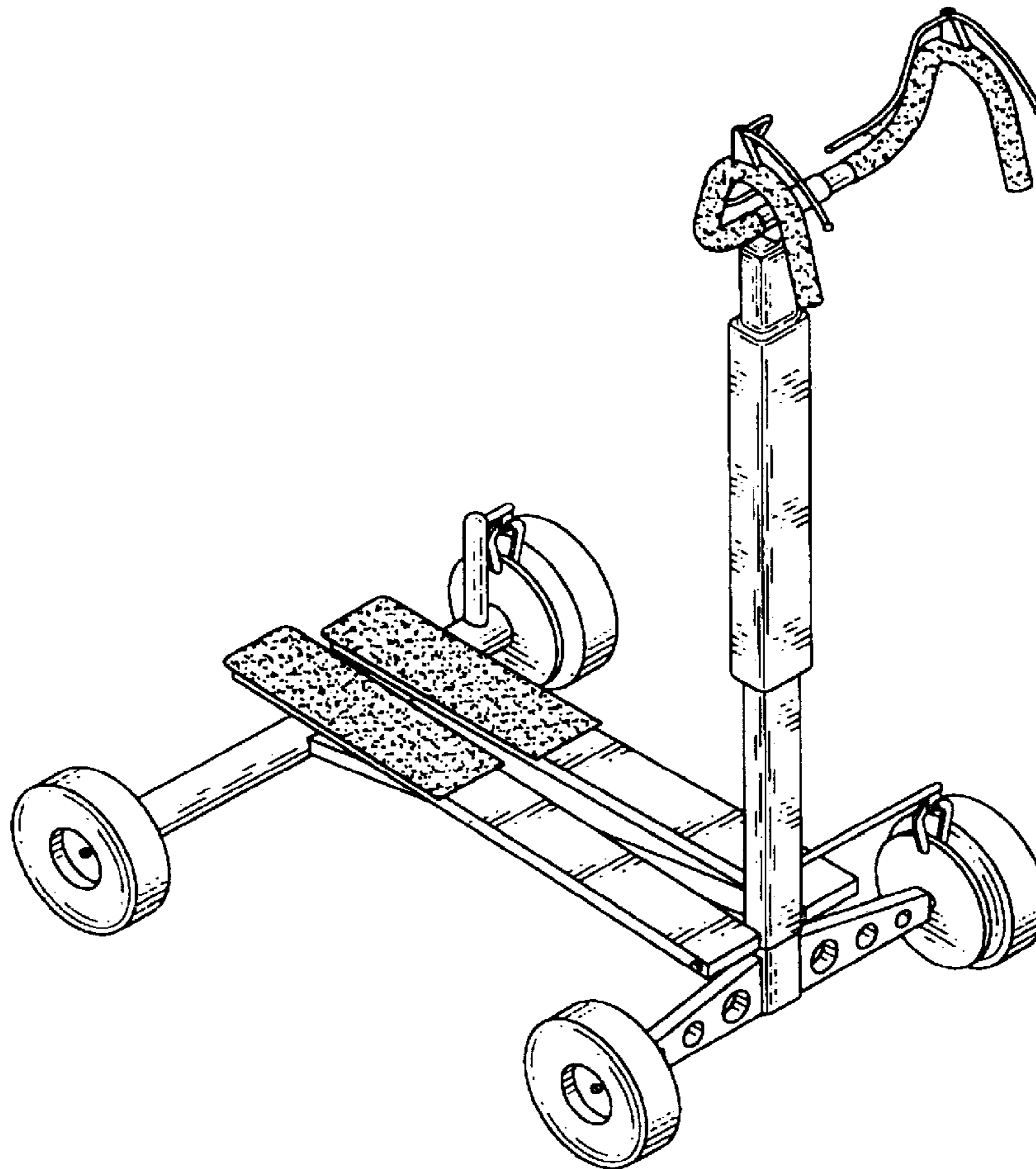
(57) **CLAIM**

The ornamental design for a toy riding vehicle, as shown and described.

DESCRIPTION

FIG. 1: A perspective view.
FIG. 2 is a right side view;
FIG. 3 is a left side view;
FIG. 4 is front view;
FIG. 5 is a rear view; and,
FIG. 6 is a bottom view.

1 Claim, 3 Drawing Sheets



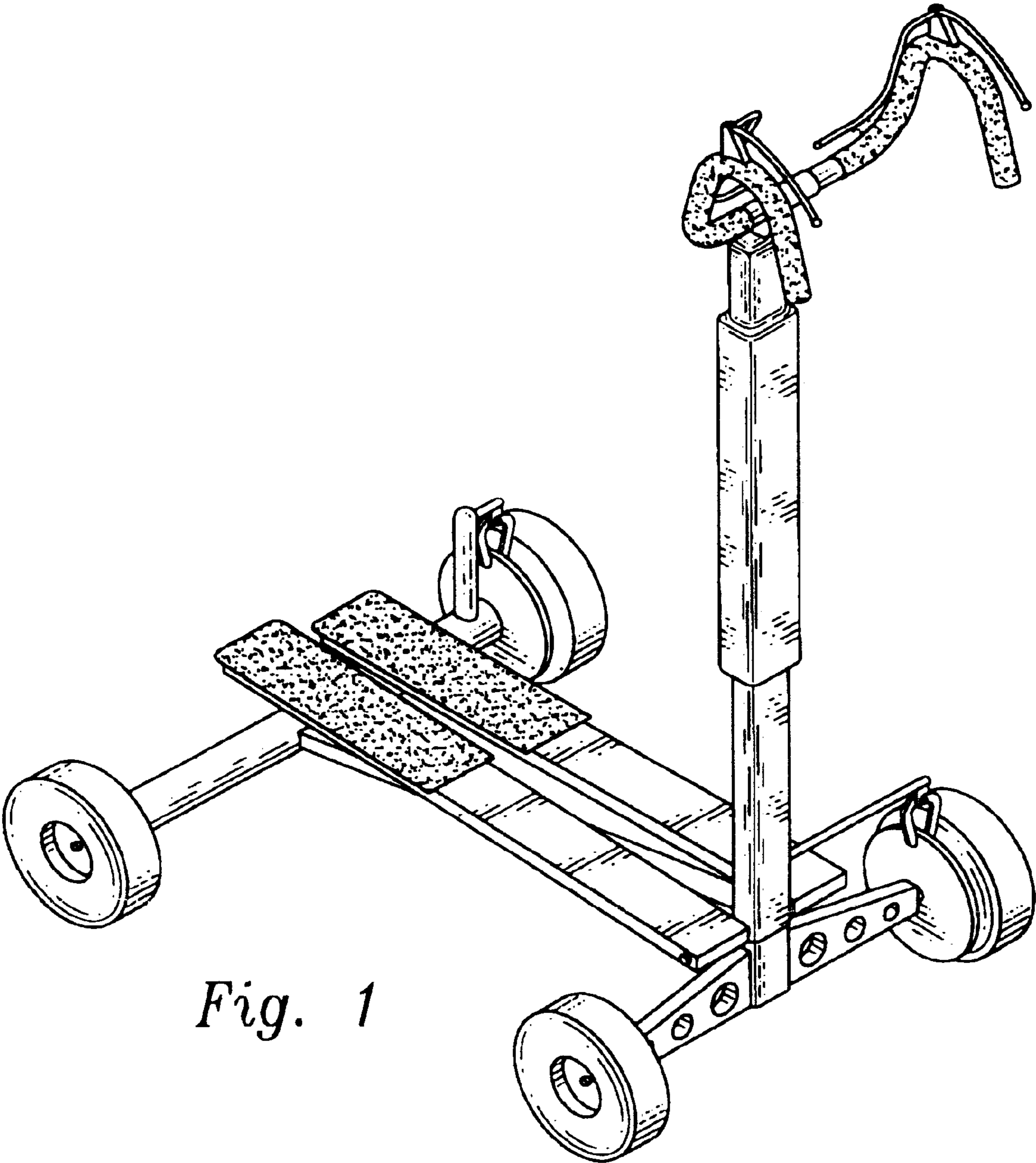


Fig. 1

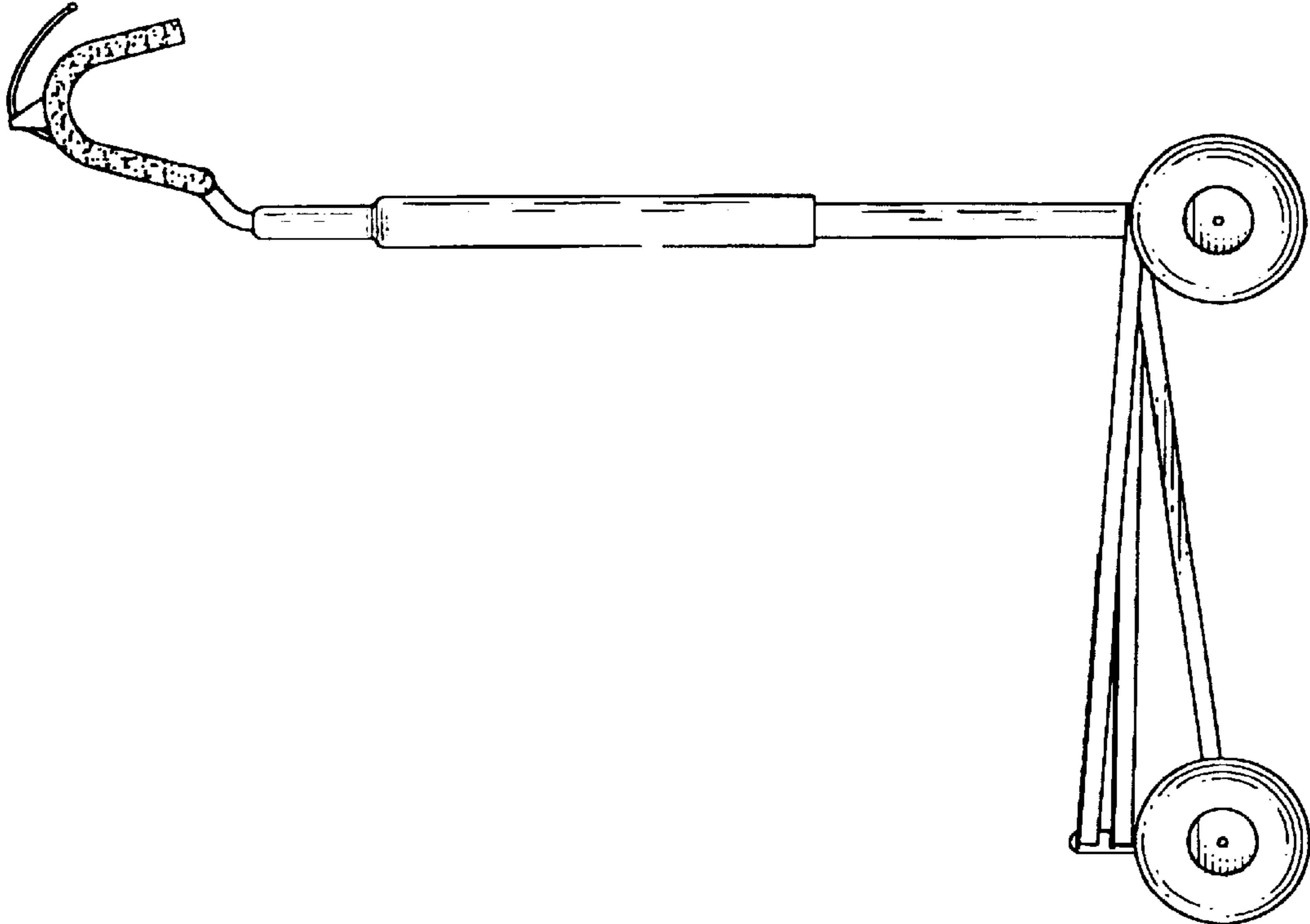


Fig. 3

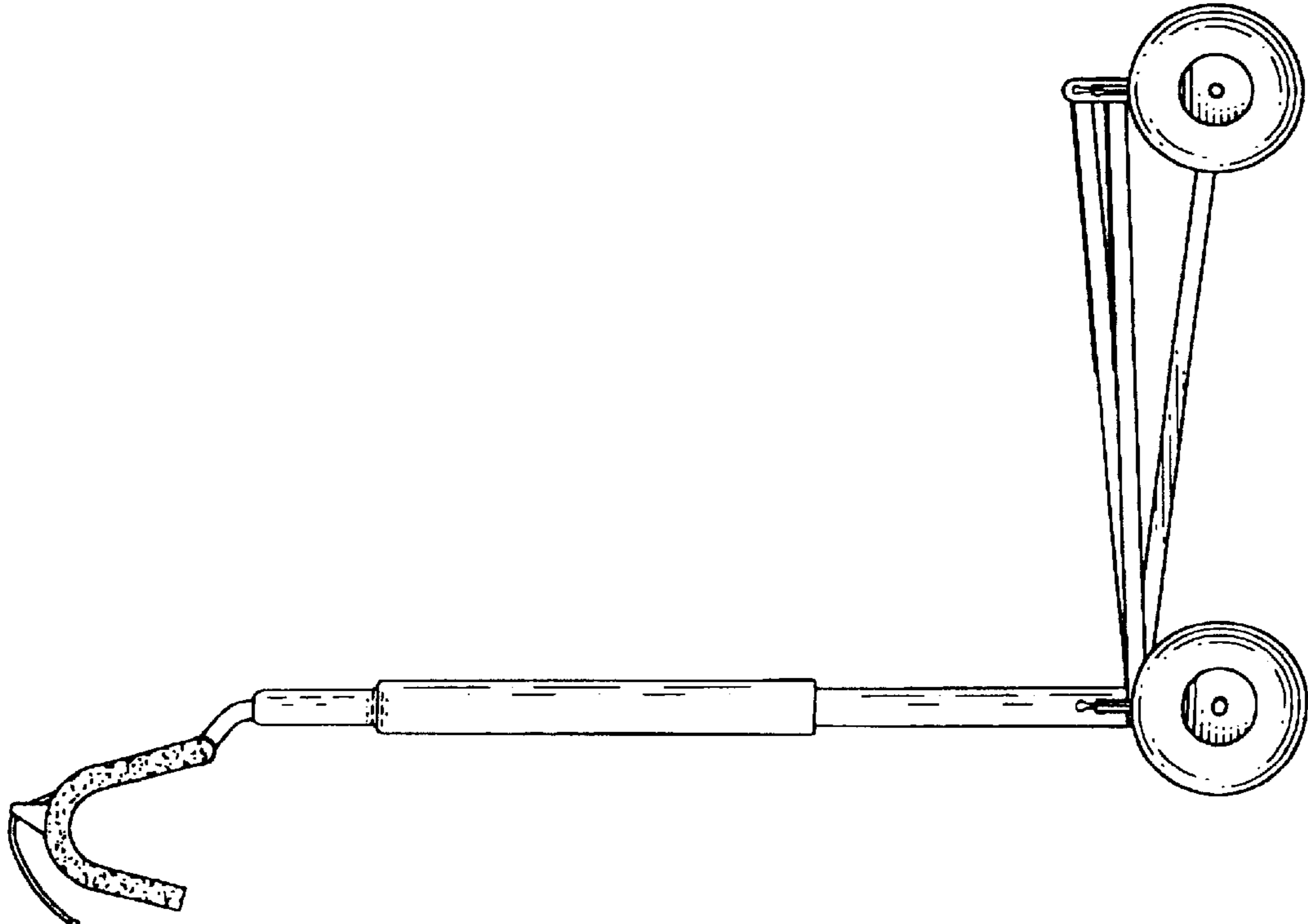


Fig. 2

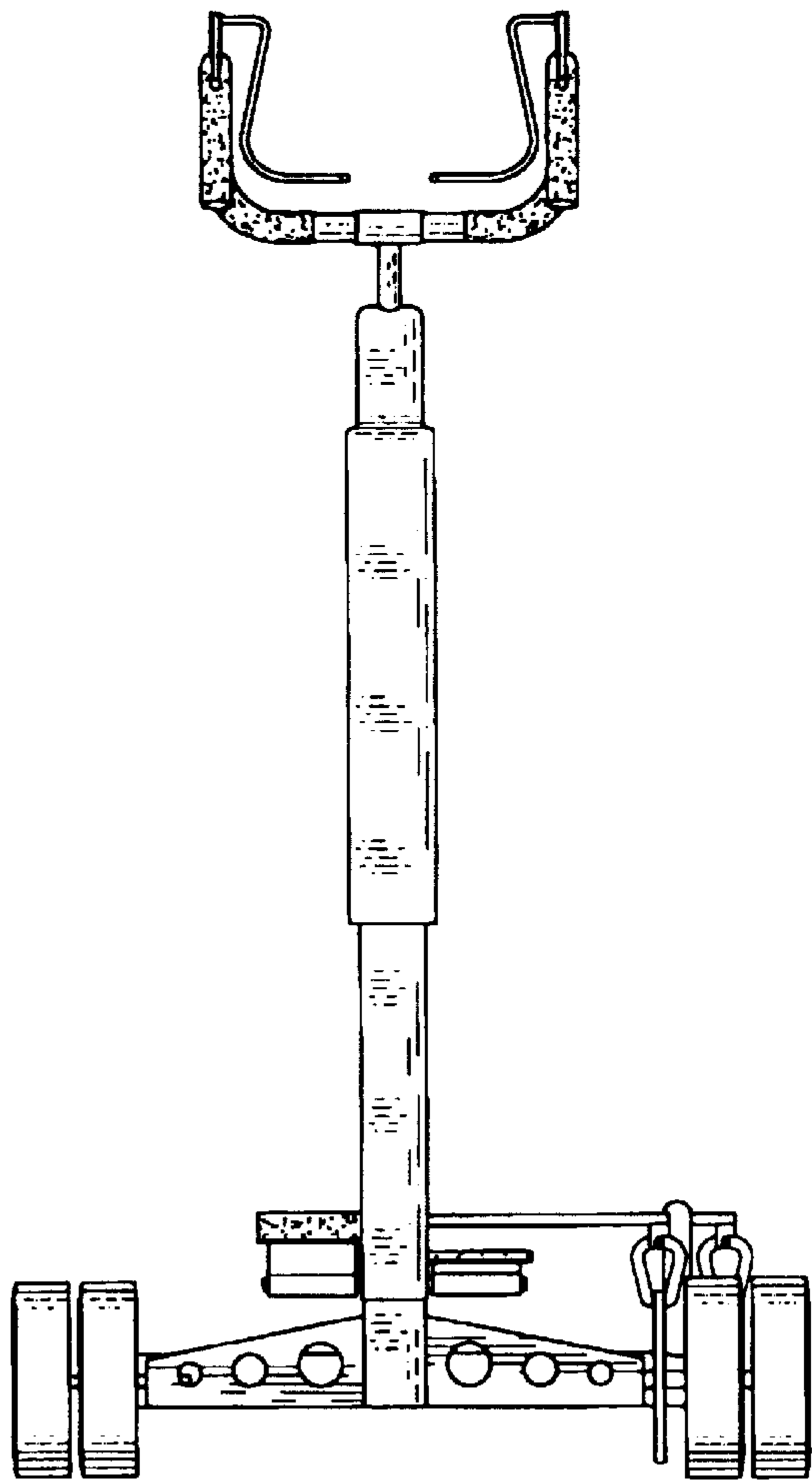


Fig. 4

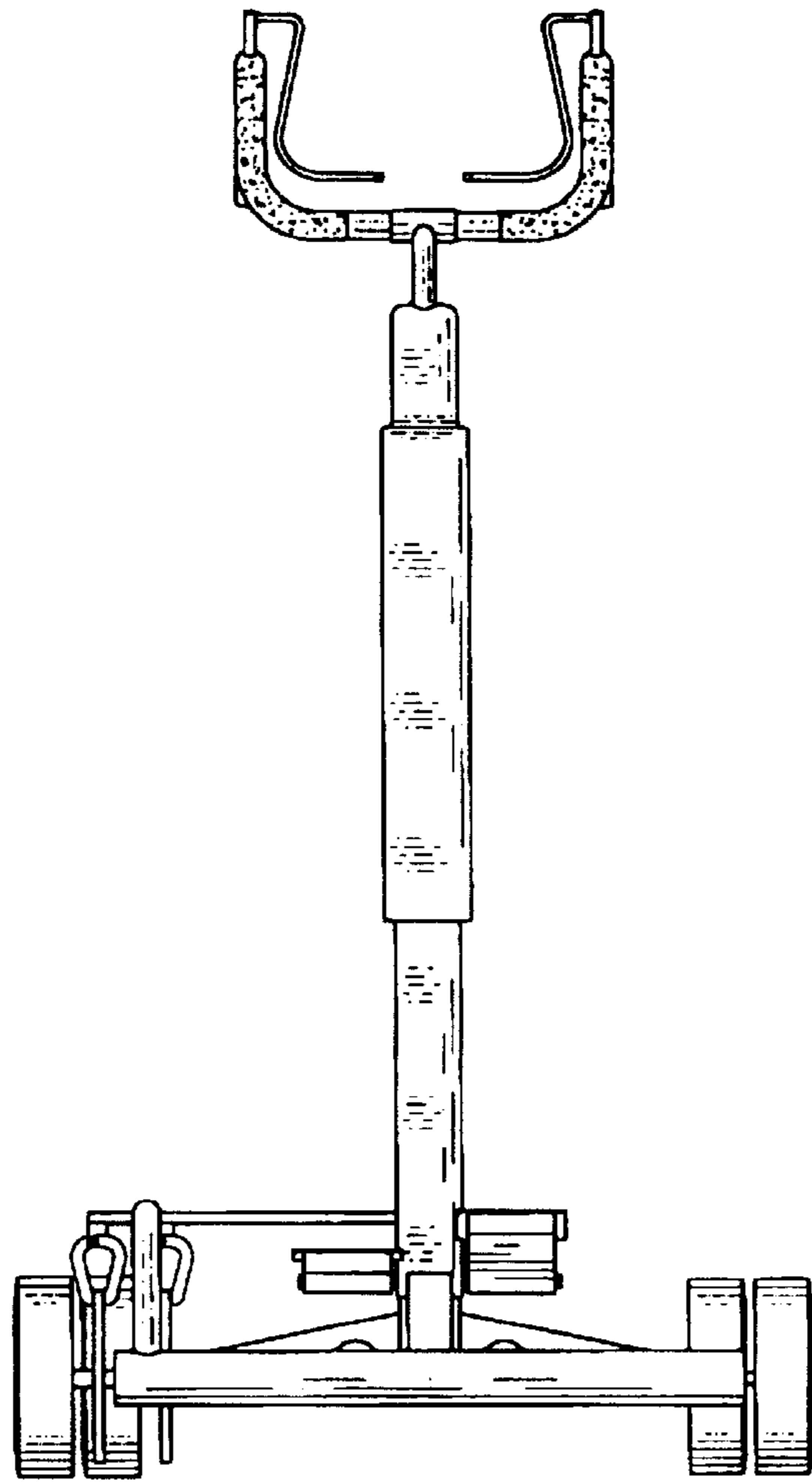


Fig. 5

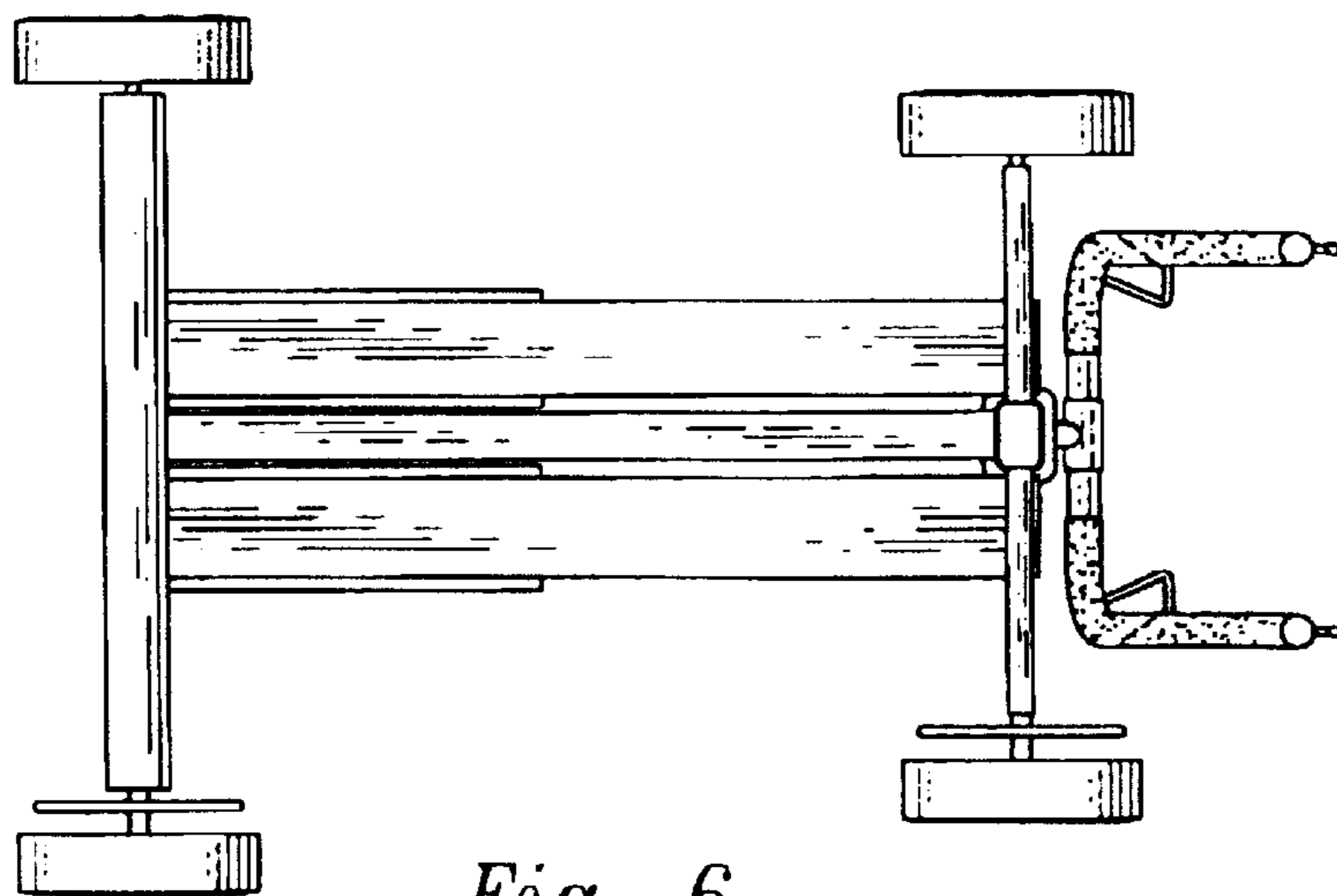


Fig. 6