



US00D500094S

(12) **United States Design Patent**  
**McGahn et al.**

(10) **Patent No.: US D500,094 S**  
(45) **Date of Patent: \*\* Dec. 21, 2004**

(54) **SYMBOL DISPLAY FOR A GAMING DEVICE**

(75) Inventors: **Steven P. McGahn**, Reno, NV (US);  
**Anthony J. Baerlocher**, Reno, NV  
(US); **Kimberley K. Karstens**, Reno,  
NV (US)

(73) Assignee: **IGT**, Reno, NV (US)

(\*\*) Term: **14 Years**

(21) Appl. No.: **29/198,863**

(22) Filed: **Feb. 4, 2004**

**Related U.S. Application Data**

(62) Division of application No. 29/167,550, filed on Sep. 16,  
2002, now Pat. No. Des. 490,478.

(51) **LOC (7) Cl.** ..... **21-03**

(52) **U.S. Cl.** ..... **D21/370; D21/385**

(58) **Field of Search** ..... D19/75, 92, 95;  
D20/10, 13, 19-21, 40; D21/325, 329,  
369-371, 385; D25/108, 122; 40/211, 473,  
493, 768, 600, 790, 797; 116/307, 315;  
463/16-17, 20, 25, 46-47; D6/300

(56) **References Cited**

**U.S. PATENT DOCUMENTS**

188,009	A	*	3/1877	Galindo	40/768
322,210	A	*	7/1885	Taylor	434/403
593,036	A	*	11/1897	Stuparich	40/768
2,603,018	A	*	7/1952	Cross	40/768
2,635,227	A	*	4/1953	Liotta	40/211
2,827,722	A	*	3/1958	Leclerc	40/209
3,382,595	A	*	5/1968	Shore	40/768
3,787,992	A	*	1/1974	Leonhardt	40/743
3,822,569	A	*	7/1974	Lautrup-Larsen	446/85
3,826,026	A	*	7/1974	Bevan	40/600
D233,572	S	*	11/1974	Norrbohm	D20/15
4,028,829	A	*	6/1977	Murray	40/493
D246,373	S	*	11/1977	Crandell et al.	D19/92
4,198,052	A		4/1980	Gauselmann	
4,446,810	A	*	5/1984	Bressi	116/307
D308,399	S	*	6/1990	Mori	D20/10
5,822,900	A	*	10/1998	Armstrong	40/473

6,186,894	B1	2/2001	Mayeroff	
6,190,254	B1	2/2001	Bennett	
D445,262	S	*	7/2001	Rowan ..... D6/300
D445,841	S	7/2001	Sabo	
D458,311	S	6/2002	Seelig et al.	
D463,504	S	9/2002	Stephan	
6,775,935	B1	*	8/2004	Cohen et al. .... 40/600

**OTHER PUBLICATIONS**

Take Your Pick Advertisement written by IGT, published in 1999.

Take Your Pick Article written by Strictly Slots (Anchor Games), published in Mar. 2001.

Top Dollar Advertisement written by IGT, published 1998.

\* cited by examiner

*Primary Examiner*—Sandra L. Morris

(74) *Attorney, Agent, or Firm*—Bell, Boyd & Lloyd LLC

(57) **CLAIM**

The ornamental design for a symbol display for a gaming device, as shown and described.

**DESCRIPTION**

This application is related to the following commonly-owned co-pending patent applications: “Gaming Device Having Symbol Displays,” Ser. No. 29/198,757; “Gaming Device Having Symbol Displays,” Ser. No. 29/198,753, and “Gaming Device Having Symbol Displays,” Ser. No. 29/198,864.

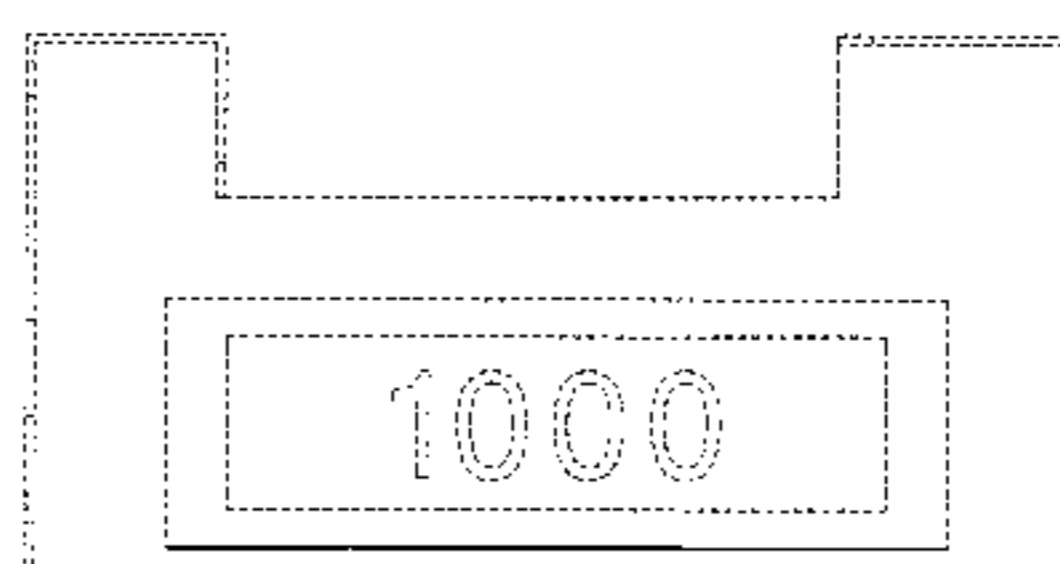
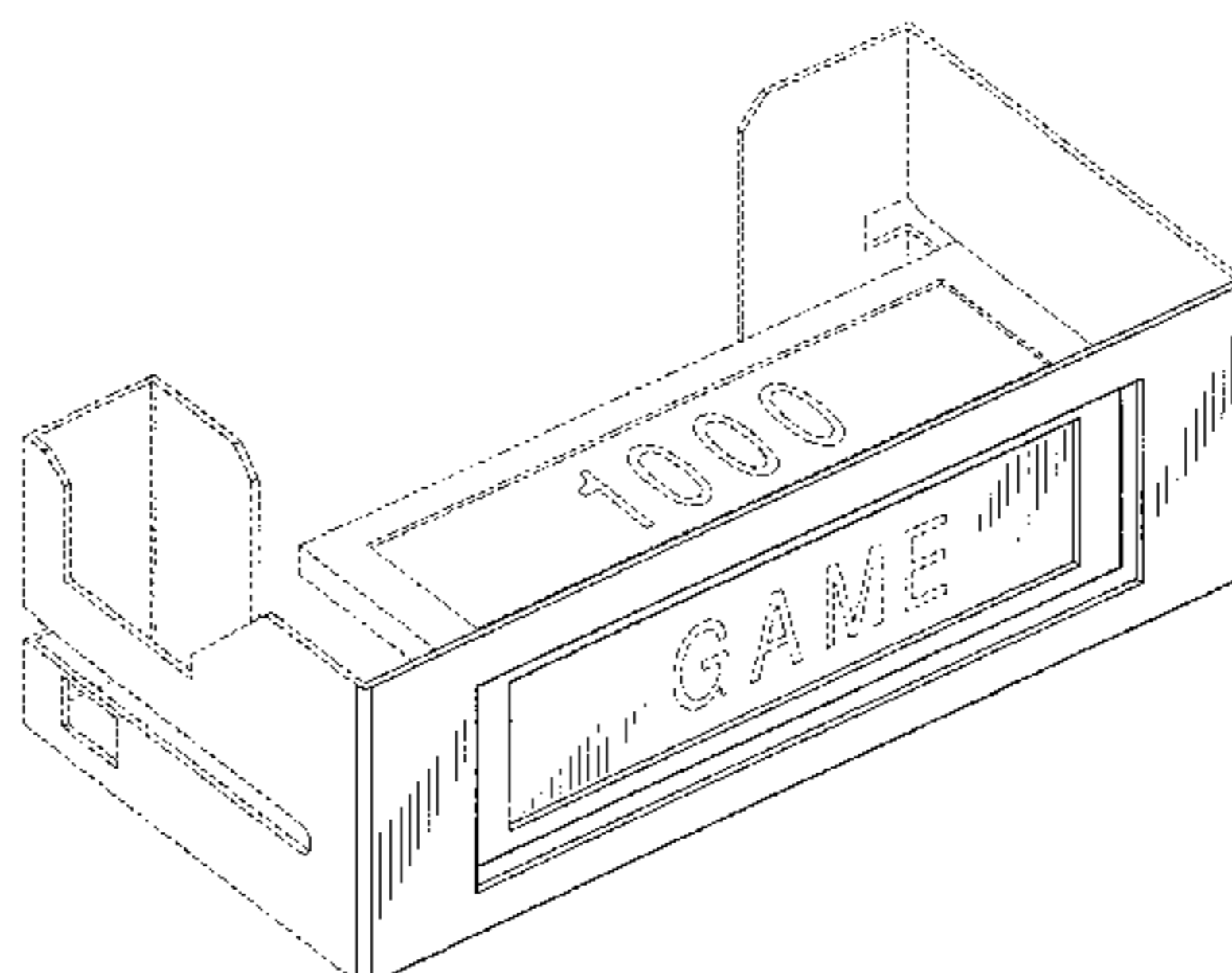
FIG. 1 is a front perspective view a symbol display for a gaming device of our new design, that fragmentary portion of the symbol display shown in phantom is not part of the design sought to be patented and is provided for environmental purposes only;

FIG. 2 is a front elevation view of the symbol display for a gaming device of our new design illustrated in FIG. 1;

FIG. 3 is a top plan view of the symbol display for a gaming device of our new design illustrated in FIG. 1; and,

FIG. 4 is a left side elevation view of the symbol display for a gaming device of our new design illustrated in FIG. 1, the right side being the mirror image thereof.

**1 Claim, 2 Drawing Sheets**



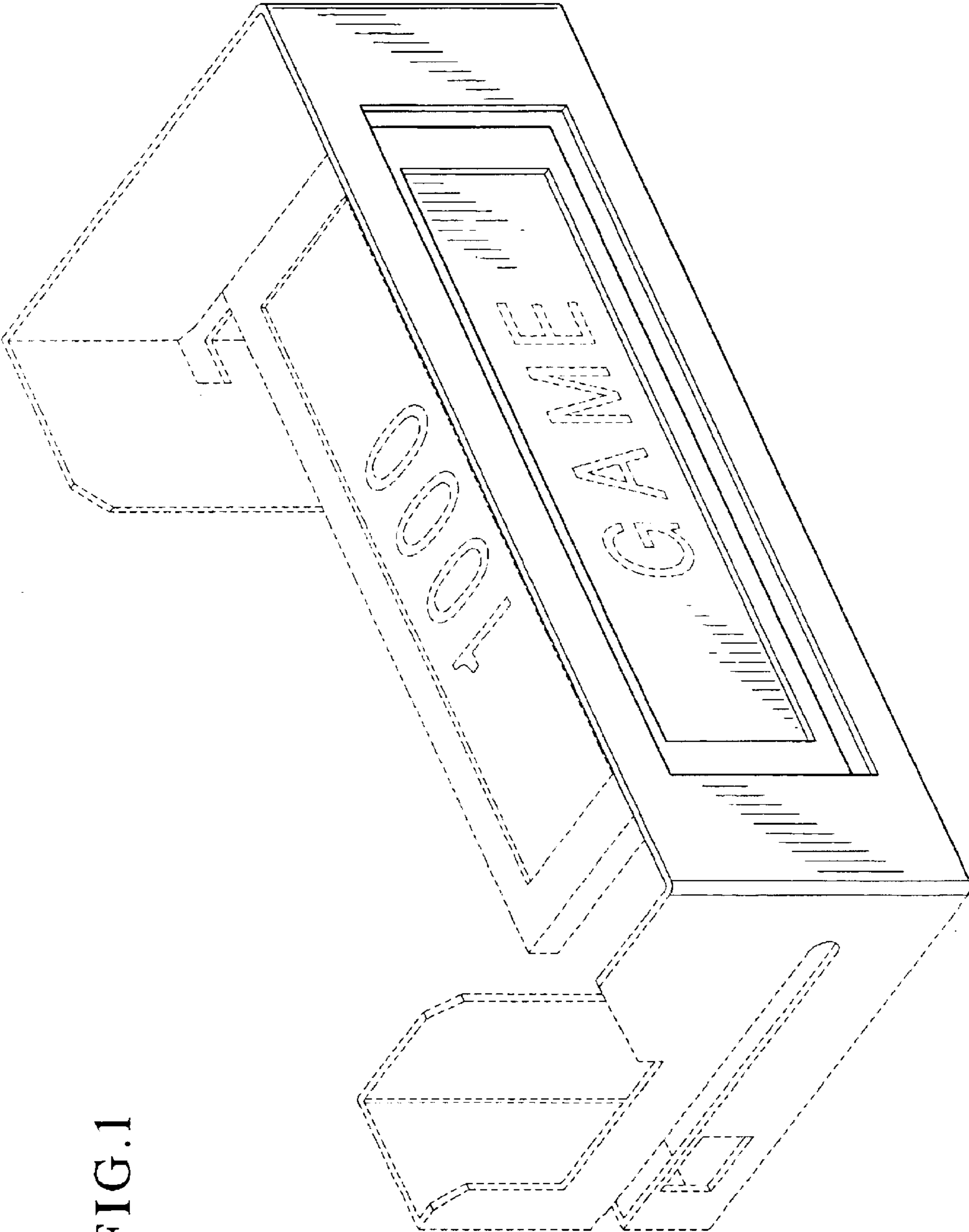


FIG.1

FIG. 2

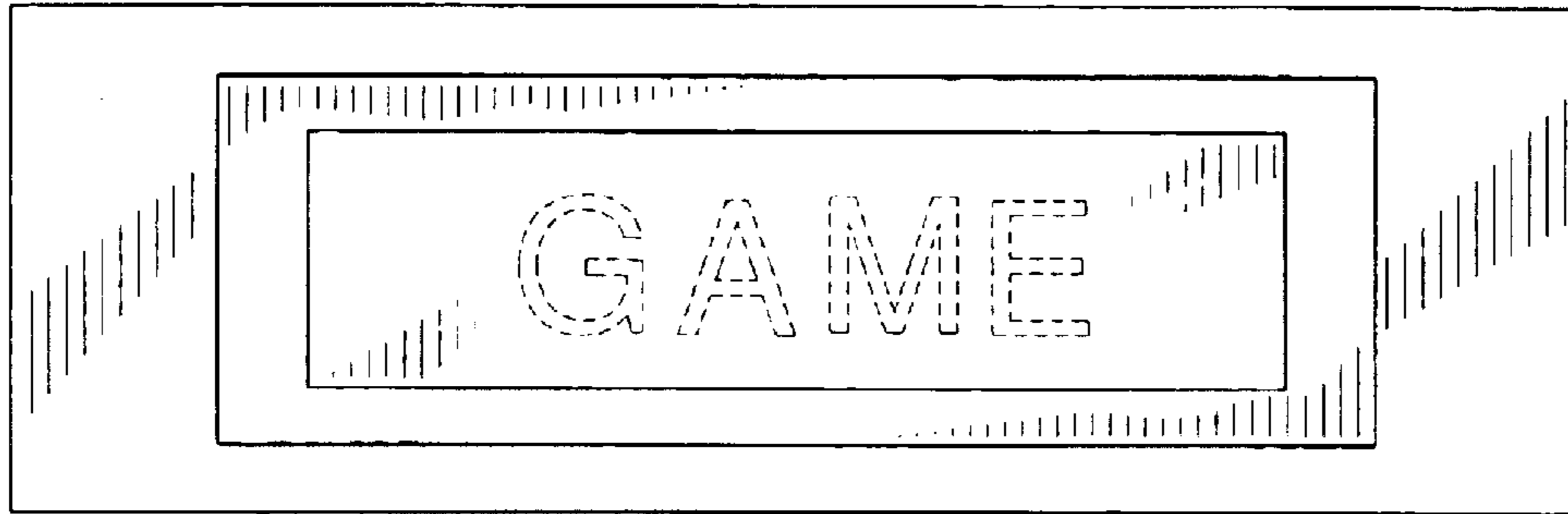


FIG. 3

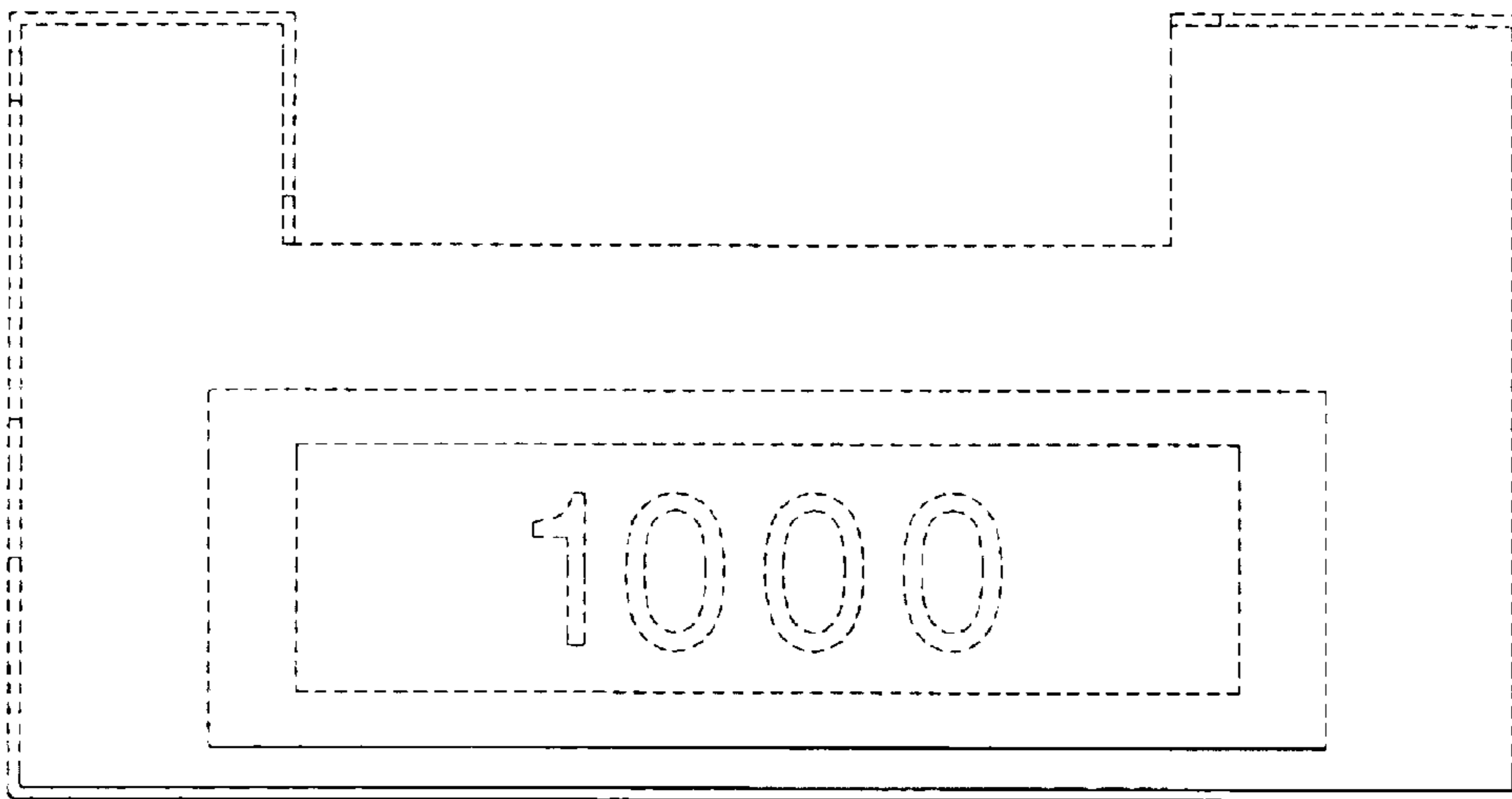


FIG. 4

