

US00D500093S

(12) **United States Design Patent**
McGahn et al.

(10) **Patent No.: US D500,093 S**
(45) **Date of Patent: ** Dec. 21, 2004**

(54) **GAMING DEVICE HAVING SYMBOL DISPLAYS**

(75) Inventors: **Steven P. McGahn**, Reno, NV (US);
Anthony J. Baerlocher, Reno, NV (US);
Kimberley K. Karstens, Reno, NV (US)

(73) Assignee: **IGT**, Reno, NV (US)

(**) Term: **14 Years**

(21) Appl. No.: **29/198,753**

(22) Filed: **Feb. 3, 2004**

Related U.S. Application Data

(62) Division of application No. 29/167,550, filed on Sep. 16, 2002, now Pat. No. Des. 490,478.

(51) **LOC (7) Cl.** **21-03**

(52) **U.S. Cl.** **D21/370; D21/385**

(58) **Field of Search** D19/75, 92, 95;
D20/10, 15, 21; D21/325, 329, 369-371,
385; D25/108, 122; 40/211, 473, 493; 116/307,
315; 463/16-17, 20, 25, 46-47

(56) **References Cited**

U.S. PATENT DOCUMENTS

1,279,003 A	*	9/1918	Reich	40/211
2,635,227 A	*	4/1953	Liotta	40/211
D233,572 S	*	11/1974	Norrbohm	D20/15
4,028,829 A	*	6/1977	Murray	40/493
D246,373 S	*	11/1977	Crandell et al.	D19/92
4,198,052 A		4/1980	Gauselmann		
4,446,810 A	*	5/1984	Bressi	116/307

5,822,900 A	*	10/1998	Armstrong	40/473
6,186,894 B1		2/2001	Mayeroff		
6,190,254 B1		2/2001	Bennett		
D445,841 S		7/2001	Sabo		
D458,311 S		6/2002	Seelig et al.		
D463,504 S		9/2002	Stephan		

OTHER PUBLICATIONS

Take Your Pick Advertisement written by IGT, published in 1999.

Take Your Pick Article written by Strictly Slots (Anchor Games), published in Mar. 2001.

Top Dollar Advertisement written by IGT, published 1998.

* cited by examiner

Primary Examiner—Sandra L. Morris

(74) *Attorney, Agent, or Firm*—Bell, Boyd & Lloyd LLC

(57) **CLAIM**

The ornamental design for a symbol display for a gaming device, as shown and described.

DESCRIPTION

FIG. 1 is a front perspective view of the symbol display for a gaming device of our new design, that portion of the gaming device shown in phantom is not part of the design sought to be patented and is provided for environmental purposes only;

FIG. 2 is a rear elevation view thereof;

FIG. 3 is a front elevational view thereof;

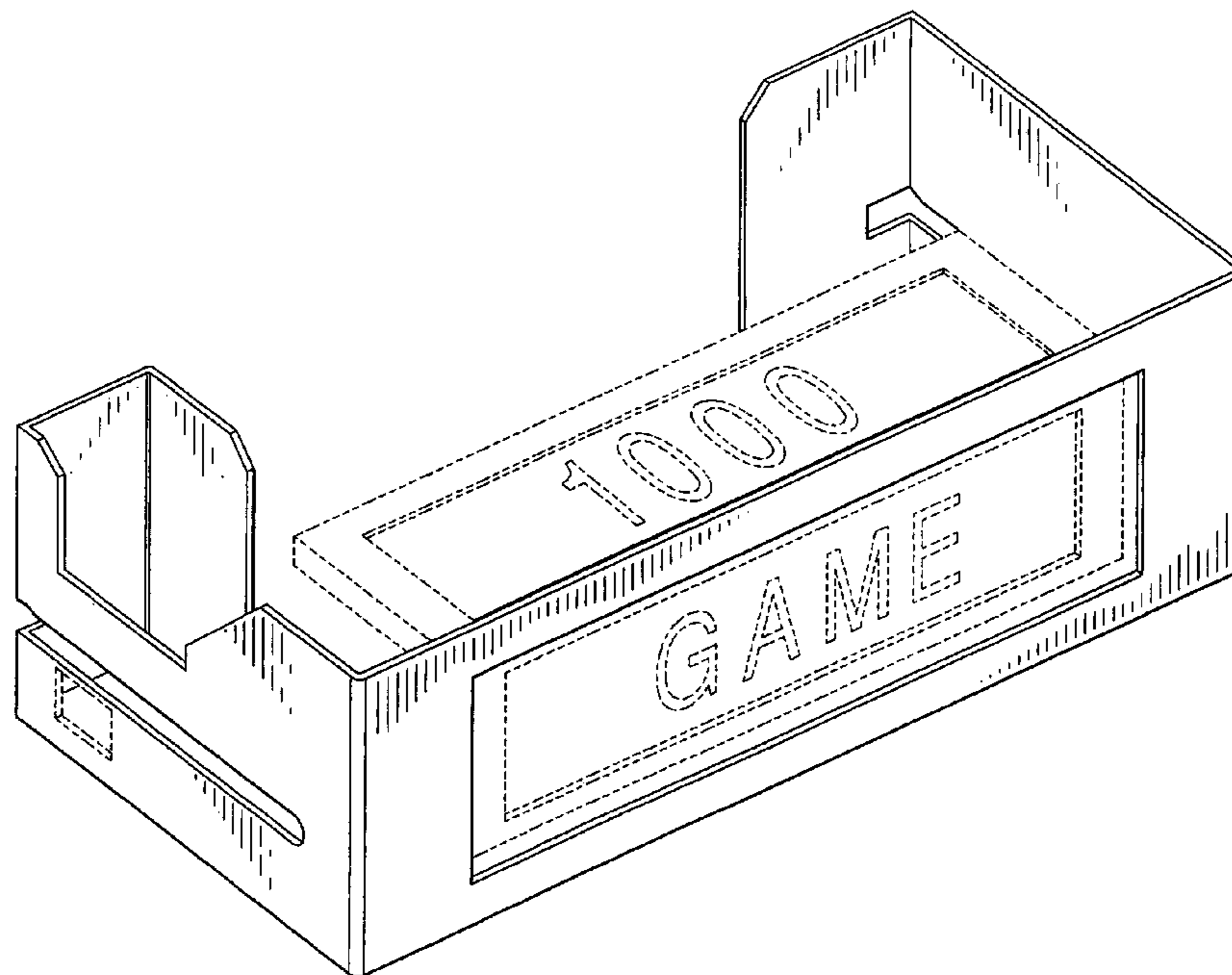
FIG. 4 is a top plan view thereof;

FIG. 5 is a bottom plan view thereof;

FIG. 6 is a left side elevational view thereof; and,

FIG. 7 is a right side elevational view thereof.

1 Claim, 4 Drawing Sheets



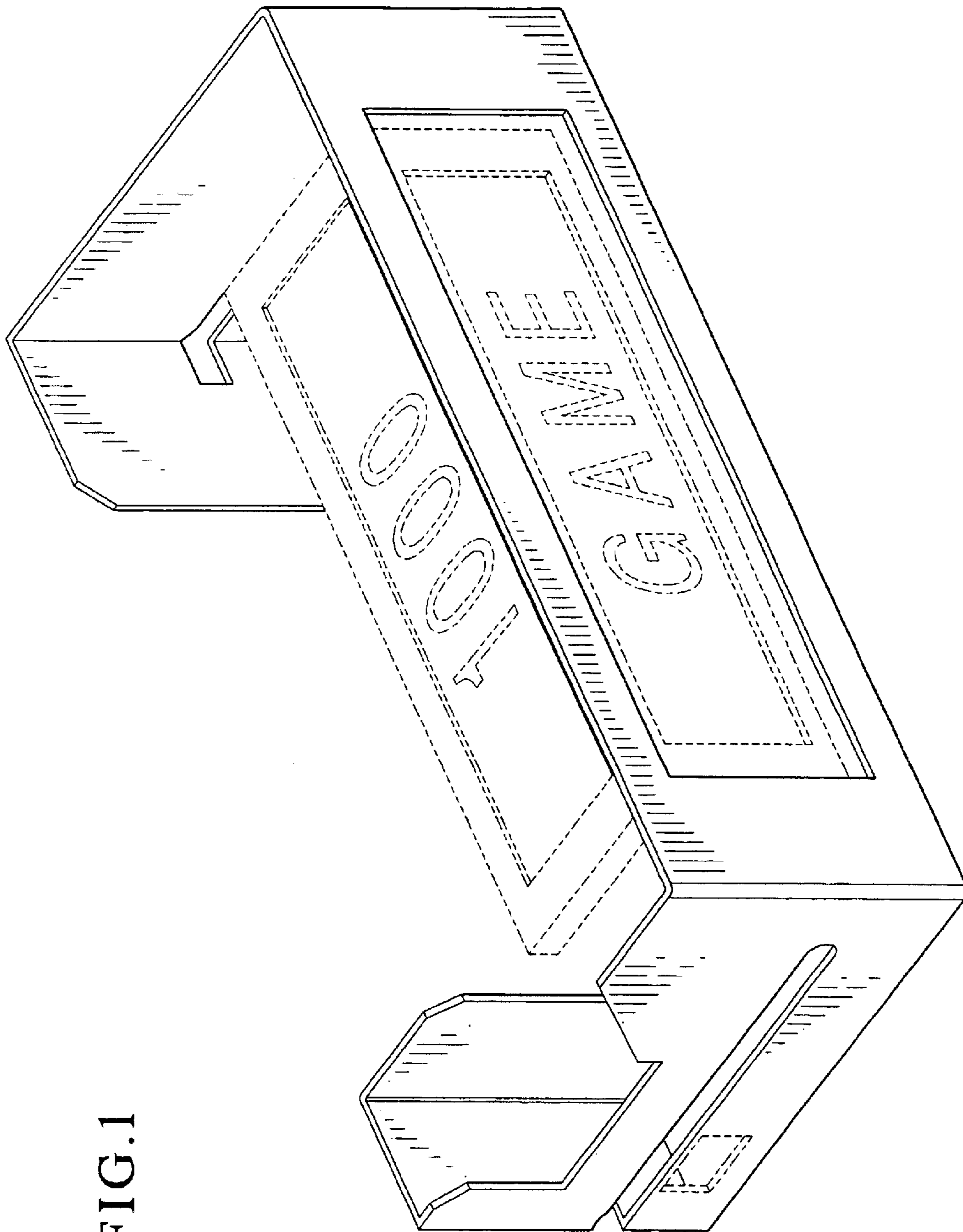


FIG.1

FIG. 2

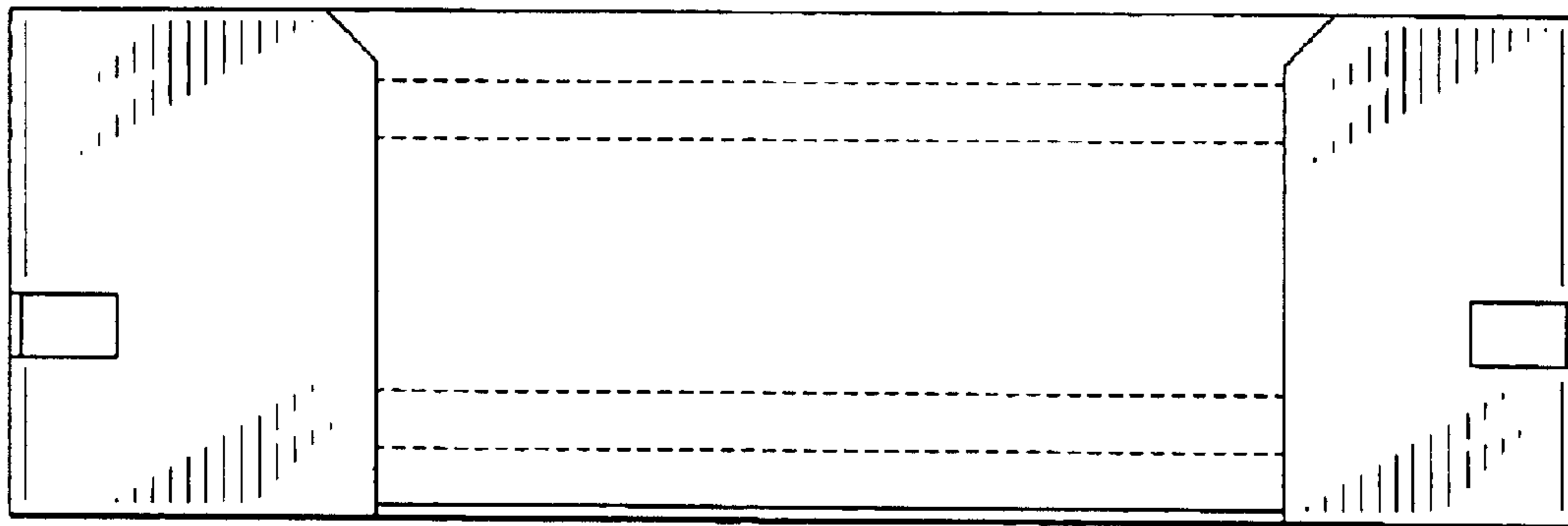


FIG. 3

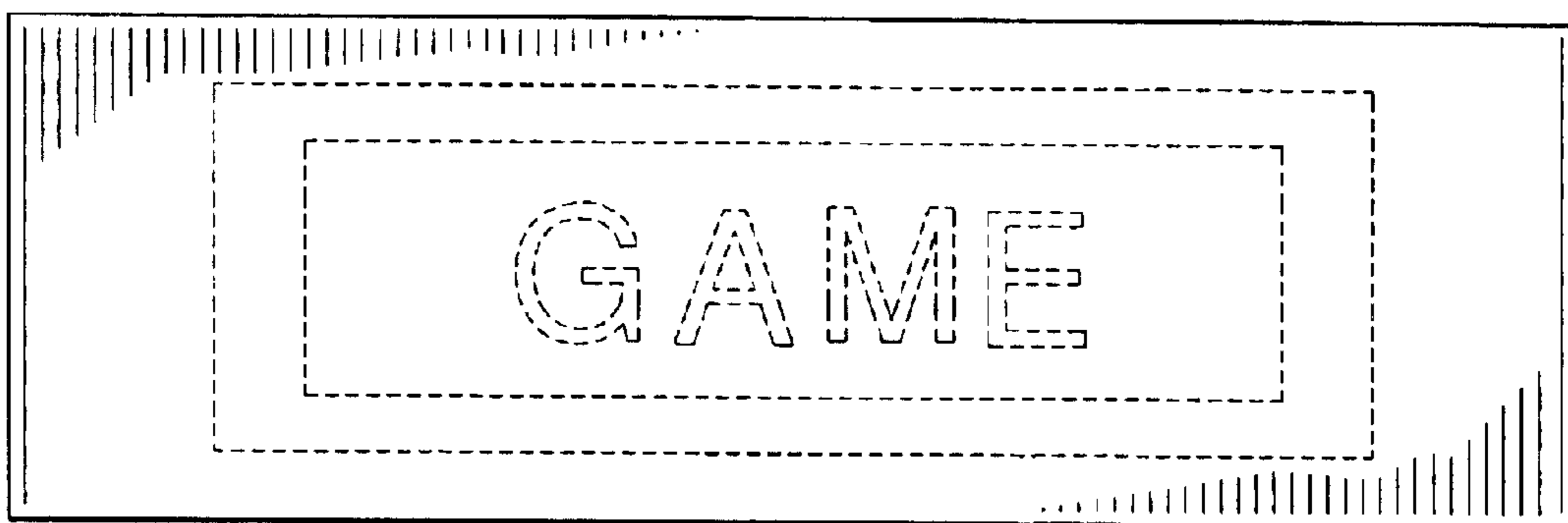


FIG. 4

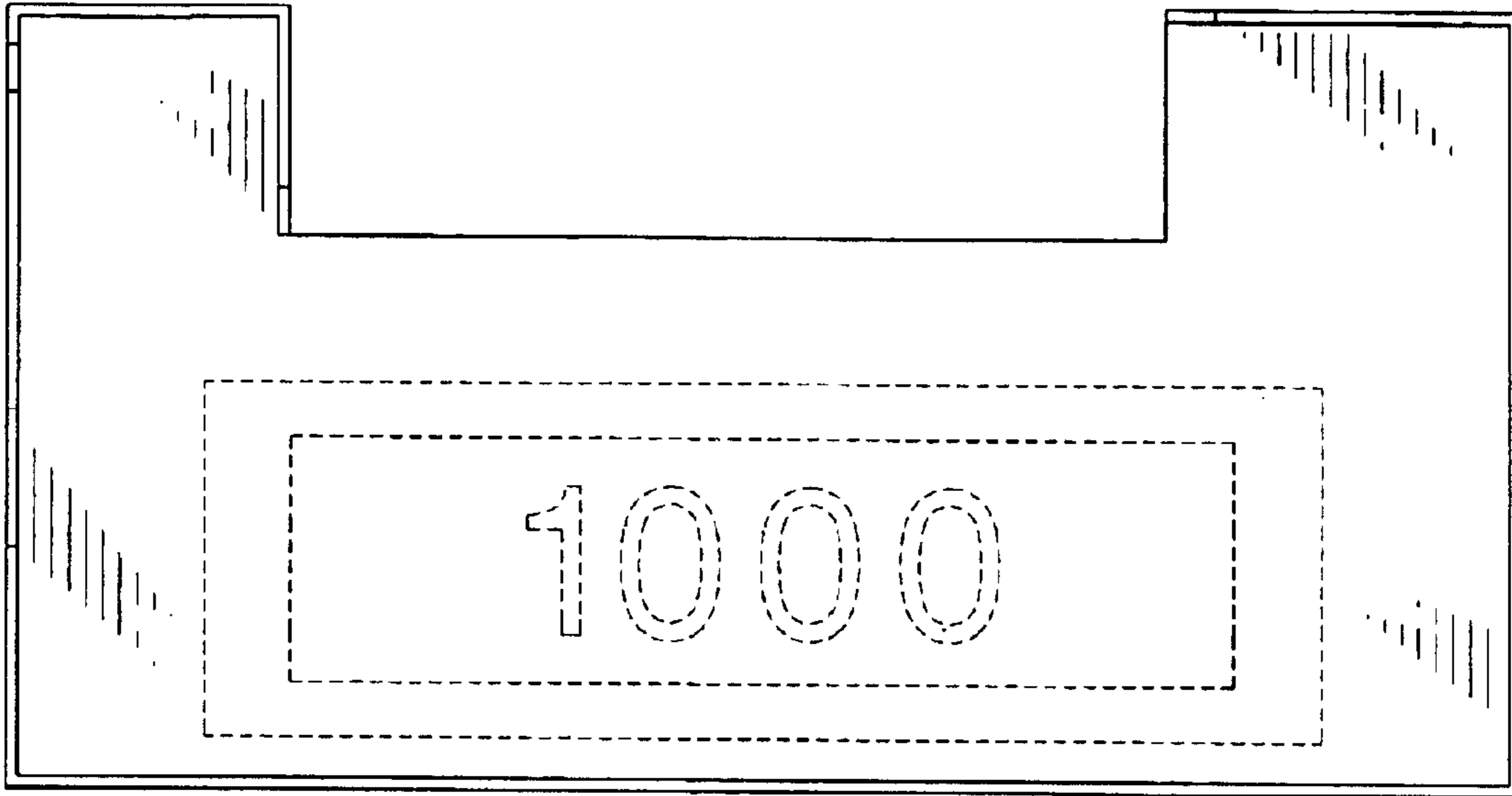


FIG. 5

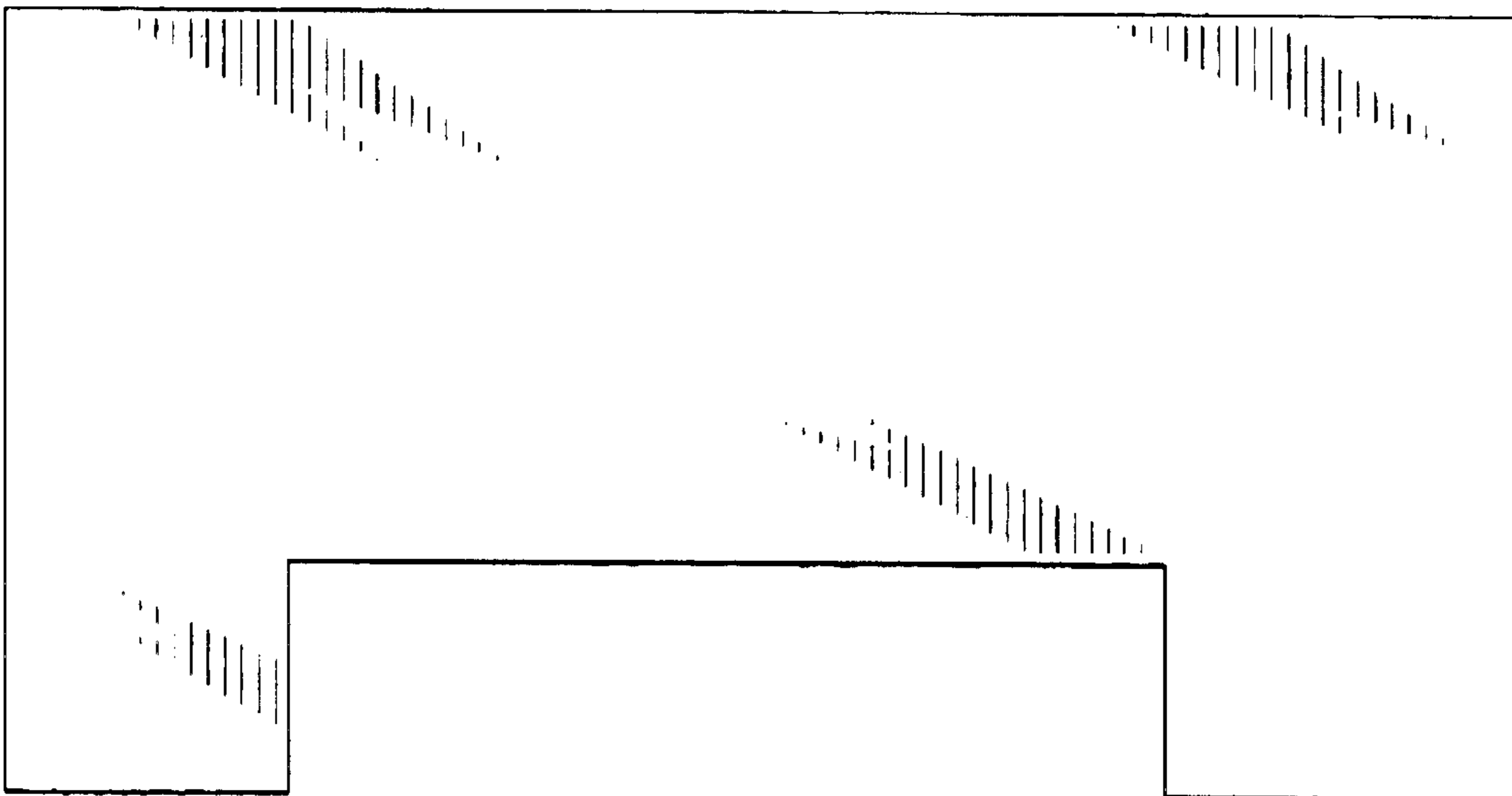


FIG. 6

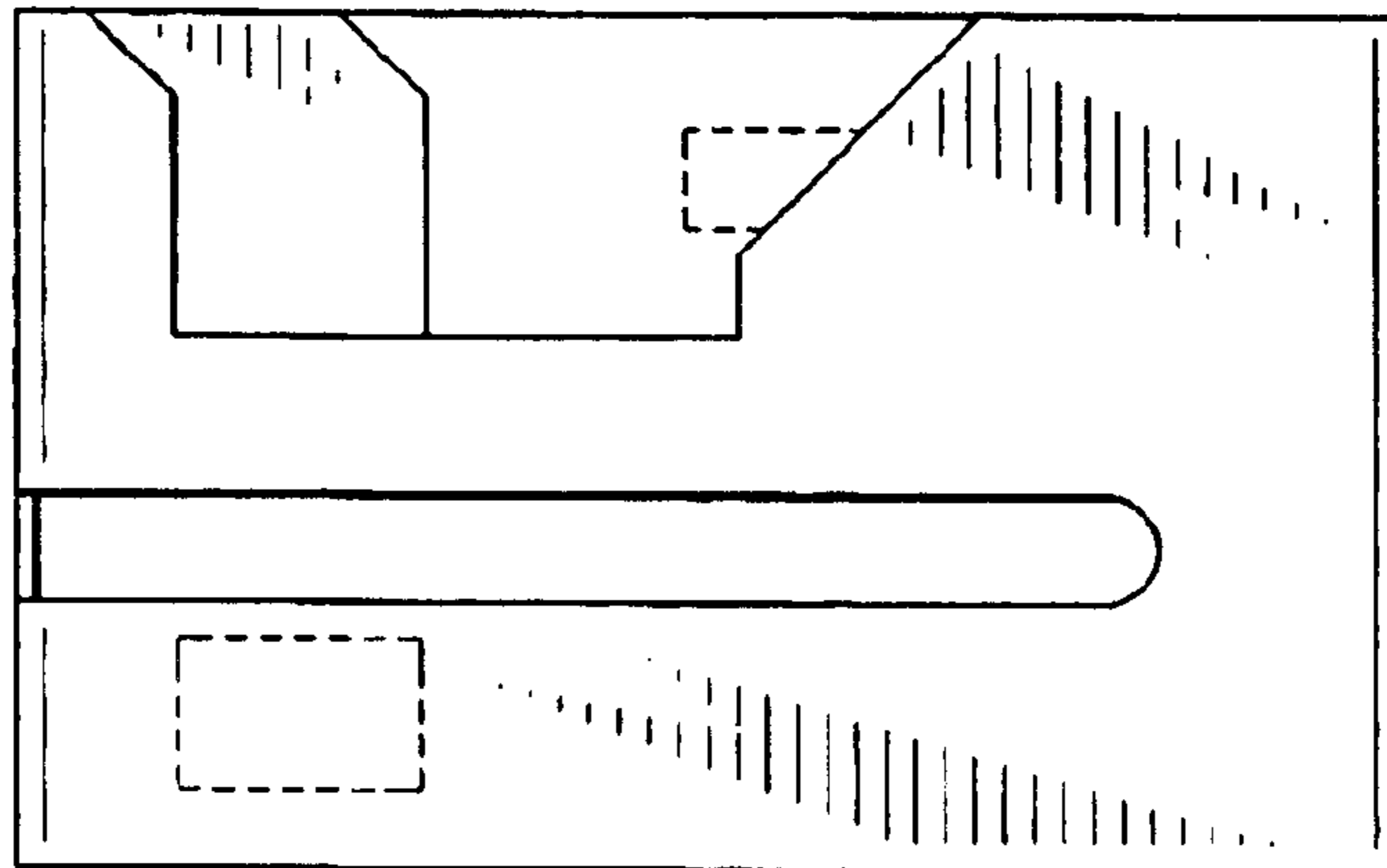


FIG. 7

