

US00D500090S

(12) **United States Design Patent**
Chen et al.

(10) **Patent No.: US D500,090 S**
(45) **Date of Patent: ** Dec. 21, 2004**

(54) **CERTIFICATE HOLDER**

(75) Inventors: **Peter Chen**, West Windsor, NJ (US);
Kevin Hui-Lien Lee, East Brunswick,
NJ (US); **Jungkun Lee**, Edison, NJ
(US)

(73) Assignee: **Officemate International Corp.**,
Edison, NJ (US)

(**) Term: **14 Years**

(21) Appl. No.: **29/196,975**

(22) Filed: **Jan. 8, 2004**

(51) **LOC (7) Cl.** **20-02**

(52) **U.S. Cl.** **D20/42**

(58) **Field of Search** D20/10, 13, 19,
D20/39-42, 99; D12/193; 40/1.5, 124.01;
283/36, 56, 115, 117; 362/812; 434/84,
98, 103-4

(56) **References Cited**

U.S. PATENT DOCUMENTS

1,597,573 A	*	8/1926	Blue	40/124.5
D141,309 S	*	5/1945	Olmstead	D20/39
3,176,418 A	*	4/1965	Ramseur, Jr.	40/624
D268,424 S	*	3/1983	Shuman	D20/40
4,961,275 A	*	10/1990	Klein	40/1.5
D324,954 S	*	3/1992	Lewis	D3/208

D327,915 S	*	7/1992	Anderson et al.	D20/13
D354,087 S	*	1/1995	Dunlap et al.	D20/42
5,566,030 A	*	10/1996	Yue	359/872
D392,957 S	*	3/1998	Gaete	D8/71
D392,958 S	*	3/1998	Gaete	D8/71
D393,001 S	*	3/1998	Mayo	D19/52
D494,259 S	*	8/2004	Chen et al.	D23/293.1

* cited by examiner

Primary Examiner—Robert M. Spear

(74) *Attorney, Agent, or Firm*—Daniel Kirshner, Esq.

(57) **CLAIM**

The ornamental design for a certificate holder, as shown.

DESCRIPTION

FIG. 1 is a front prospective view of the certificate holder showing the design;

FIG. 2 is a front elevational view thereof;

FIG. 3 is a back elevational view thereof;

FIG. 4 is a top plan view thereof;

FIG. 5 is a bottom plan view thereof;

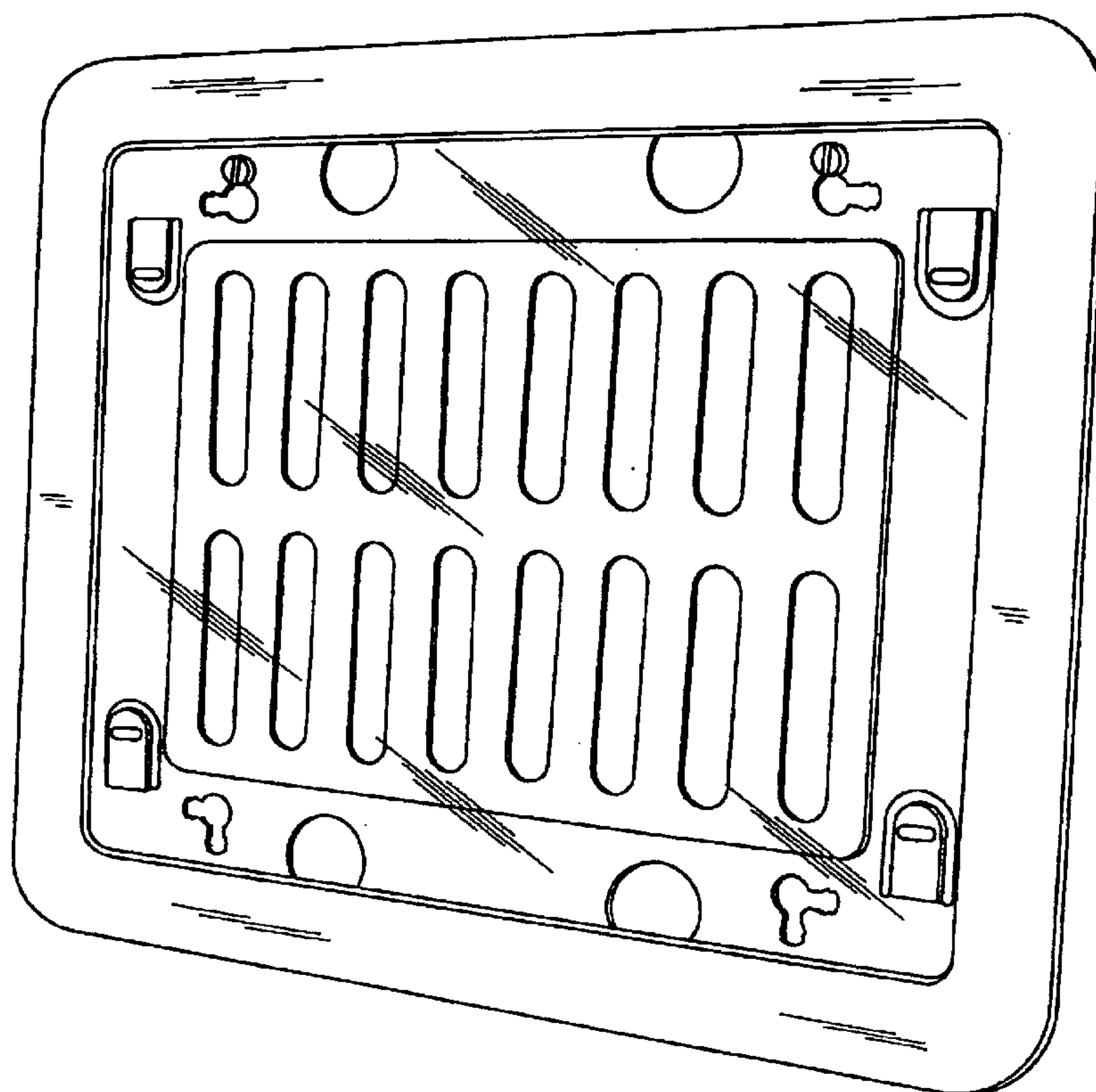
FIG. 6 is a right elevational view thereof;

FIG. 7 is a left side elevational view thereof;

FIG. 8 is a front perspective view thereof showing the attachment devices detached from the holder for clarity of disclosure; and,

FIG. 9 is an exploded front perspective view thereof.

1 Claim, 7 Drawing Sheets



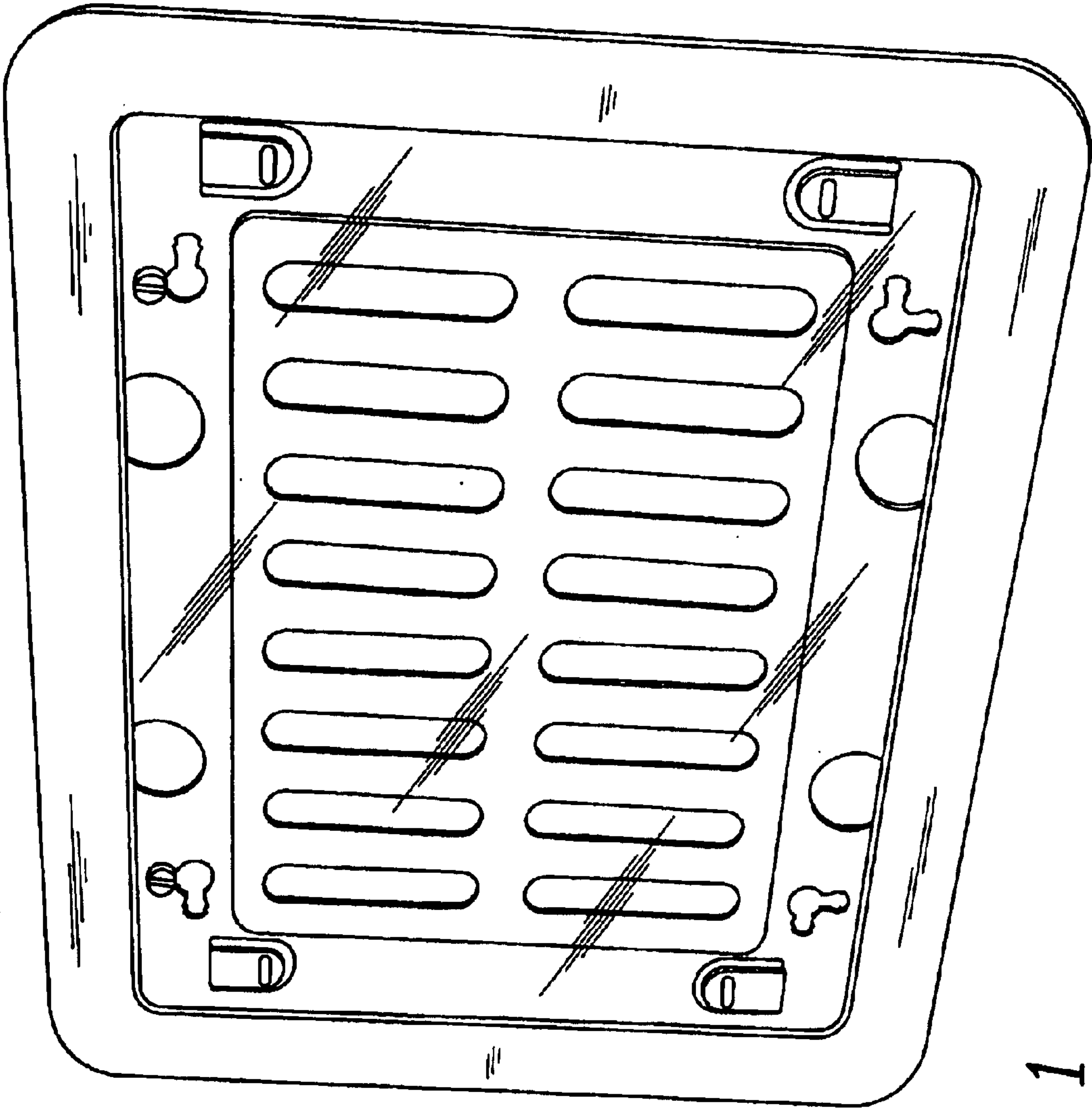


FIG. 1

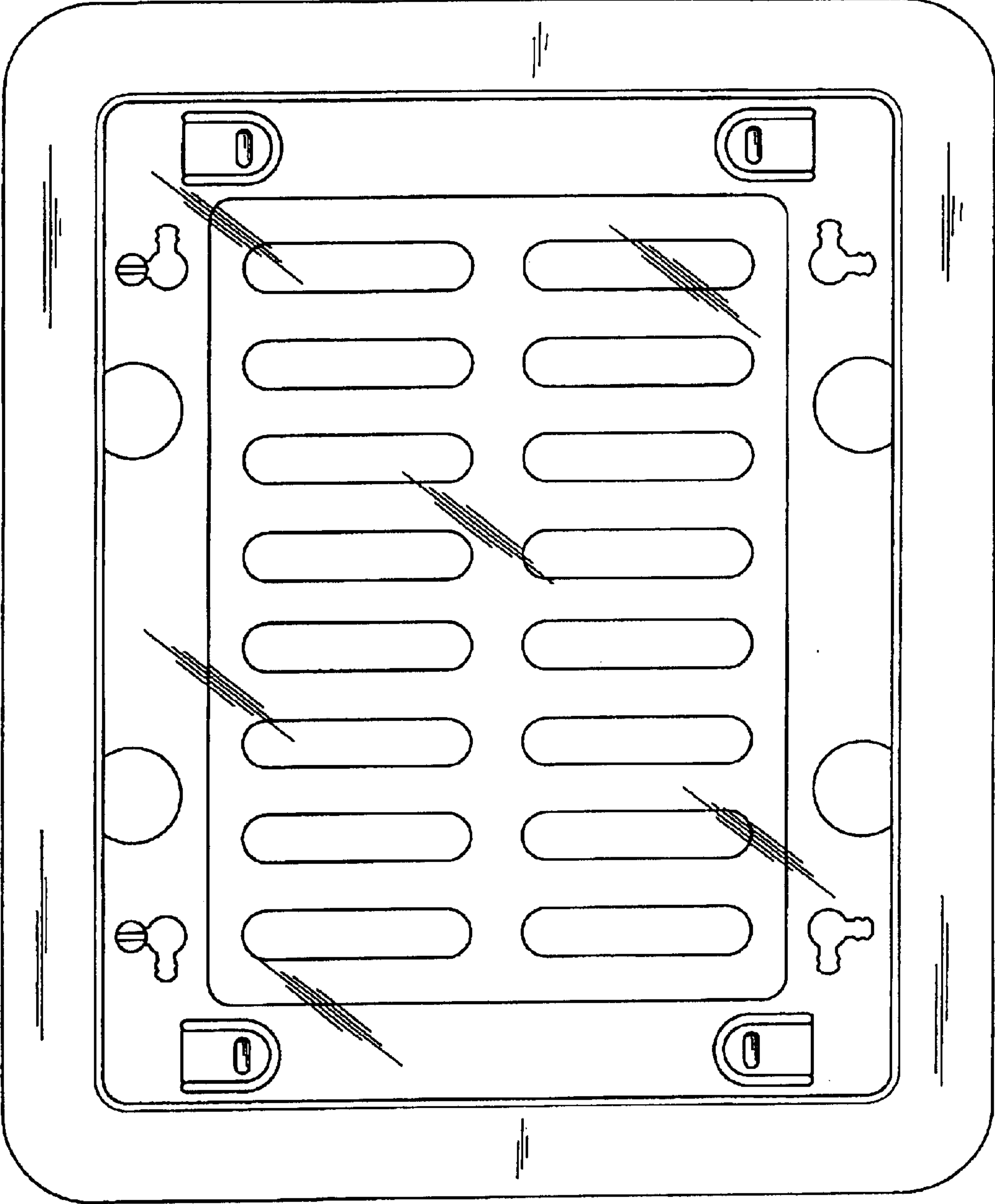


FIG. 2

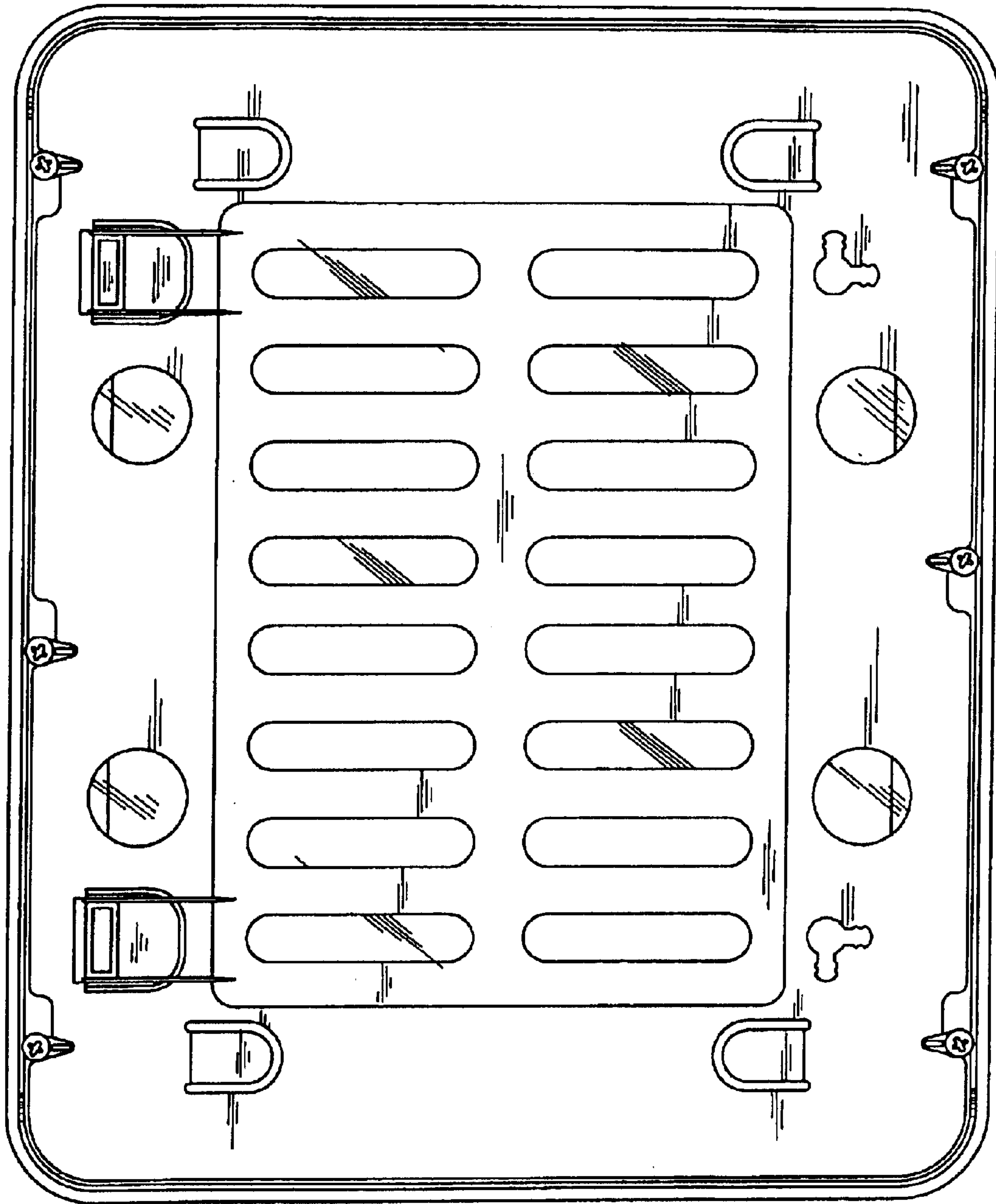


FIG. 3



FIG. 4

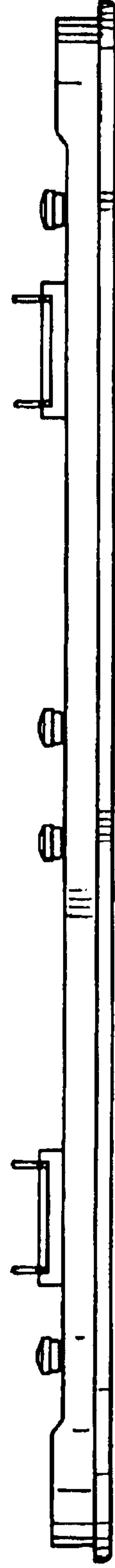


FIG. 5

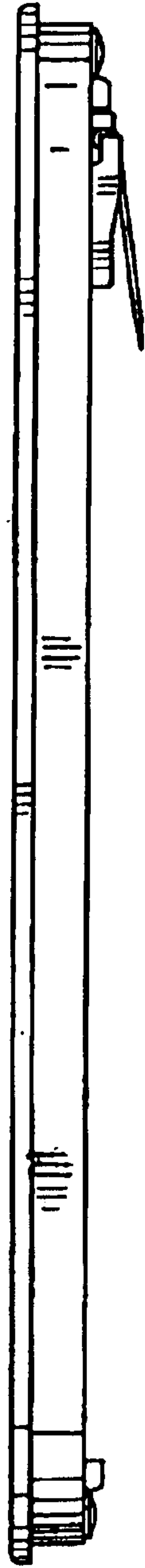
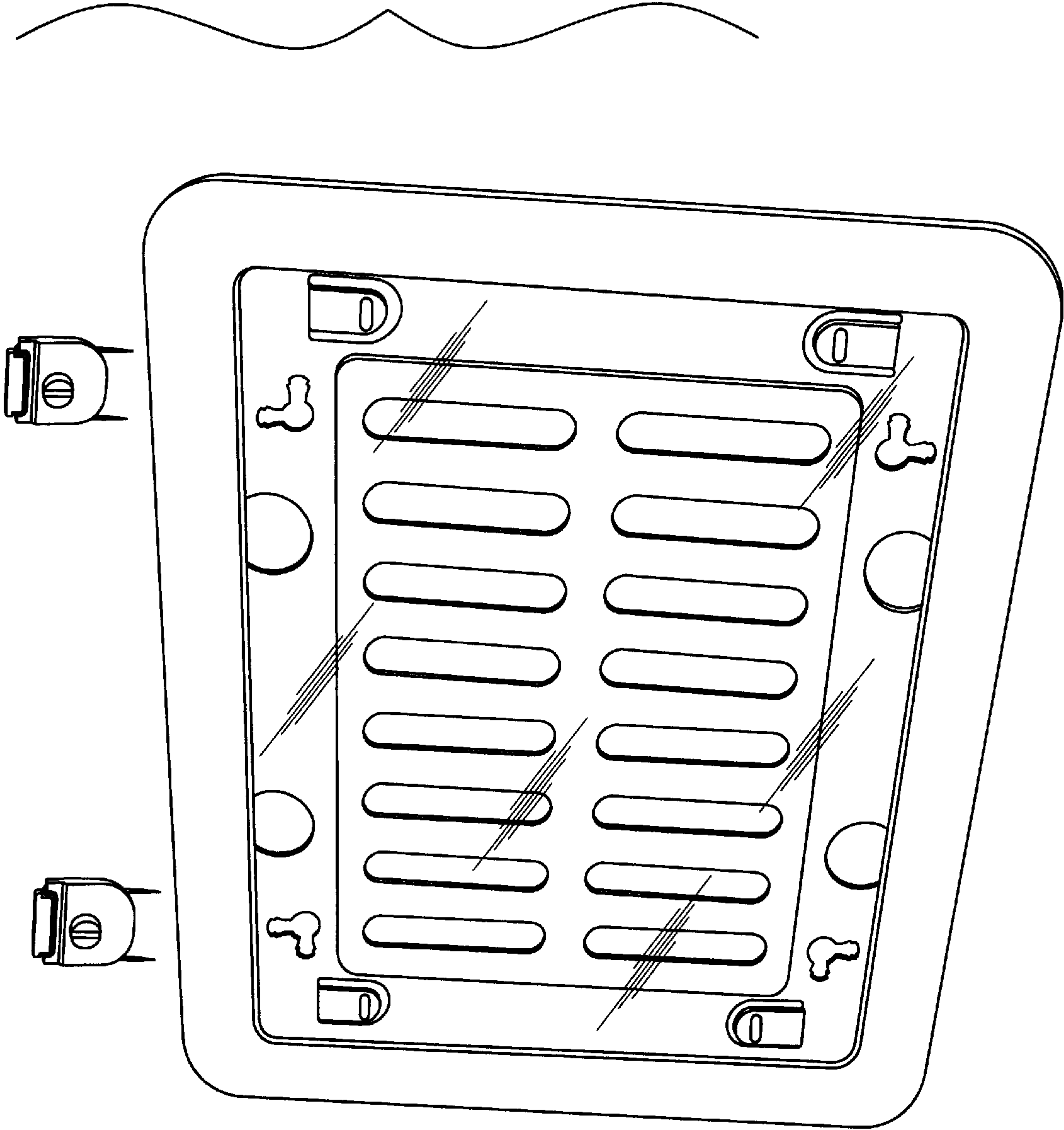


FIG. 6



FIG. 7

FIG. 8



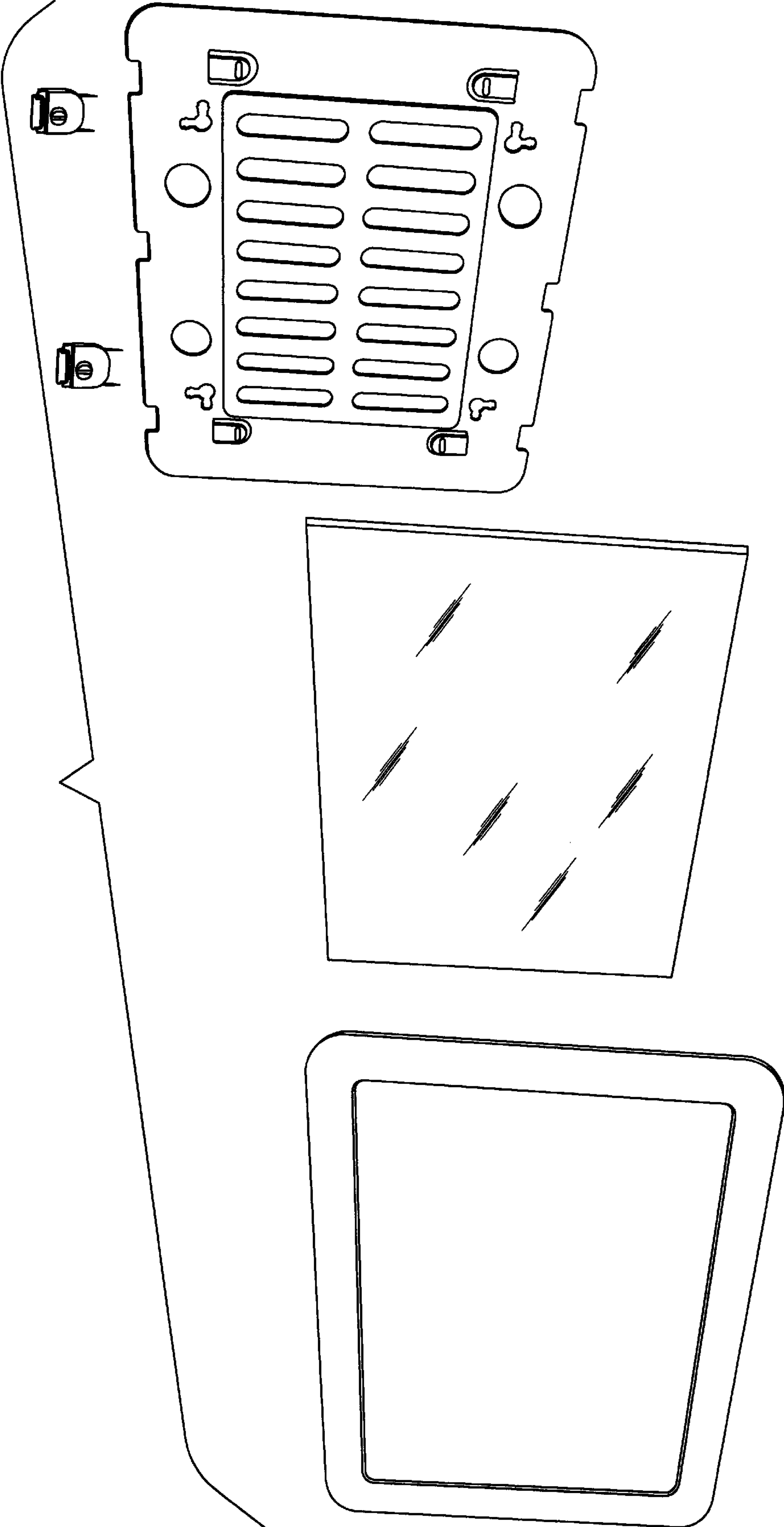


FIG. 9