

US00D500088S

(12) **United States Design Patent** (10) **Patent No.:** **US D500,088 S**  
**Hammond et al.** (45) **Date of Patent:** **\*\* Dec. 21, 2004**

(54) **NEWSPAPER AND OTHER ARTICLE DISPENSING DEVICE**  
(75) Inventors: **Brian Carl Hammond**, Richfield, MN (US); **Christian R. Trifilio**, St. Paul, MN (US)  
(73) Assignee: **Linkup, Inc.**, St. Louis Park, MN (US)  
(\*\*) Term: **14 Years**

4,787,687 A 11/1988 Merl  
4,919,250 A 4/1990 Olson et al.  
D342,970 S 1/1994 Schwarzli  
5,313,725 A 5/1994 DeVassie  
5,356,212 A 10/1994 Okopny  
5,394,997 A 3/1995 Gollob  
5,893,615 A 4/1999 Hendricks  
D414,515 S 9/1999 Berckenhoff et al.  
6,318,627 B1 11/2001 Koebbe

**FOREIGN PATENT DOCUMENTS**

DE 3333463 4/1985  
JP 07-216946 8/1995

(21) Appl. No.: **29/187,770**  
(22) Filed: **Aug. 7, 2003**

**OTHER PUBLICATIONS**

Go Plastics Inc.; StreetSmart®, Model SS-1 for Magazines, color product brochure; 2 pages.  
Go Plastics Inc.; StreetSmart® Model SS-9 for 6 Magazines; color product brochure; 2 pages.

**Related U.S. Application Data**

(62) Division of application No. 29/165,644, filed on Aug. 13, 2002, now Pat. No. Des. 480,430.

(51) **LOC (7) Cl.** ..... **20-01**  
(52) **U.S. Cl.** ..... **D20/6**  
(58) **Field of Search** ..... D20/1-9; D21/325, D21/350; 194/245, 247, 255, 258, 281, 350; 221/155, 208, 240, 245, 284; 40/1, 312; 232/1, 1 C, 39; 248/362.1

*Primary Examiner*—Robert M. Spear  
(74) *Attorney, Agent, or Firm*—Merchant & Gould P.C.

(57) **CLAIM**

The ornamental design for a newspaper and other article dispensing device, as shown and described.

(56) **References Cited**

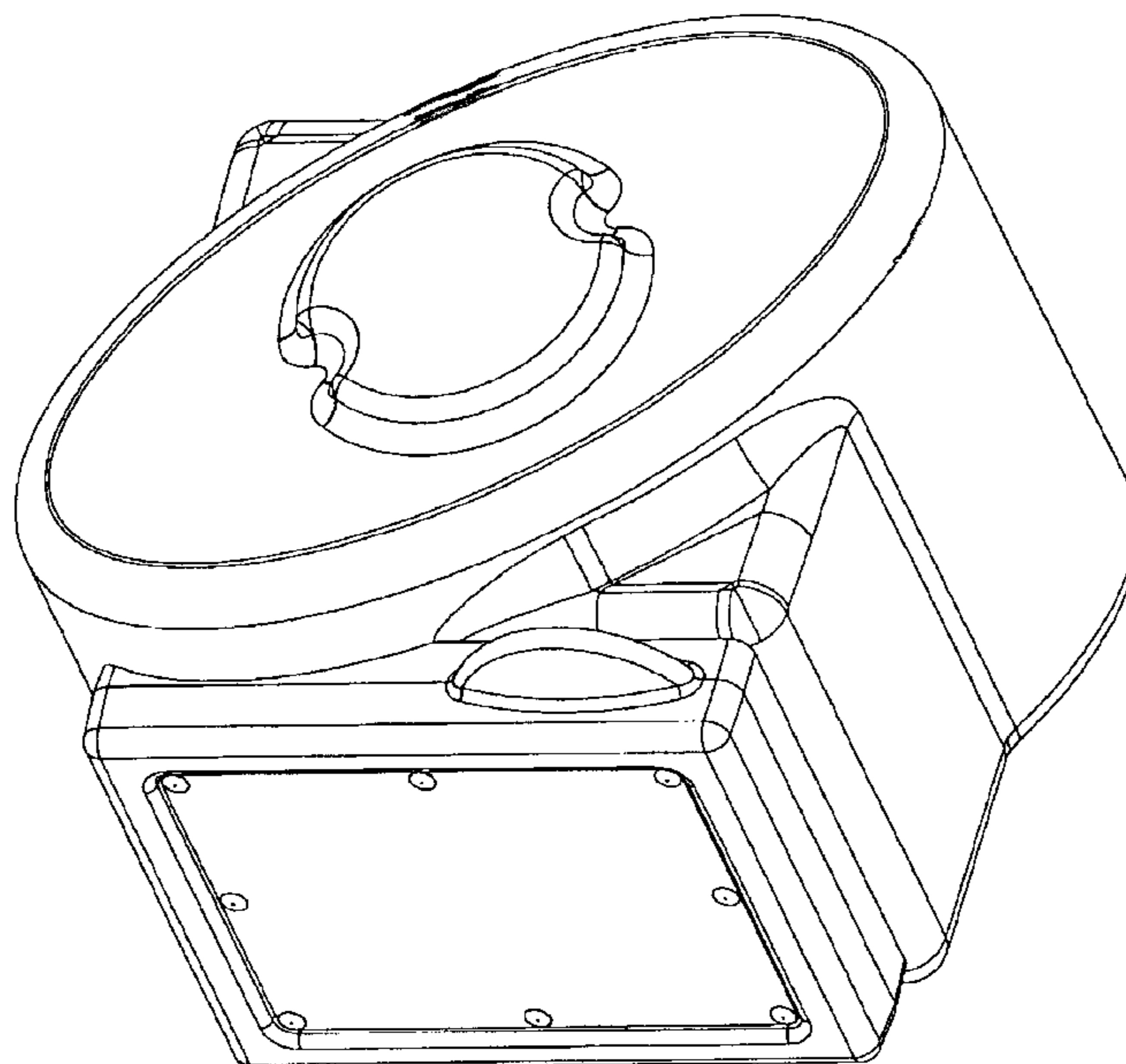
**U.S. PATENT DOCUMENTS**

847,117 A 3/1907 Salmon  
2,807,387 A 9/1957 Siciliano  
D200,755 S 4/1965 Sebastian  
D213,532 S 3/1969 Yeo  
D219,479 S 12/1970 Perkins  
3,863,874 A 2/1975 Pirovano  
4,588,123 A 5/1986 Plew  
4,602,721 A 7/1986 Hicks  
D287,513 S 12/1986 Chalabian

**DESCRIPTION**

FIG. 1 is a front perspective view of a newspaper and other article dispensing device;  
FIG. 2 is a front elevational view thereof;  
FIG. 3 is a rear elevational view thereof;  
FIG. 4 is a left side elevational view thereof;  
FIG. 5 is a right side elevational view thereof;  
FIG. 6 is a top plan view thereof; and,  
FIG. 7 is a bottom plan view thereof.

**1 Claim, 3 Drawing Sheets**



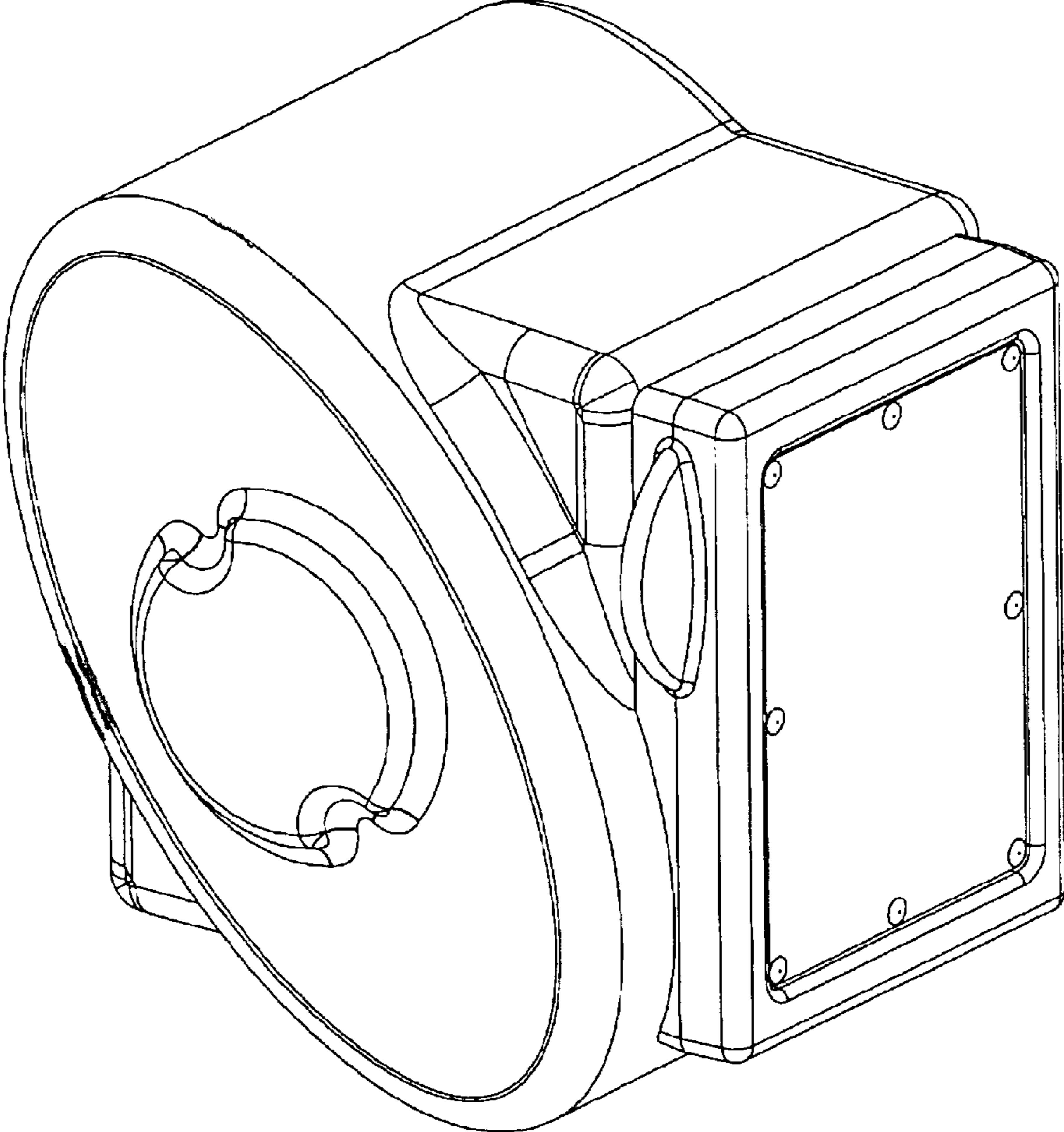


FIG. 1

FIG. 2

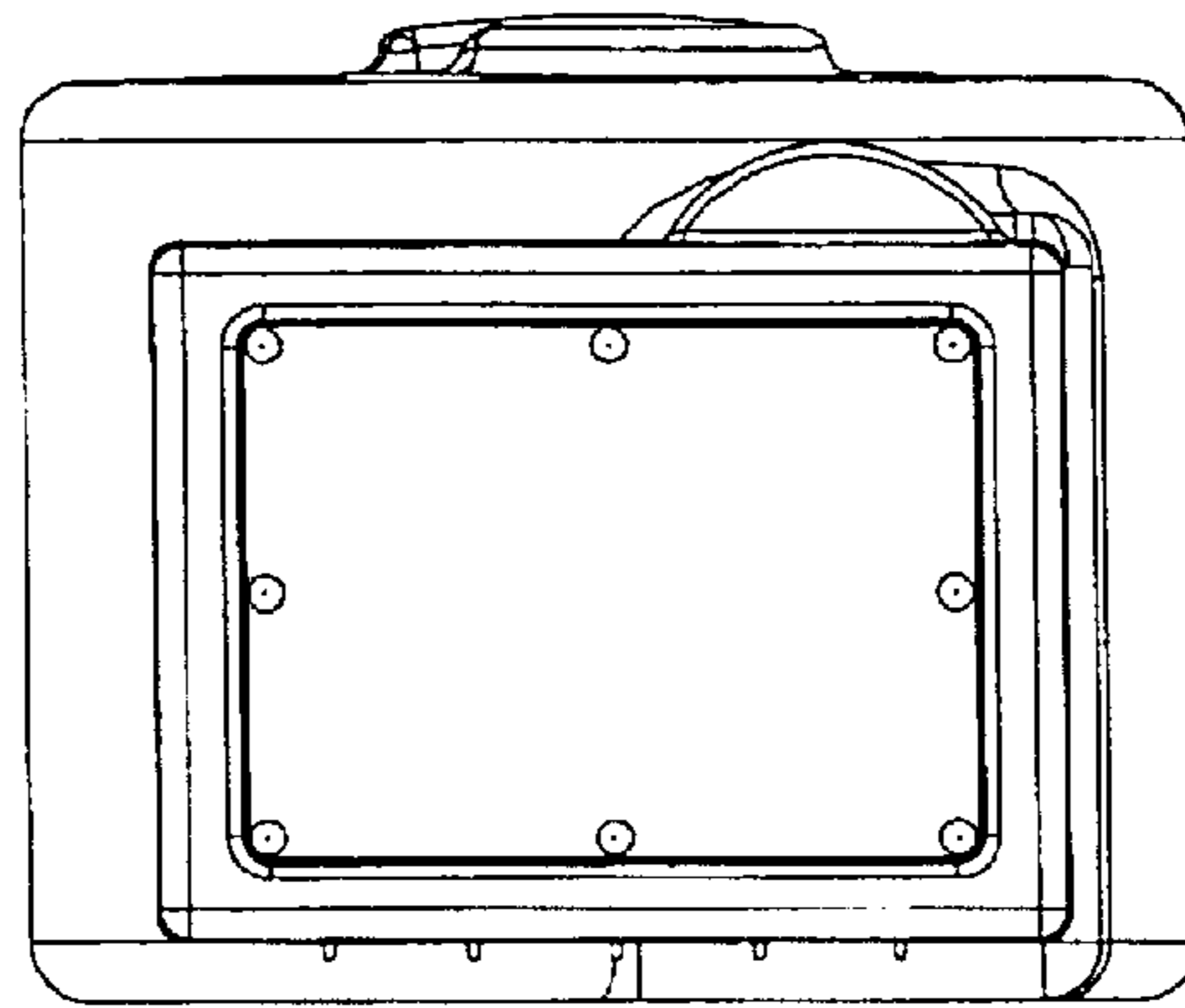


FIG. 3

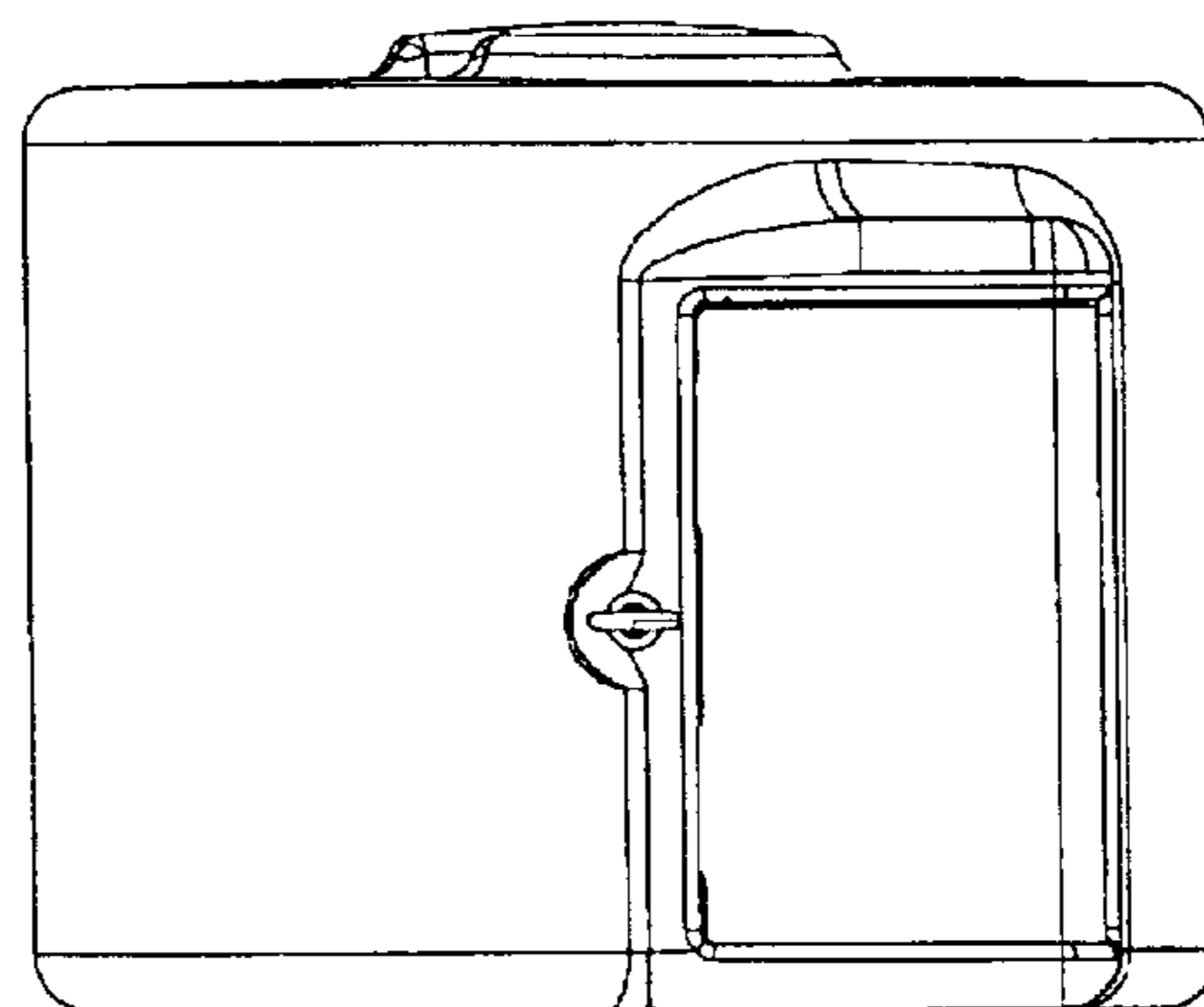


FIG. 4

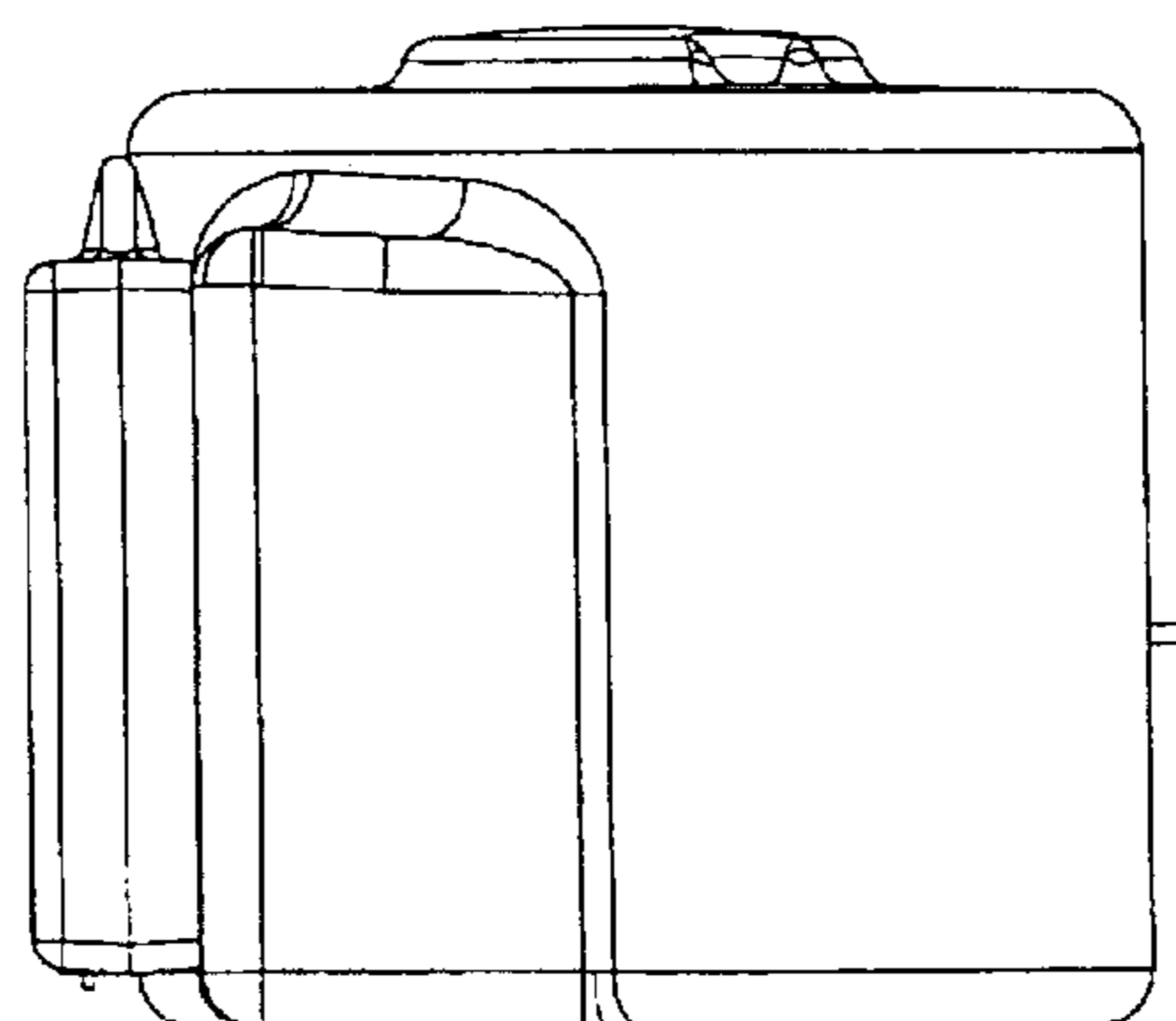


FIG. 5

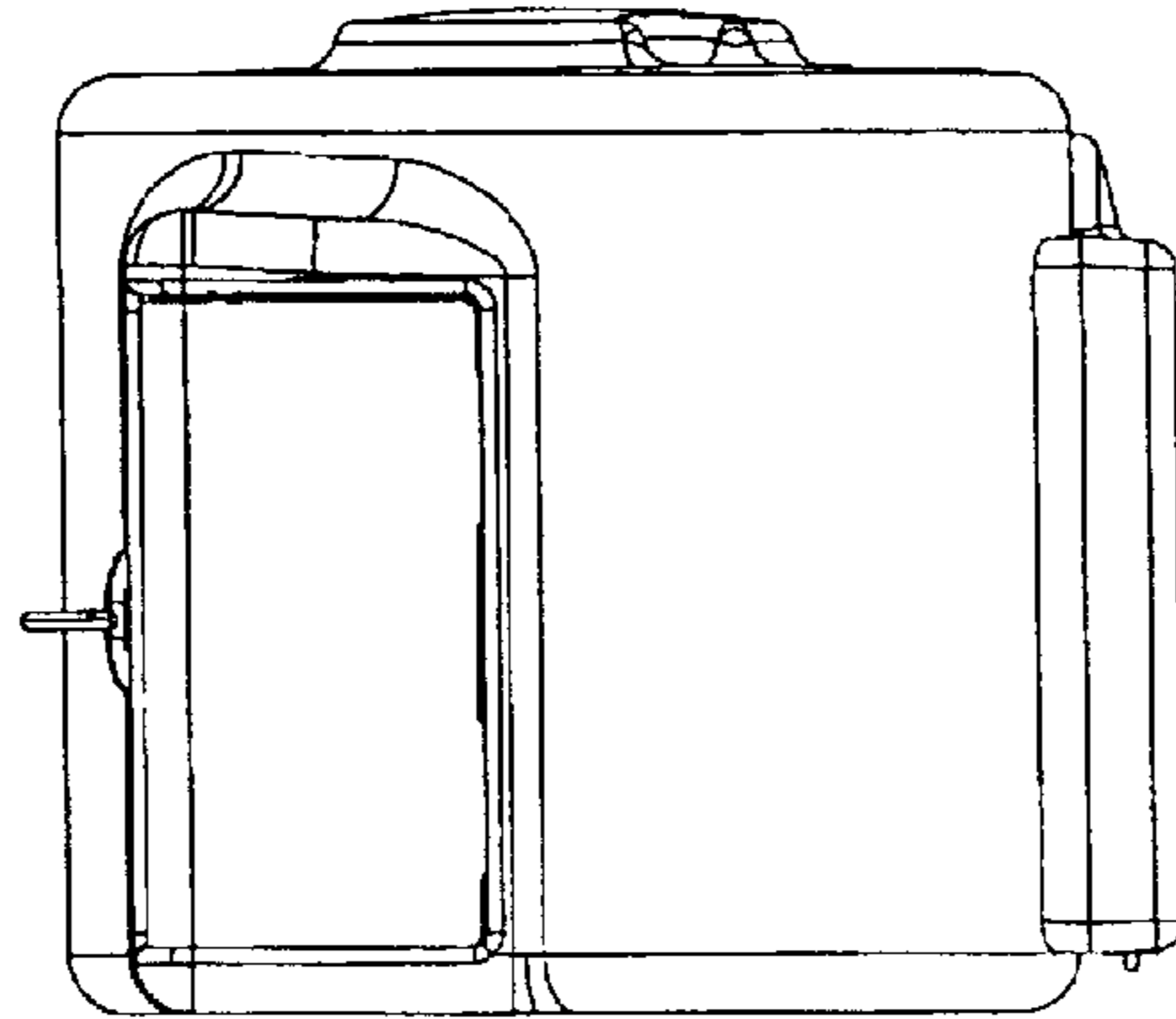


FIG. 6

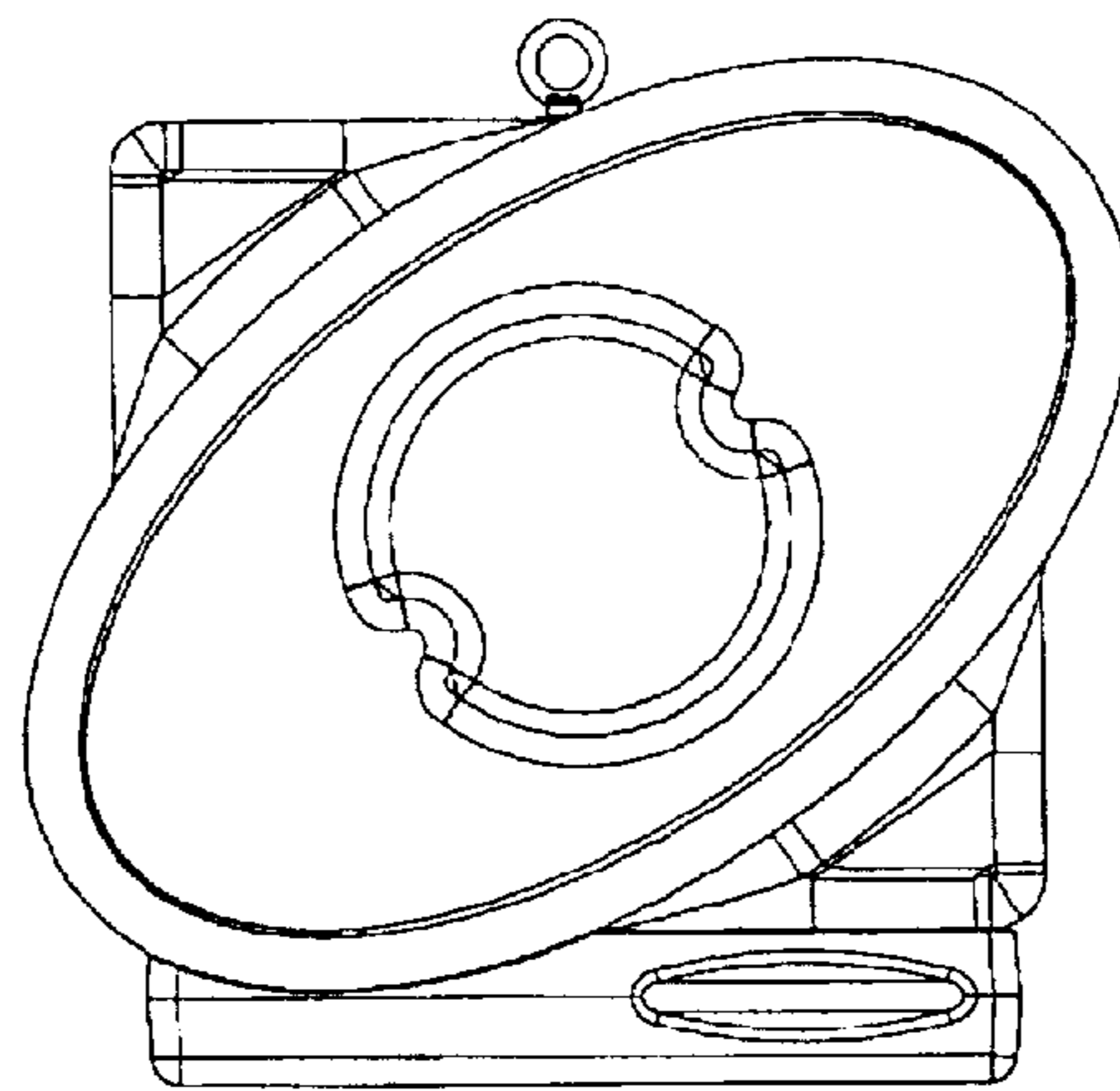


FIG. 7

