

US00D500087S

(12) **United States Design Patent**
Siegel

(10) **Patent No.: US D500,087 S**

(45) **Date of Patent: ** Dec. 21, 2004**

(54) **CRAFT TAPE DISPENSING RACK**

(75) **Inventor: Lee M. Siegel, Mt. Laurel, NJ (US)**

(73) **Assignee: Early Learning Resources, LLC,
Hainesport, NJ (US)**

(**) **Term: 14 Years**

(21) **Appl. No.: 29/203,898**

(22) **Filed: Apr. 20, 2004**

(51) **LOC (7) Cl. 19-02**

(52) **U.S. Cl. D19/69; D19/67; D6/520**

(58) **Field of Search D19/65, 75, 67,
D19/68, 69, 89, 95, 99, 100; D6/515, 518,
520; 225/6, 7, 9, 11, 25, 33, 34-38, 39,
42, 52, 56, 72, 89; 242/594.3, 598.1, 598.3-598.6,
594.1, 594.5, 591**

(56) **References Cited**

U.S. PATENT DOCUMENTS

D197,413 S	*	1/1964	Castelli	D19/69
D197,623 S	*	3/1964	Fulton	D19/69
3,502,252 A	*	3/1970	Mariani	225/33
3,635,383 A	*	1/1972	Waltz	225/37
3,672,550 A	*	6/1972	Greco	225/34
3,768,713 A	*	10/1973	Lash	225/34
4,252,258 A	*	2/1981	Plummer, III	225/25

D273,875 S	*	5/1984	Hill	D19/69
4,735,351 A	*	4/1988	Biswas	225/25
5,718,365 A	*	2/1998	Palmer	242/594.3
D416,724 S	*	11/1999	Upham	D6/518
D470,181 S	*	2/2003	Jour	D19/69

* cited by examiner

Primary Examiner—Martie K. Holtje

(74) *Attorney, Agent, or Firm*—Norman E. Lehrer

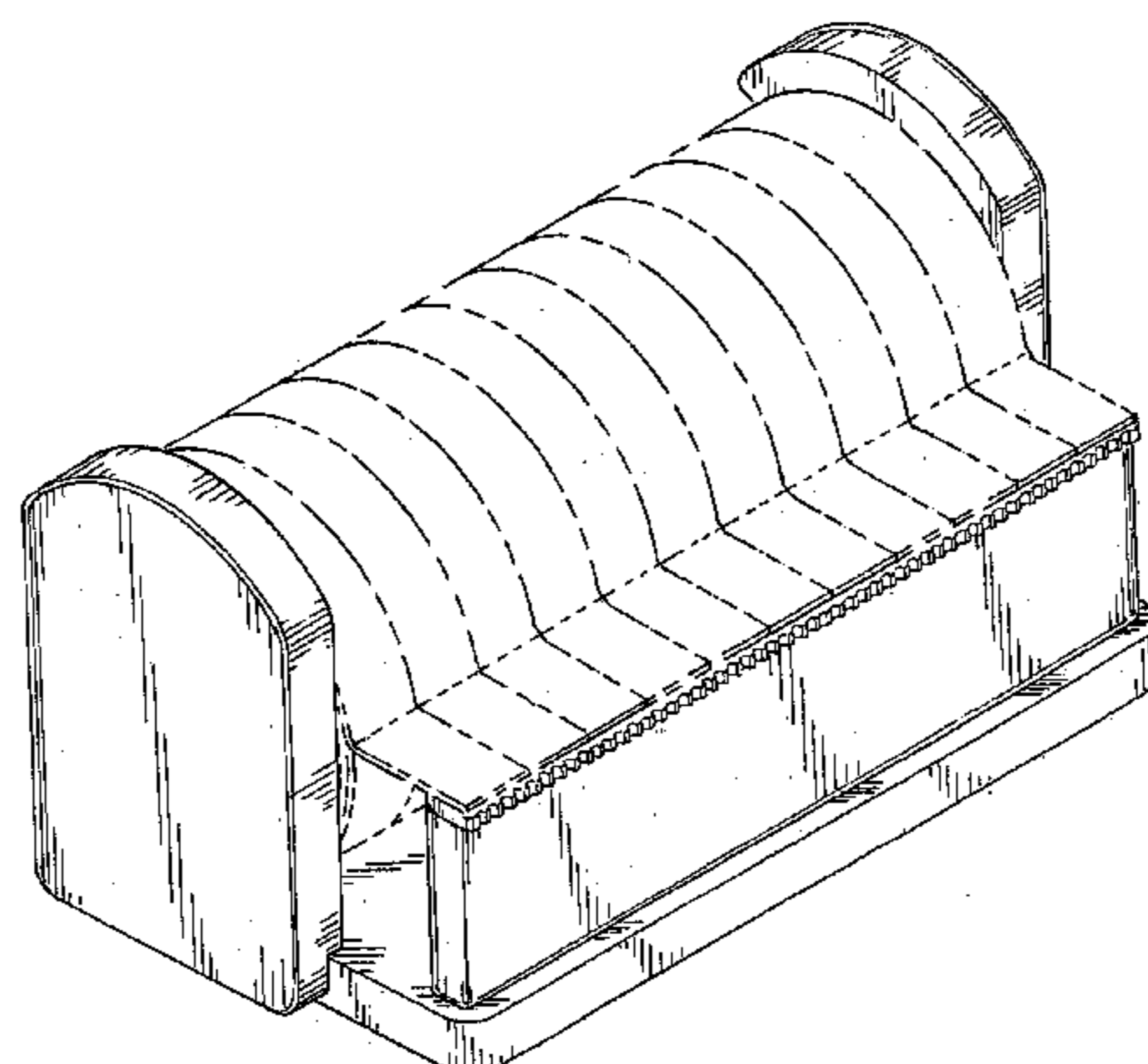
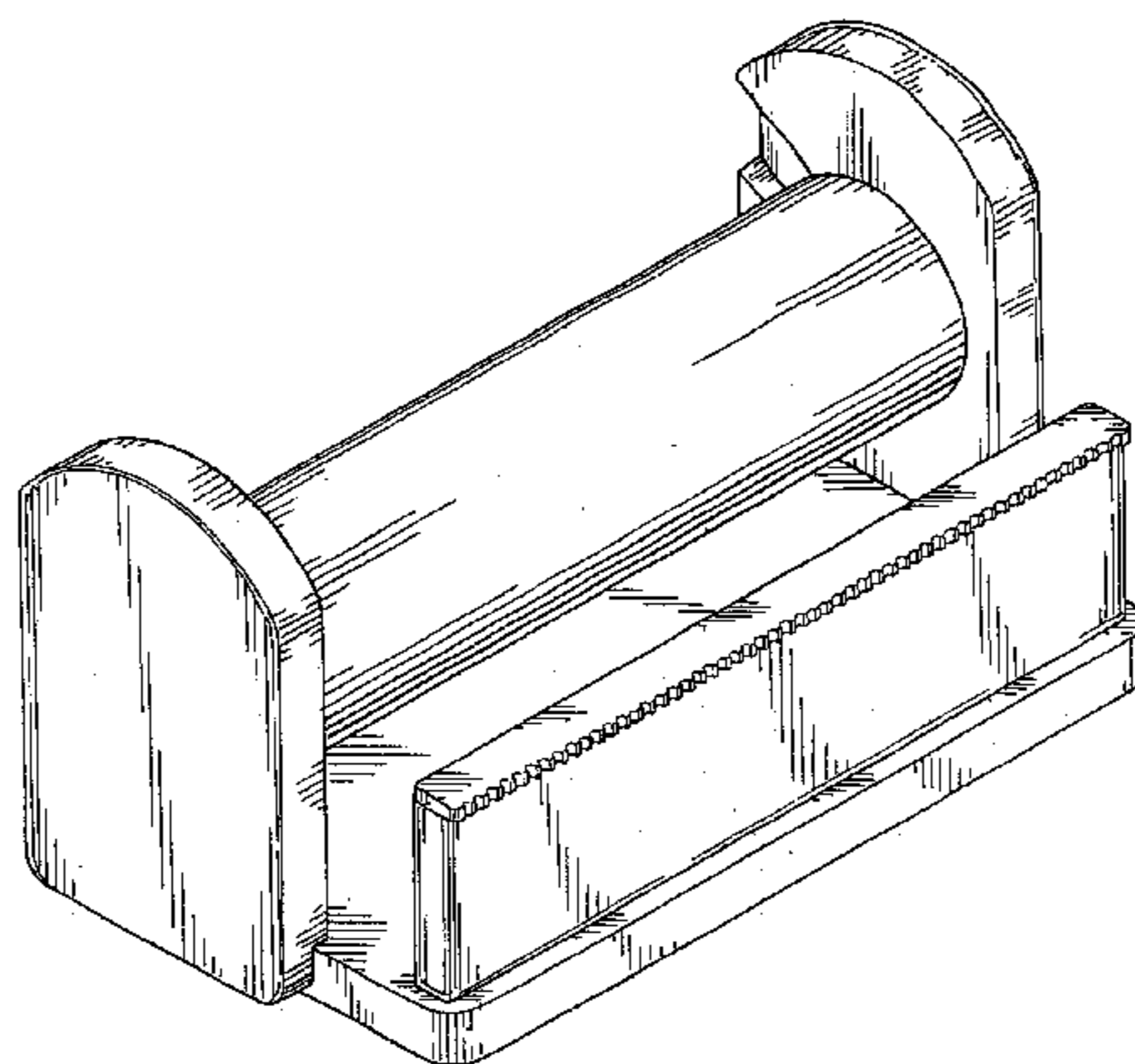
(57) **CLAIM**

The ornamental design for a “craft tape dispensing rack,” as shown and described.

DESCRIPTION

FIG. 1 is a top front perspective view of a “craft tape dispensing rack” showing my new design; FIG. 2 is a front elevational view thereof; FIG. 3 is a top plan view thereof; FIG. 4 is a right side elevational view thereof, the left side being a mirror image thereof; FIG. 5 is a rear elevational view thereof; FIG. 6 is a bottom plan view thereof; and, FIG. 7 is a view similar to FIG. 1 showing the manner in which the “craft tape dispensing rack” is utilized. The material shown in phantom in FIG. 7 is for environment only and does not form a part of the design.

1 Claim, 3 Drawing Sheets



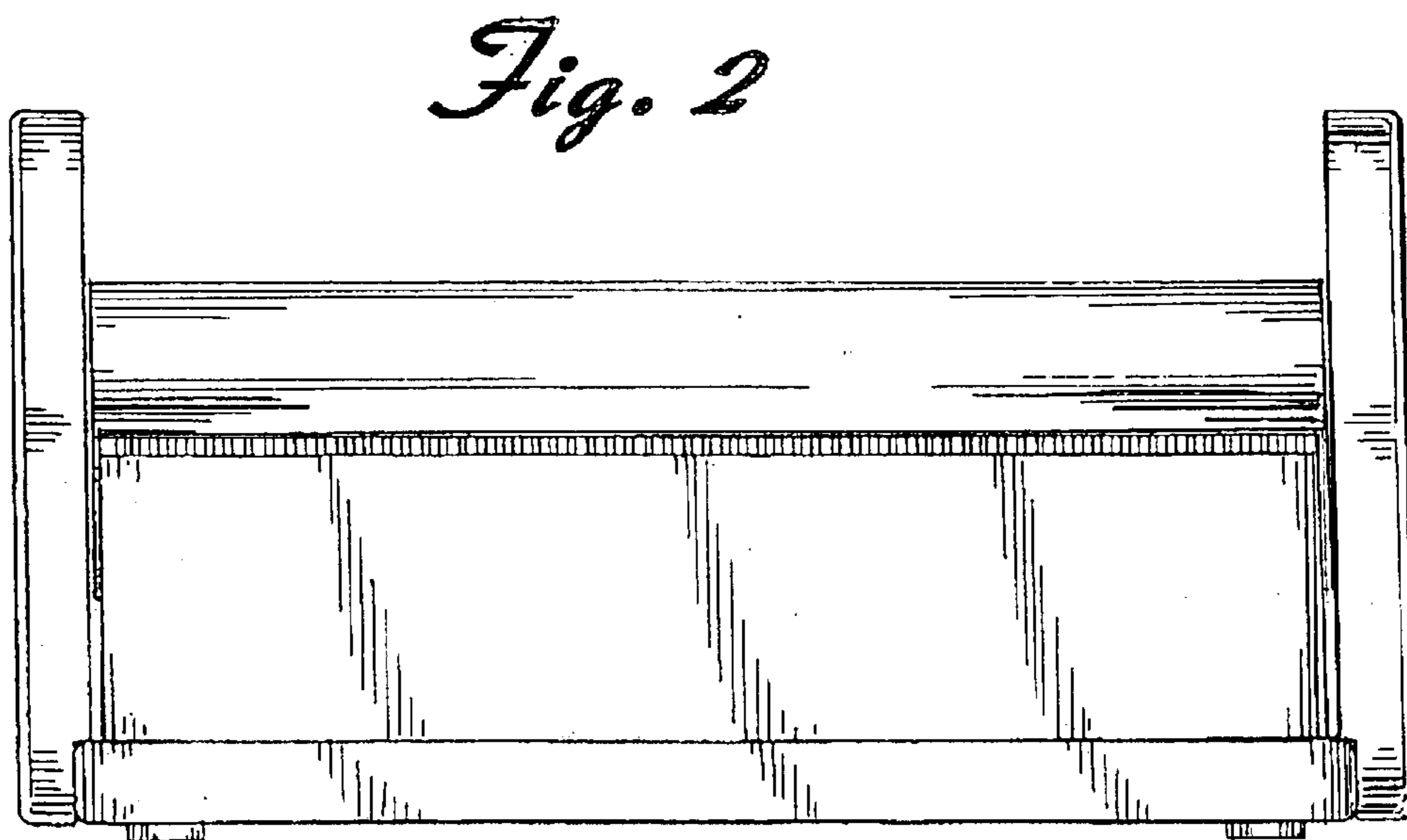
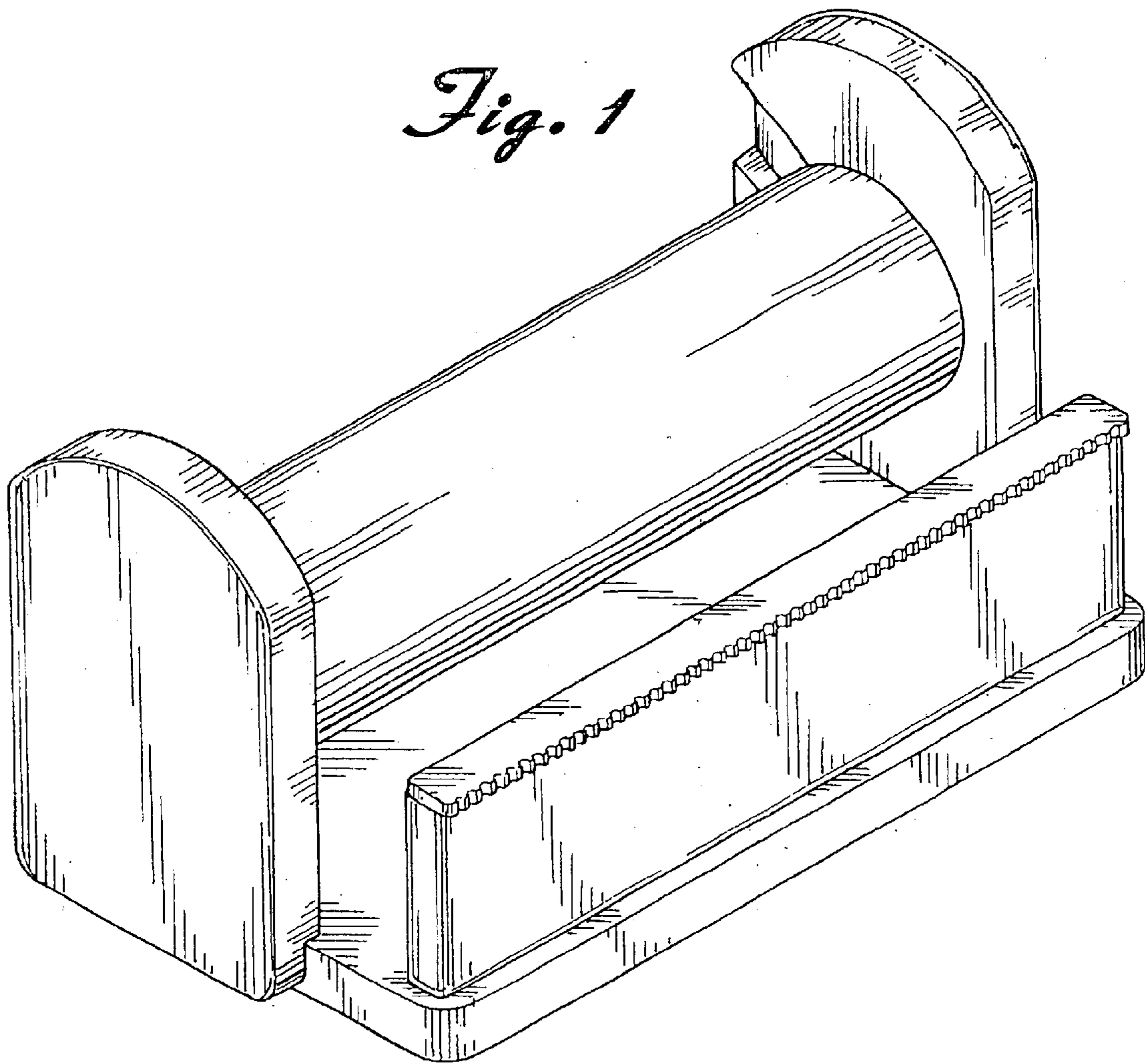


Fig. 3

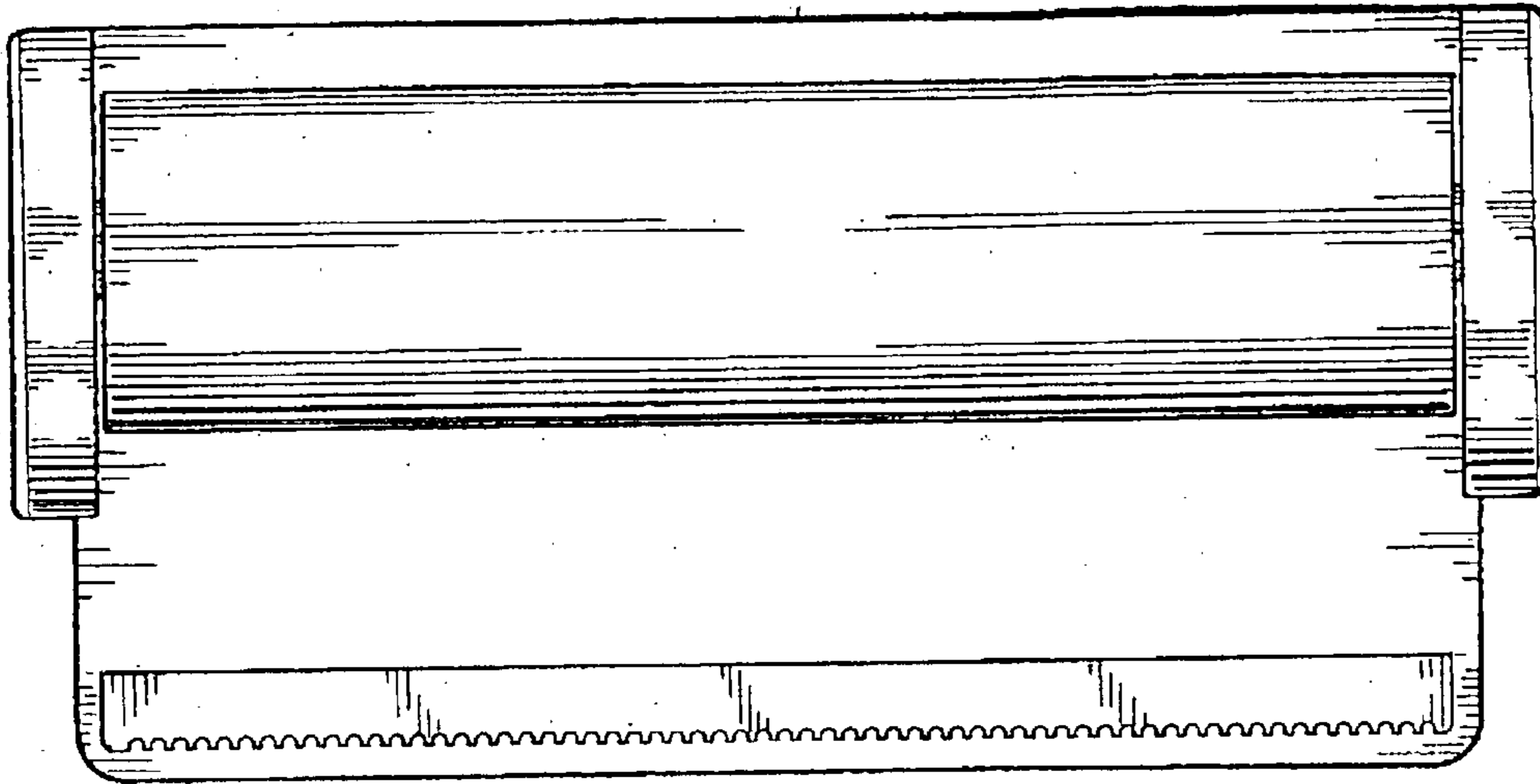


Fig. 4

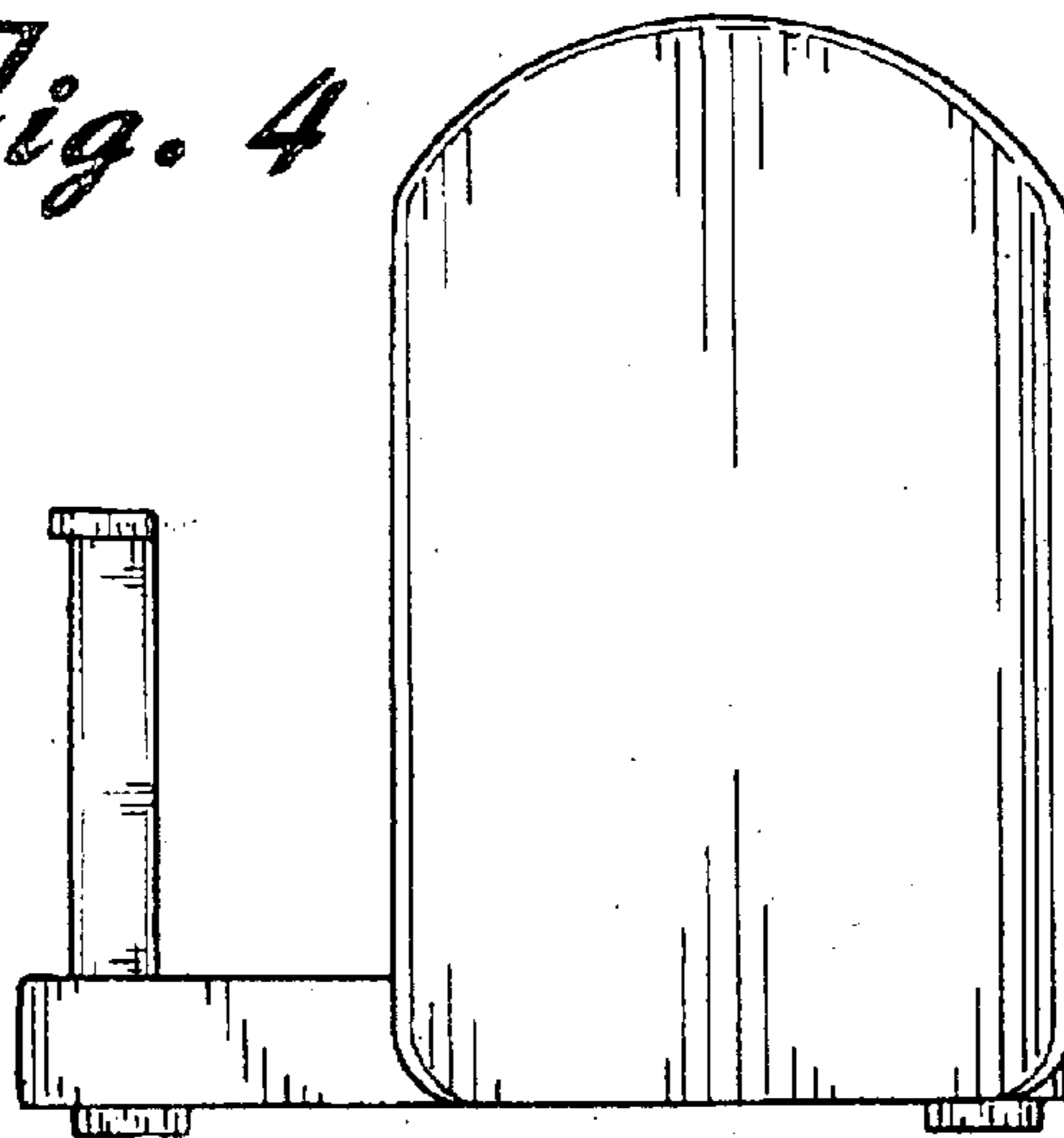


Fig. 5

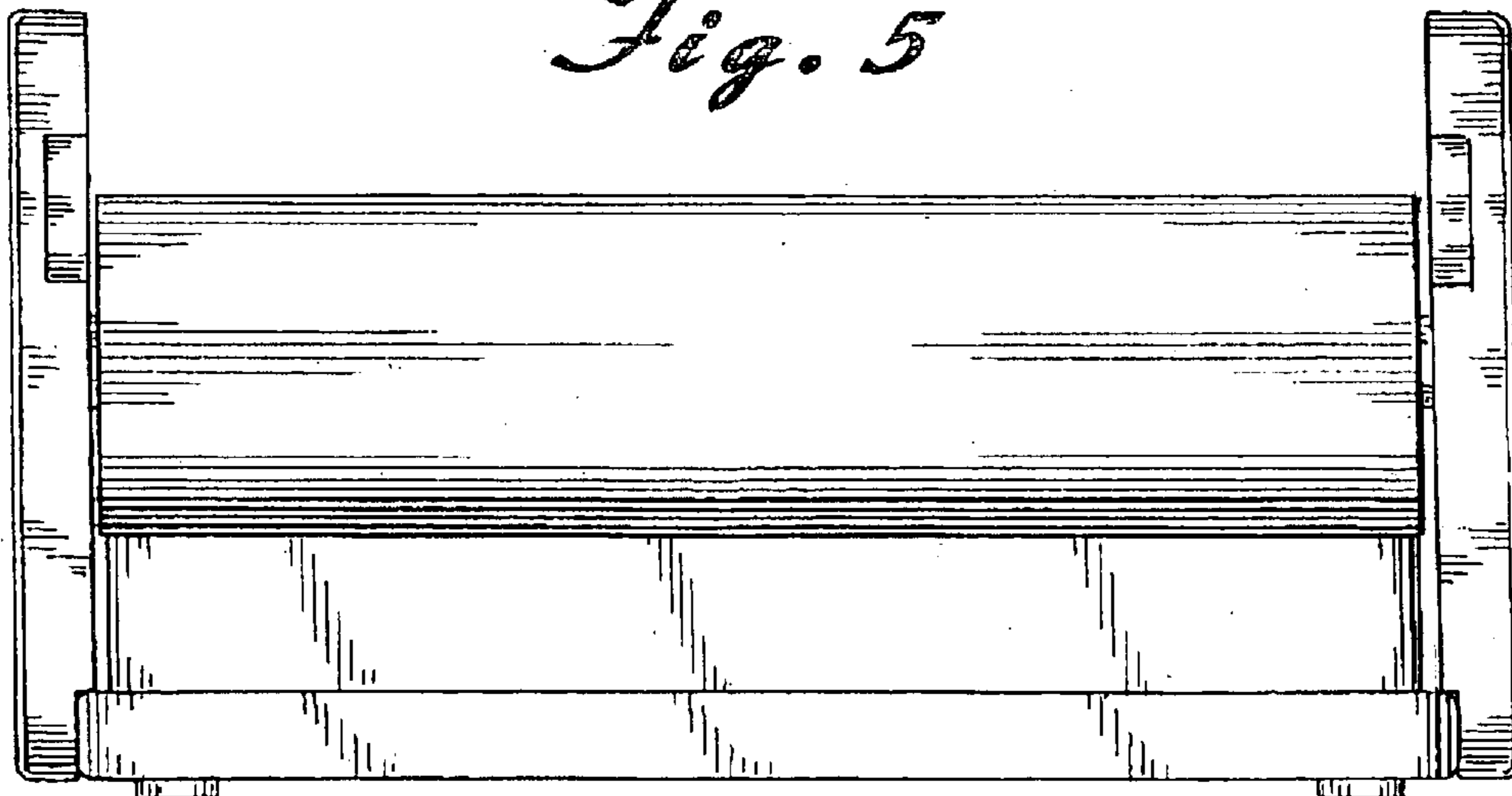


Fig. 6

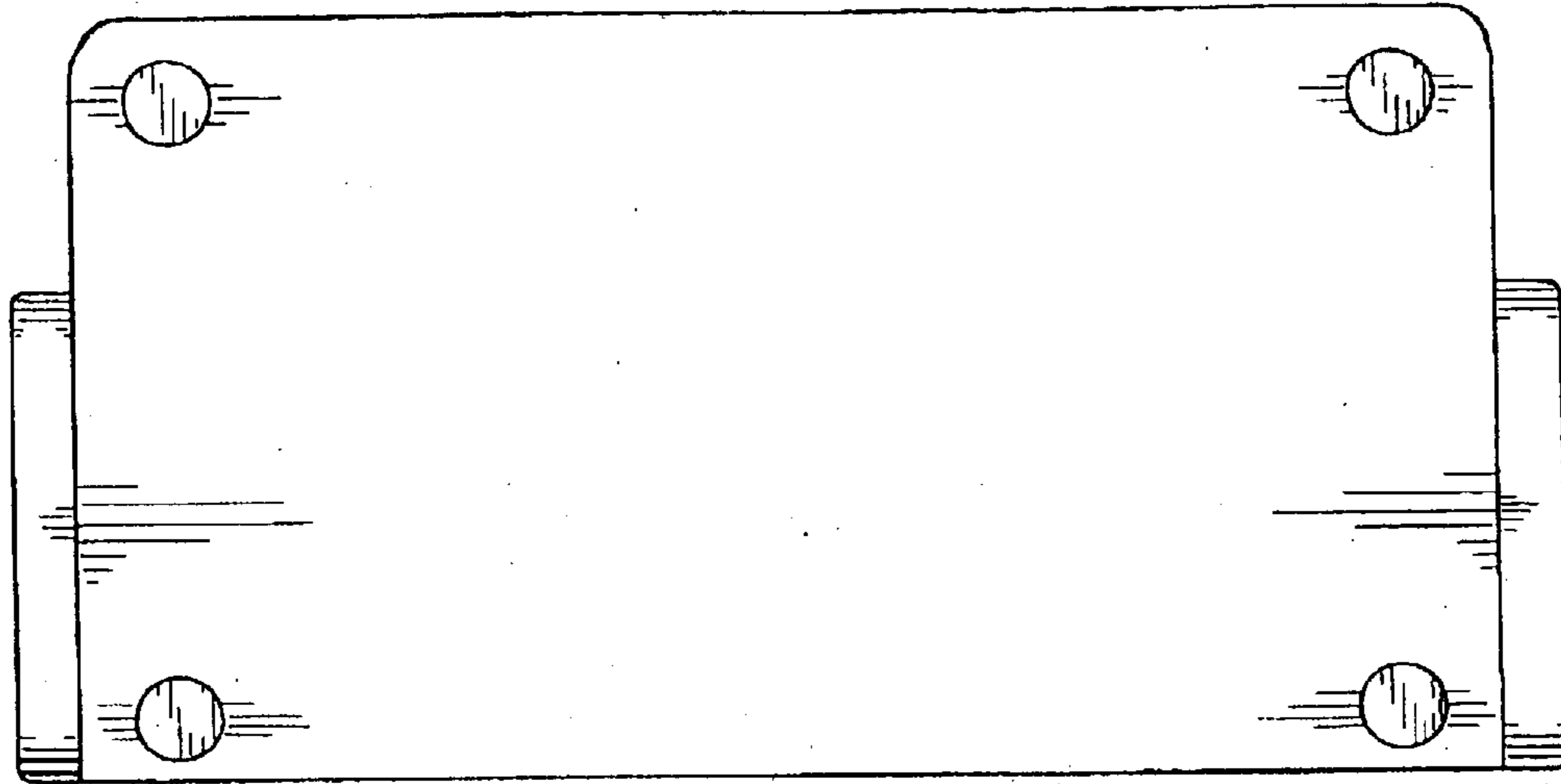


Fig. 7

