

US00D500086S

(12) **United States Design Patent** (10) **Patent No.:** **US D500,086 S**
Van Tyle et al. (45) **Date of Patent:** **** Dec. 21, 2004**

(54) **TAPE DISPENSER**

(75) Inventors: **Peter R. Van Tyle**, Skaneateles, NY (US); **Douglas M. Russell**, Syracuse, NY (US); **David L. Fergot**, Syracuse, NY (US)

(73) Assignee: **Henkel Consumer Adhesives, Inc.**, Avon Lake, OH (US)

(**) Term: **14 Years**

(21) Appl. No.: **29/185,995**

(22) Filed: **Jul. 8, 2003**

(51) **LOC (7) Cl.** **19-02**

(52) **U.S. Cl.** **D19/69; D19/67**

(58) **Field of Search** D19/36, 53, 65, D19/66, 67-69, 71, 95, 99, 100; 225/6, 7, 11, 12, 16, 19, 25, 33-38, 45, 56, 65, 77, 89; 156/327, 523, 526, 527, 577; 242/588, 588.1-588.6, 590

(56) **References Cited**

U.S. PATENT DOCUMENTS

2,167,908 A *	8/1939	Richards	242/588.6
2,551,168 A	5/1951	Rosen		
D164,556 S *	9/1951	Donkin	D19/69
2,728,477 A	12/1955	Vogt		
2,732,964 A	1/1956	Neer		
2,741,220 A *	4/1956	Belisle	156/526 X
3,034,691 A	5/1962	Gershen		
3,035,345 A *	5/1962	Kuehn	83/568
4,400,231 A	8/1983	Martin		
D283,631 S *	4/1986	Miller et al.	D19/69
D294,955 S *	3/1988	Ragnerstam	D19/67
4,884,734 A	12/1989	Kahl, Jr. et al.		
4,961,525 A	10/1990	Corbo et al.		
5,071,051 A	12/1991	Corbo et al.		

5,759,342 A	6/1998	Luhman		
5,820,005 A	10/1998	Perkitny et al.		
D416,288 S *	11/1999	Kuehn	D19/69
6,176,409 B1 *	1/2001	Lee	225/16

FOREIGN PATENT DOCUMENTS

EP	0 104 989	4/1984
EP	0 351 088	1/1990
EP	0 640 548	3/1995
GB	673 055	5/1952
WO	WO 97 08087	3/1997

OTHER PUBLICATIONS

Patent Abstracts of Japan, vol. 1996, No. 09, Sep. 30, 1996—& JP 08 119523 A (Nire Kogyo KK), May 14, 1997 Abstract.

* cited by examiner

Primary Examiner—Martie K. Holtje

(74) *Attorney, Agent, or Firm*—Fay, Sharpe, Fagan, Minnich & McKee, LLP

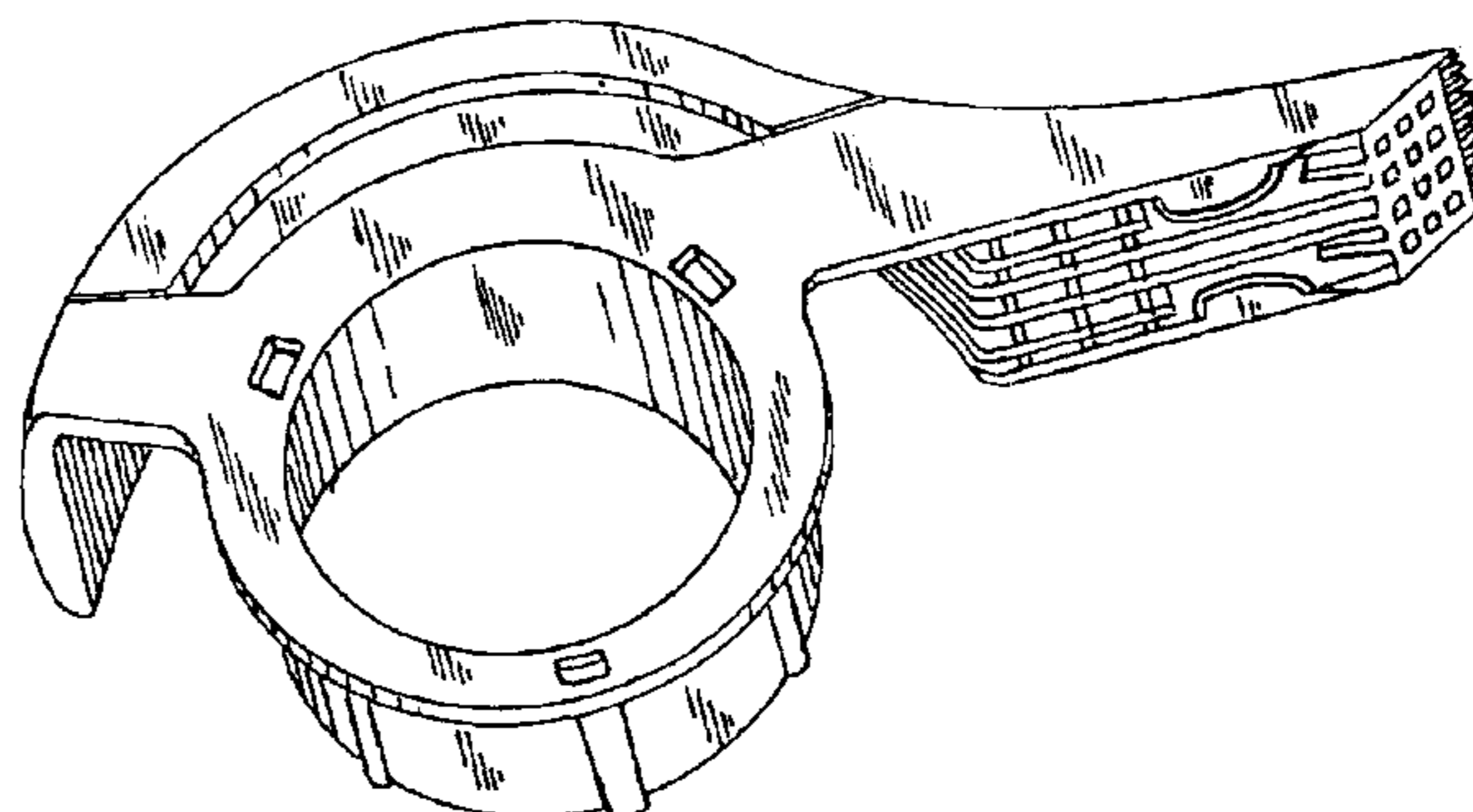
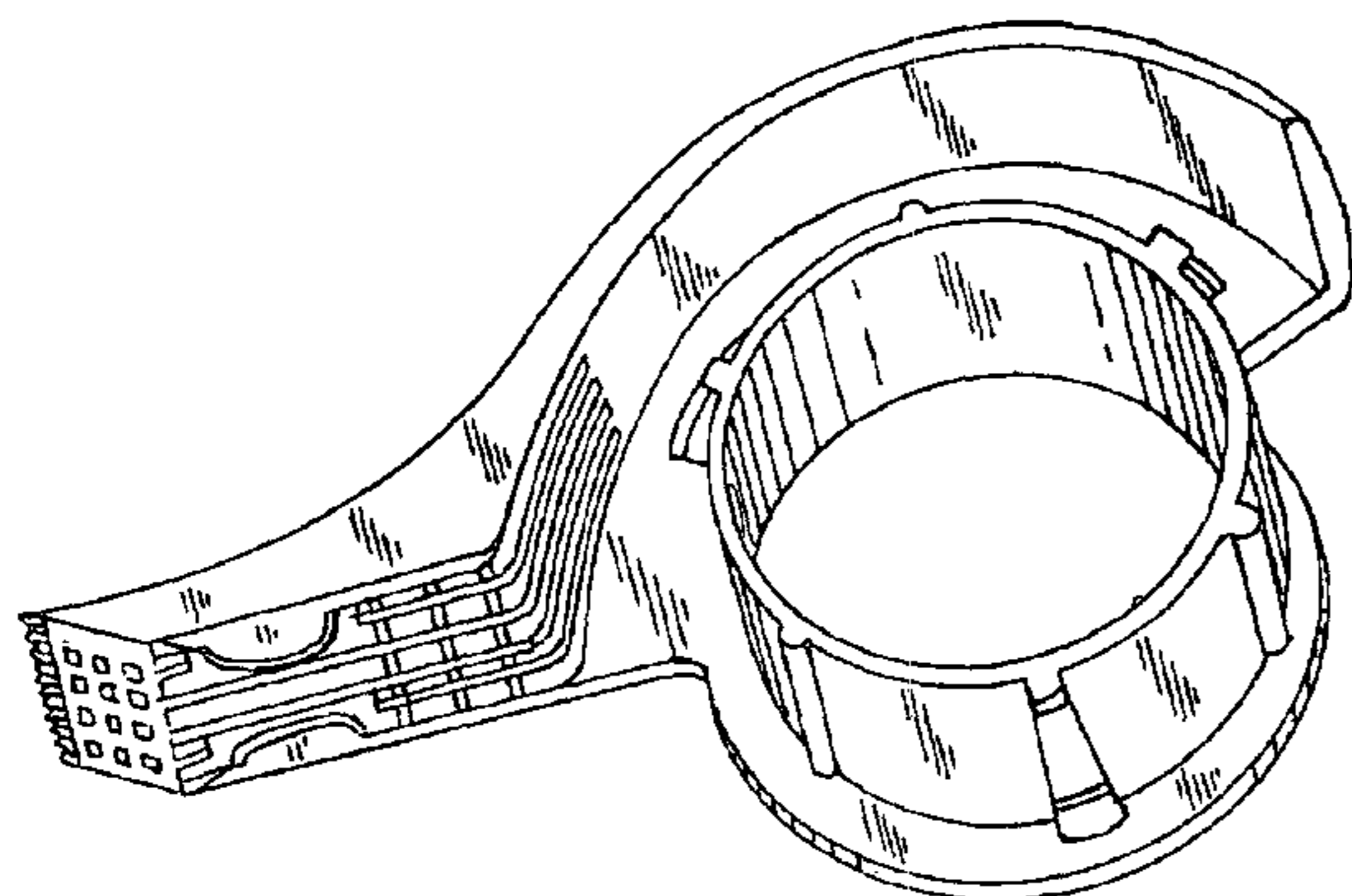
(57) **CLAIM**

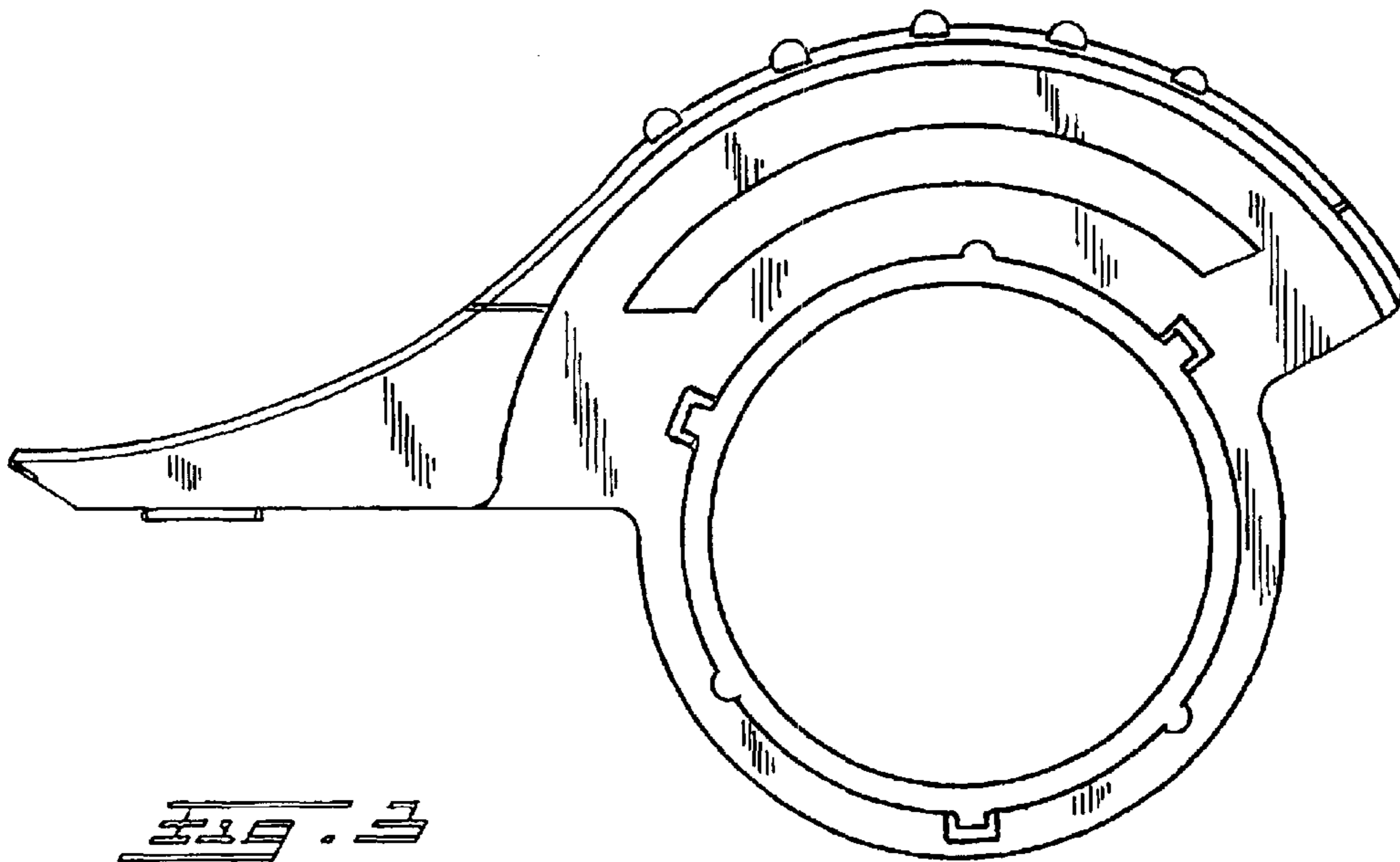
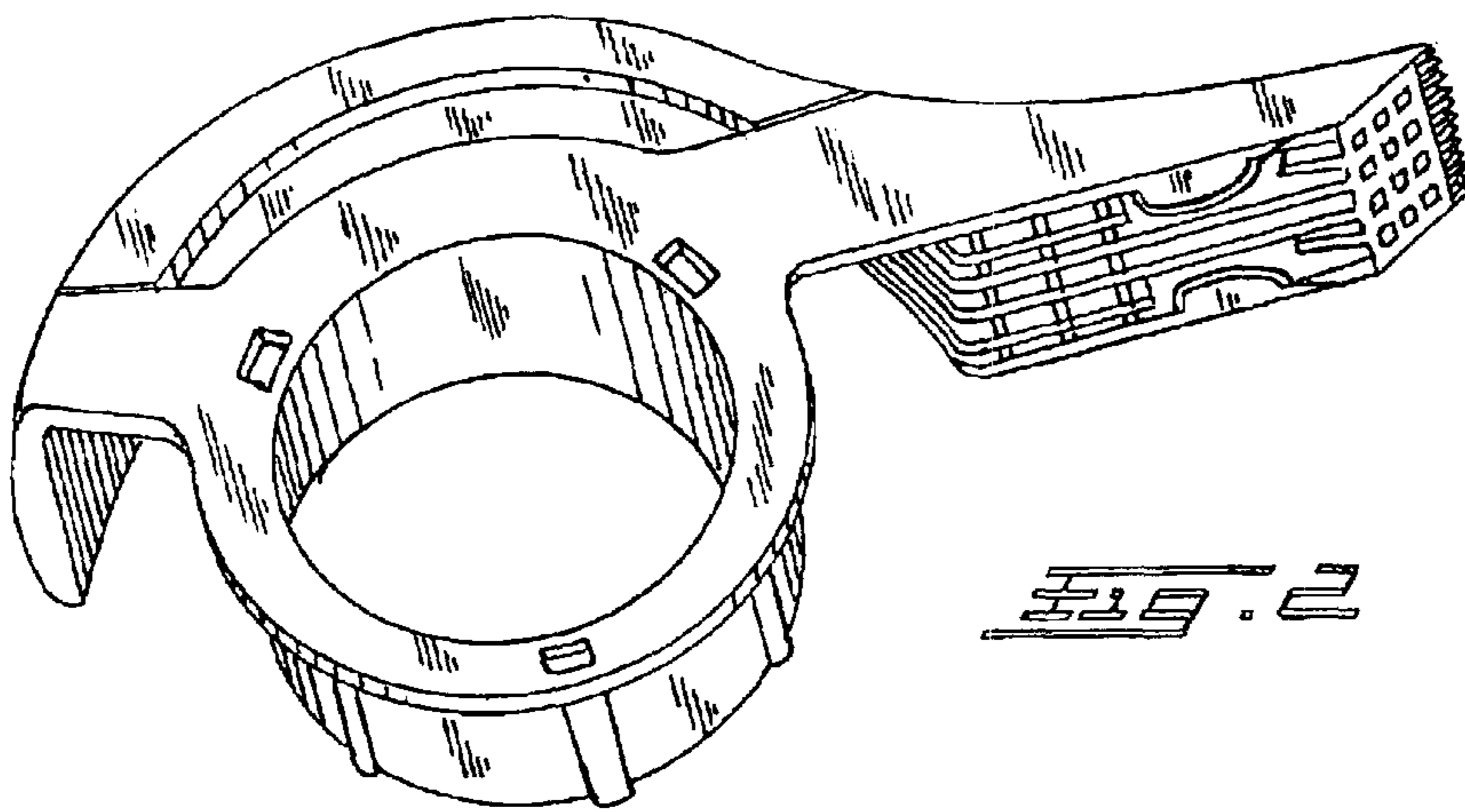
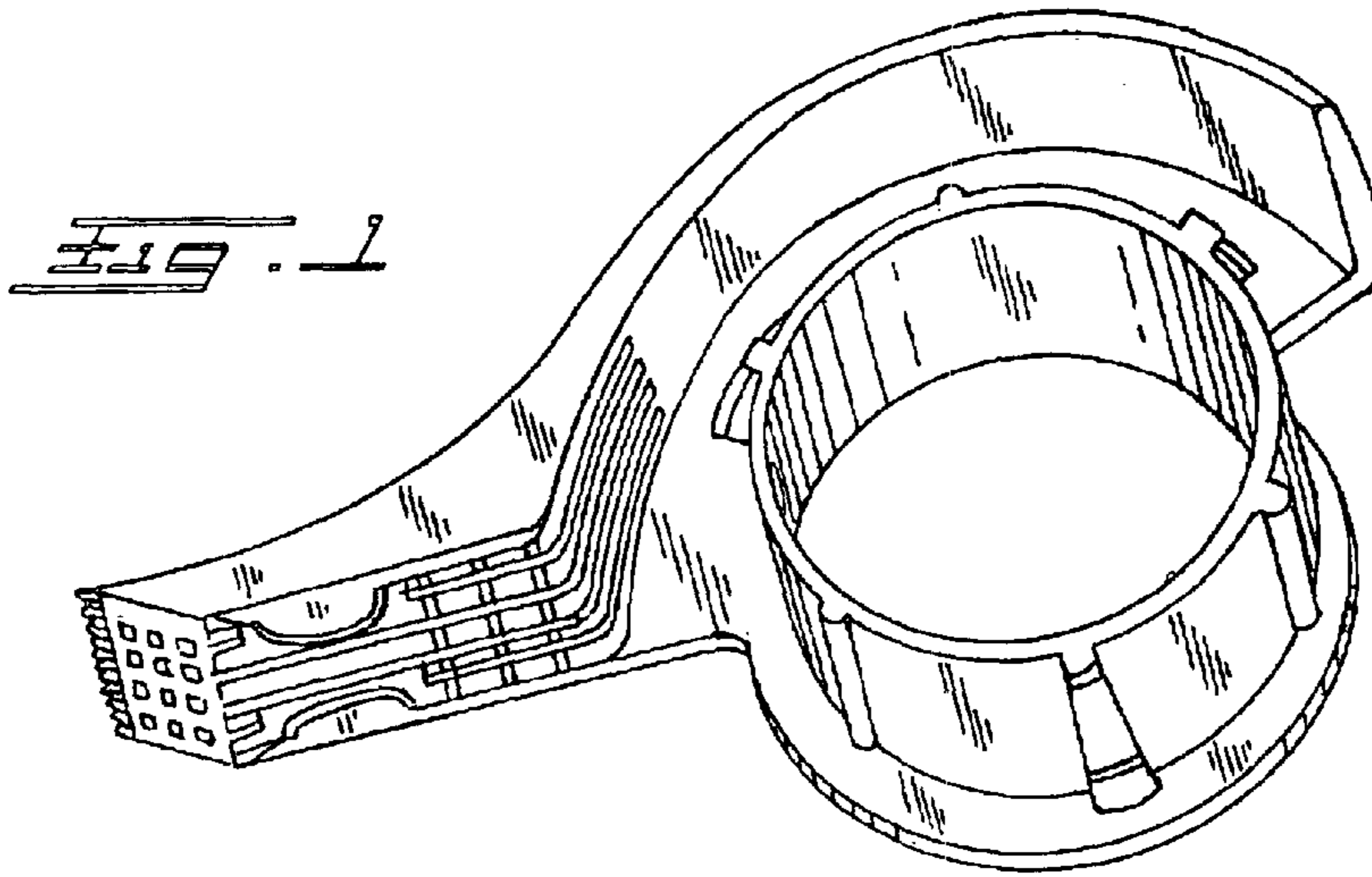
The ornamental design for a tape dispenser, as shown and described.

DESCRIPTION

FIG. 1 is a perspective view from one side of a tape dispenser showing our new design; FIG. 2 is a perspective view from the other side thereof; FIG. 3 is an elevation view of one side thereof; FIG. 4 is an elevational view of the opposite side thereof; FIG. 5 is a top view thereof; FIG. 6 is a bottom view thereof; FIG. 7 is a front elevational view thereof; and, FIG. 8 is a rear elevational view thereof.

1 Claim, 2 Drawing Sheets





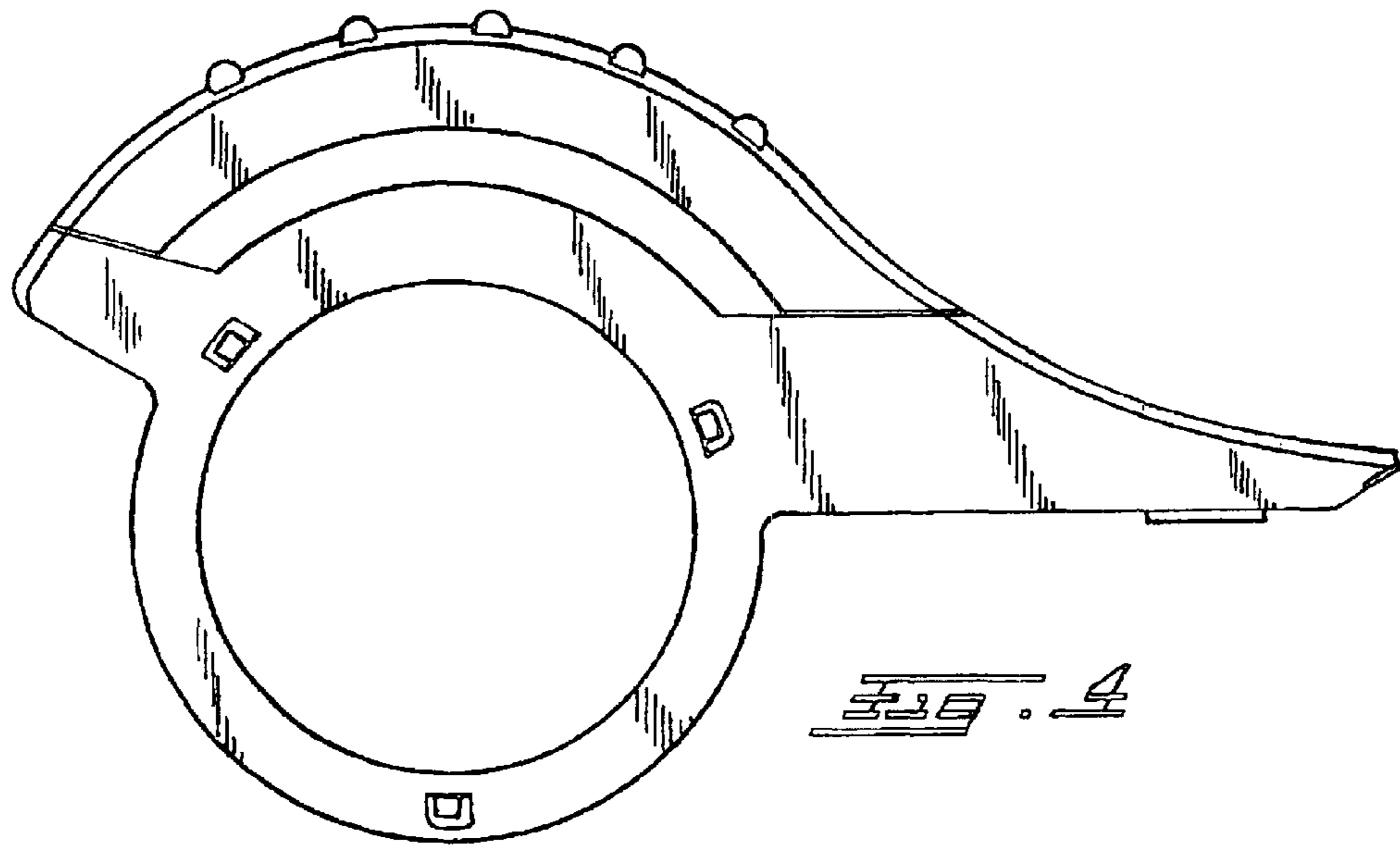


FIG. 4

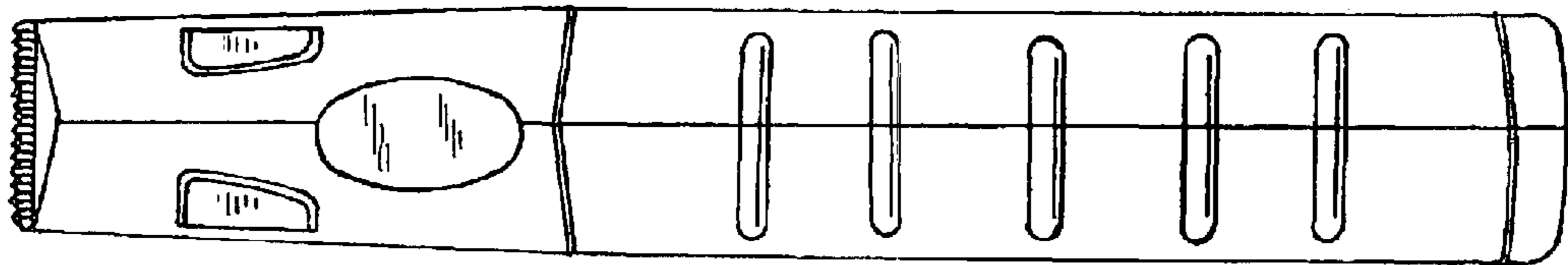


FIG. 5

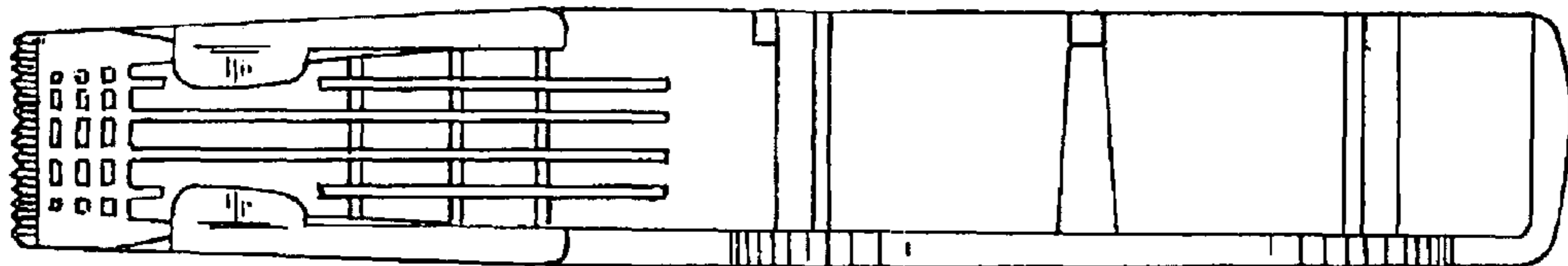


FIG. 6

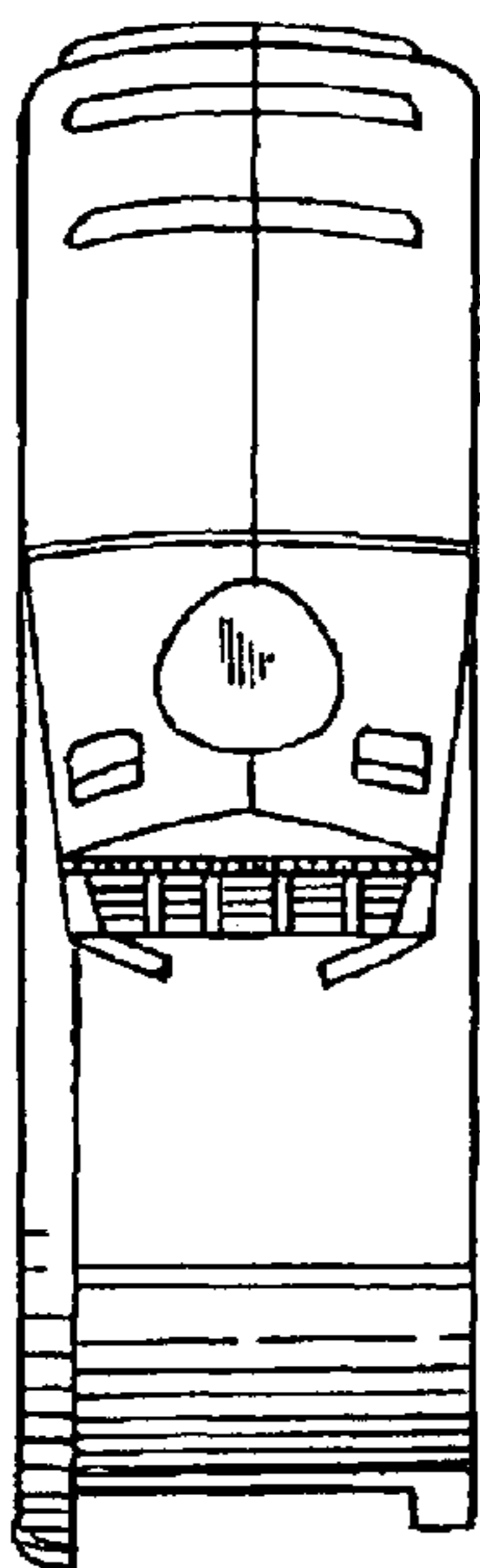


FIG. 7

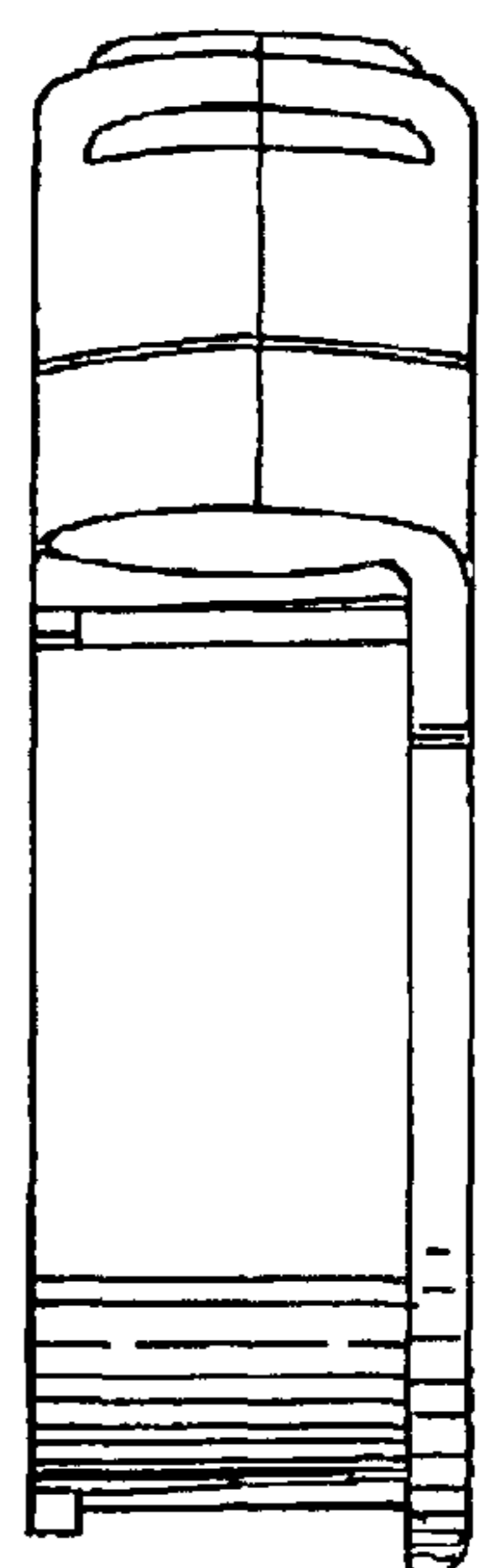


FIG. 8