



US00D500083S

(12) **United States Design Patent**
Chen et al.

(10) **Patent No.: US D500,083 S**

(45) **Date of Patent: ** Dec. 21, 2004**

(54) **CLIP**

(75) Inventors: **Peter Chen**, West Windsor, NJ (US);
Kevin Hui-Lien Lee, East Brunswick,
NJ (US); **Jungkun Lee**, Edison, NJ
(US)

(73) Assignee: **Officemate International Corp.**,
Edison, NJ (US)

(**) Term: **14 Years**

(21) Appl. No.: **29/196,981**

(22) Filed: **Jan. 8, 2004**

(51) **LOC (7) Cl. 19-02**

(52) **U.S. Cl. D19/65; D19/90; D19/88;
D8/395**

(58) **Field of Search** D8/389, 390, 394,
D8/395; D19/65, 75, 78, 86, 88, 90, 91,
99, 100; 24/67 R, 67.1-67.11, 334, 351-354,
499, 509, 510, 3.11, 13; 248/441.1, 451,
217.3, 452; 281/45

(56) **References Cited**

U.S. PATENT DOCUMENTS

3,099,269 A * 7/1963 Sørensen 24/67.11
4,925,143 A * 5/1990 Sandmeyer 248/441.1

5,148,581 A * 9/1992 Hartmann 24/351
D438,452 S * 3/2001 Tsai D8/395
6,213,517 B1 * 4/2001 Goluszka et al. 281/45
D450,090 S * 11/2001 Cheris et al. D19/88
D477,213 S * 7/2003 Jones et al. D8/395
D478,628 S * 8/2003 Sheldon et al. D19/65
D486,862 S * 2/2004 Coe D19/65
D486,863 S * 2/2004 Coe D19/65

* cited by examiner

Primary Examiner—Martie K. Holtje

(74) *Attorney, Agent, or Firm*—Daniel Kirshner, Esq.

(57) **CLAIM**

The ornamental design for a clip, as shown and described.

DESCRIPTION

FIG. 1 is a front perspective view of a clip showing our new design;

FIG. 2 is a front elevational view thereof;

FIG. 3 is a rear elevational view thereof;

FIG. 4 is a right side elevational view thereof;

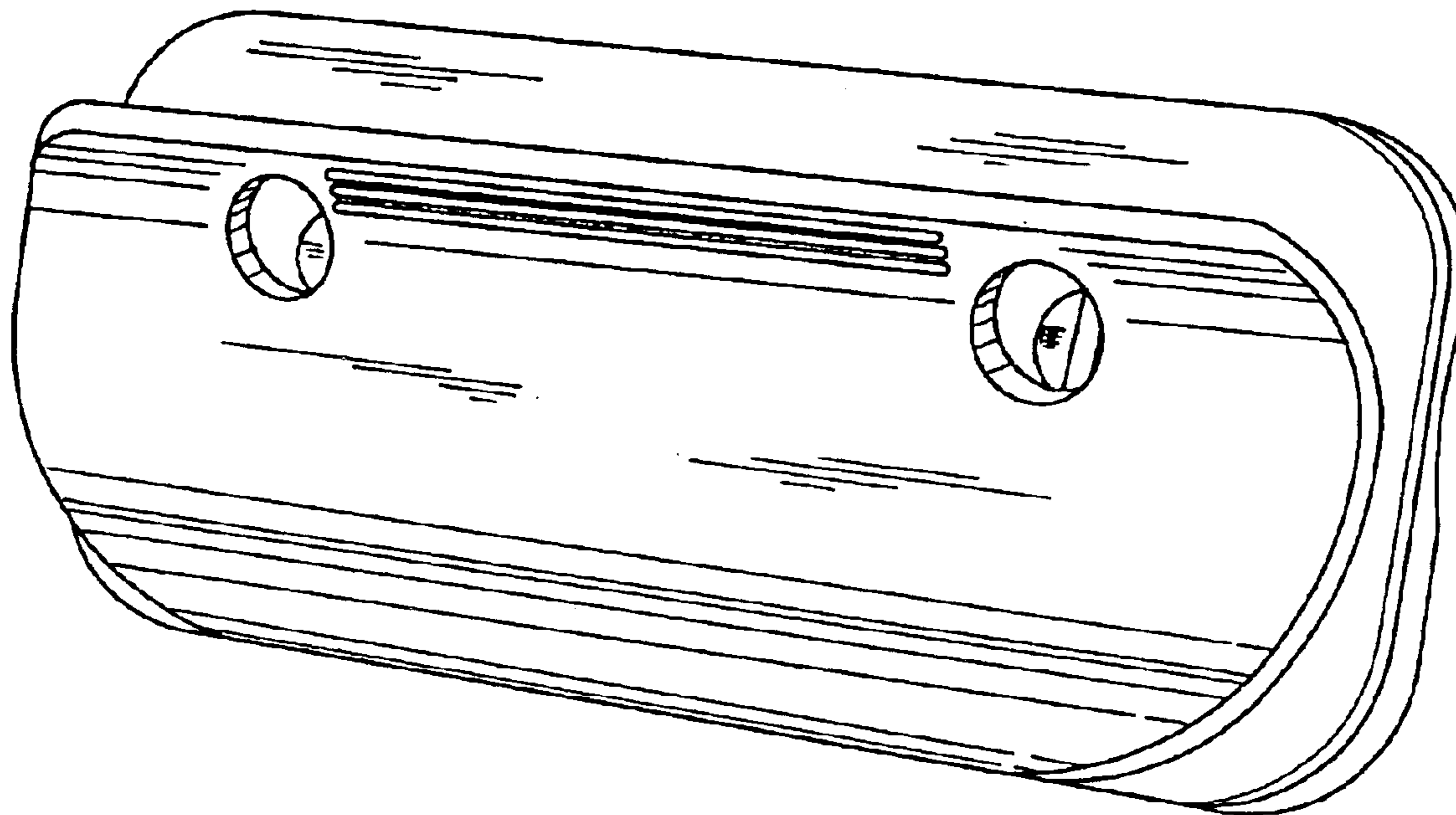
FIG. 5 is a left side elevational view thereof;

FIG. 6 is a top plan view thereof;

FIG. 7 is a bottom plan view thereof; and,

FIG. 8 is a front perspective view thereof with the attachment devices shown in an exploded condition.

1 Claim, 5 Drawing Sheets



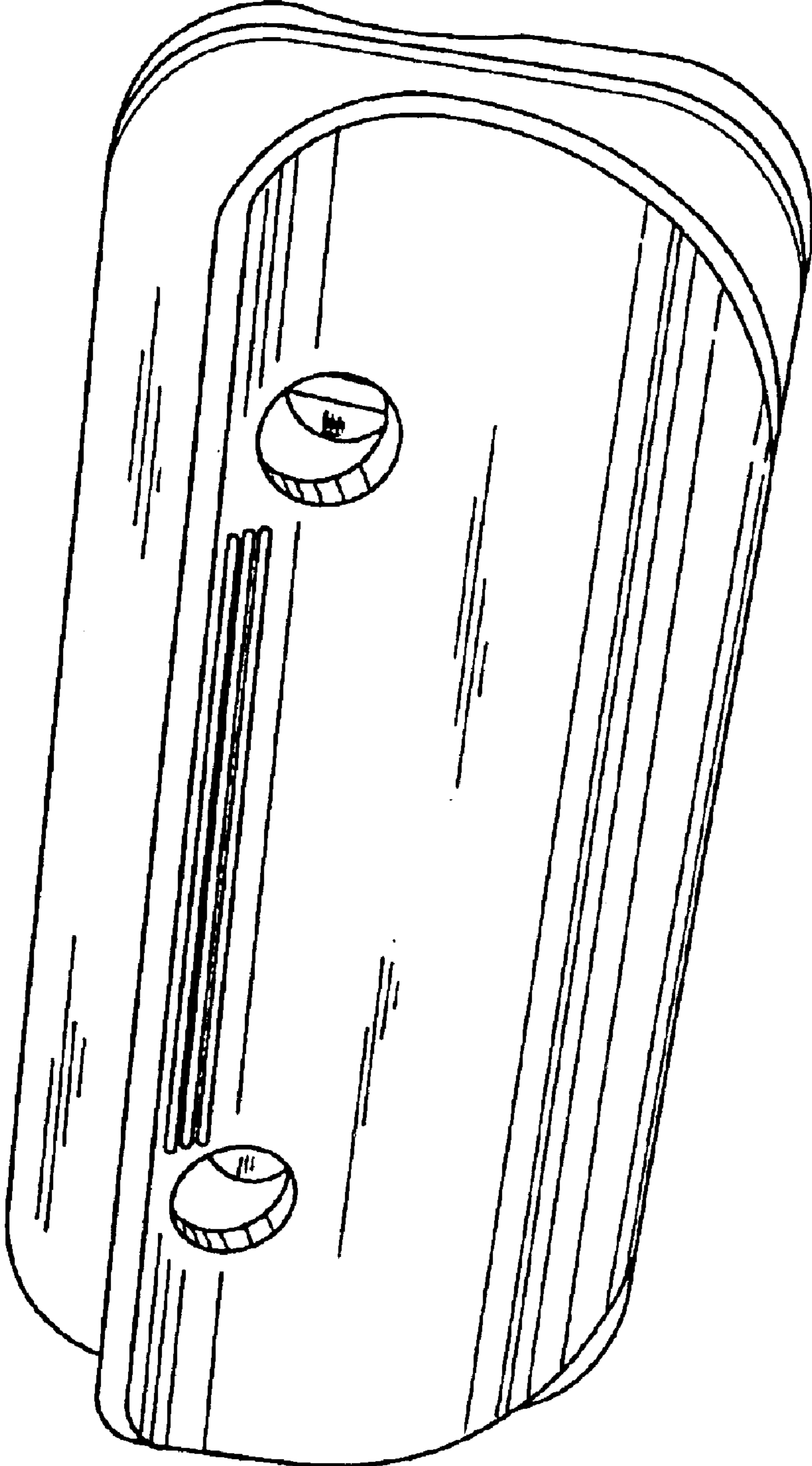


FIG. 1

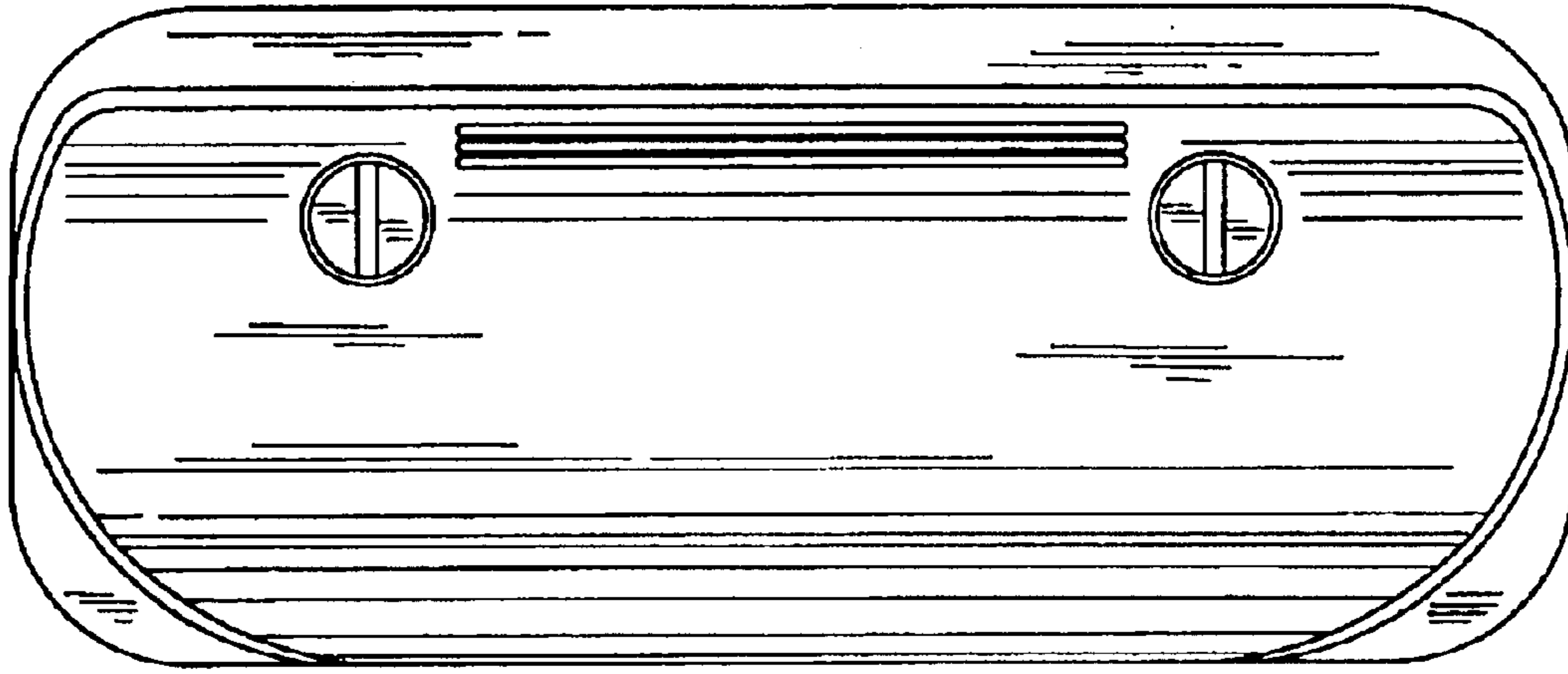


FIG. 2

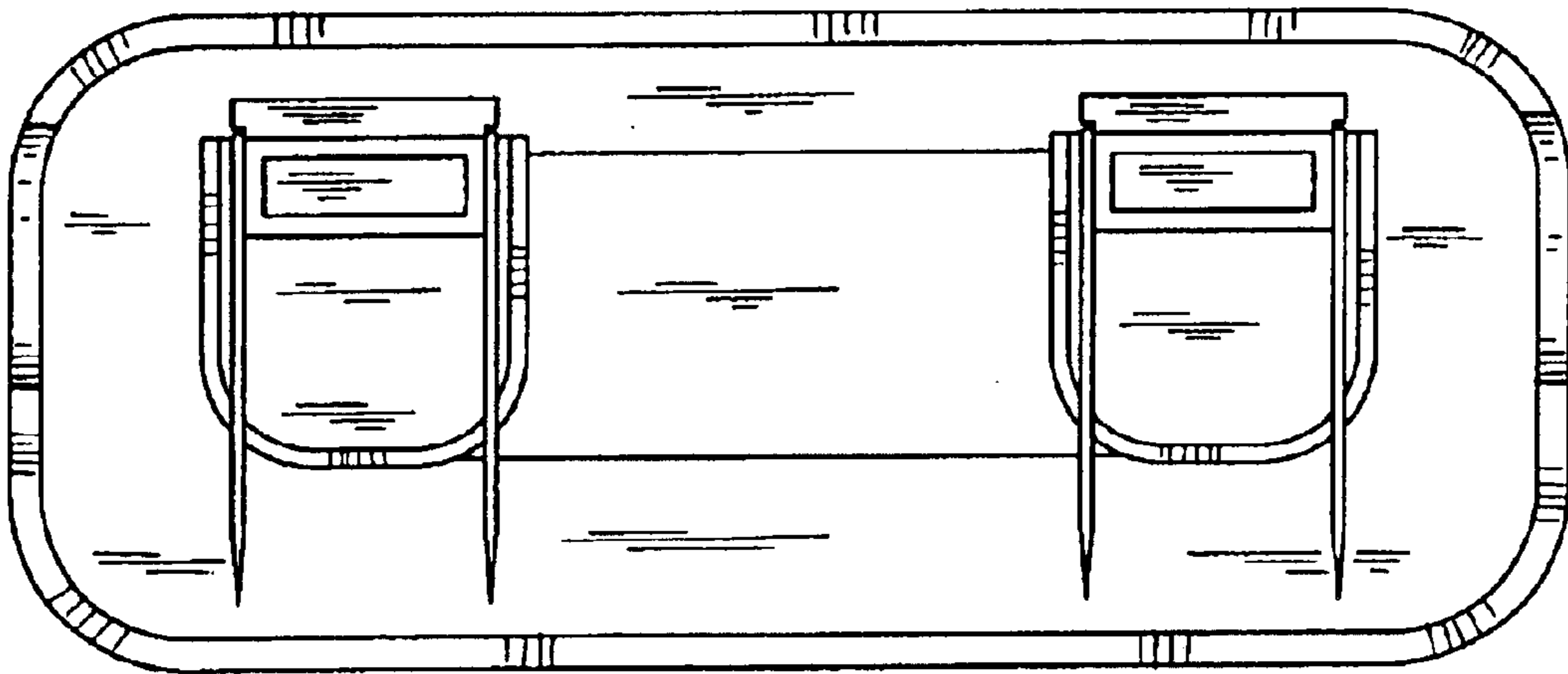


FIG. 3

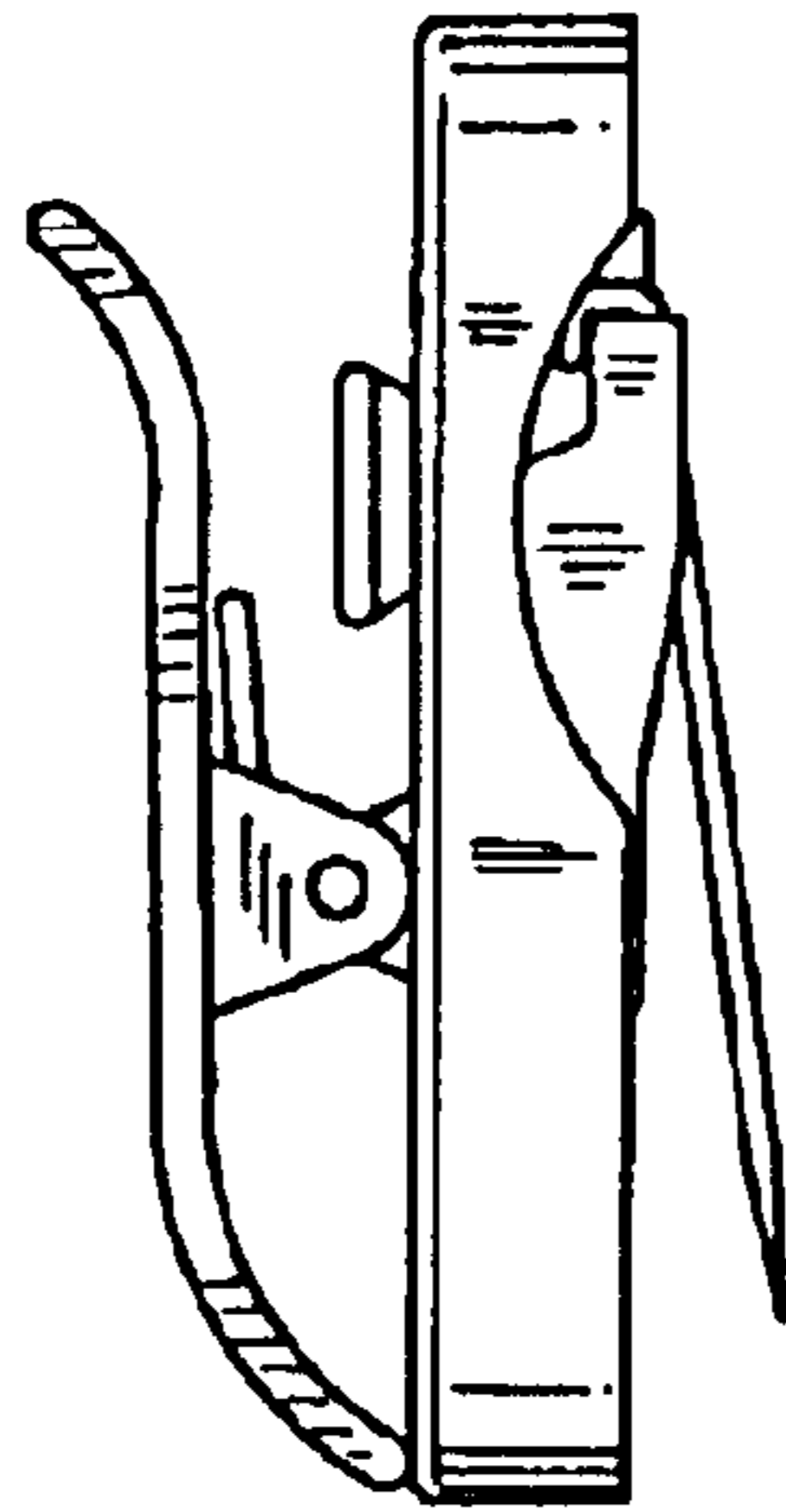


FIG. 4

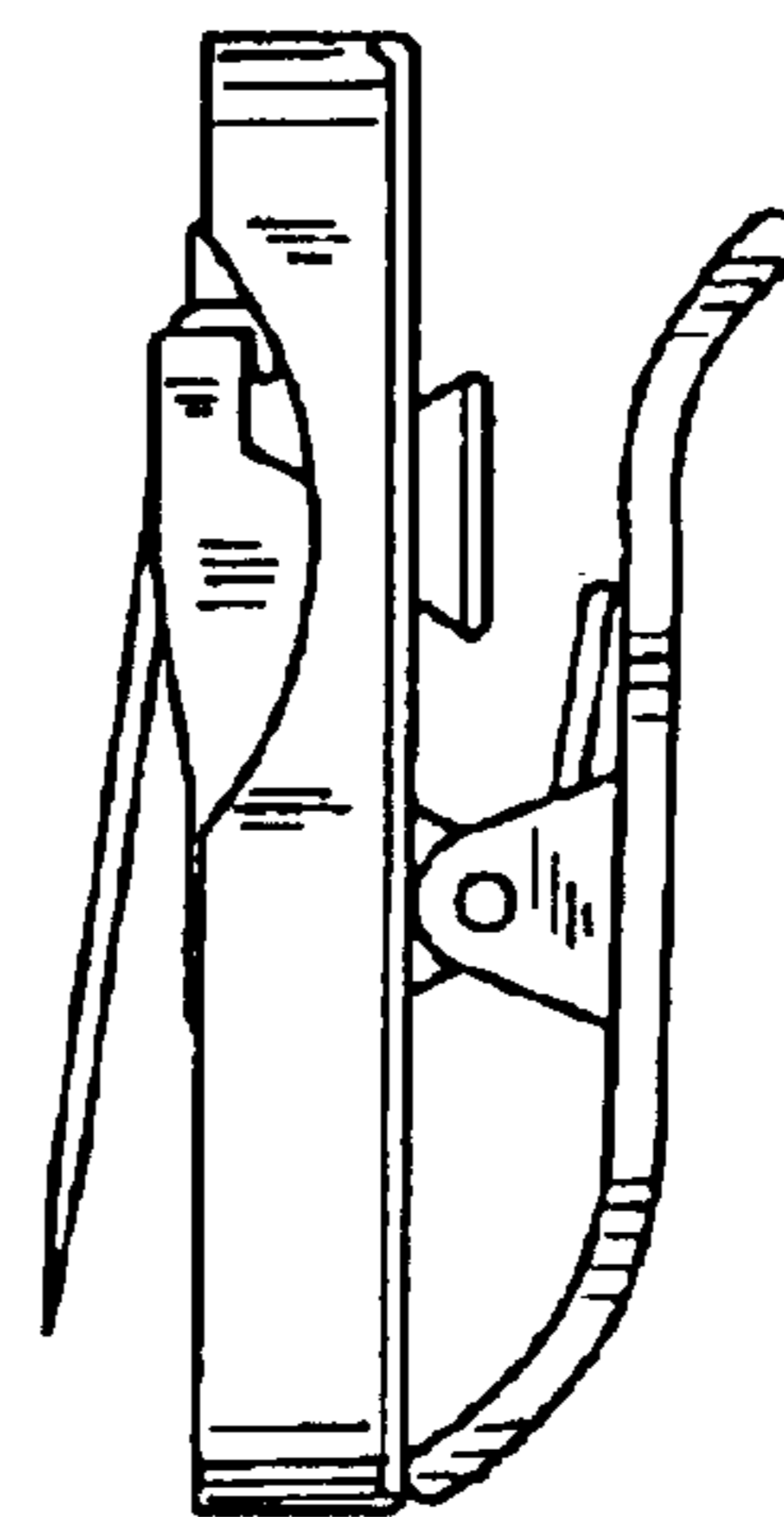


FIG. 5

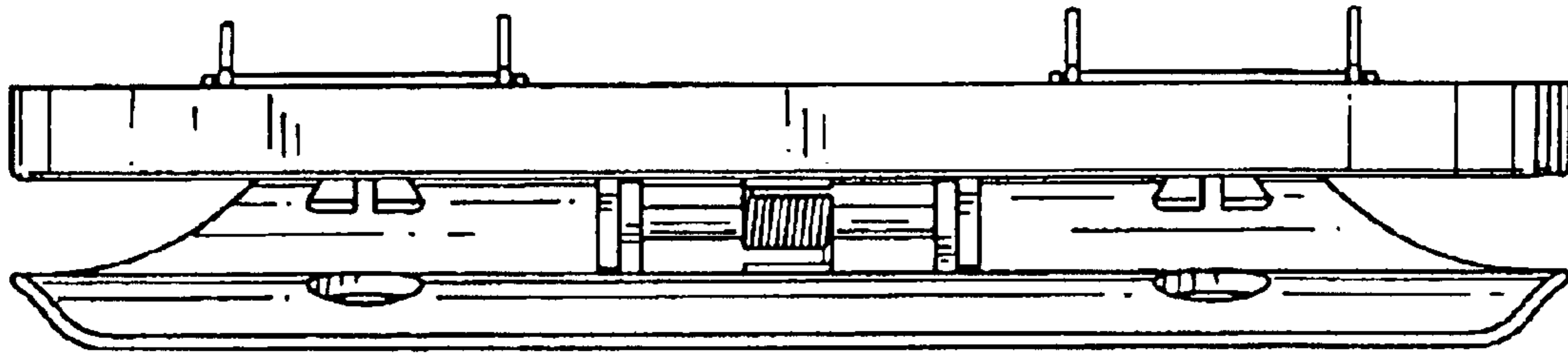


FIG. 6

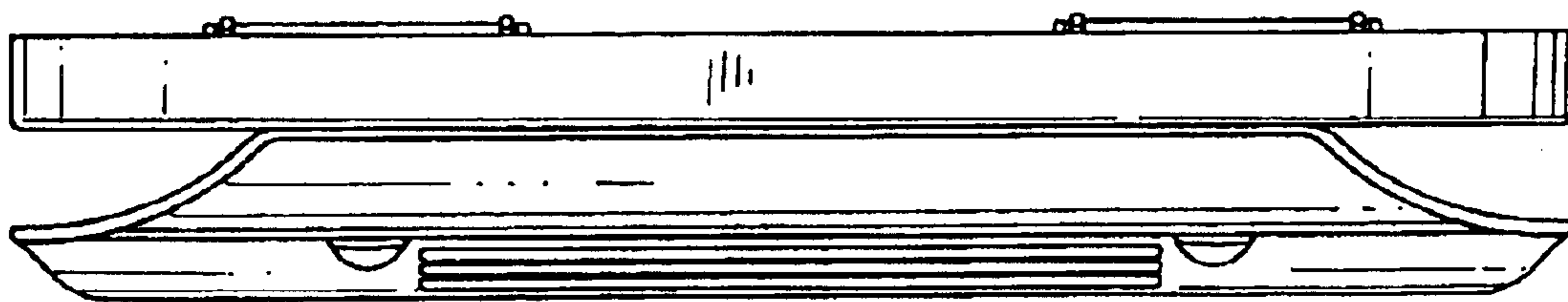


FIG. 7

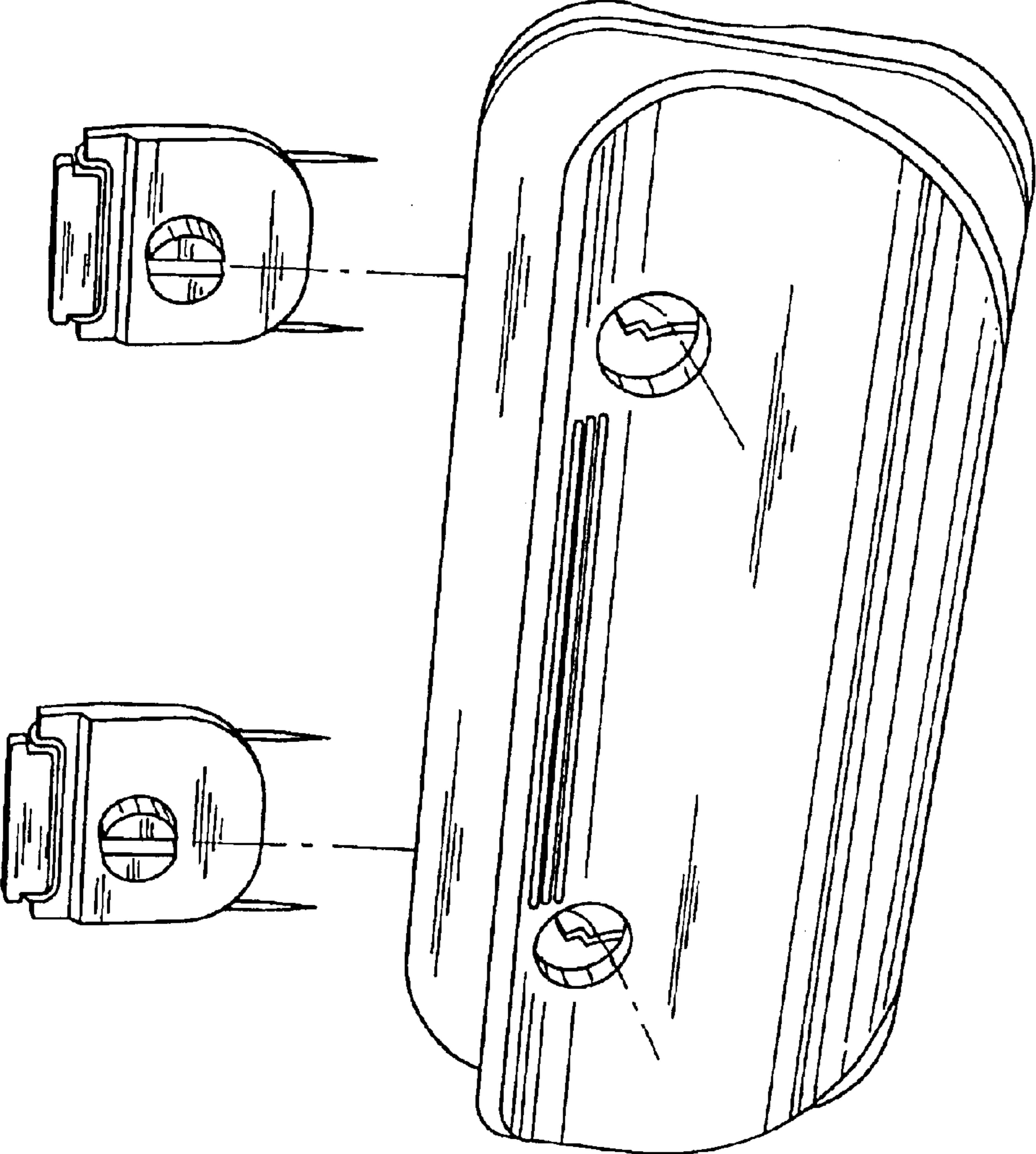


FIG. 8