

US00D500082S

(12) **United States Design Patent**  
**Rosado**

(10) **Patent No.:** **US D500,082 S**

(45) **Date of Patent:** **\*\* Dec. 21, 2004**

- (54) **CLIP**
- (75) **Inventor:** **Michael A. Rosado**, Raleigh, NC (US)
- (73) **Assignee:** **Adstracts, Inc.**, Raleigh, NC (US)
- (\*\*) **Term:** **14 Years**
- (21) **Appl. No.:** **29/193,559**
- (22) **Filed:** **Nov. 12, 2003**
- (51) **LOC (7) Cl.** ..... **19-02**
- (52) **U.S. Cl.** ..... **D19/65; D19/86; D19/88;**  
D19/90; D8/395
- (58) **Field of Search** ..... D6/518; D8/394,  
D8/395; D19/34, 65, 75, 78, 86, 88, 90,  
91, 99, 100; 24/67 R, 67.1-67.11, 489,  
501, 507, 531, 510, 511, 562, 545-549,  
457, 563; 248/441.1, 442.2, 451, 452, 449;  
221/33, 34, 35, 46, 63

D285,938 S	9/1986	Ventres, Jr. ....	D19/1
4,665,620 A	5/1987	Osteen .....	33/138
D294,006 S	2/1988	Gygax et al.	
4,770,320 A	9/1988	Miles et al. ....	221/33
D302,568 S	8/1989	Berger	
D306,876 S	3/1990	Greenhut et al.	
4,955,576 A	9/1990	Moberg .....	248/499
4,983,047 A	1/1991	Netto .....	383/92
4,993,590 A	2/1991	Windorski .....	221/46
5,015,114 A	5/1991	Miller .....	402/4
5,020,931 A	6/1991	Sloot .....	402/79
5,079,808 A	1/1992	Brown .....	24/511
5,080,254 A	1/1992	Feer .....	221/33
5,116,012 A	5/1992	Offenhauer et al. ....	248/452
5,145,141 A	9/1992	Hunter .....	248/452
D331,074 S	11/1992	Dotterman et al. ....	D19/86
D332,114 S	12/1992	Offenhauer et al. ....	D19/88
5,167,346 A	12/1992	Bodziak .....	221/63
5,180,133 A	1/1993	Chang .....	248/452
D335,078 S	4/1993	Hampshire	
5,222,763 A	6/1993	Garza .....	281/29

(List continued on next page.)

(56) **References Cited**

**U.S. PATENT DOCUMENTS**

792,747 A	6/1905	Anderson et al. ....	402/79
860,514 A	7/1907	Batten et al. ....	402/79
860,645 A	7/1907	Dobbins .....	402/79
954,102 A	4/1910	Hutchings	
1,107,351 A	8/1914	Proudfit .....	402/79
1,215,643 A	2/1917	Fuller	
1,324,283 A	12/1919	Stone	
2,586,732 A	2/1952	Sohier .....	24/67
2,776,149 A	1/1957	Hobbs .....	281/15
D182,577 S	* 4/1958	Fleming .....	D19/88
3,105,279 A	10/1963	Westhoff .....	24/67.5
3,126,094 A	3/1964	Arnold et al. ....	206/554
D204,337 S	* 4/1966	Smith .....	D19/65 X
3,574,248 A	4/1971	Gaglia .....	24/508
3,727,829 A	4/1973	Huni .....	383/203
4,173,358 A	11/1979	Wilson .....	281/45
D257,158 S	9/1980	Olsson	
4,416,392 A	11/1983	Smith .....	221/45
4,506,416 A	3/1985	Ohminato et al. ....	24/489
4,537,330 A	8/1985	Gelbard	
4,562,618 A	1/1986	Masuda .....	24/67.7
4,586,630 A	5/1986	Loder .....	221/46

*Primary Examiner*—Martie K. Holtje

(74) *Attorney, Agent, or Firm*—Myers Bigel Sibley & Sajovec

(57) **CLAIM**

The ornamental design for a clip, as shown and described.

**DESCRIPTION**

FIG. 1 is a perspective view of a clip, showing my new design;

FIG. 2 is a top plan view thereof;

FIG. 3 is a bottom plan view thereof;

FIG. 4 is a front elevational view thereof;

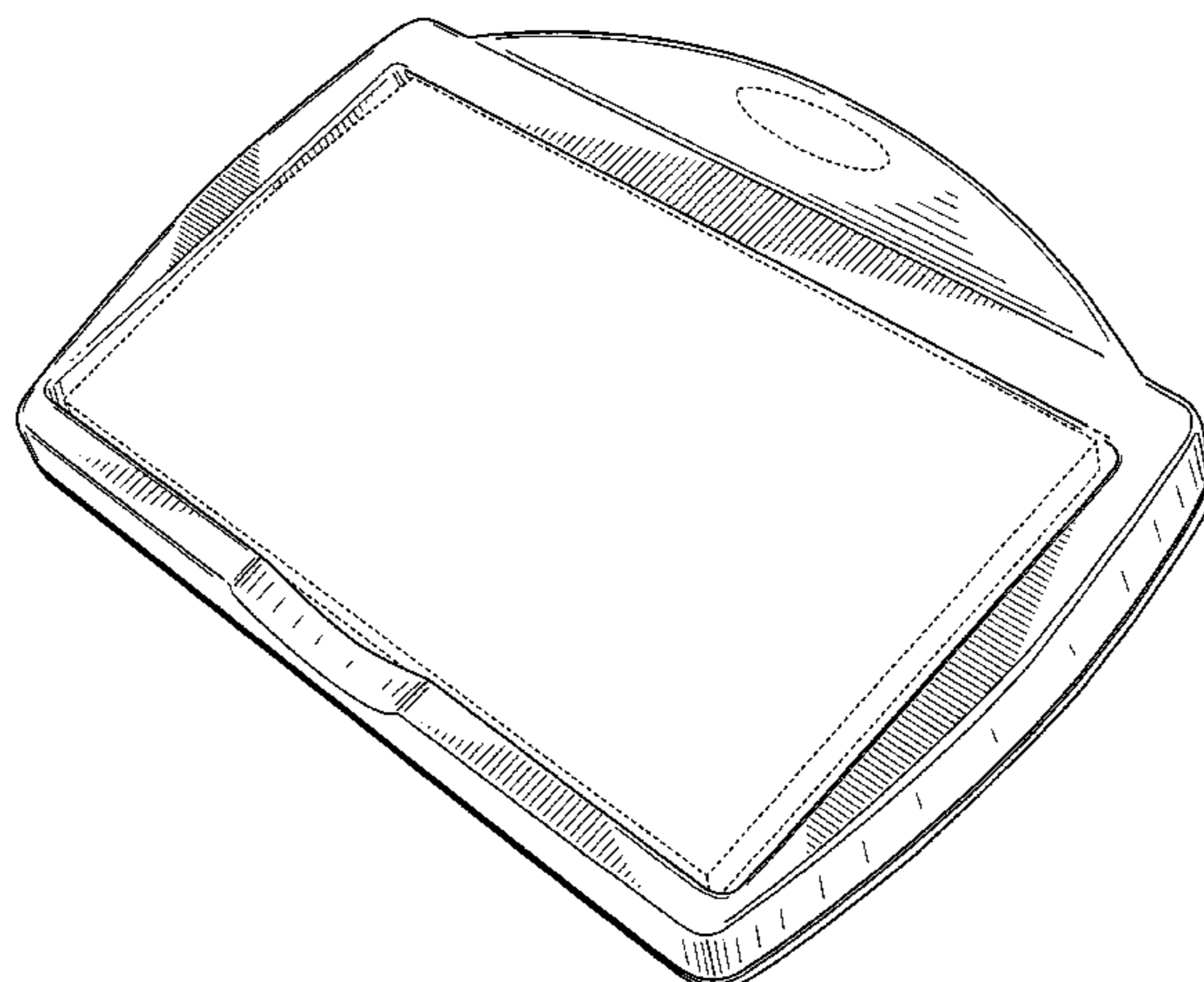
FIG. 5 is a rear elevational view thereof; opposite that shown in FIG. 4;

FIG. 6 is a side elevational view thereof; and,

FIG. 7 is a perspective view of the clip of FIG. 1 shown in its environment.

The broken lines shown herein are for illustrative purposes only and form no part of the claimed design.

**1 Claim, 7 Drawing Sheets**



# US D500,082 S

Page 2

## U.S. PATENT DOCUMENTS

D342,759 S	12/1993	Kirchhoff et al. ....	D19/86	D406,168 S	2/1999	Wolff	
5,276,986 A	1/1994	Thomas .....	40/336	D406,169 S	2/1999	Wolff	
5,283,091 A	2/1994	Darvell et al. ....	428/40	D406,170 S	2/1999	Wolff	
5,301,393 A	4/1994	Brown .....	24/67.7	D406,171 S	2/1999	Wolff	
5,309,605 A	5/1994	Sato .....	24/67.9	5,881,434 A	3/1999	Rigney .....	24/531
D348,484 S	7/1994	Blackwell et al. ....	D19/69	5,888,011 A	3/1999	Reinbold, Jr. ....	402/70
D348,902 S	7/1994	Beyer		D408,452 S	4/1999	Coe .....	D19/65
D352,314 S	11/1994	Wolff		D412,343 S	7/1999	Offenhauer .....	D19/65
5,363,985 A	11/1994	Cornell .....	221/46	5,964,375 A	10/1999	Carlson et al. ....	221/45
5,401,547 A	3/1995	Blackwell et al. ....	428/40	5,966,741 A	10/1999	Klecina	
5,413,382 A	5/1995	Cornell et al. ....	281/45	D416,411 S	11/1999	Carlson et al. ....	D6/515
5,427,413 A	6/1995	Garza .....	281/29	D416,586 S	11/1999	Landauer .....	D19/88
D364,188 S	11/1995	Wolff		D419,601 S	1/2000	Windorski .....	D19/86
D366,501 S	* 1/1996	Shamoon .....	D19/88	6,024,384 A	2/2000	Jones et al. ....	281/45
5,524,762 A	6/1996	Shafran et al.		D424,114 S	5/2000	Isaacs et al. ....	D19/65
5,553,959 A	9/1996	Feldman et al. ....	402/79	D425,737 S	5/2000	Carlson et al. ....	D6/515
5,555,606 A	9/1996	Chu .....	24/67.9	D428,921 S	8/2000	Saylor et al.	
5,572,815 A	11/1996	Kovner .....	40/404	D428,926 S	8/2000	Windorski .....	D19/86
D376,534 S	12/1996	Wolff		6,095,477 A	8/2000	Pohlman .....	248/452
5,697,518 A	12/1997	Callahan, Jr. ....	221/34	6,116,424 A	9/2000	Leu	
D392,181 S	3/1998	Bries et al.		D432,906 S	* 10/2000	Stoddard .....	D8/395
5,732,925 A	3/1998	Shamoon .....	248/452	6,142,302 A	11/2000	Requena	
5,749,667 A	5/1998	Feldman et al. ....	402/79	6,175,082 B1	1/2001	Klinger et al. ....	24/457
5,758,902 A	6/1998	McManus .....	281/45	D438,452 S	3/2001	Tsai .....	D8/395
5,769,270 A	6/1998	Fujisawa et al. ....	221/34	6,216,996 B1	4/2001	Shamoon .....	248/452
5,772,035 A	6/1998	Harrison		6,217,075 B1	4/2001	Tsai .....	248/452
5,774,946 A	7/1998	Morgan .....	24/67.5	6,302,366 B1	10/2001	Saylor et al.	
5,788,080 A	8/1998	Sill et al.		6,415,521 B1	7/2002	Schnell .....	33/511
5,823,500 A	10/1998	La Coste .....	248/444	D465,524 S	* 11/2002	Nanao .....	D19/65
5,826,724 A	10/1998	Gebhardt .....	206/554	D477,213 S	* 7/2003	Jones et al. ....	D8/395
D400,584 S	11/1998	Wolff		6,681,452 B1	* 1/2004	Holland .....	24/67.3
5,860,529 A	1/1999	Smithson et al.		D488,834 S	* 4/2004	Mandel et al. ....	D19/65
D406,167 S	2/1999	Wolff					

\* cited by examiner



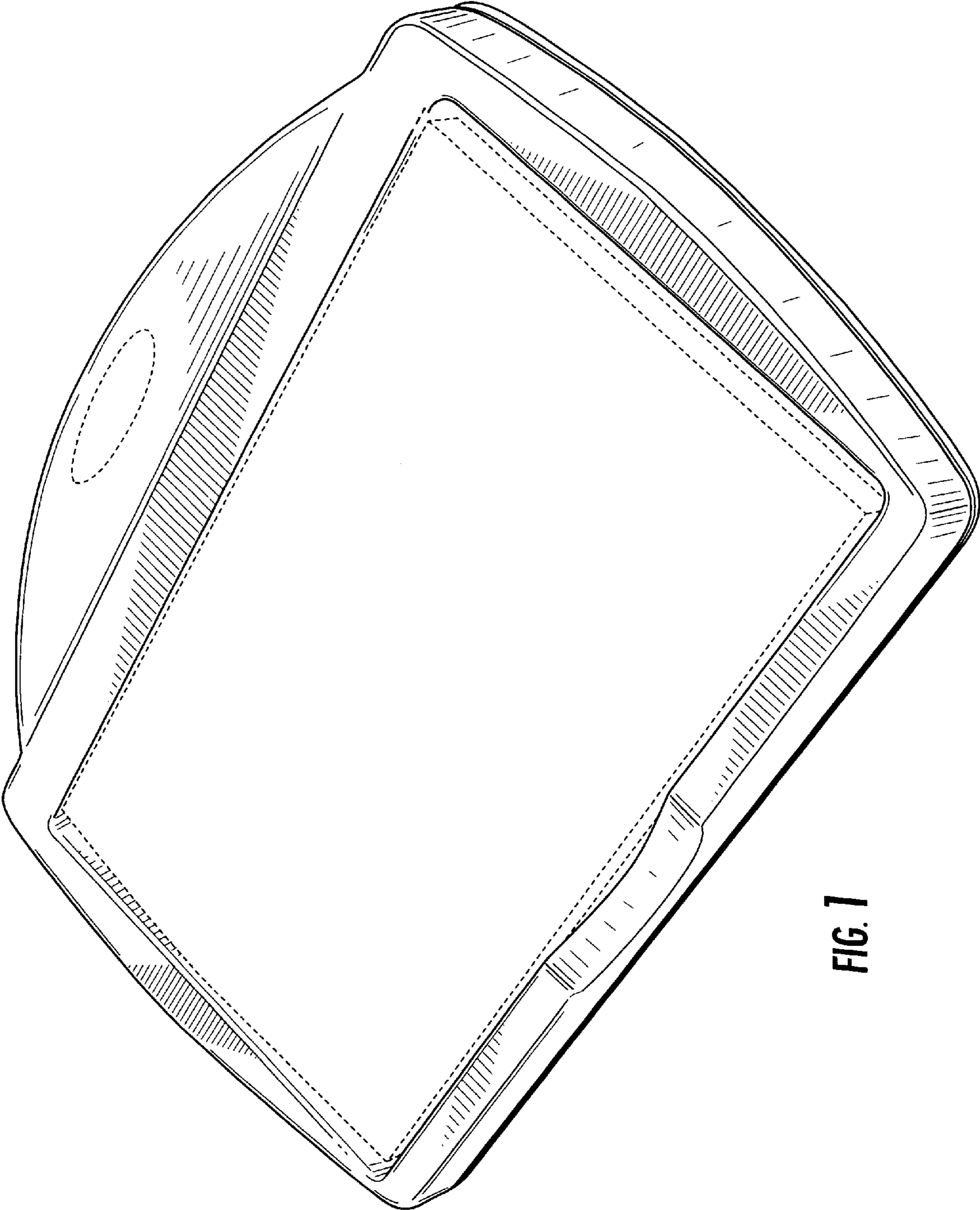


FIG. 1

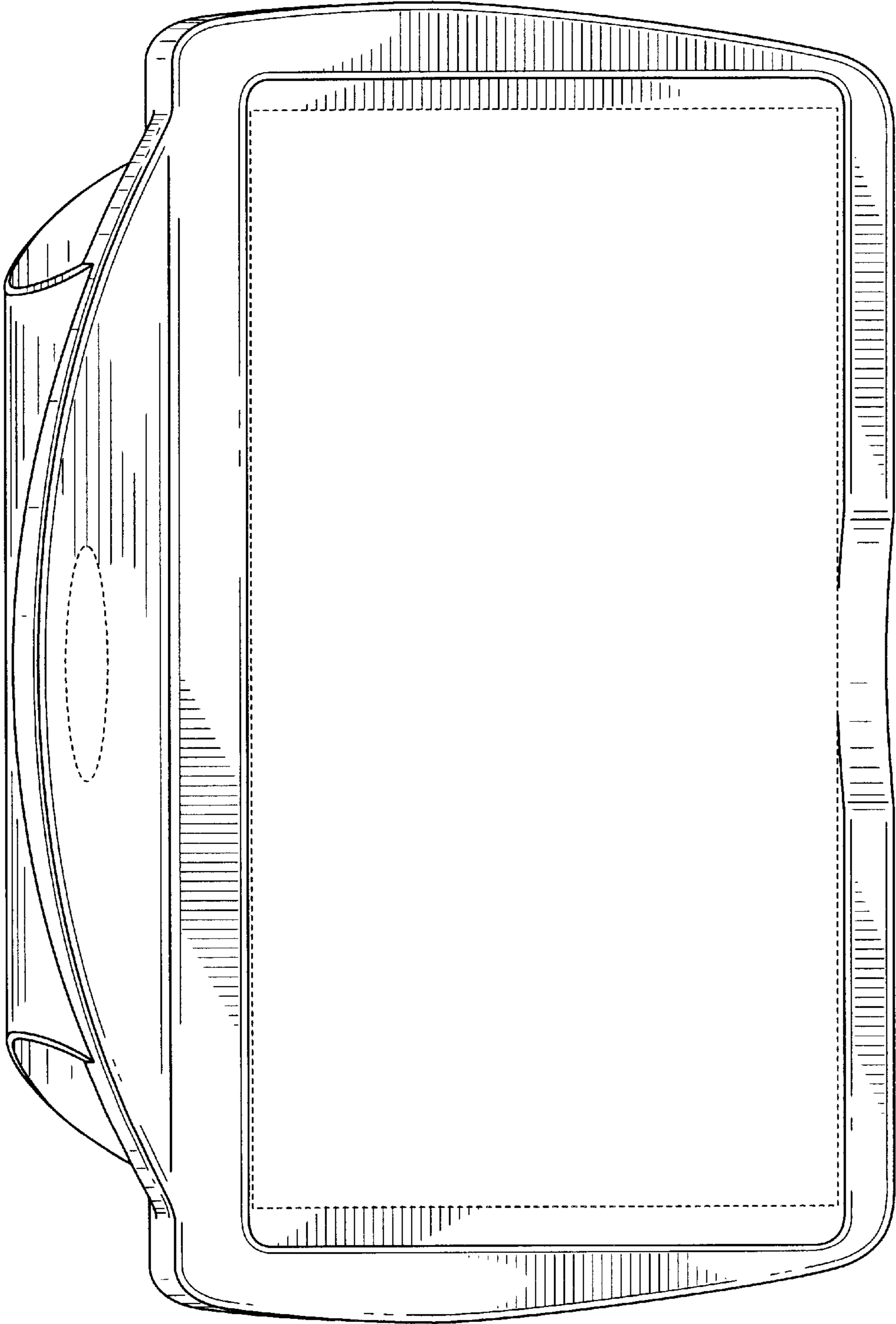


FIG. 2

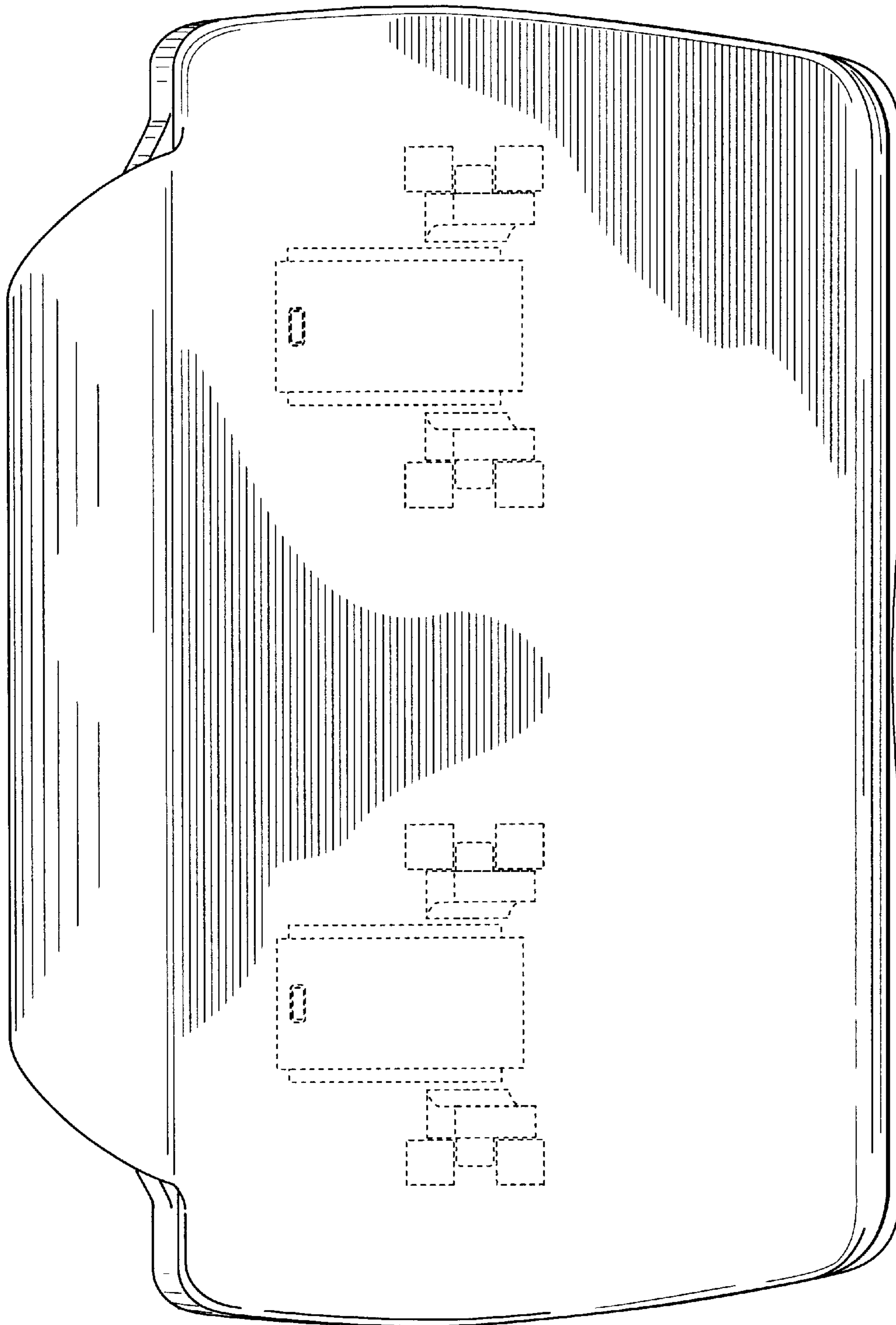


FIG. 3

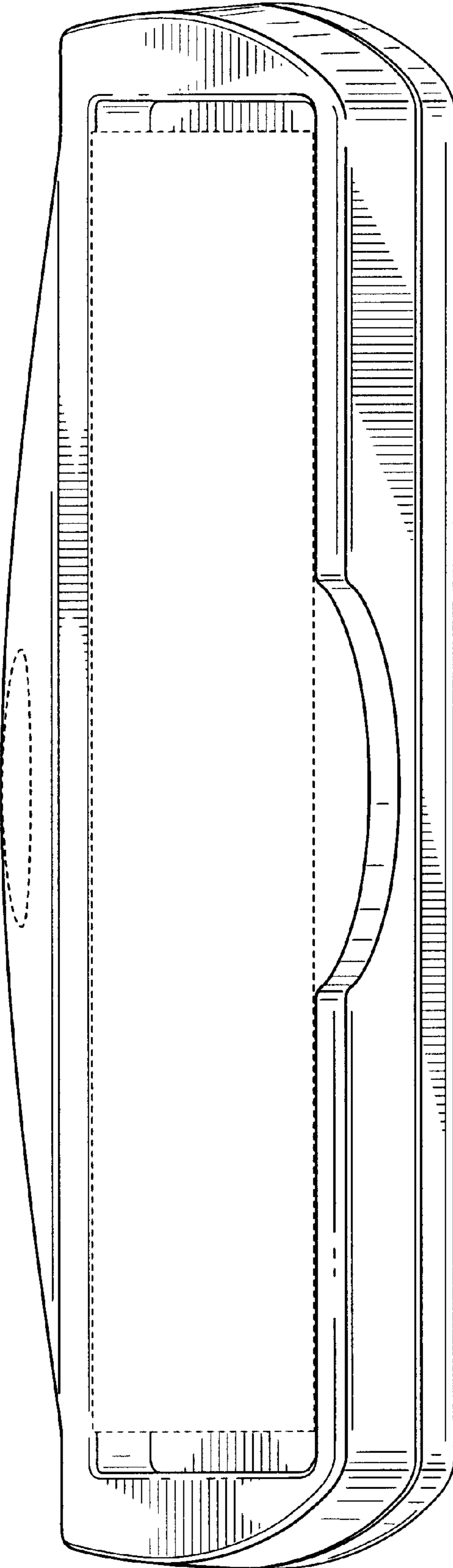


FIG. 4

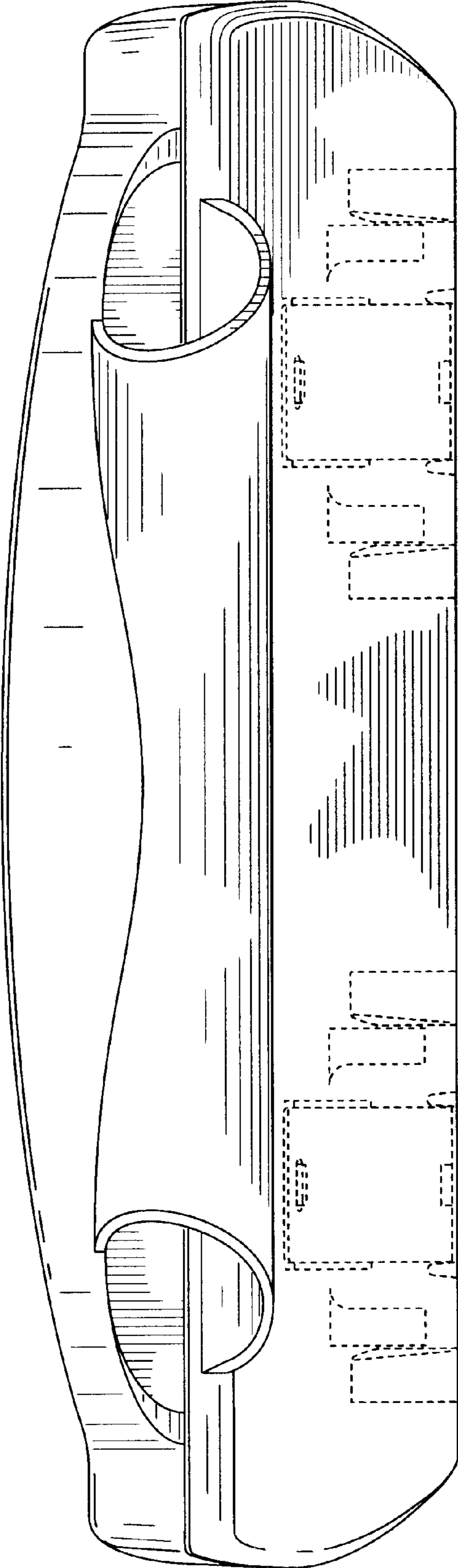
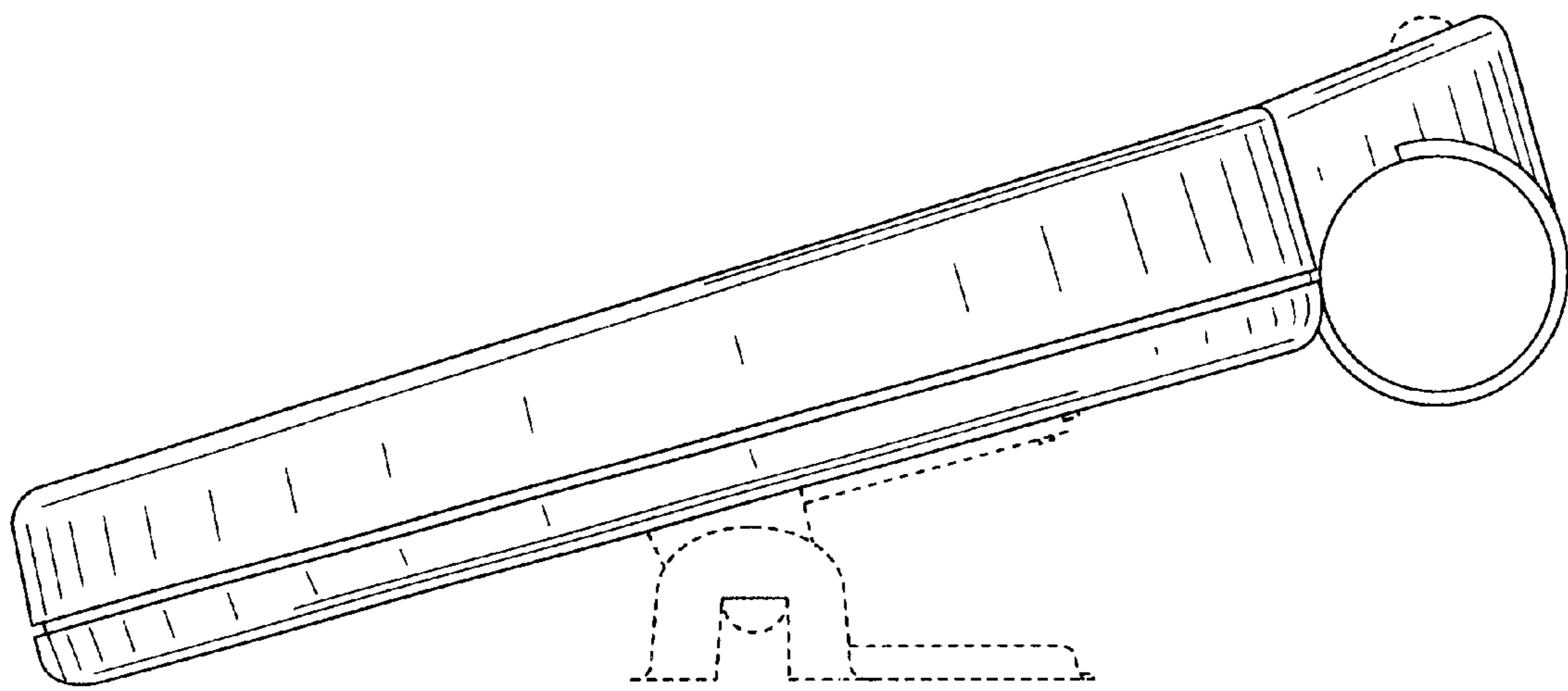


FIG. 5



**FIG. 6**



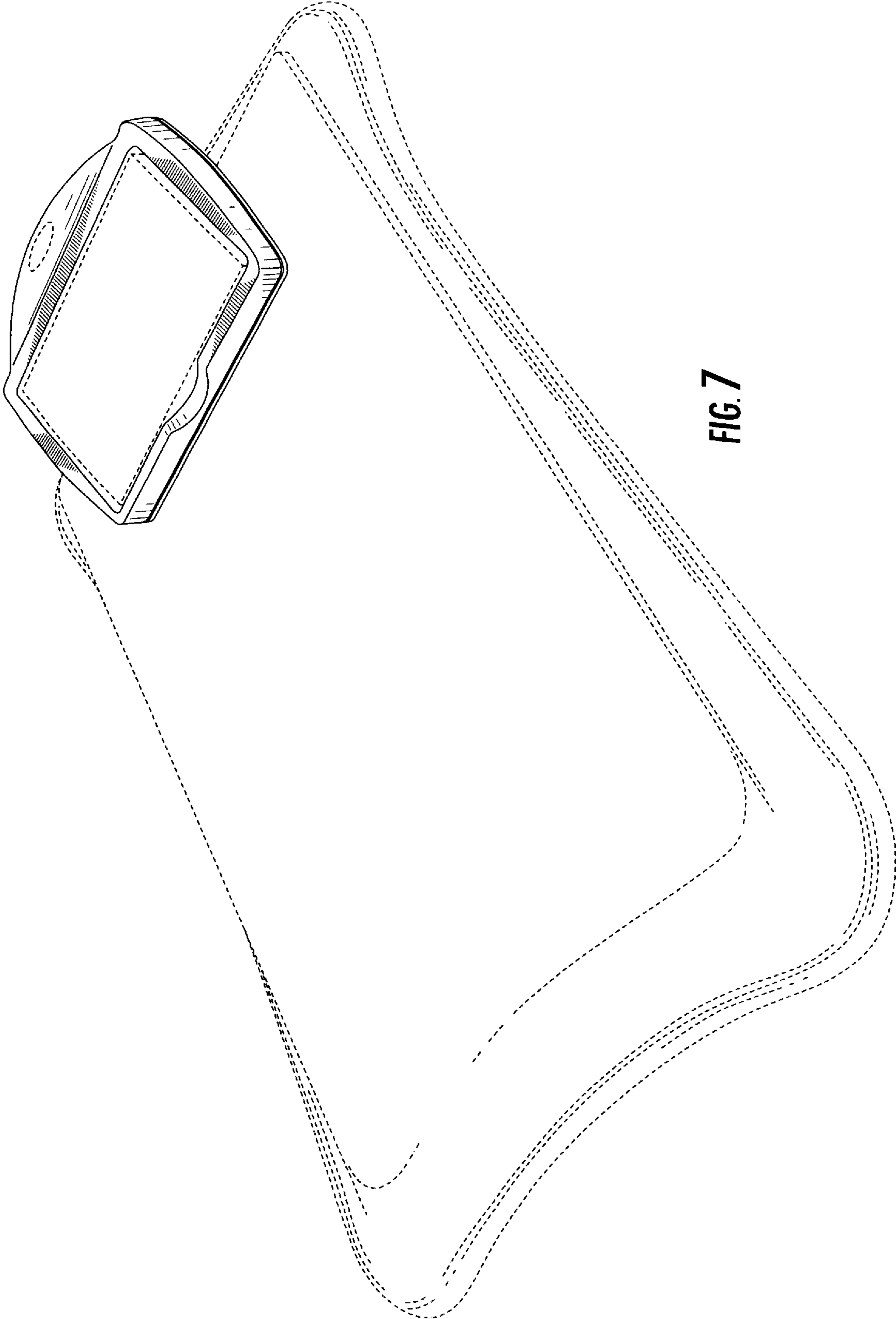


FIG. 7