

US00D500079S

(12) **United States Design Patent** (10) **Patent No.:** **US D500,079 S**
Yokota et al. (45) **Date of Patent:** **** Dec. 21, 2004**

(54) **FOLDER WITH DOUBLE-SIDE-POCKETS**

(75) Inventors: **Hideto Yokota**, Tokyo (JP); **Takahiro Matumoto**, Tokyo (JP); **Tomohiro Yatabe**, Tokyo (JP)

(73) Assignee: **King Jim Co., Ltd.**, Tokyo (JP)

(**) Term: **14 Years**

(21) Appl. No.: **29/189,463**

(22) Filed: **Sep. 4, 2003**

(30) **Foreign Application Priority Data**

Jun. 18, 2003 (JP) 2003-017232

(51) **LOC (7) Cl.** **19-04**

(52) **U.S. Cl.** **D19/32**

(58) **Field of Search** D19/26, 27, 28, D19/29, 30, 31, 32, 33; 40/124.01, 124.06, 124.09, 530, 536, 537, 701, 709; 206/232, 472, 473; 281/3.1, 15.1, 19.1, 21.1, 29, 30, 31, 34, 35, 38, 40, 41, 51; 283/61; 402/70, 73

(56) **References Cited**

U.S. PATENT DOCUMENTS

1,906,311	A *	5/1933	Burgstaller	281/38
3,866,648	A *	2/1975	Anderson	40/704
3,933,294	A *	1/1976	Meenan et al.	229/67.3
4,214,388	A *	7/1980	Dickey	40/701
4,371,195	A *	2/1983	Wang et al.	281/21.1
4,596,408	A *	6/1986	Carter et al.	281/36
4,630,843	A *	12/1986	Willat	28/30
4,718,550	A *	1/1988	Johnson	206/387.13
5,052,717	A *	10/1991	Ninomiya et al.	281/21.1
5,437,476	A *	8/1995	Hutchinson	281/15.1
5,618,061	A *	4/1997	Ritterling	281/15.1
5,752,589	A *	5/1998	Berg	190/109
5,752,721	A *	5/1998	Balbas	281/19.1
D426,262	S *	6/2000	Humphrey	D19/26
6,196,750	B1 *	3/2001	Hansen	402/79
2002/0171237	A1 *	11/2002	Wu	281/29

* cited by examiner

Primary Examiner—Joel Sincavage

Assistant Examiner—Elizabeth Albert

(74) *Attorney, Agent, or Firm*—Frishauf, Holtz, Goodman & Chick, P.C.

(57) **CLAIM**

The ornamental design for a folder with double-side-pockets, as shown and described.

DESCRIPTION

FIG. 1 is a front view of a folder with double-side-pockets, the portions bounded by the single-dot chain lines denoting the claimed portion of our new design;

FIG. 2 is a rear view thereof;

FIG. 3 is a top plan view thereof;

FIG. 4 is a bottom plan view thereof;

FIG. 5 is a right side view thereof, the left side view being identical;

FIG. 6 is an enlarged fragmentary front view of the portion shown within the rectangular area identified as 6 in FIG. 1;

FIG. 7 is an enlarged fragmentary top view of a portion thereof, shown within the rectangular area identified as 7 in FIG. 3;

FIG. 8 is an enlarged sectional view taken along line 8—8 in FIG. 6;

FIG. 9 is a perspective view thereof, showing the double-side-pockets in a closed state;

FIG. 10 is a perspective view thereof, showing the double-side-pockets in an opened state;

FIG. 11 is a perspective view thereof in a closed state, as viewed from the front; and,

FIG. 12 is a perspective view thereof in the closed state, as viewed from the rear.

The partial design of the present invention is the portion enclosed by the single-dot chain line shown in FIGS. 1, 2, 6, 9, 10, 11 and 12.

The portions shown by dashed lines are shown for illustrative purposes only, and do not form part of the claimed design.

1 Claim, 5 Drawing Sheets

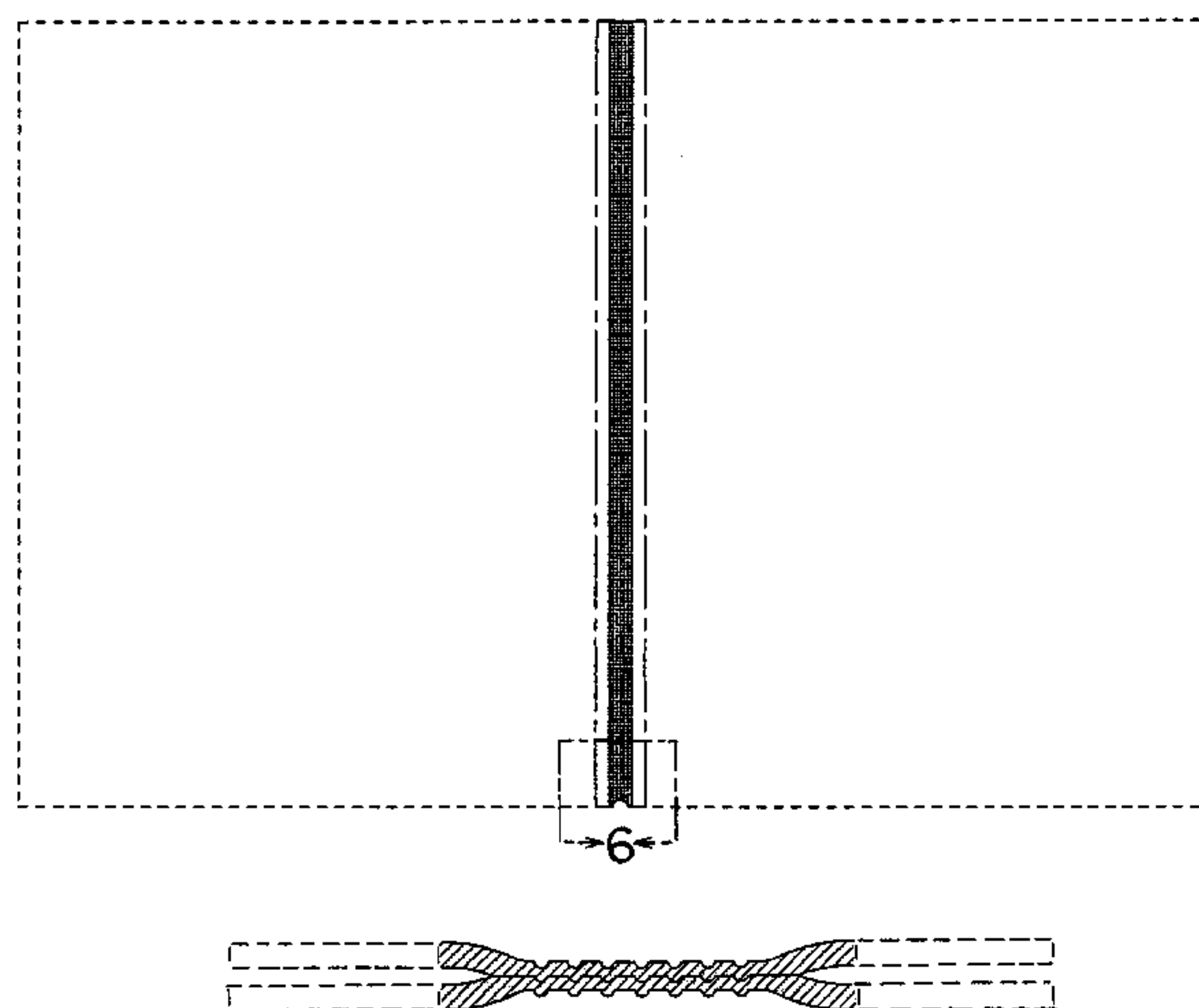


FIG. 1

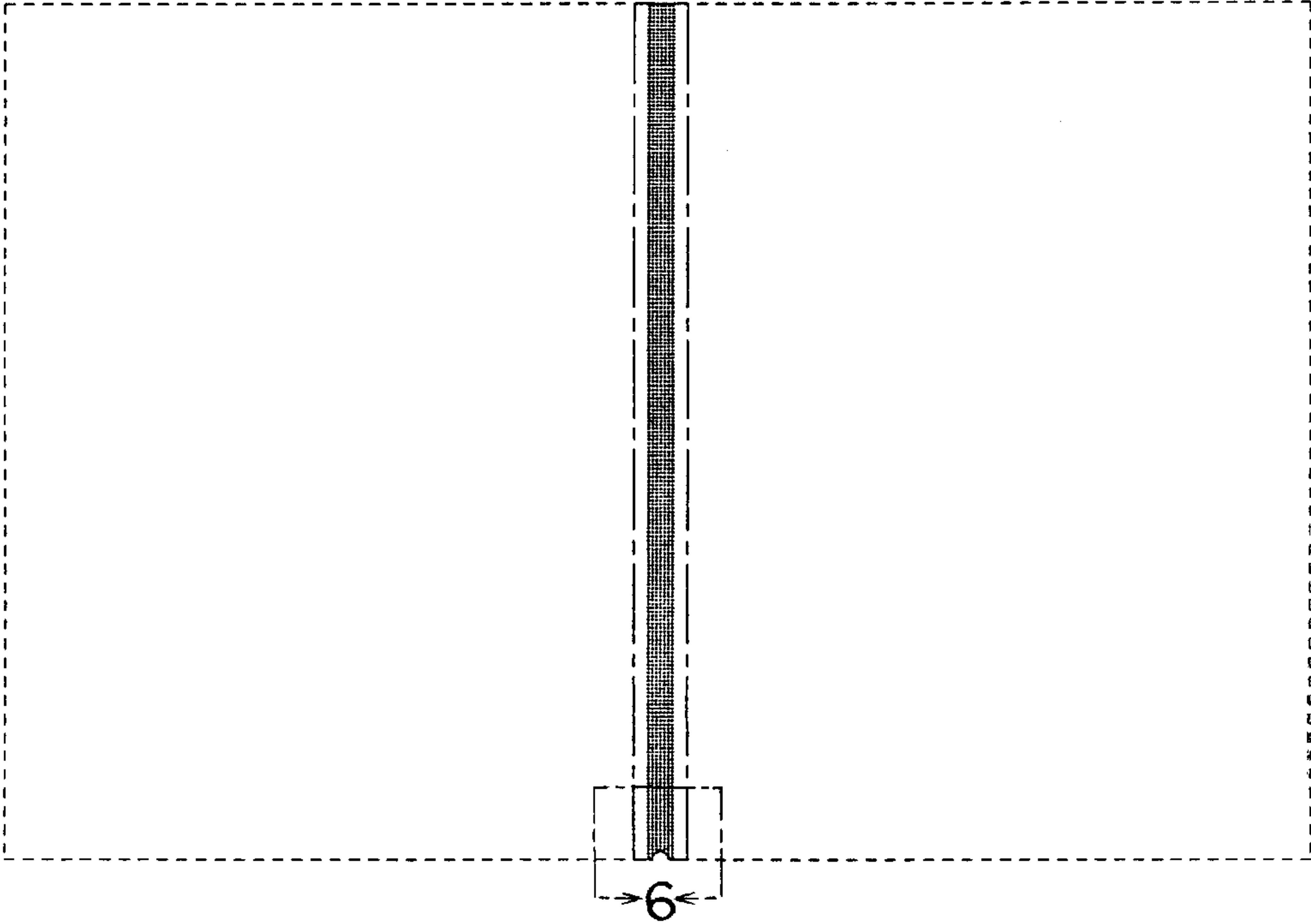


FIG. 2

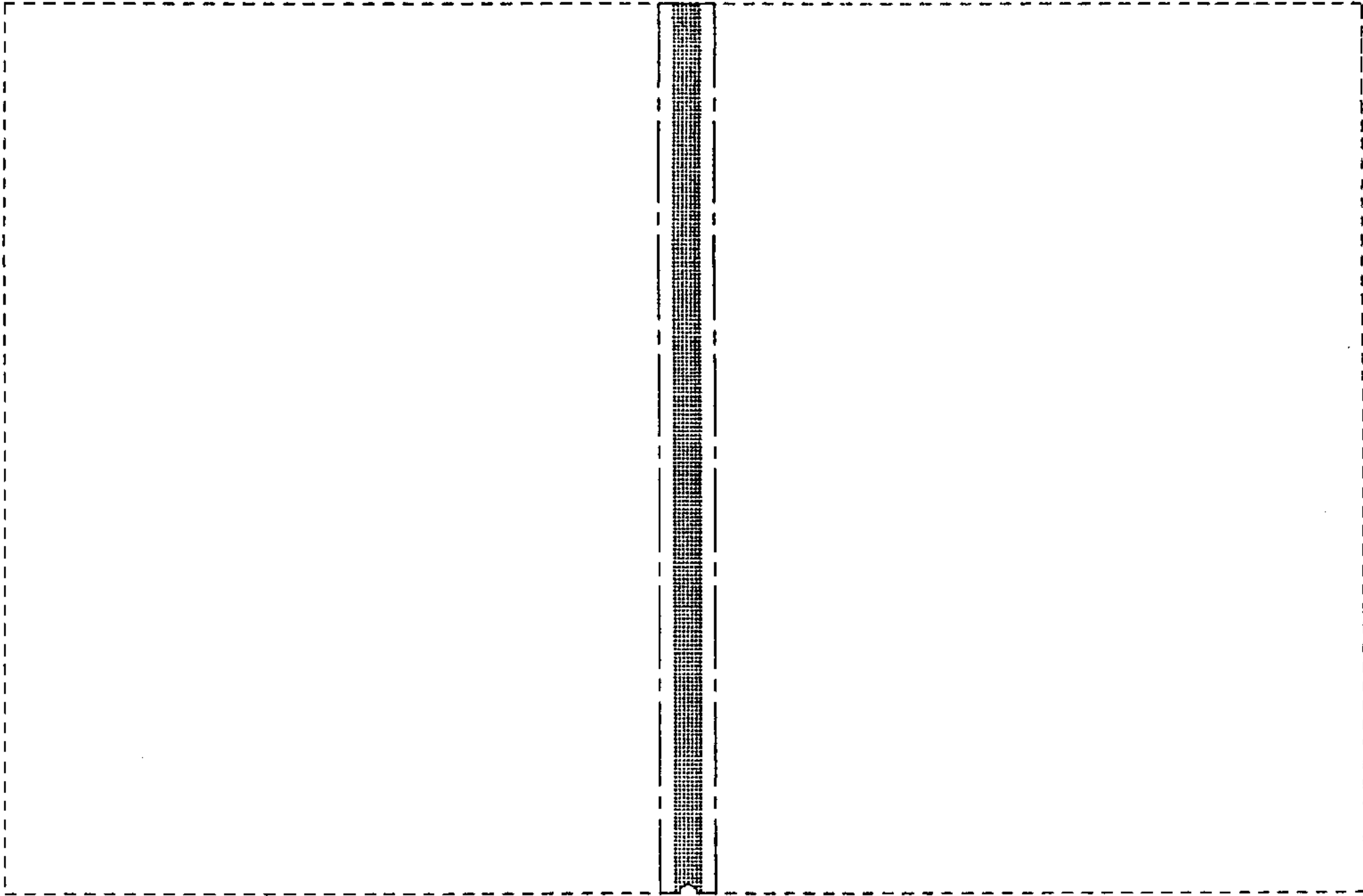


FIG. 3

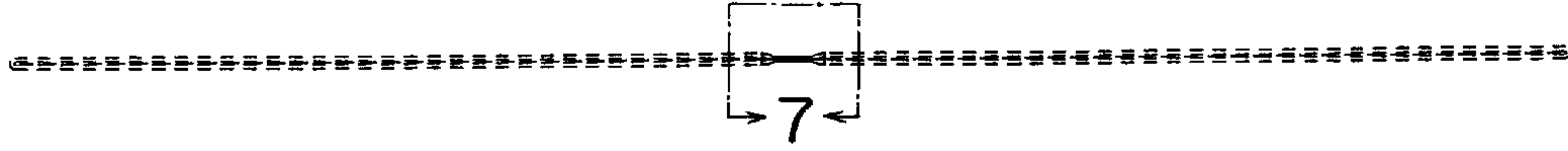


FIG. 4



FIG. 5

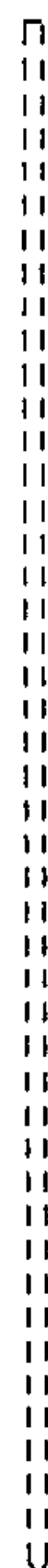


FIG. 6

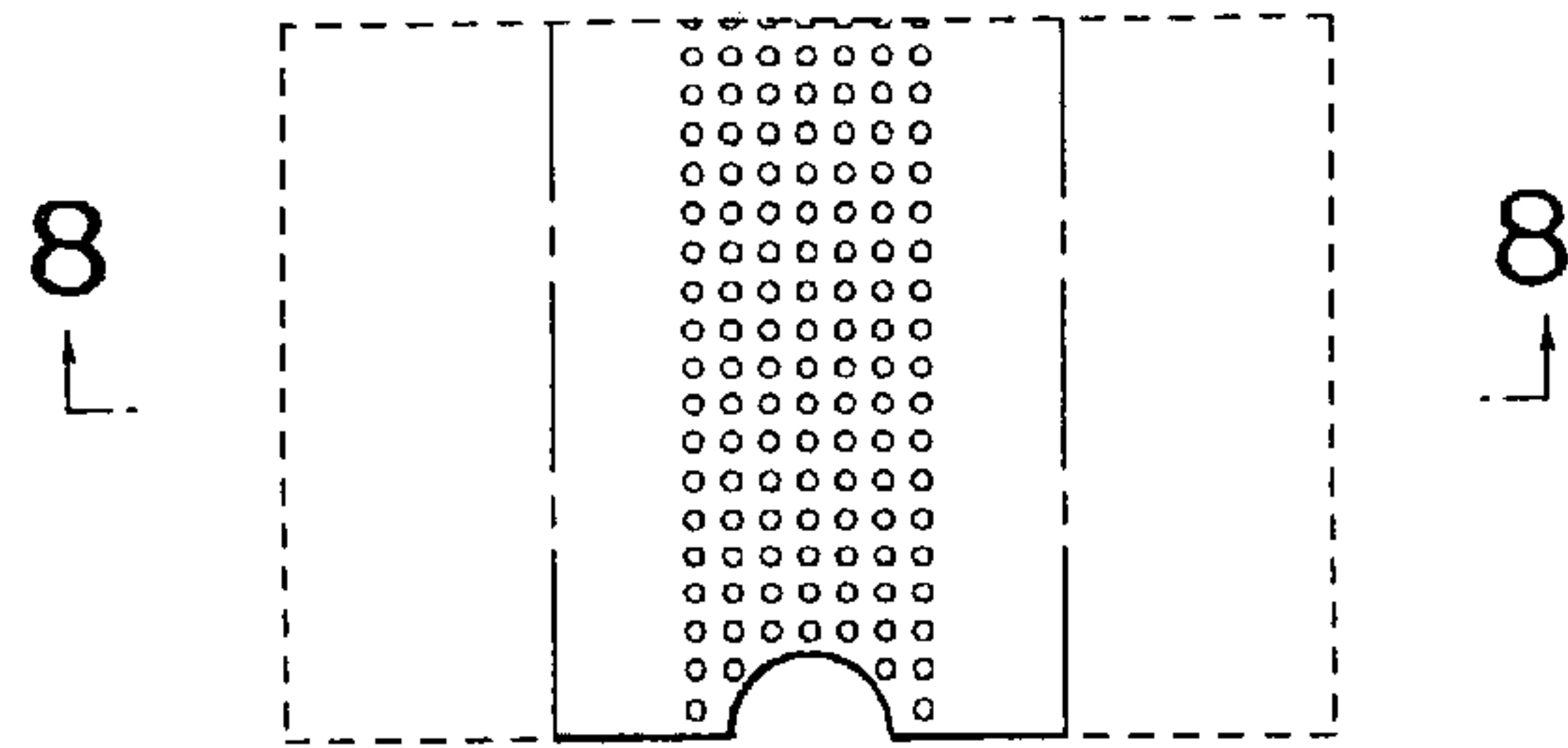


FIG. 7

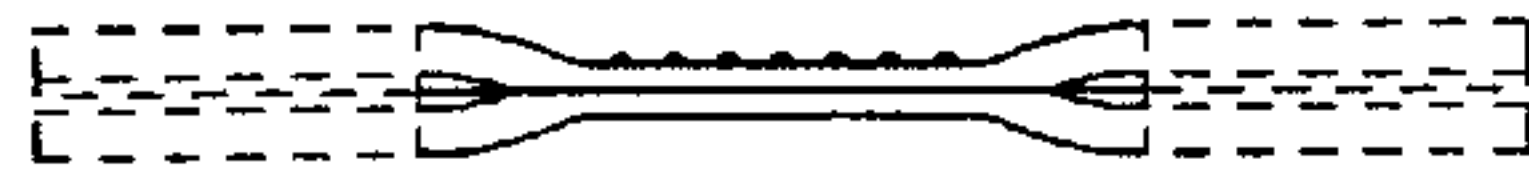


FIG. 8



FIG. 9

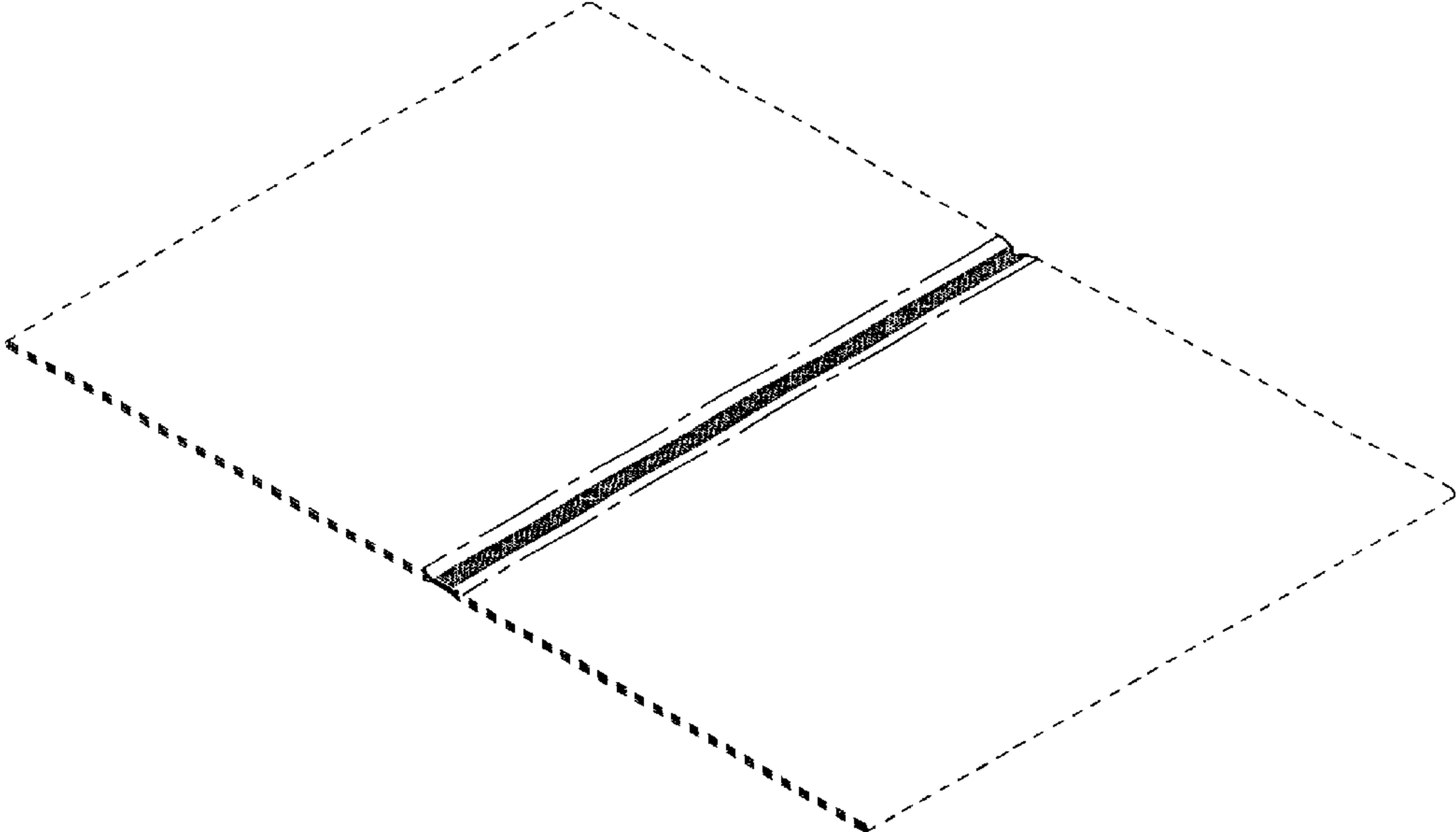


FIG. 10

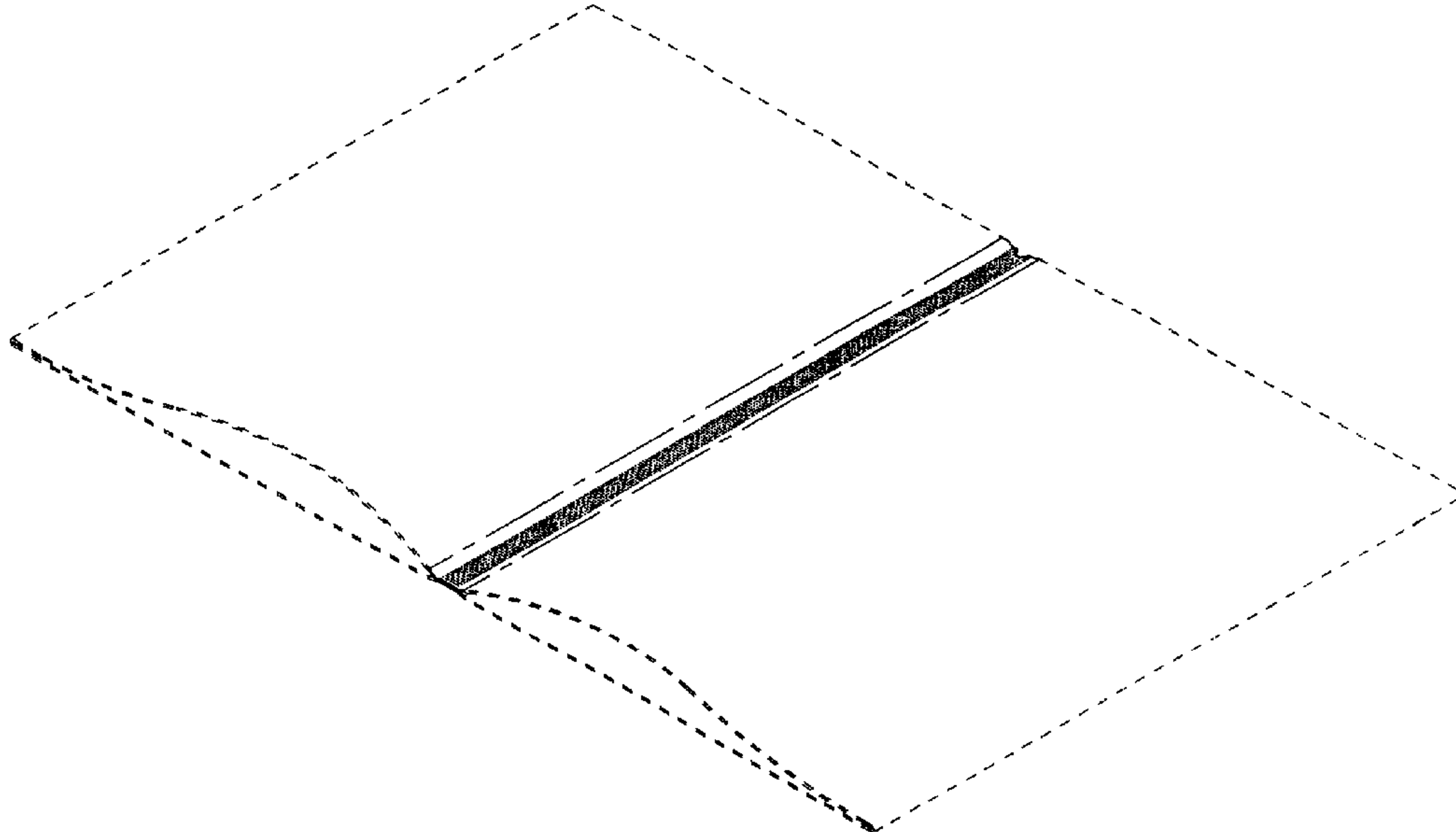


FIG. 11

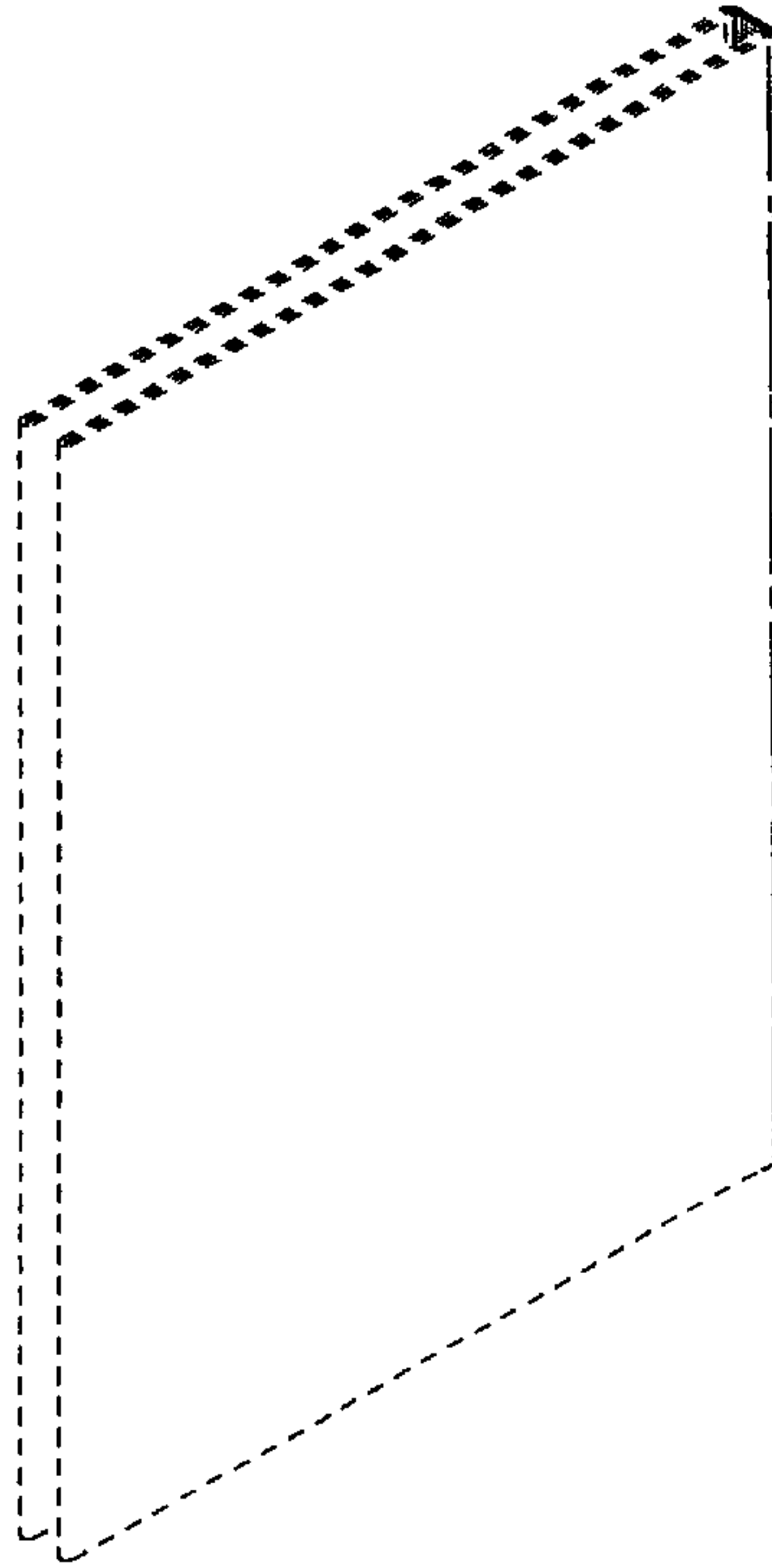


FIG. 12

