

US00D500076S

(12) **United States Design Patent**  
**Takuwa**

(10) **Patent No.:** **US D500,076 S**

(45) **Date of Patent:** **\*\* Dec. 21, 2004**

(54) **TONER STORAGE CONTAINER**

(75) **Inventor:** **Noriyuki Takuwa, Kawasaki (JP)**

(73) **Assignee:** **Toshiba Tec Kabushiki Kaisha, Tokyo (JP)**

(\*\*) **Term:** **14 Years**

(21) **Appl. No.:** **29/196,311**

(22) **Filed:** **Dec. 29, 2003**

(30) **Foreign Application Priority Data**

Jun. 27, 2003 (JP) ..... 2003-018430

(51) **LOC (7) Cl.** ..... **16-03**

(52) **U.S. Cl.** ..... **D18/43**

(58) **Field of Search** ..... D18/12, 40, 43,  
D18/56; D14/471, 481, 483; 222/DIG. 1;  
399/24-31, 110-125, 252-262; 400/207,  
208; D9/500, 520; 209/447

(56) **References Cited**

**U.S. PATENT DOCUMENTS**

D430,197 S \* 8/2000 Wang et al. .... D18/43  
6,188,859 B1 2/2001 Wang et al.  
D442,623 S \* 5/2001 Yoshizawa ..... D18/43  
D442,986 S \* 5/2001 Tsuji et al. .... D18/43  
6,256,470 B1 \* 7/2001 Taniyama et al. .... 399/262  
6,259,877 B1 \* 7/2001 Taniyama et al. .... 399/262  
D447,167 S 8/2001 Taniyama  
D458,301 S \* 6/2002 Wang et al. .... D18/43

D458,960 S \* 6/2002 Wang et al. .... D18/43  
D458,961 S \* 6/2002 Wang et al. .... D18/43  
D472,572 S 4/2003 Kaiho  
6,671,482 B2 \* 12/2003 DiIanni et al. .... 399/262  
2003/0156861 A1 \* 8/2003 Nagano et al. .... 399/262

**FOREIGN PATENT DOCUMENTS**

JP D1115942 7/2001  
JP D1165199 2/2003  
JP D1197338 2/2004  
JP D1197590 2/2004  
JP D1197591 2/2004

\* cited by examiner

*Primary Examiner*—Caron D. Veynar

(74) *Attorney, Agent, or Firm*—Morrison & Foerster LLP

(57) **CLAIM**

The ornamental design for a toner storage container, as shown.

**DESCRIPTION**

FIG. 1 is a top rear perspective view of a toner storage container showing my new design;  
FIG. 2 is a top front perspective view thereof;  
FIG. 3 is a front elevational view thereof;  
FIG. 4 is a rear elevational view thereof;  
FIG. 5 is a top plan view thereof;  
FIG. 6 is a bottom plan view thereof;  
FIG. 7 is a left elevational view thereof; and,  
FIG. 8 is a right elevational view thereof.

**1 Claim, 4 Drawing Sheets**

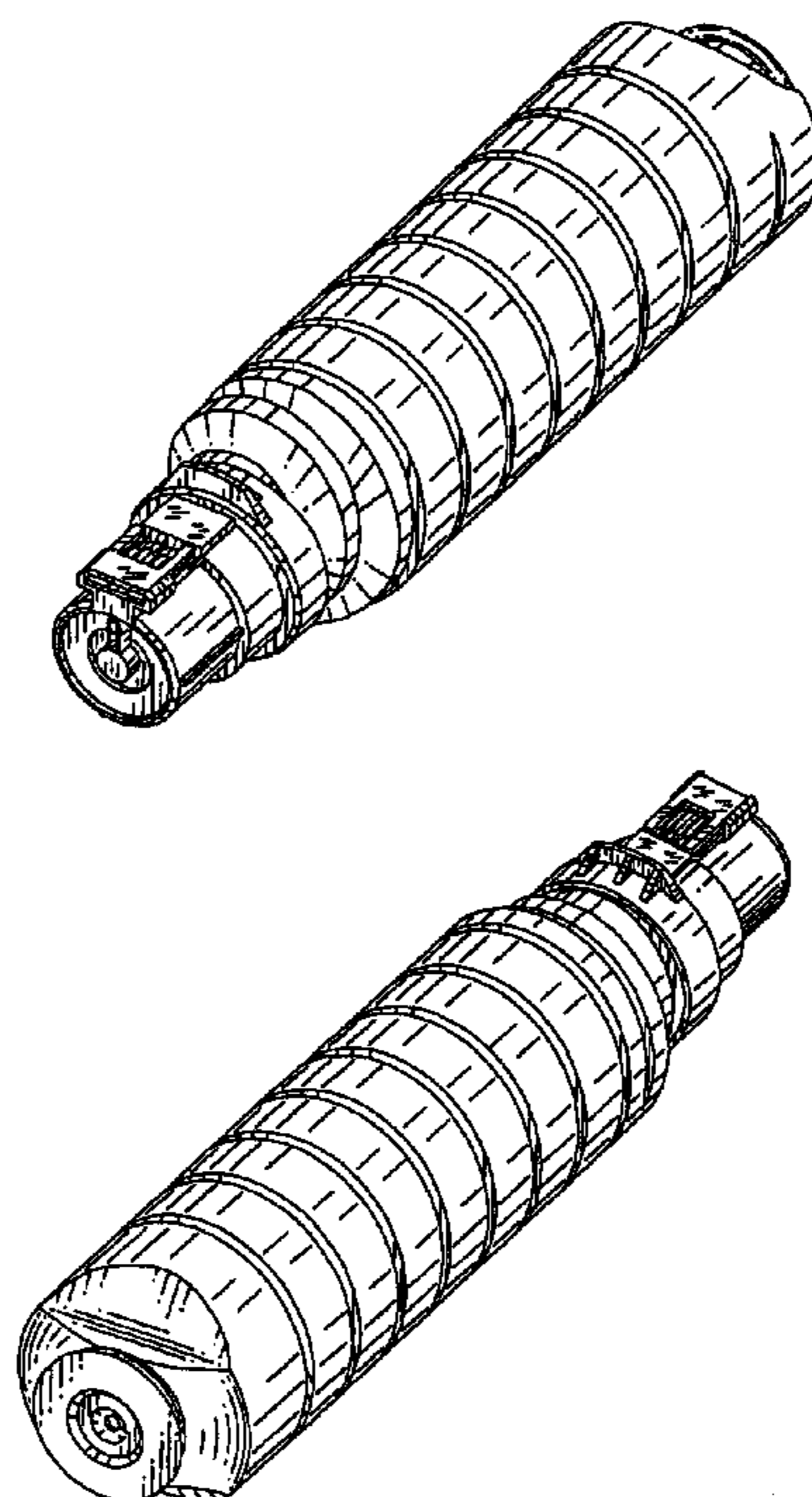


FIG. 1

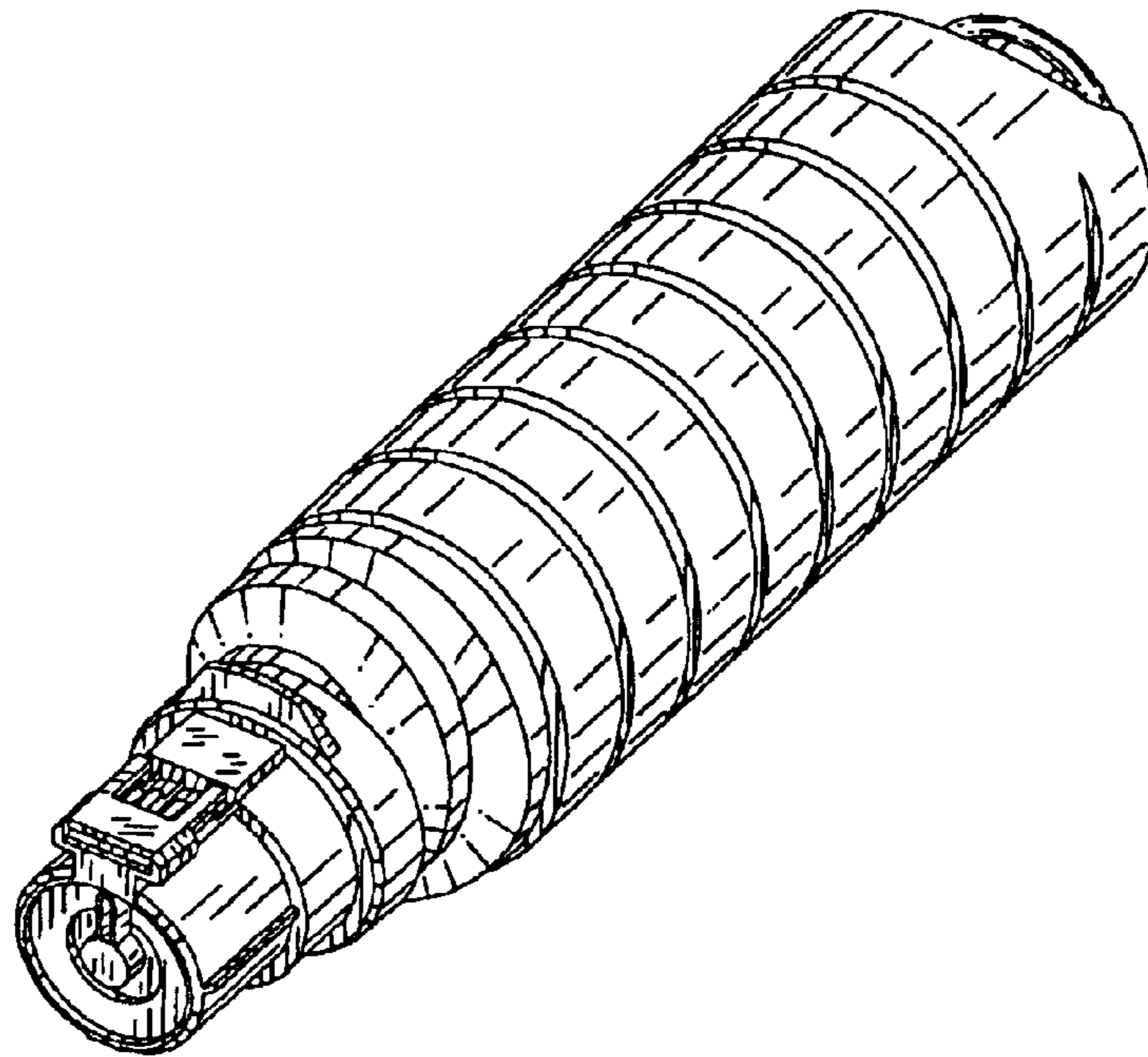


FIG. 2

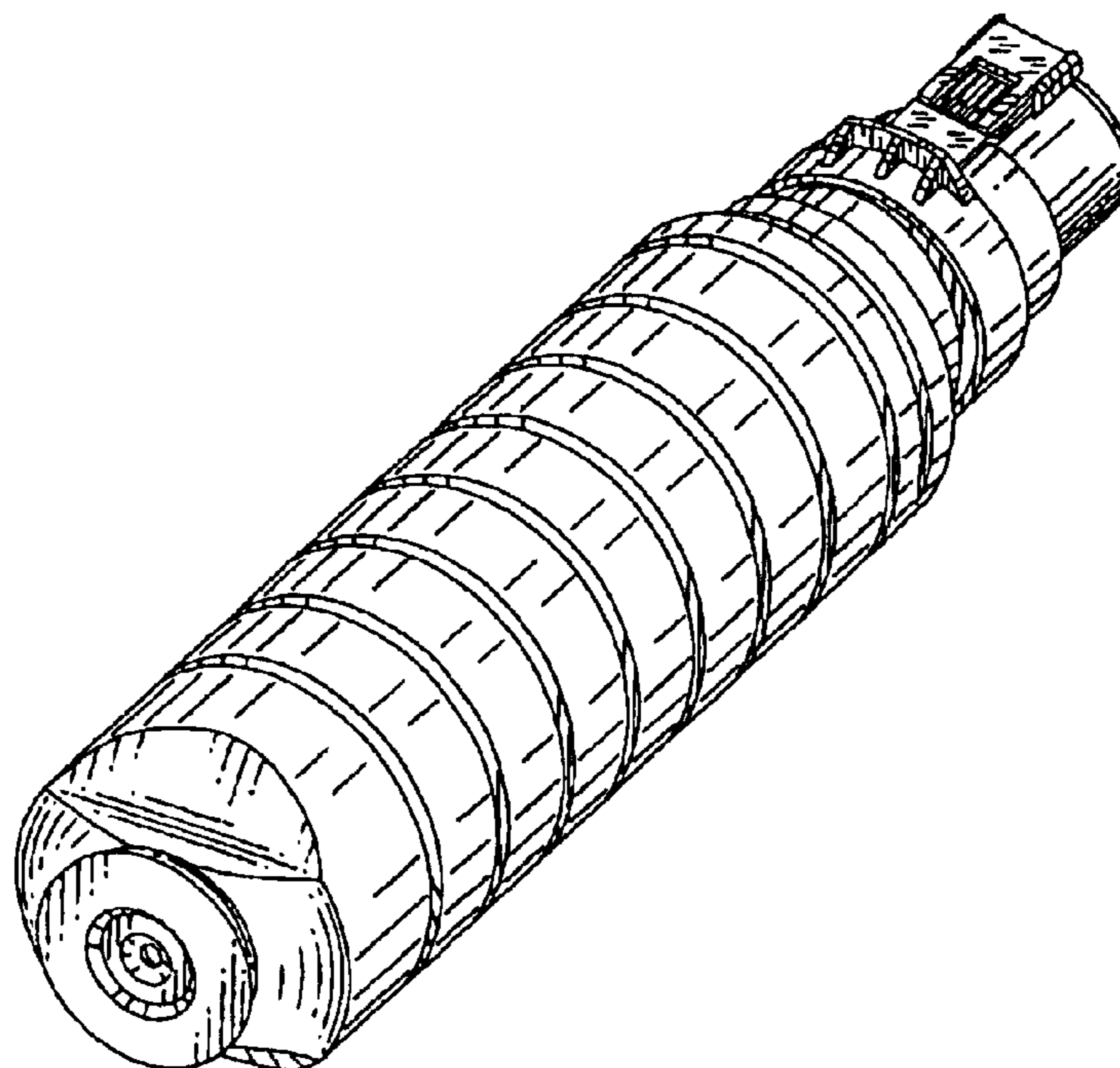


FIG. 3

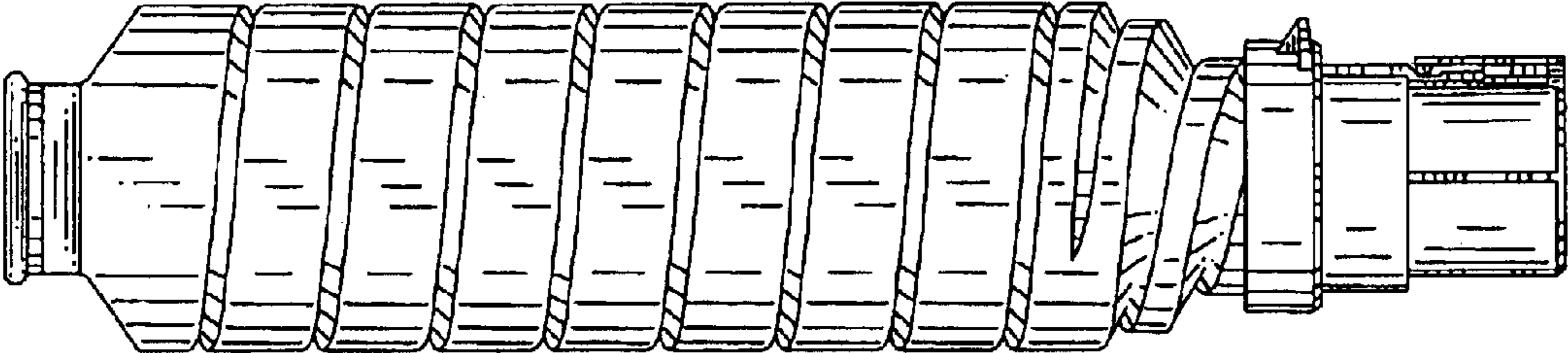


FIG. 4

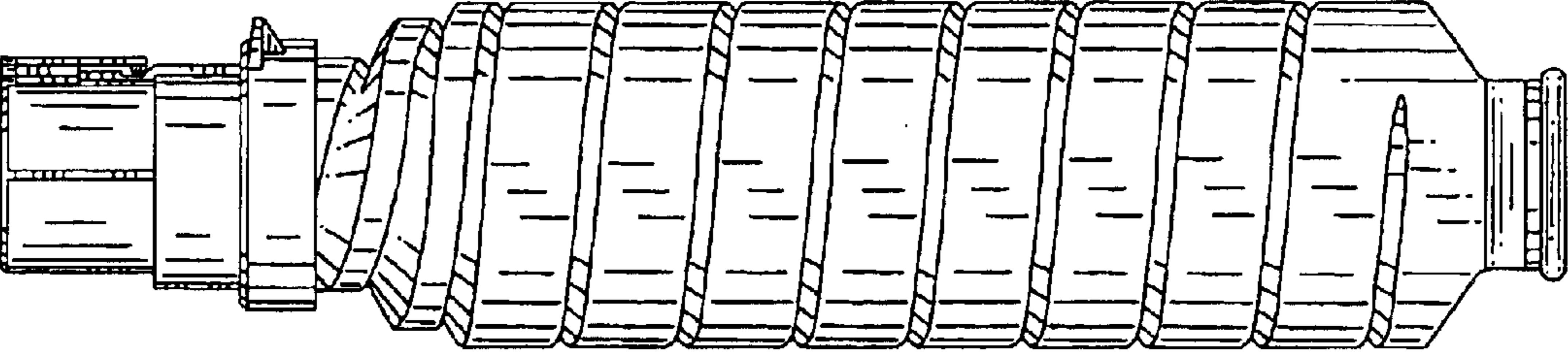


FIG. 5

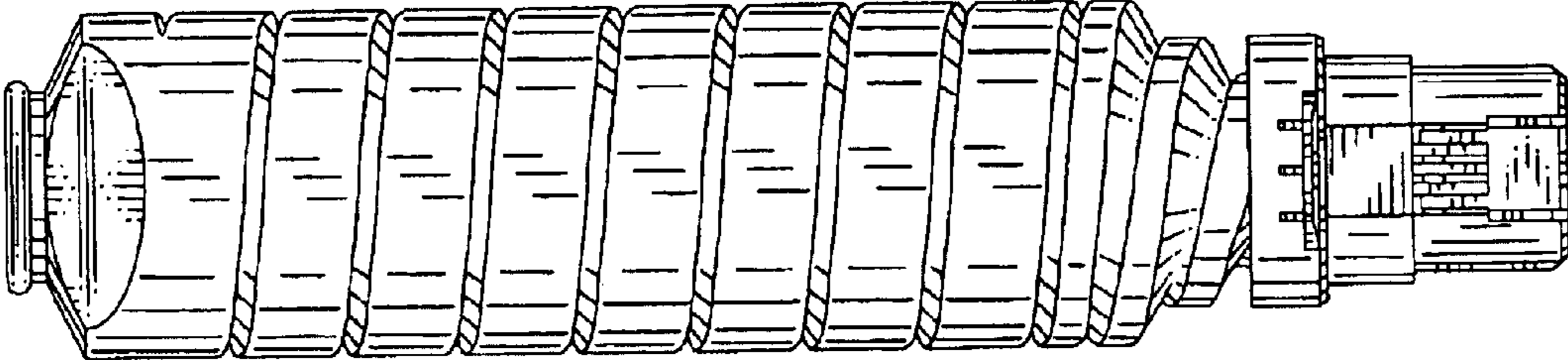


FIG. 6

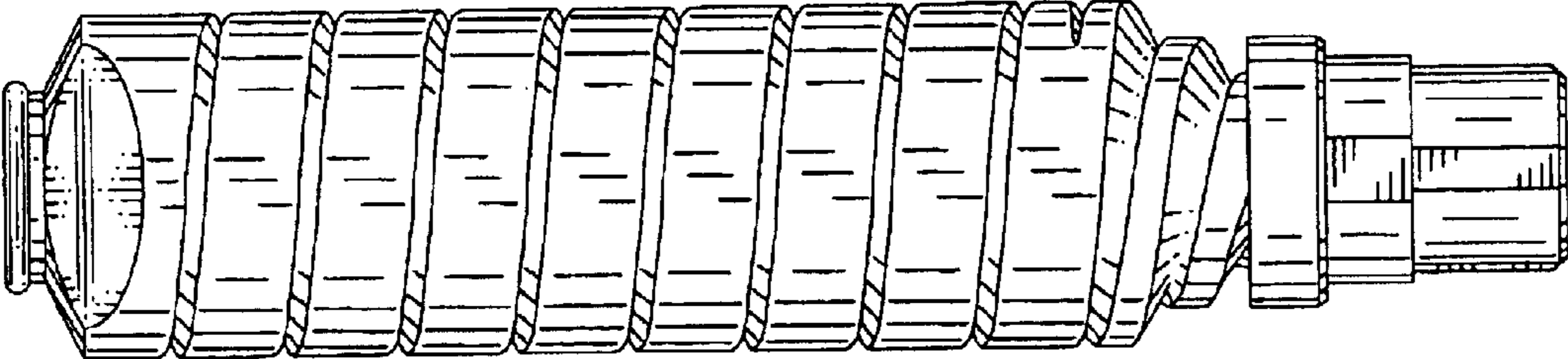


FIG. 7

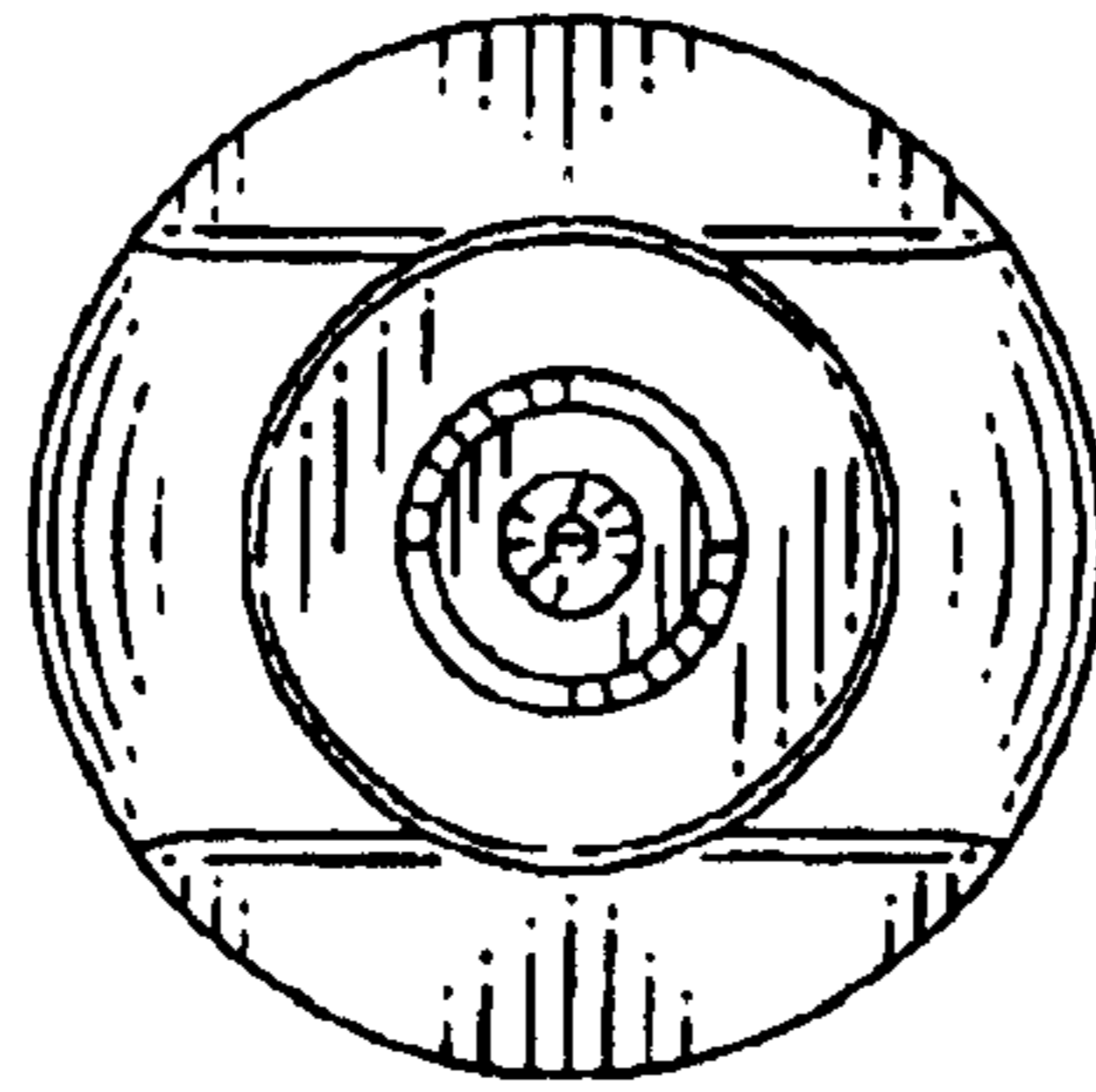


FIG. 8

