



US00D500075S

(12) **United States Design Patent** (10) **Patent No.:** **US D500,075 S**  
**Okamoto et al.** (45) **Date of Patent:** **\*\* Dec. 21, 2004**

(54) **TONER CARTRIDGE**

(75) Inventors: **Katsumi Okamoto**, Suwa (JP);  
**Takehiko Okamura**, Suwa (JP)

(73) Assignee: **Seiko Epson Corporation**, Tokyo (JP)

(\*\*) Term: **14 Years**

(21) Appl. No.: **29/192,349**

(22) Filed: **Oct. 23, 2003**

(30) **Foreign Application Priority Data**

Apr. 25, 2003 (JP) ..... 2003-011930

(51) **LOC (7) Cl.** ..... **16-03**

(52) **U.S. Cl.** ..... **D18/43**

(58) **Field of Search** ..... D18/12, 40, 43,  
D18/56; D14/471, 481, 483; 222/DIG. 1;  
399/24-31, 110-125, 252-262; 400/207,  
208; D9/500, 520; 209/447

(56) **References Cited**

**U.S. PATENT DOCUMENTS**

D477,631 S \* 7/2003 Mori et al. .... D18/40  
D490,843 S \* 6/2004 Minagawa et al. .... D18/43

\* cited by examiner

*Primary Examiner*—Caron D. Veynar  
(74) *Attorney, Agent, or Firm*—Stroock & Stroock & Lavan  
LLP

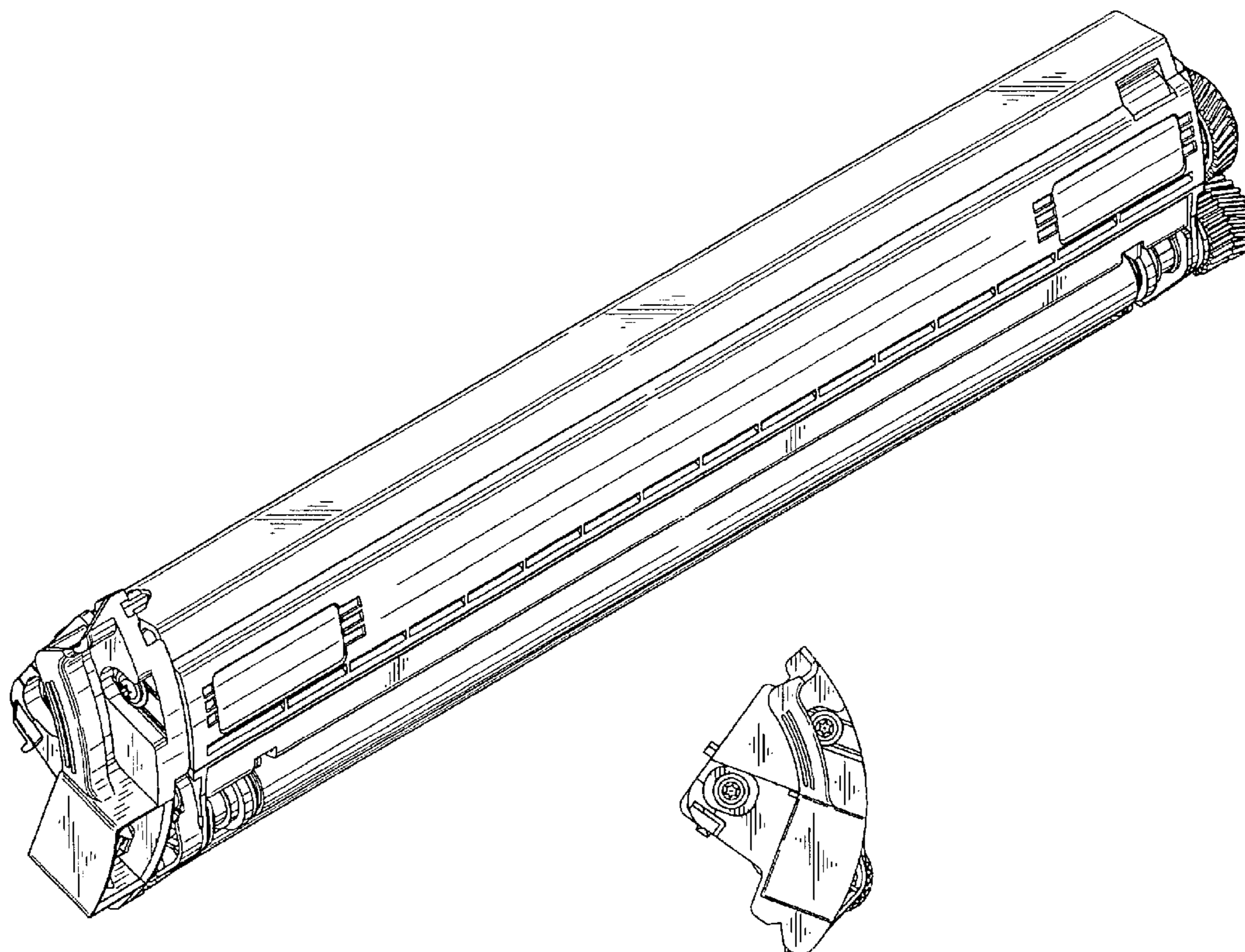
(57) **CLAIM**

The ornamental design for a toner cartridge, as shown and described.

**DESCRIPTION**

FIG. 1 is a perspective view of the top, front and left side of a toner cartridge showing our new design;  
FIG. 2 is a perspective view of the bottom rear and right side thereof;  
FIG. 3 is a front view thereof;  
FIG. 4 is a rear view thereof;  
FIG. 5 is a top plan view thereof;  
FIG. 6 is a bottom view thereof;  
FIG. 7 is a right side view thereof;  
FIG. 8 is a left side view thereof;  
FIG. 9 is an enlarged right side view thereof;  
FIG. 10 is an enlarged left side view thereof; and,  
FIG. 11 is a perspective reference view thereof in the condition of the cover being attached.  
The broken lines shown on FIG. 11 are for illustrative purposes only and form no part of the claimed design.

**1 Claim, 7 Drawing Sheets**



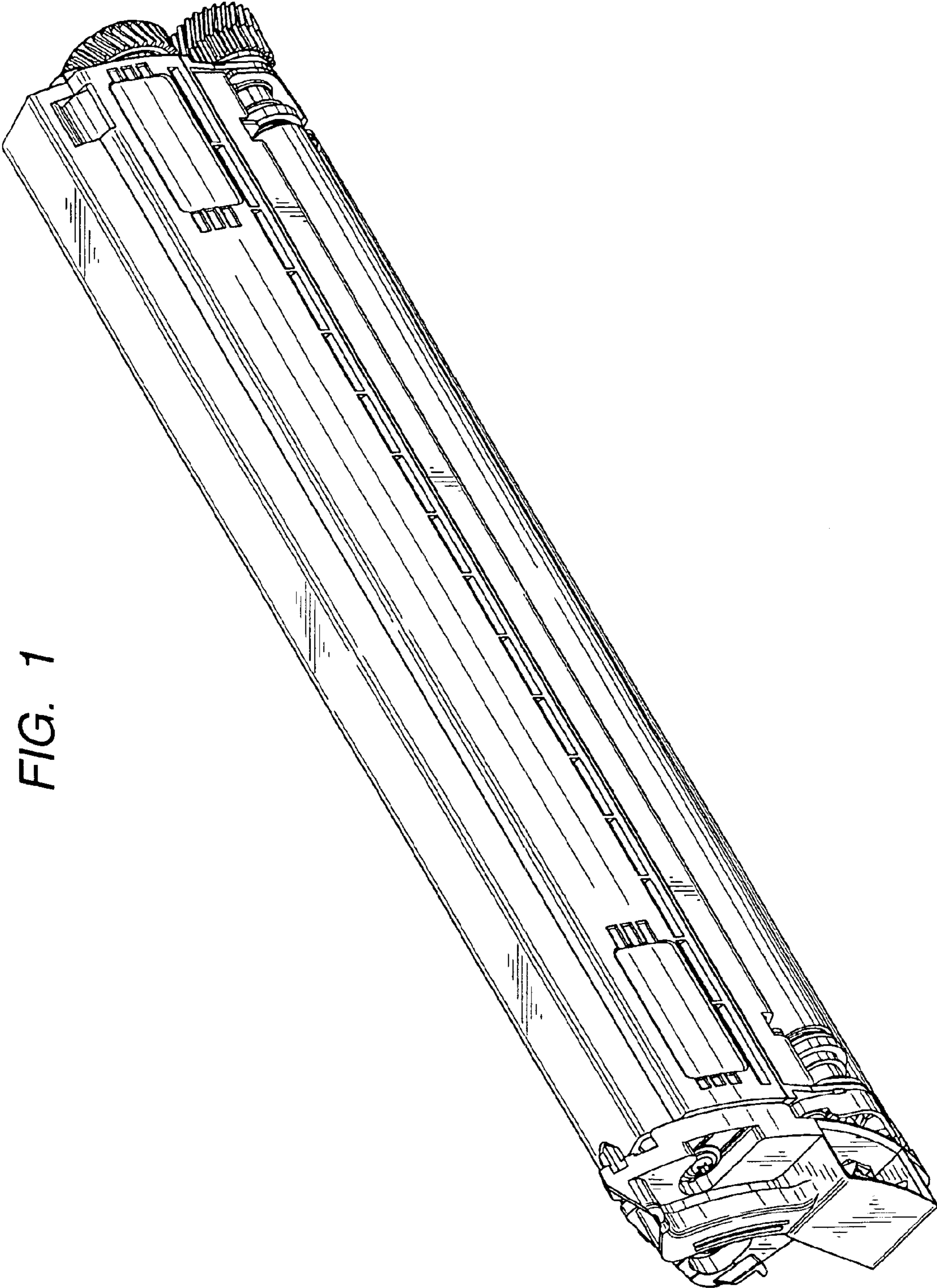


FIG. 1

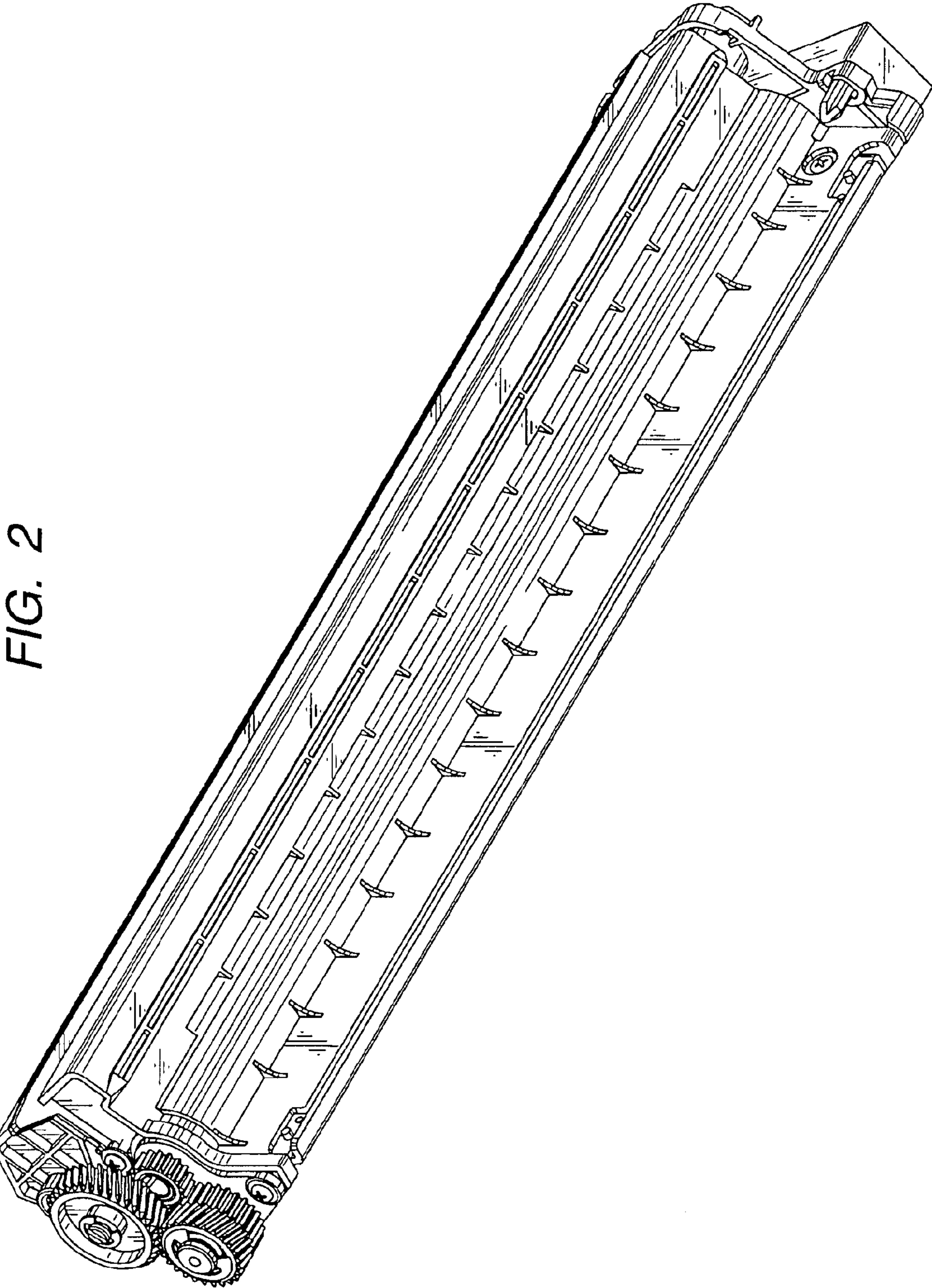


FIG. 2

FIG. 3

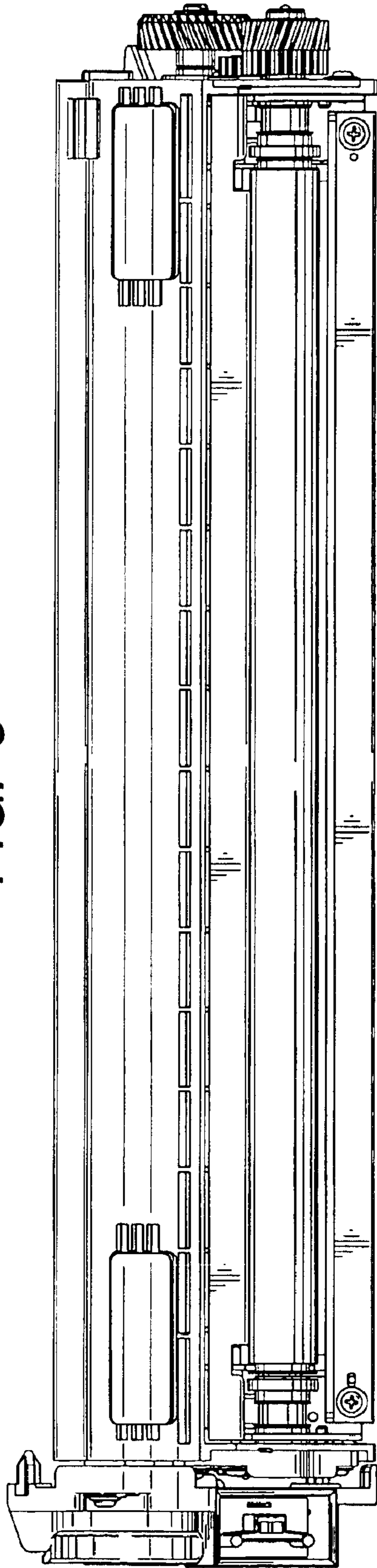


FIG. 4

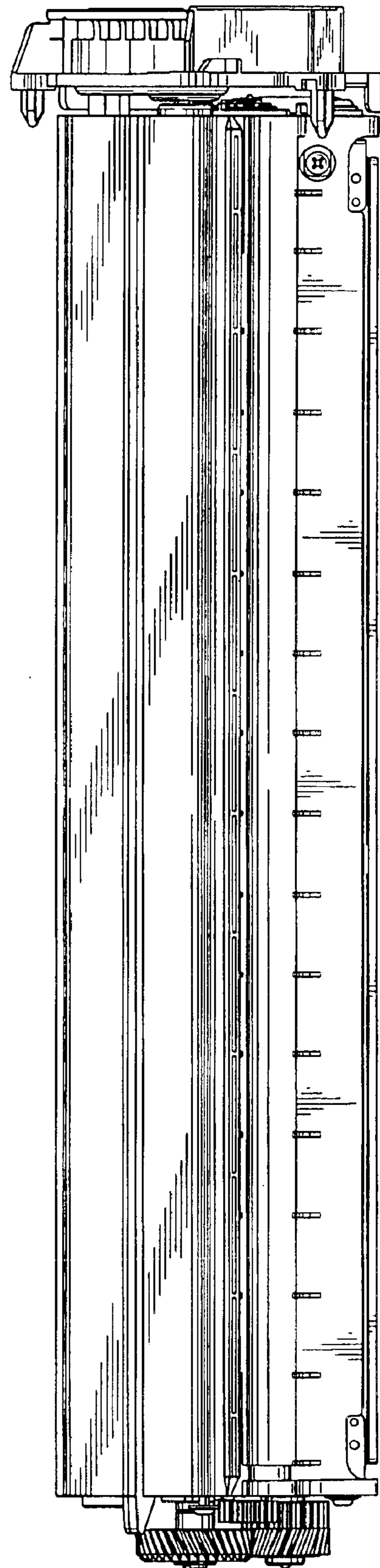


FIG. 5

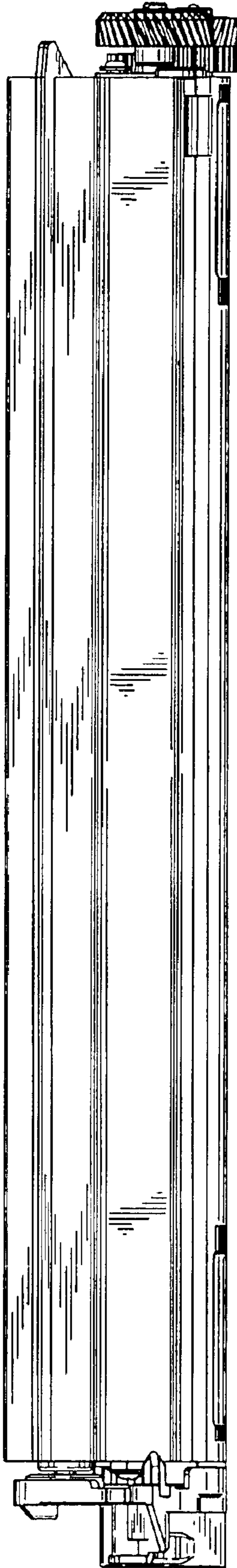
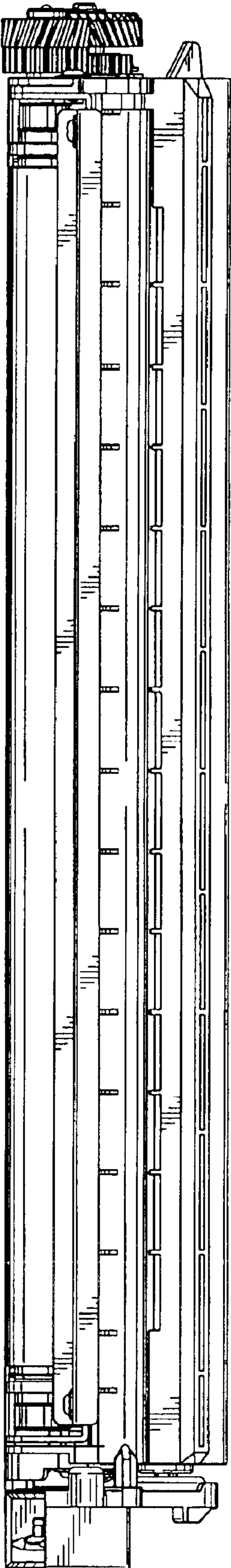
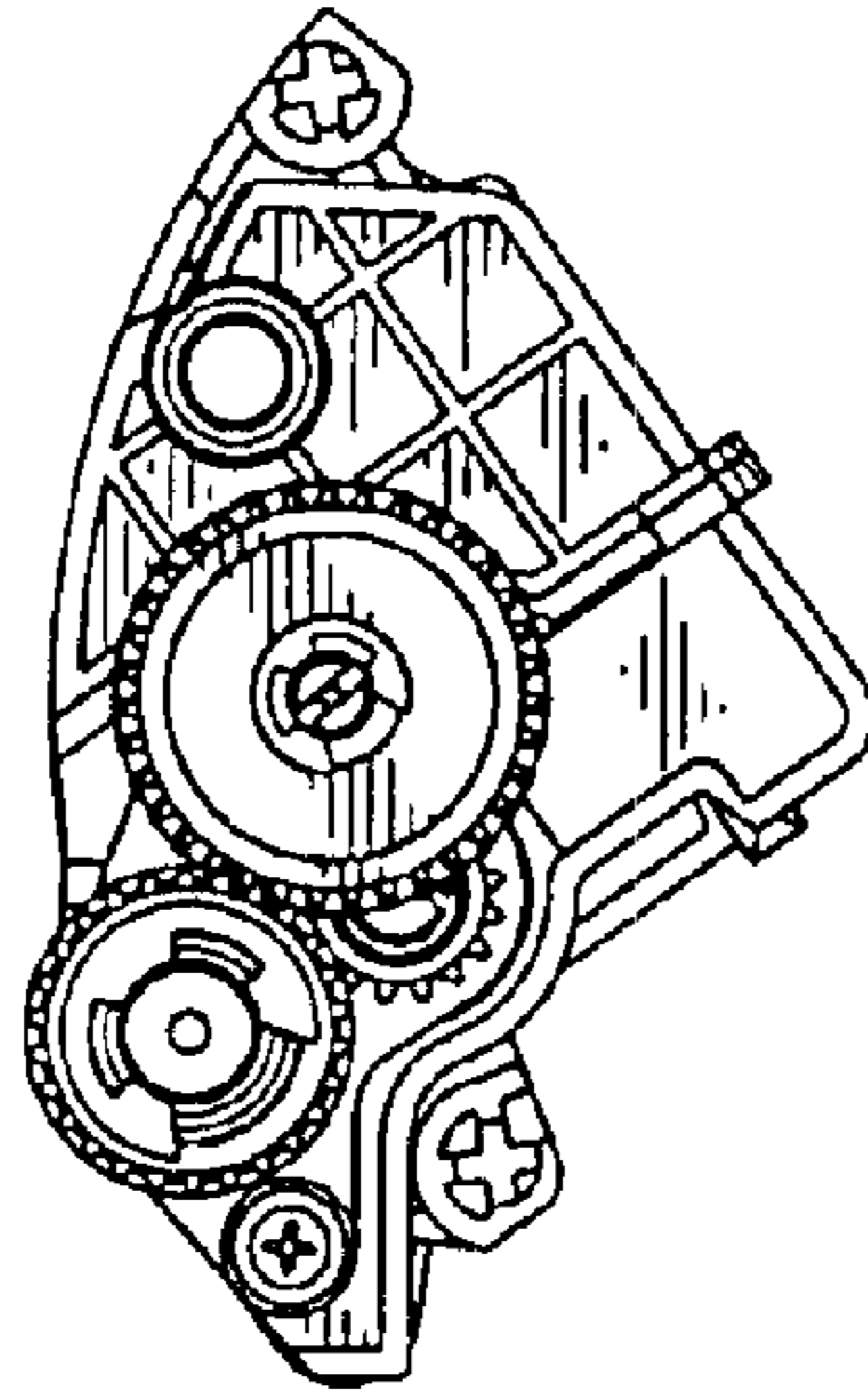


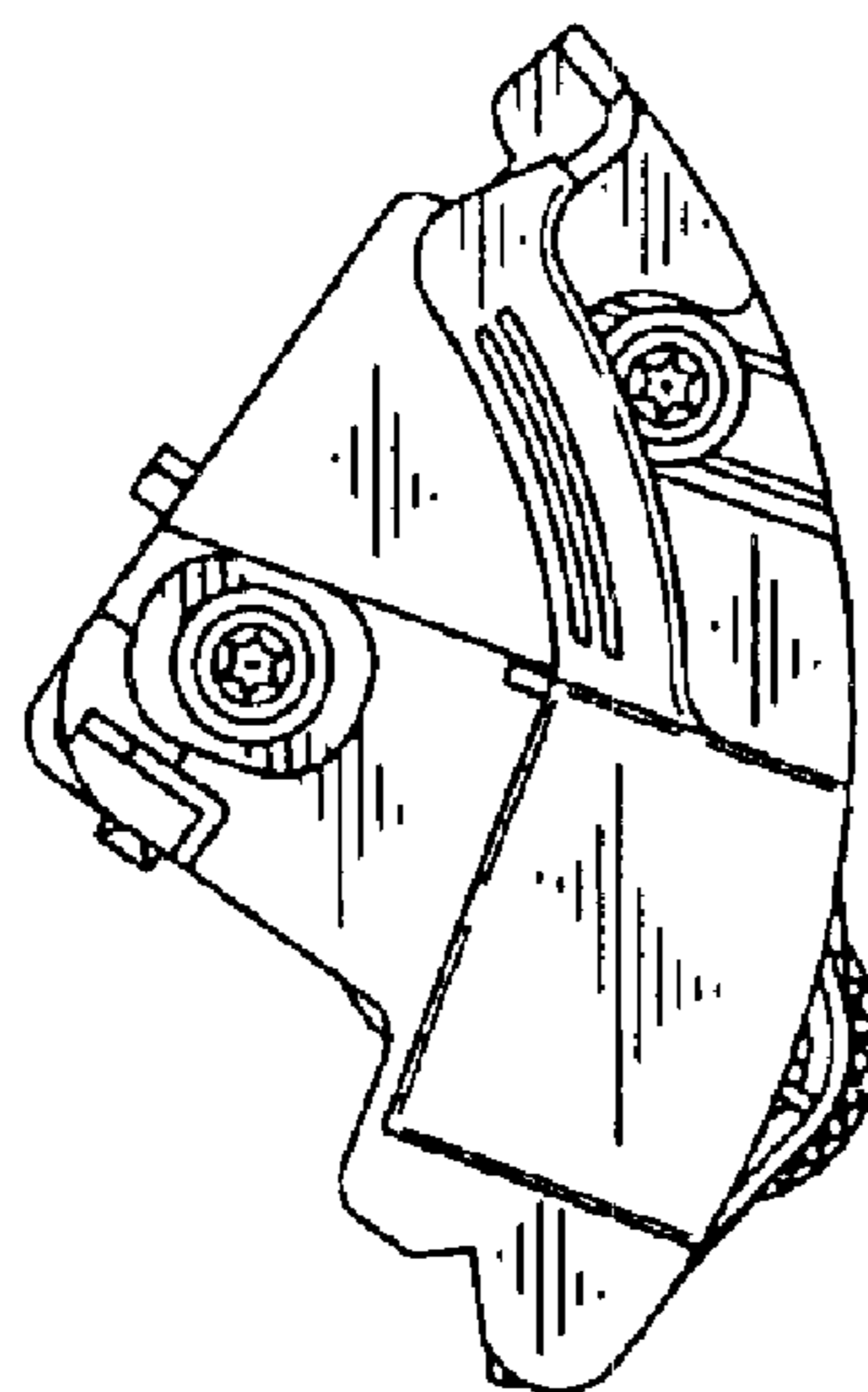
FIG. 6



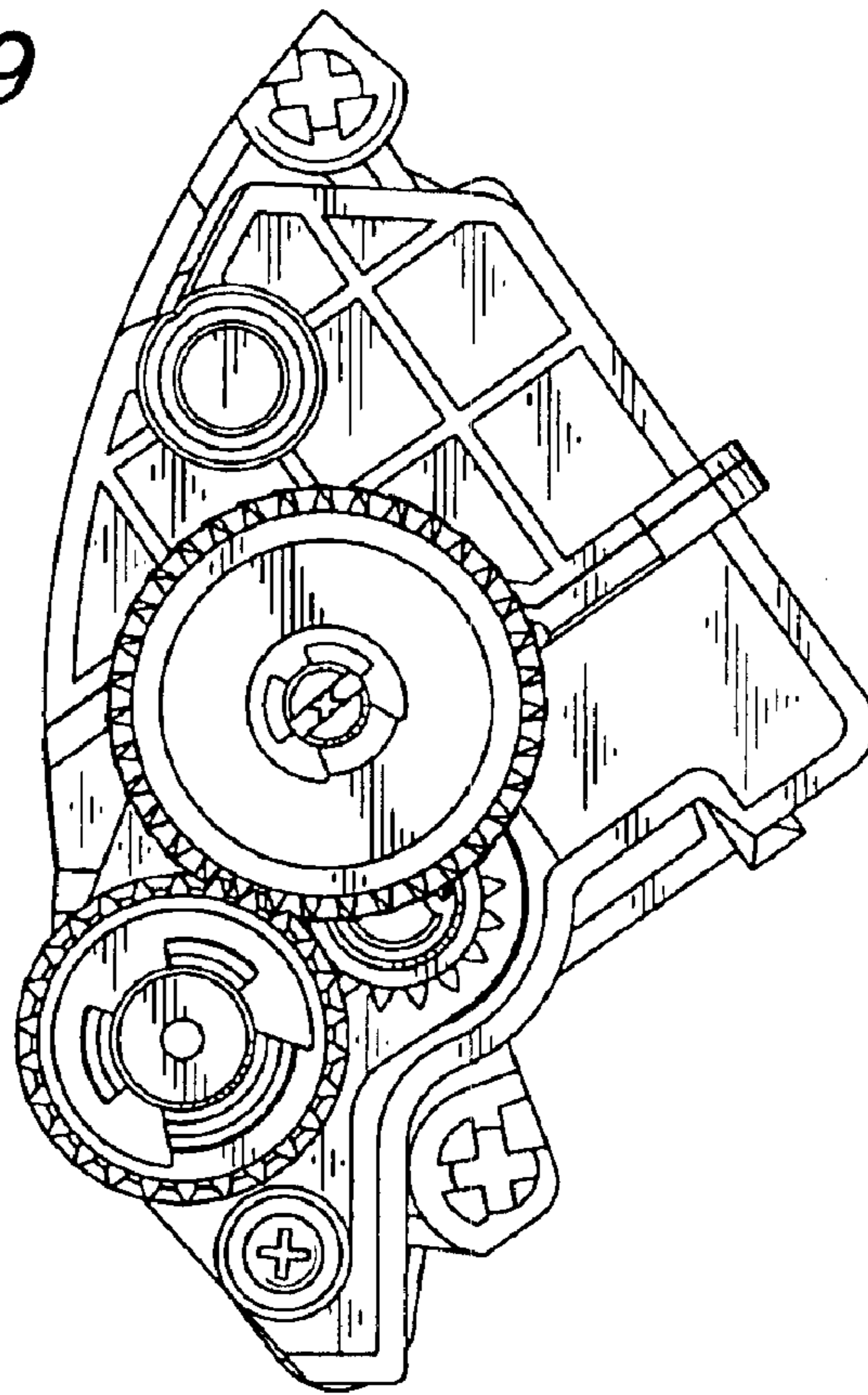
*FIG. 7*



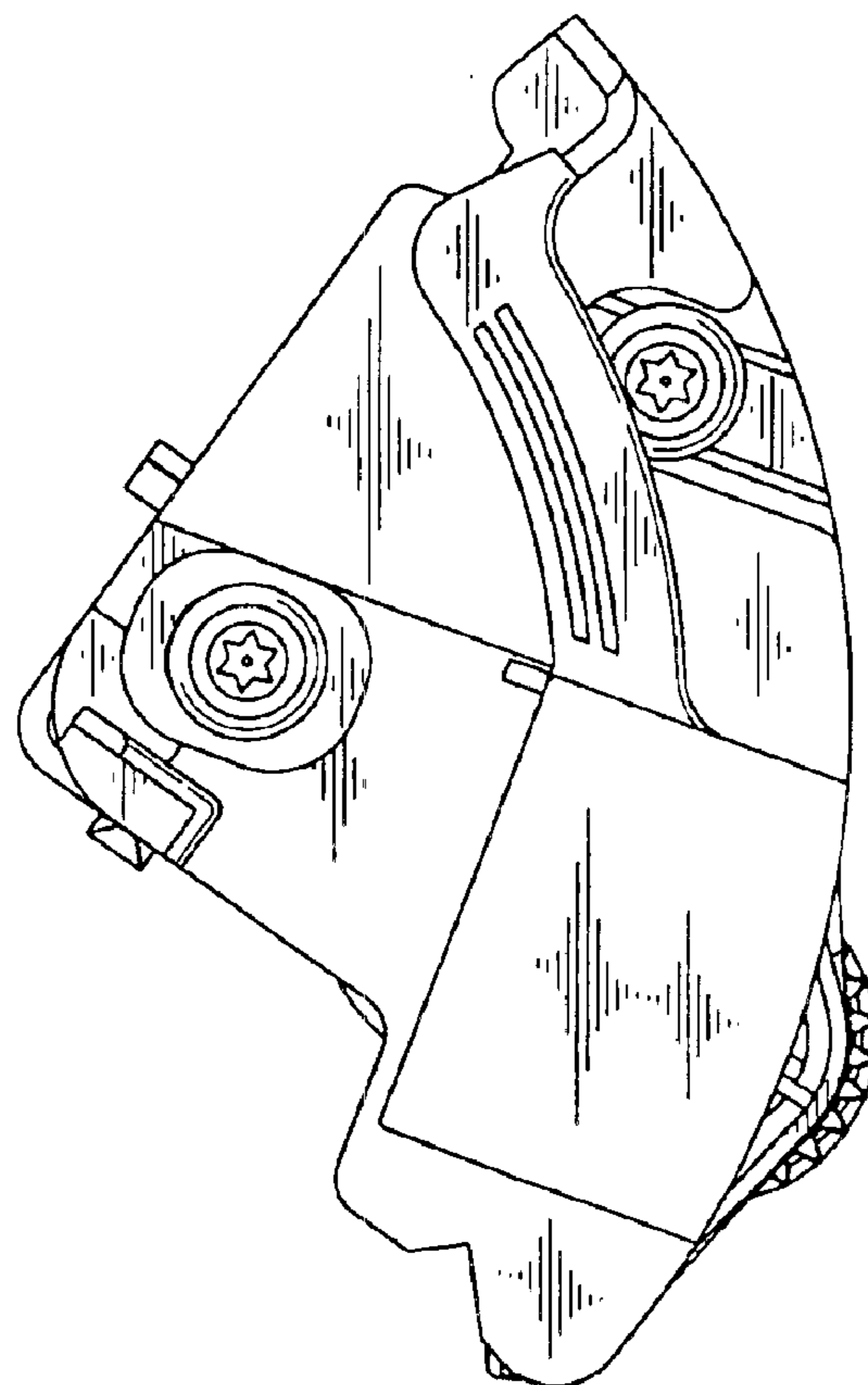
*FIG. 8*



*FIG. 9*



*FIG. 10*



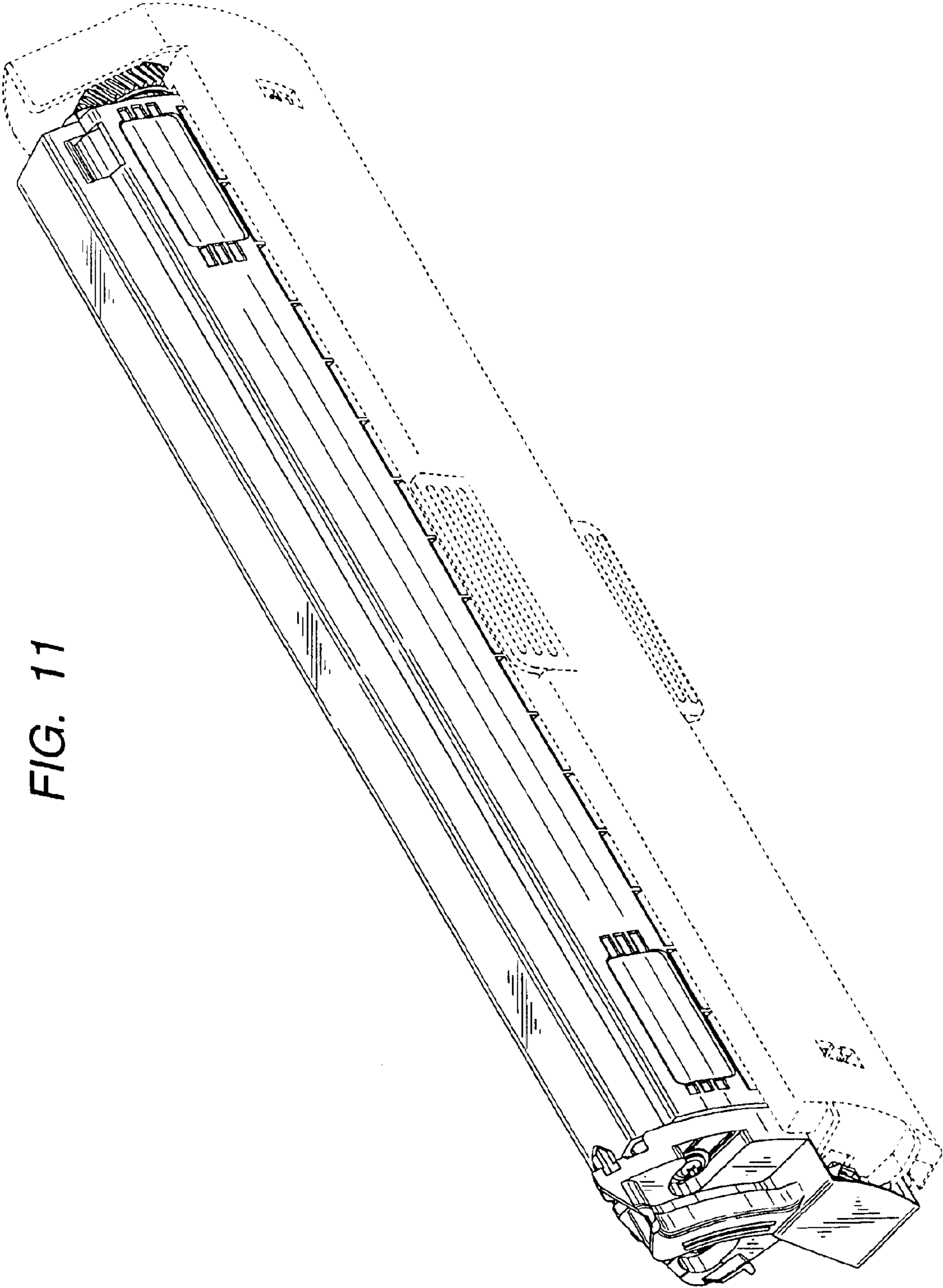


FIG. 11