

US00D500074S

(12) **United States Design Patent**
Naraoka

(10) **Patent No.: US D500,074 S**

(45) **Date of Patent: ** Dec. 21, 2004**

(54) **TONER STORAGE CONTAINER**

(75) **Inventor: Tatsuhisa Naraoka, Mishima (JP)**

(73) **Assignee: Toshiba Tec Kabushiki Kaisha, Tokyo (JP)**

(**) **Term: 14 Years**

(21) **Appl. No.: 29/189,346**

(22) **Filed: Sep. 4, 2003**

(30) **Foreign Application Priority Data**

Mar. 6, 2003 (JP) 2003-005895

(51) **LOC (7) Cl. 16-03**

(52) **U.S. Cl. D18/43**

(58) **Field of Search** D18/12, 40, 43,
D18/56; D14/471, 481, 483; 222/DIG. 1;
399/24-31, 110-125, 252-262; 400/207,
208; D9/500, 520; 209/447

(56) **References Cited**

U.S. PATENT DOCUMENTS

D430,197 S	*	8/2000	Wang et al.	D18/43
6,188,859 B1		2/2001	Wang et al.		
D442,623 S	*	5/2001	Yoshizawa	D18/43
D442,986 S	*	5/2001	Tsuji et al.	D18/43
6,256,470 B1	*	7/2001	Taniyama et al.	399/262
6,259,877 B1	*	7/2001	Taniyama et al.	399/262
D447,167 S		8/2001	Taniyama		
D458,301 S	*	6/2002	Wang et al.	D18/43
D458,960 S	*	6/2002	Wang et al.	D18/43
D458,961 S	*	6/2002	Wang et al.	D18/43
D472,572 S		4/2003	Kaiho		

6,671,482 B2	*	12/2003	DiIanni et al.	399/262
2003/0156861 A1	*	8/2003	Nagano et al.	399/262

FOREIGN PATENT DOCUMENTS

JP	D1165199	3/2002
JP	D1197338	3/2003
JP	D1197590	3/2003
JP	D1197591	3/2003

OTHER PUBLICATIONS

Office Action dated Dec. 3, 2003, from Japanese Patent Office issued in connection with counterpart Japanese application.

* cited by examiner

Primary Examiner—Caron D. Veynar

(74) *Attorney, Agent, or Firm*—Morrison & Foerster LLP

(57) **CLAIM**

The ornamental design for a toner storage container, as shown.

DESCRIPTION

FIG. 1 is a top rear perspective view of a toner storage container showing my new design;

FIG. 2 is a rear, bottom and left side perspective view thereof;

FIG. 3 is a front elevational view thereof;

FIG. 4 is a rear elevational view thereof;

FIG. 5 is a top plan view thereof;

FIG. 6 is a bottom plan view thereof;

FIG. 7 is a left elevational view thereof; and,

FIG. 8 is a right elevational view thereof.

1 Claim, 4 Drawing Sheets

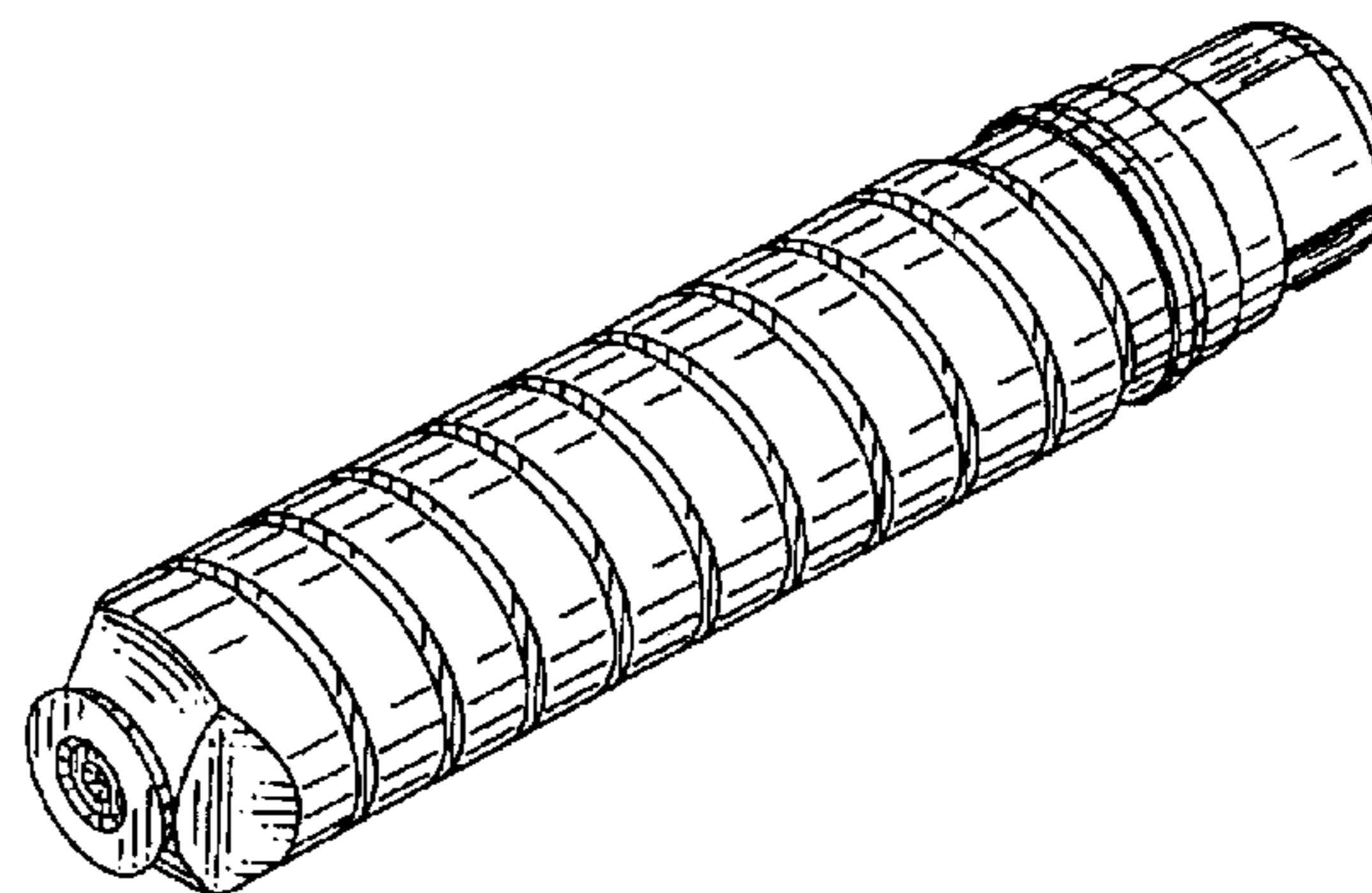
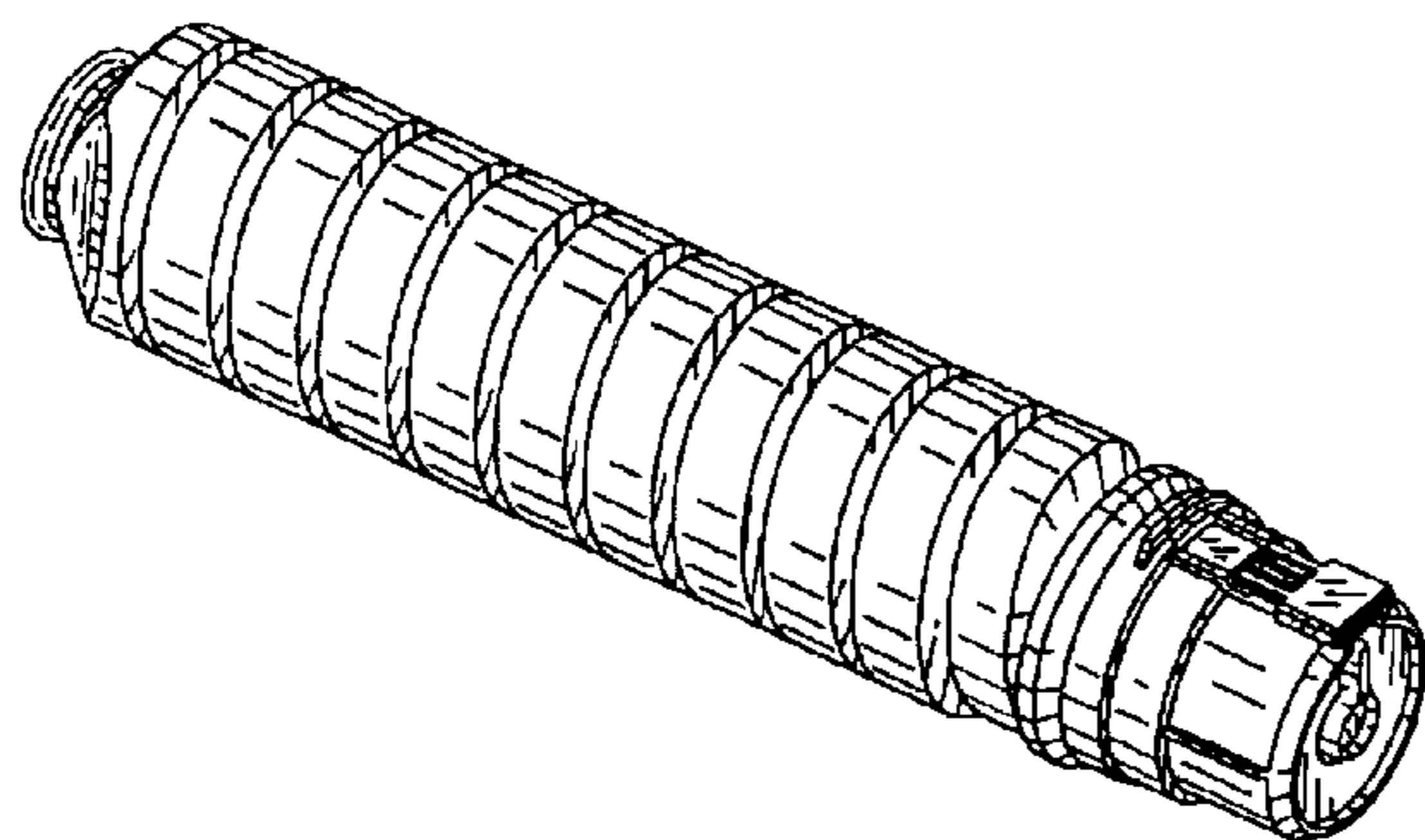


FIG. 1

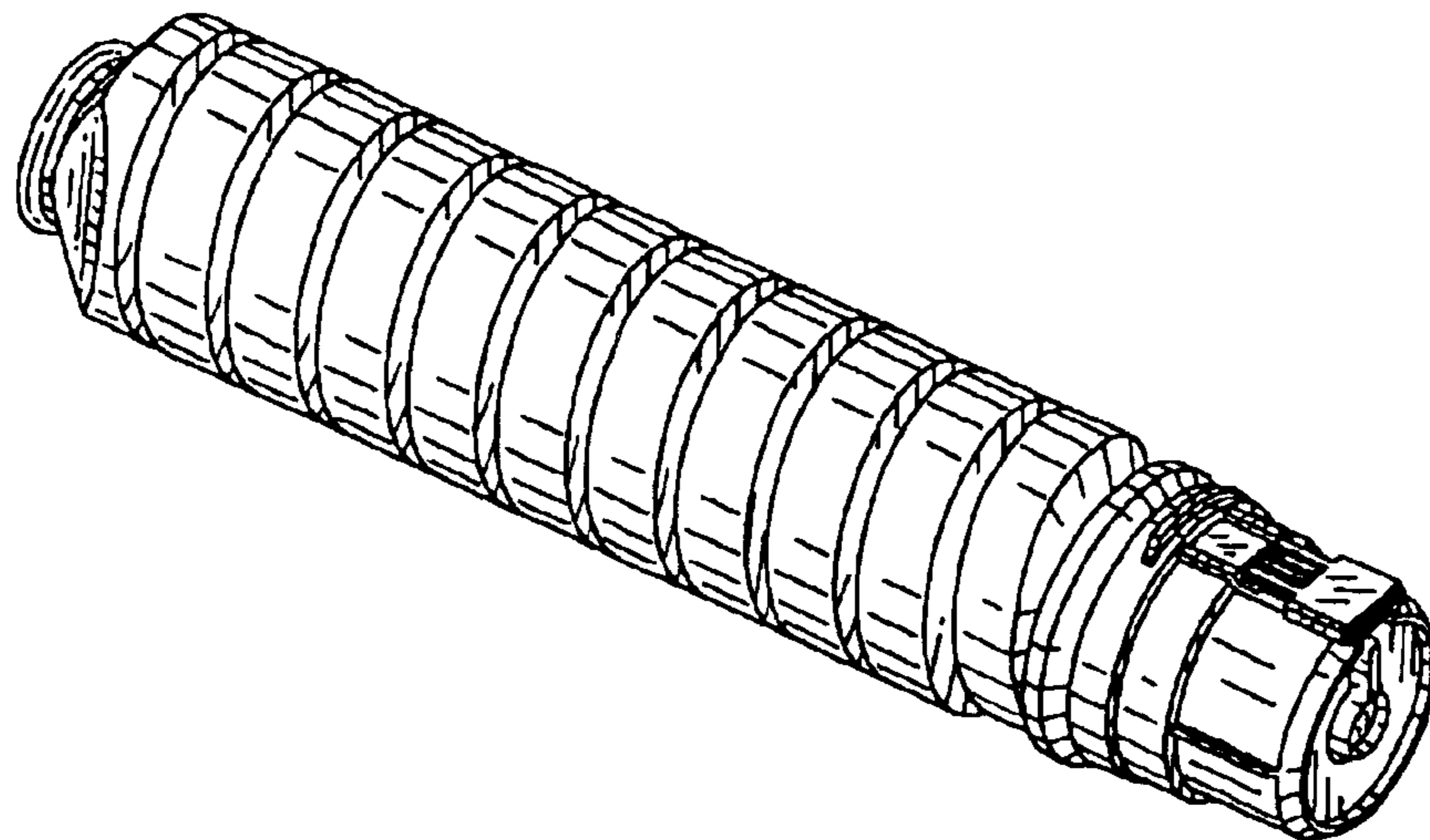


FIG. 2

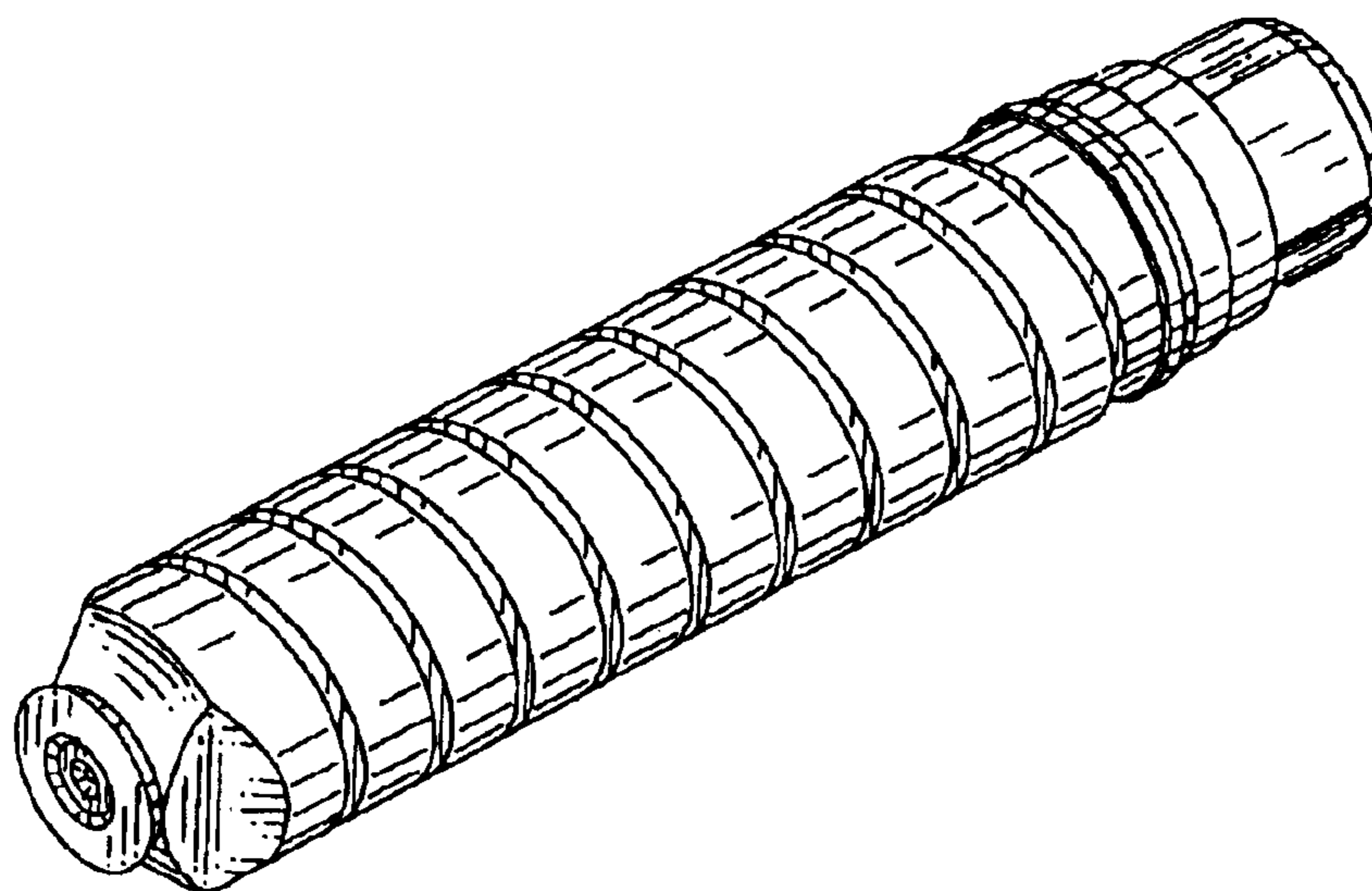


FIG. 3

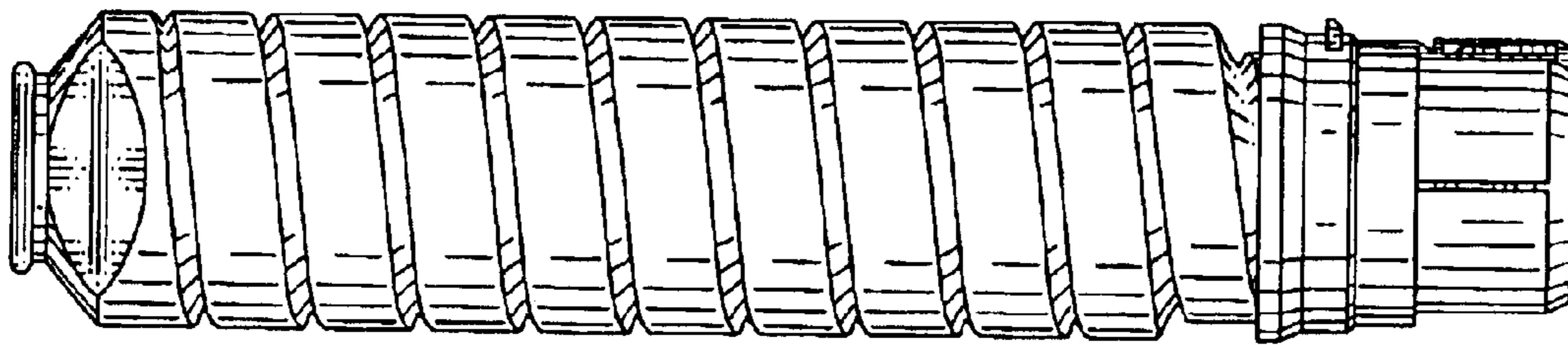


FIG. 4

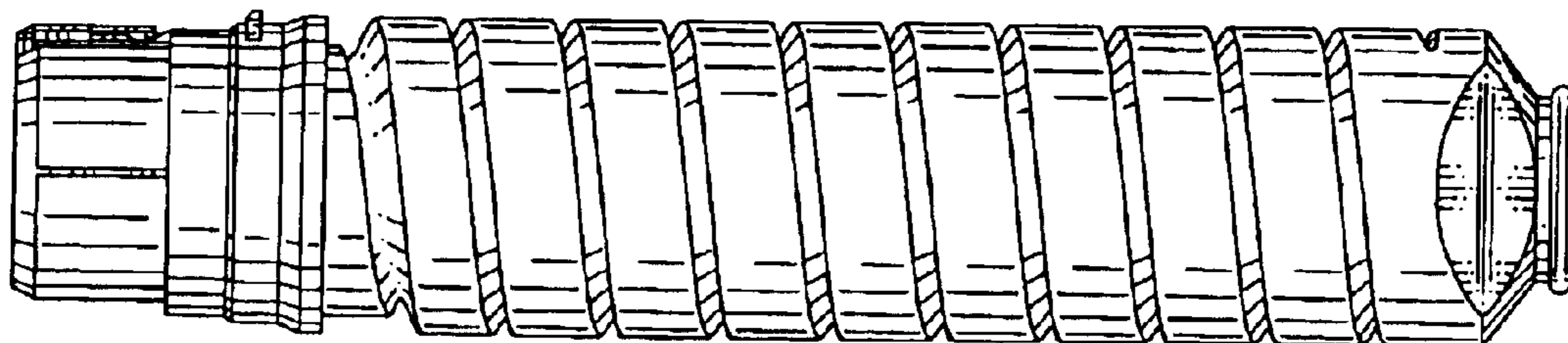


FIG. 5

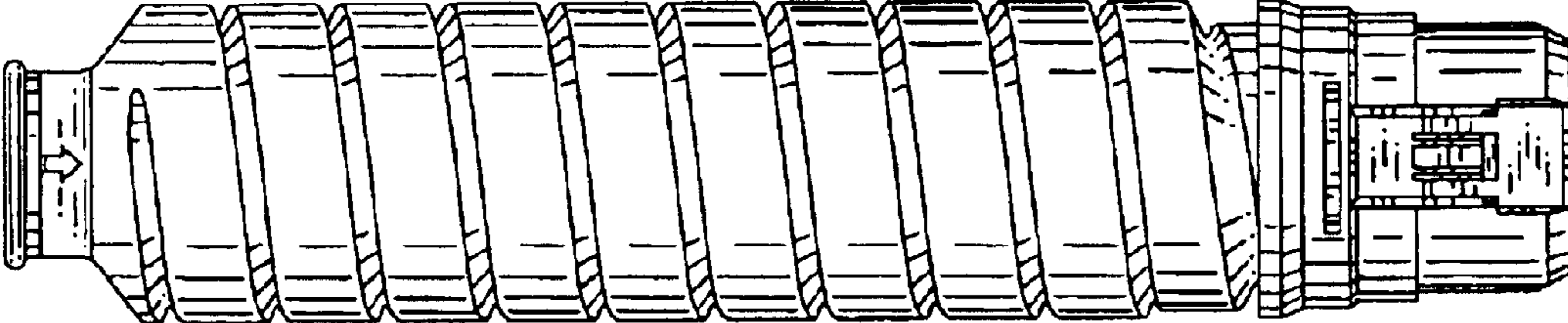


FIG. 6

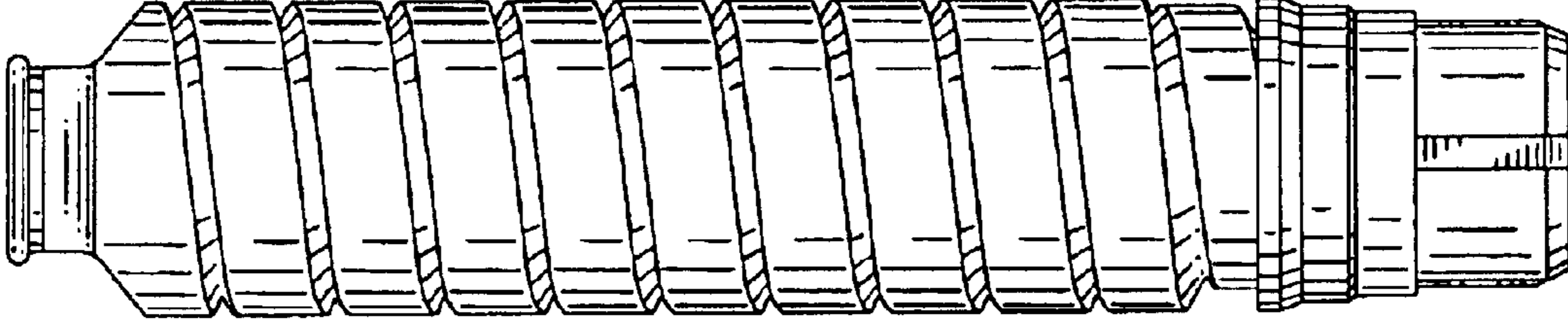


FIG. 7

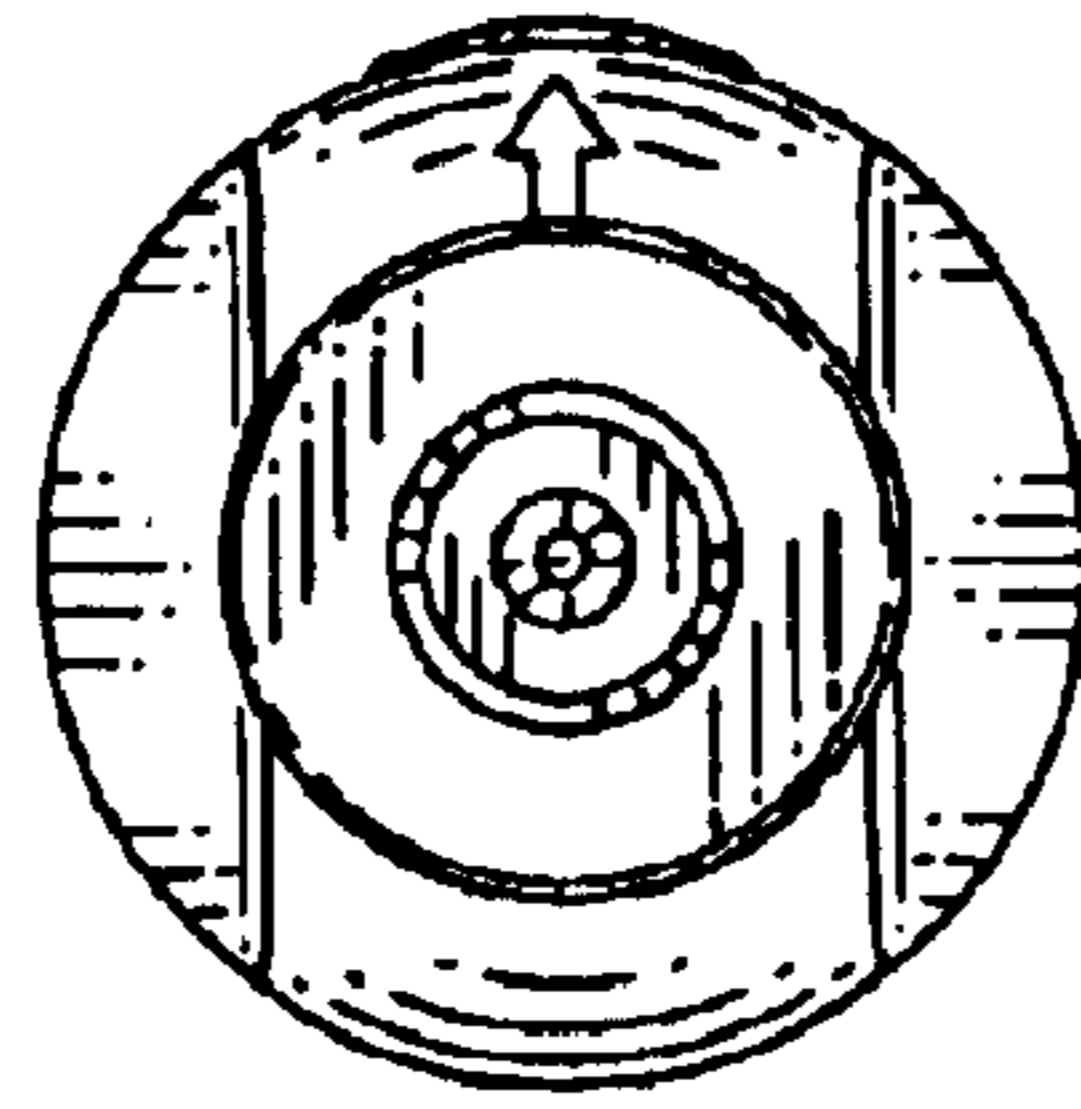


FIG. 8

