

US00D500070S

(12) **United States Design Patent**
Yamaguchi et al.

(10) **Patent No.: US D500,070 S**

(45) **Date of Patent: ** Dec. 21, 2004**

(54) **PROJECTOR**

(75) Inventors: **Toshiyuki Yamaguchi**, Tokyo (JP);
Takayuki Okamoto, Tokyo (JP); **Naoto Fukasawa**, Tokyo (JP); **Rika Tezuchi**, Tokyo (JP)

(73) Assignee: **NEC Viewtechnology, Ltd.**, Tokyo (JP)

(**) Term: **14 Years**

(21) Appl. No.: **29/194,617**

(22) Filed: **Nov. 25, 2003**

(30) **Foreign Application Priority Data**

May 26, 2003 (JP) 2003-014551

(51) **LOC (7) Cl. 16-02**

(52) **U.S. Cl. D16/230; D16/225**

(58) **Field of Search** D16/205, 208,
D16/221, 225, 229, 230, 231, 233, 234;
D21/514; 353/115, 119, 122

(56) **References Cited**

U.S. PATENT DOCUMENTS

D215,970 S * 11/1969 Frey D16/233

D398,321 S * 9/1998 Iida D16/230

D443,884 S * 6/2001 Goto et al. D16/230

6,505,941 B2 * 1/2003 Nakano 353/119

6,683,654 B1 * 1/2004 Haijima 348/374

D489,747 S * 5/2004 Safran et al. D16/230

* cited by examiner

Primary Examiner—Adir Aronovich

(74) *Attorney, Agent, or Firm*—Sughrue Mion, PLLC

(57) **CLAIM**

The ornamental design for a projector, as shown and described.

DESCRIPTION

FIG. 1 is a perspective view of the top, front and right side of a projector showing our new design;

FIG. 2 is a front elevational view thereof;

FIG. 3 is a rear elevational view thereof;

FIG. 4 is a left side elevational view thereof;

FIG. 5 is a right side elevational view thereof;

FIG. 6 is a top plan view; and,

FIG. 7 is a bottom plan view.

1 Claim, 4 Drawing Sheets

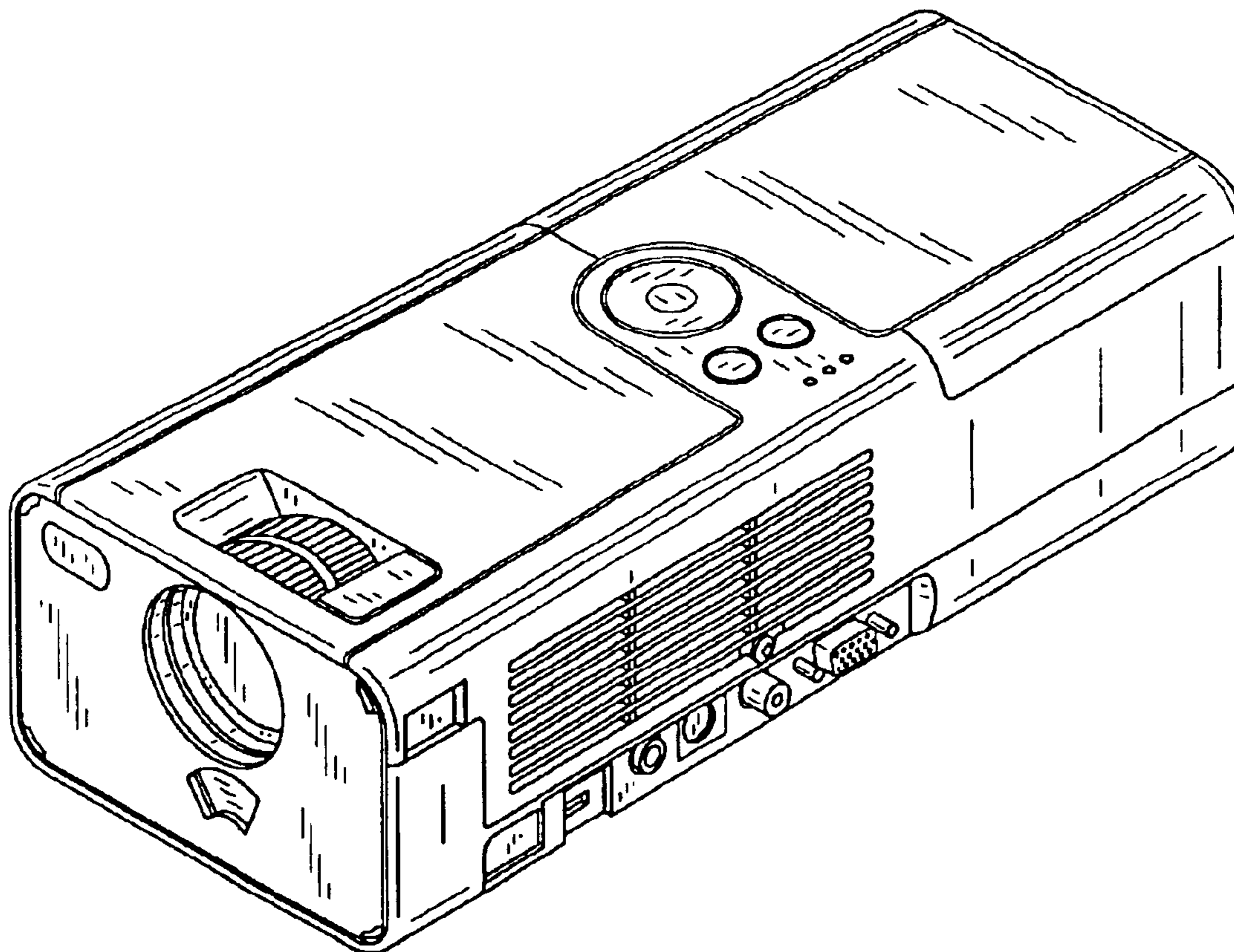


FIG. 1

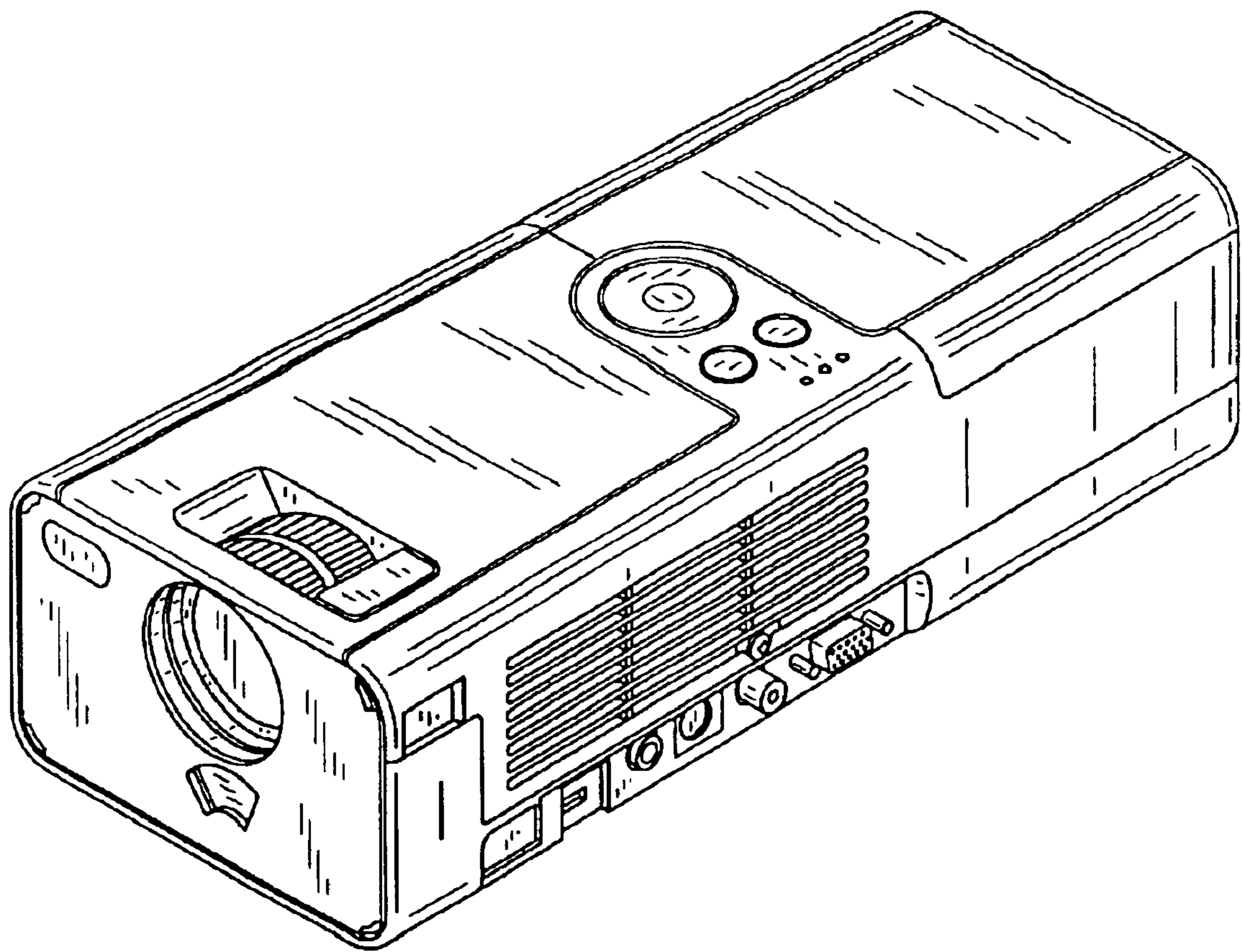


FIG. 2

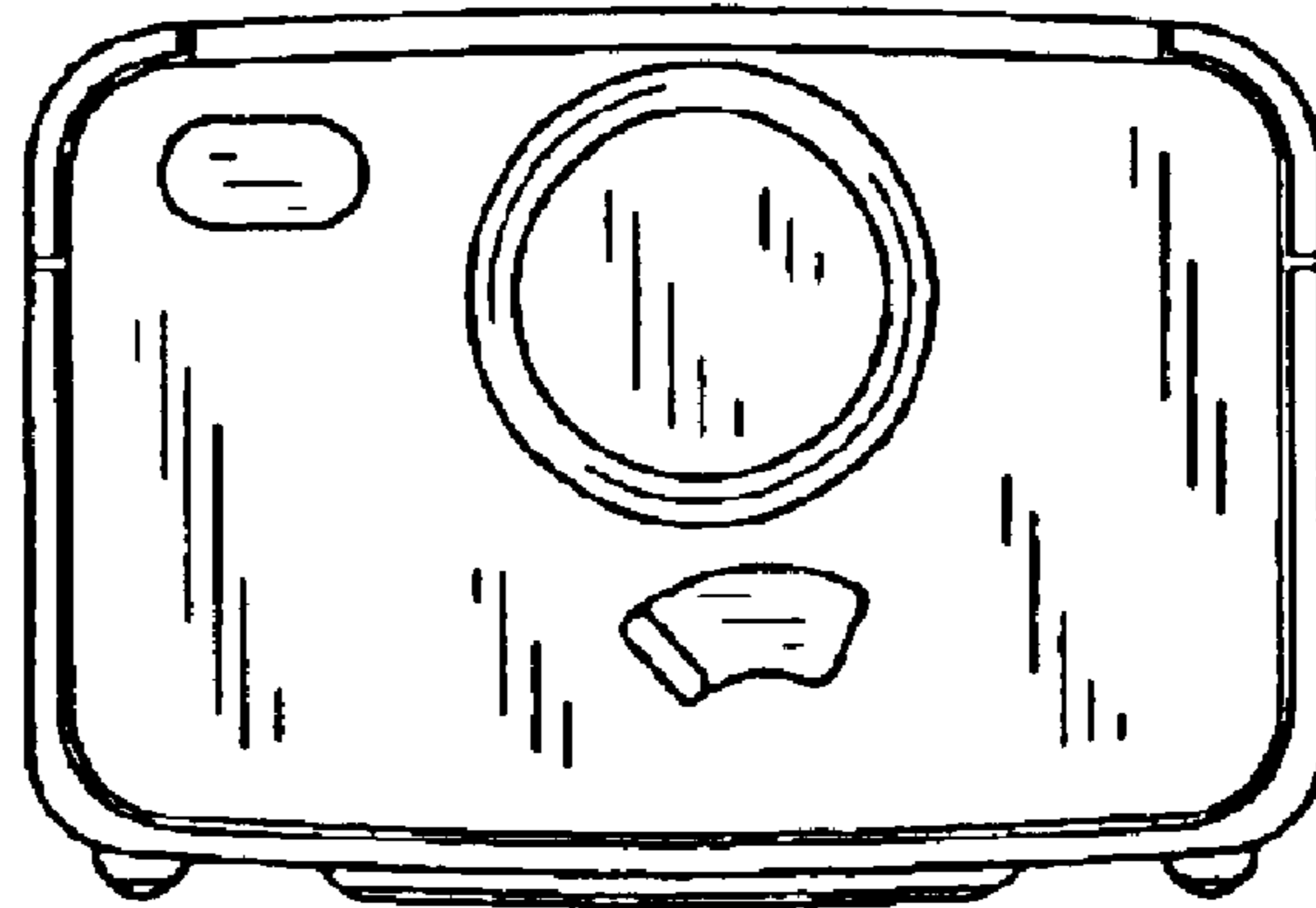


FIG. 3

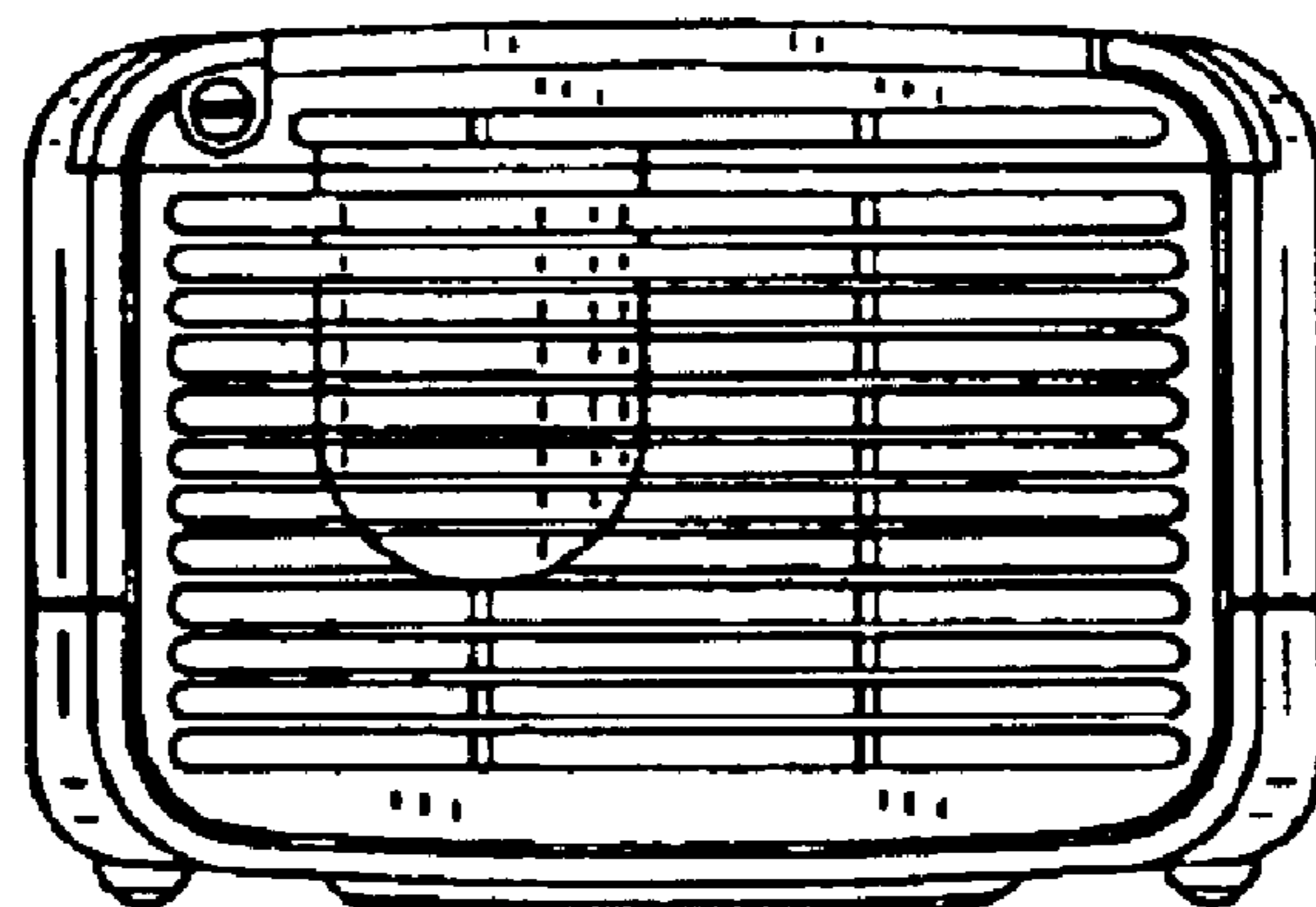


FIG. 4

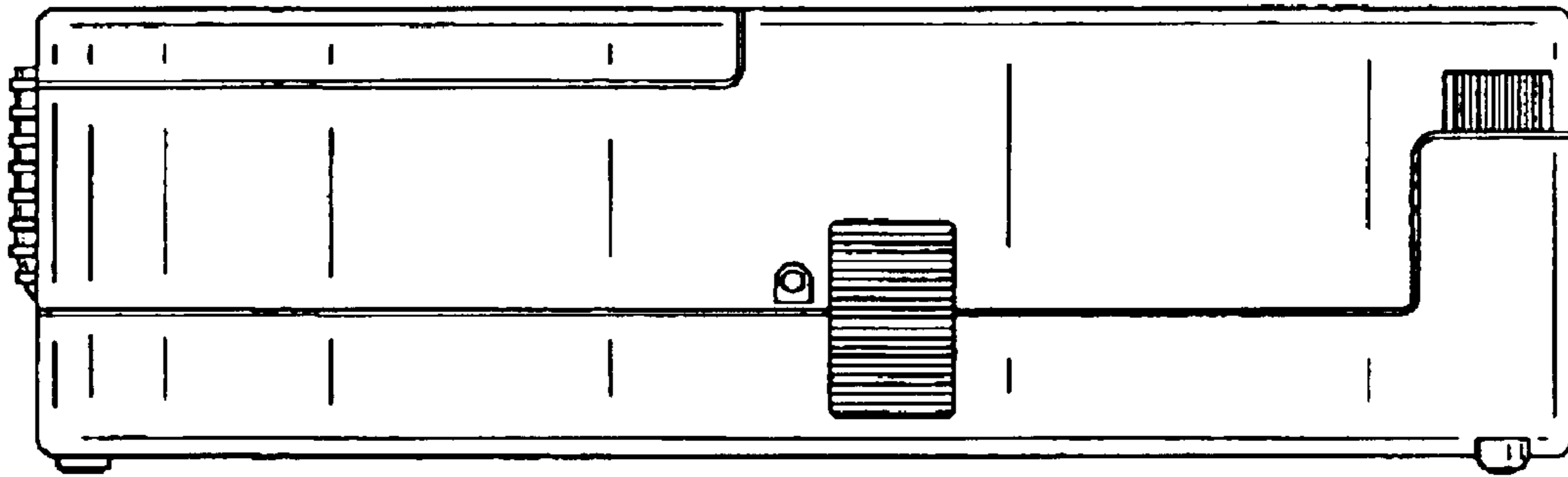


FIG. 5

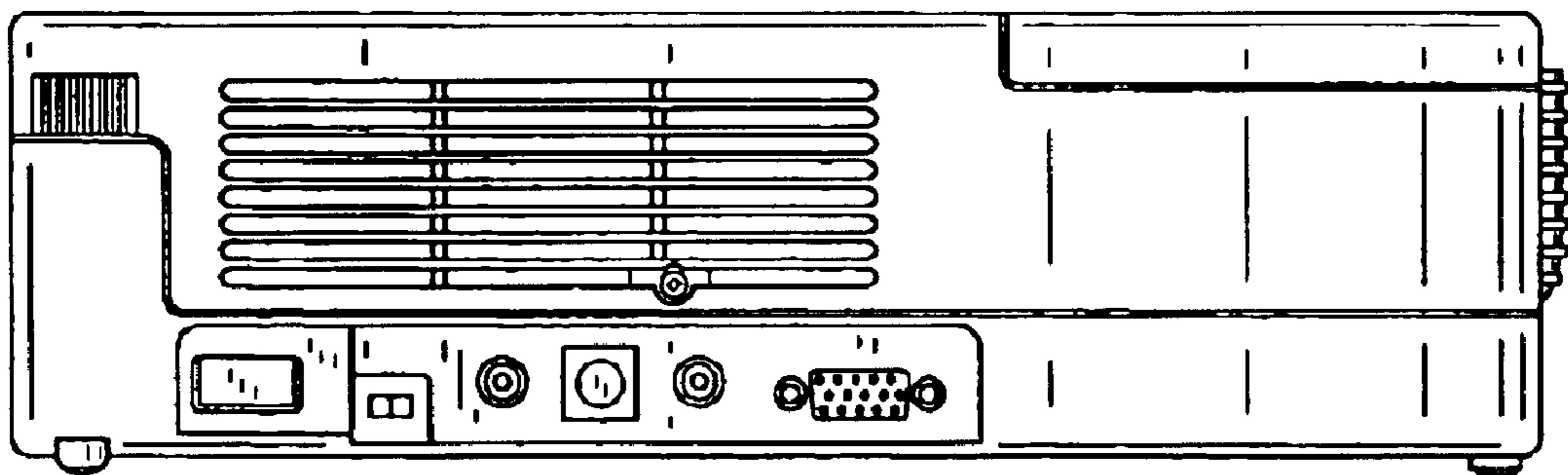


FIG. 6

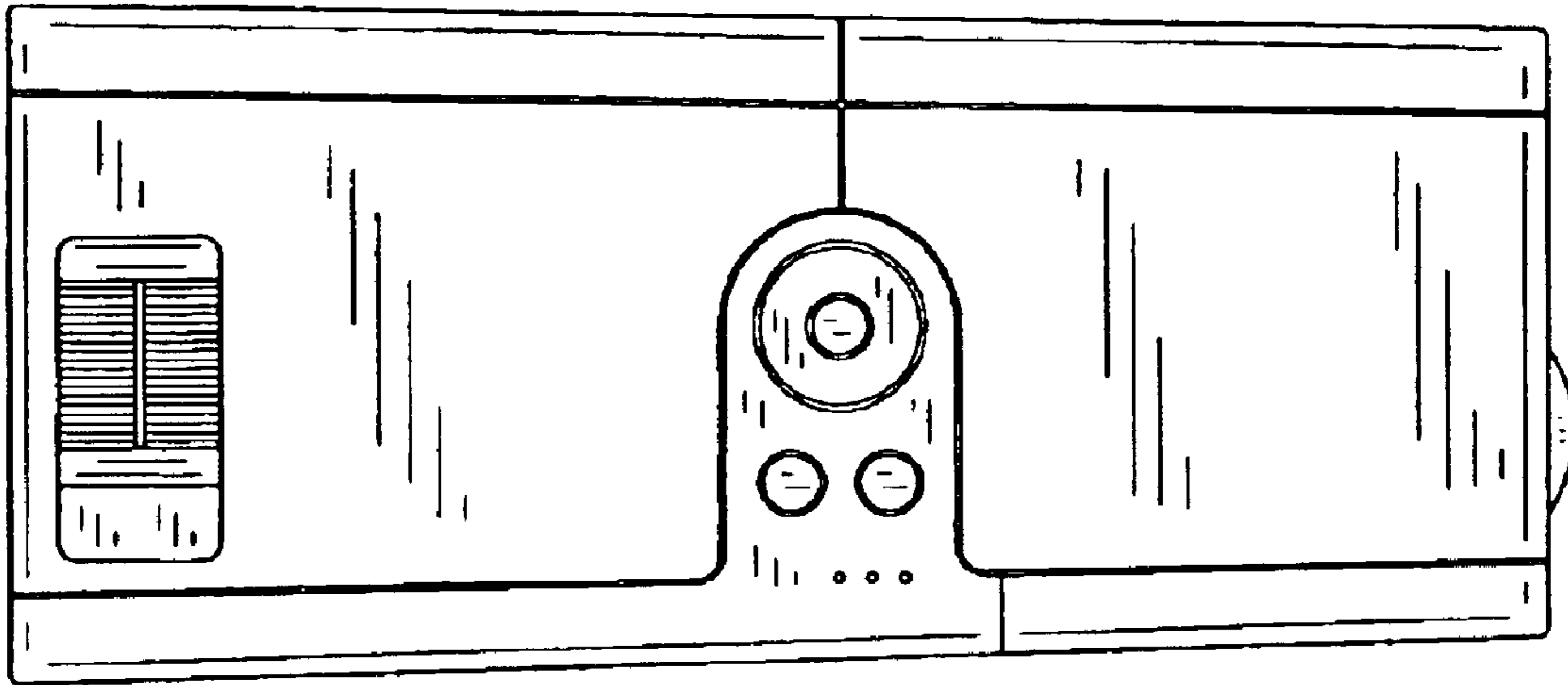


FIG. 7

