

US00D500068S

(12) **United States Design Patent**
Hayashi

(10) **Patent No.: US D500,068 S**
(45) **Date of Patent: ** Dec. 21, 2004**

(54) **CAMERA**

FOREIGN PATENT DOCUMENTS

(75) Inventor: **Haruo Hayashi**, Tokyo (JP)

JP D1179362 S 7/2003

(73) Assignee: **Sony Corporation**, Tokyo (JP)

OTHER PUBLICATIONS

(**) Term: **14 Years**

Web page "FinePix S602" www.yodobashi.com, 1 sheet, Yodobashi Camera (Dec. 2003).

(21) Appl. No.: **29/198,919**

Web page "DiMAGE A1" www.yodobashi.com, 1 sheet, Yodobashi Camera (Dec. 2003).

(22) Filed: **Feb. 9, 2004**

* cited by examiner

(51) **LOC (7) Cl. 16-01**

Primary Examiner—Adir Aronovich

(52) **U.S. Cl. D16/202; D16/206**

(74) *Attorney, Agent, or Firm*—Rader, Fishman & Grauer PLLC

(58) **Field of Search D16/200–206,**
D16/208, 218; 348/373–376; 358/906, 909.1;
396/535–541

(57) **CLAIM**

The ornamental design for a camera, as shown.

(56) **References Cited**

DESCRIPTION

U.S. PATENT DOCUMENTS

FIG. 1 is a perspective view of a camera showing my new design;

D433,693 S	11/2000	Kobayashi	D16/202	
D441,778 S	*	5/2001	Funakoshi	D16/202
D444,163 S	*	6/2001	Yoshida	D16/202
D446,532 S	*	8/2001	Takahashi	D16/202
D447,500 S	*	9/2001	Funato	D16/202
D450,074 S	11/2001	Miyashita	D16/202	
D456,035 S	*	4/2002	Yamazaki et al.	D16/202
2003/0001960 A9	*	1/2003	Kato et al.	348/374

FIG. 2 is a front elevational view thereof;

FIG. 3 is a rear elevational view thereof;

FIG. 4 is a left side elevational view thereof;

FIG. 5 is a right side elevational view thereof;

FIG. 6 is a top plan view thereof; and,

FIG. 7 is a bottom plan view thereof.

1 Claim, 4 Drawing Sheets

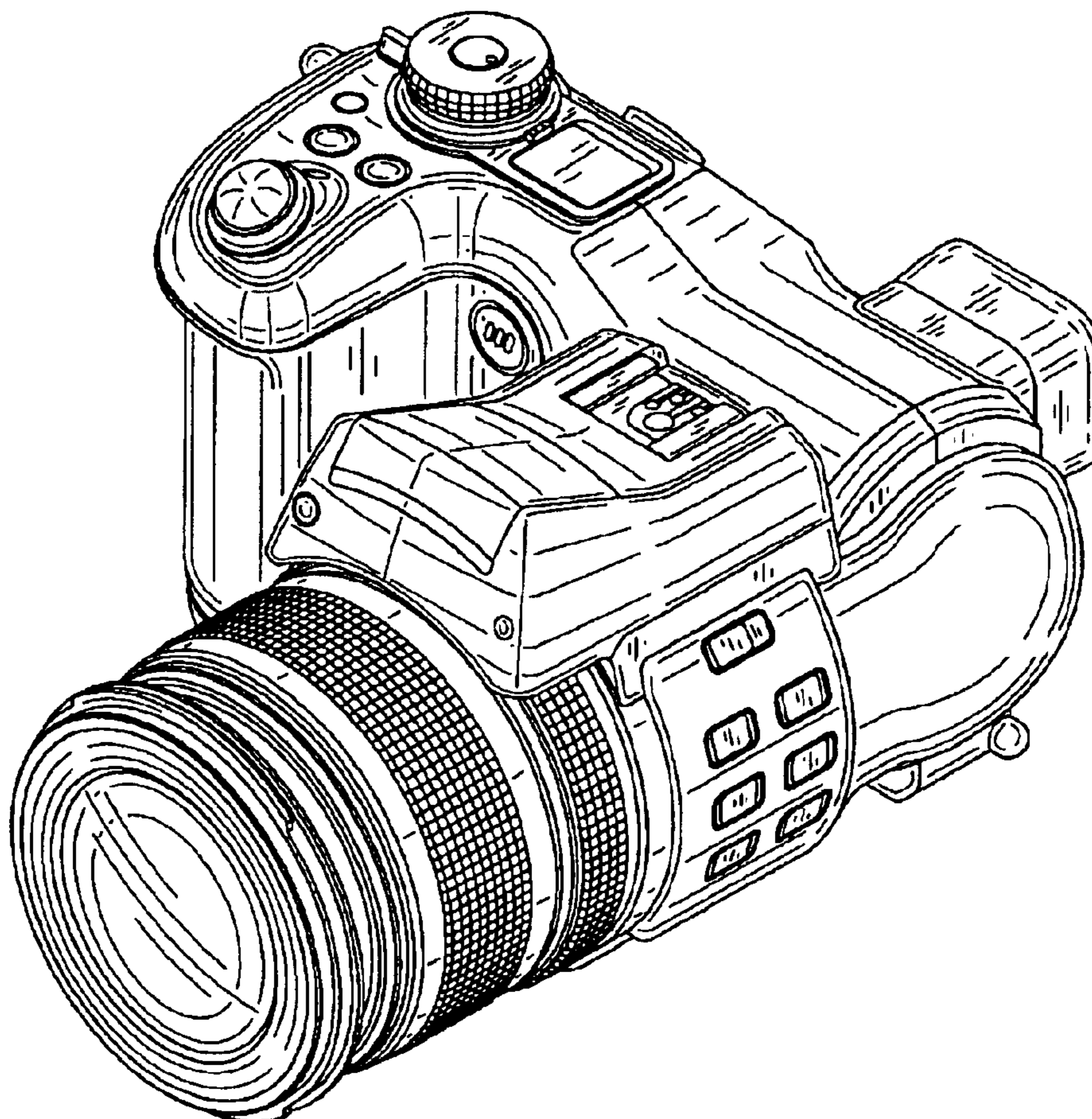


Fig. 1

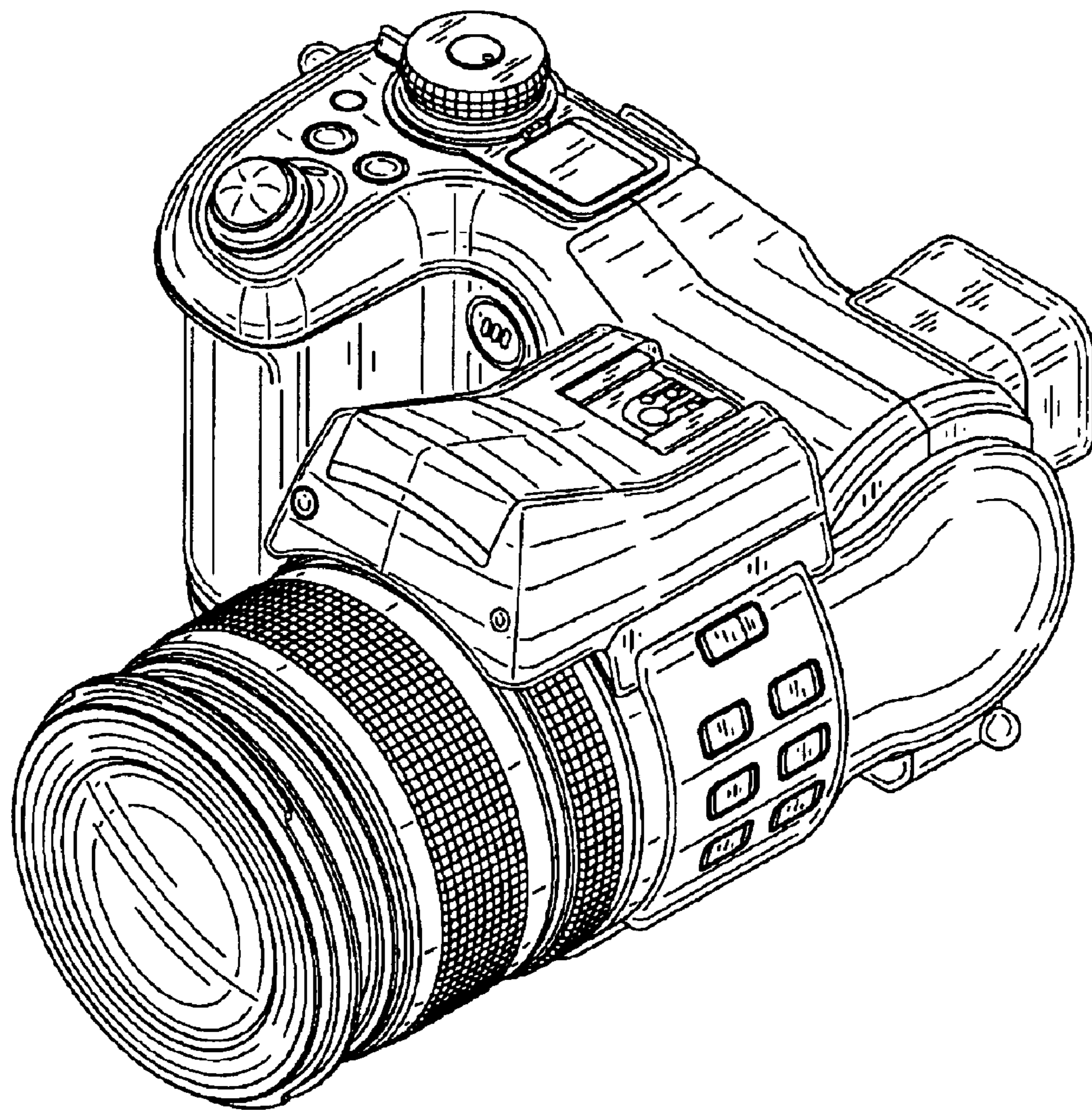


Fig.2

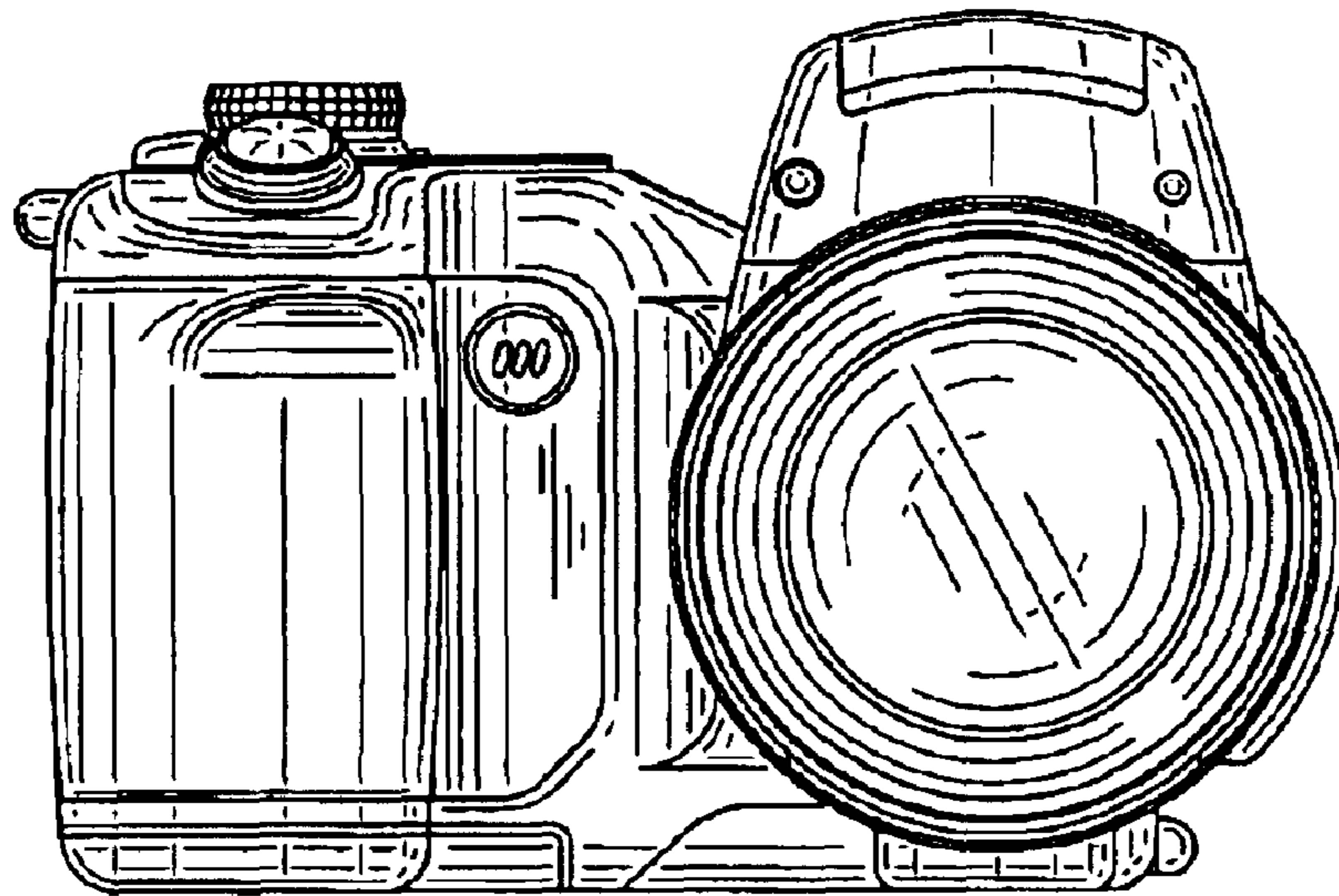


Fig.3

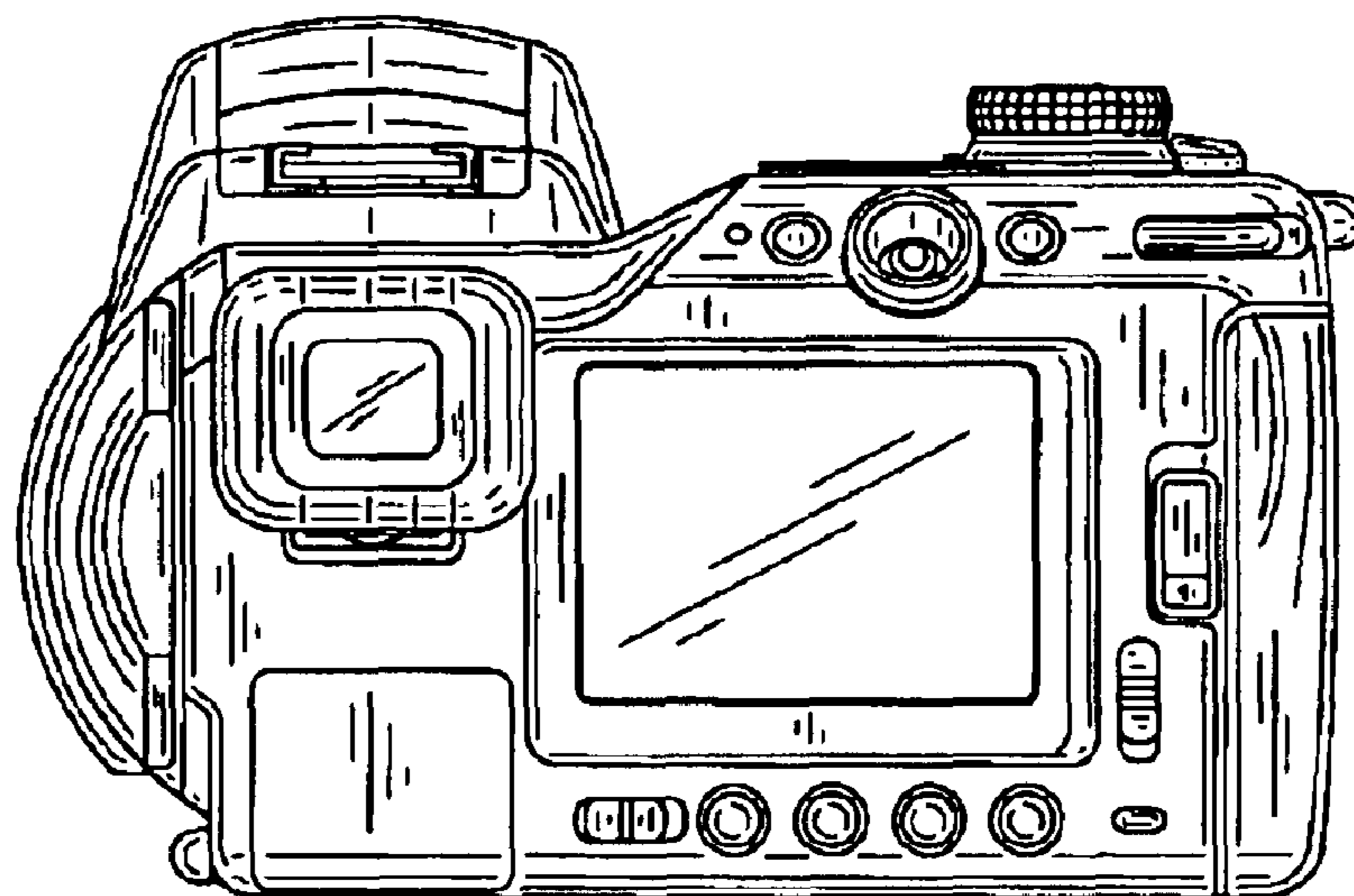


Fig.4

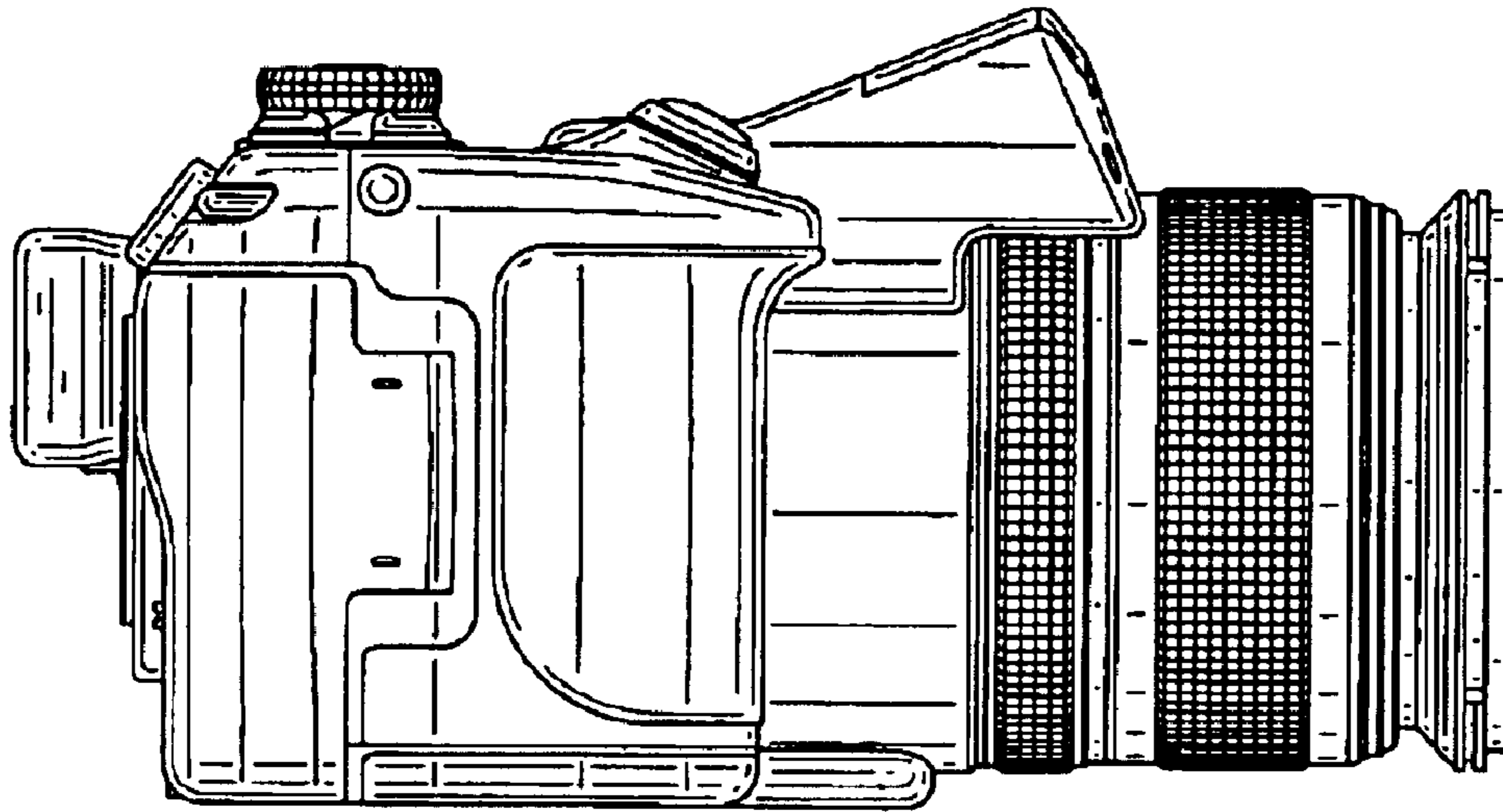


Fig.5

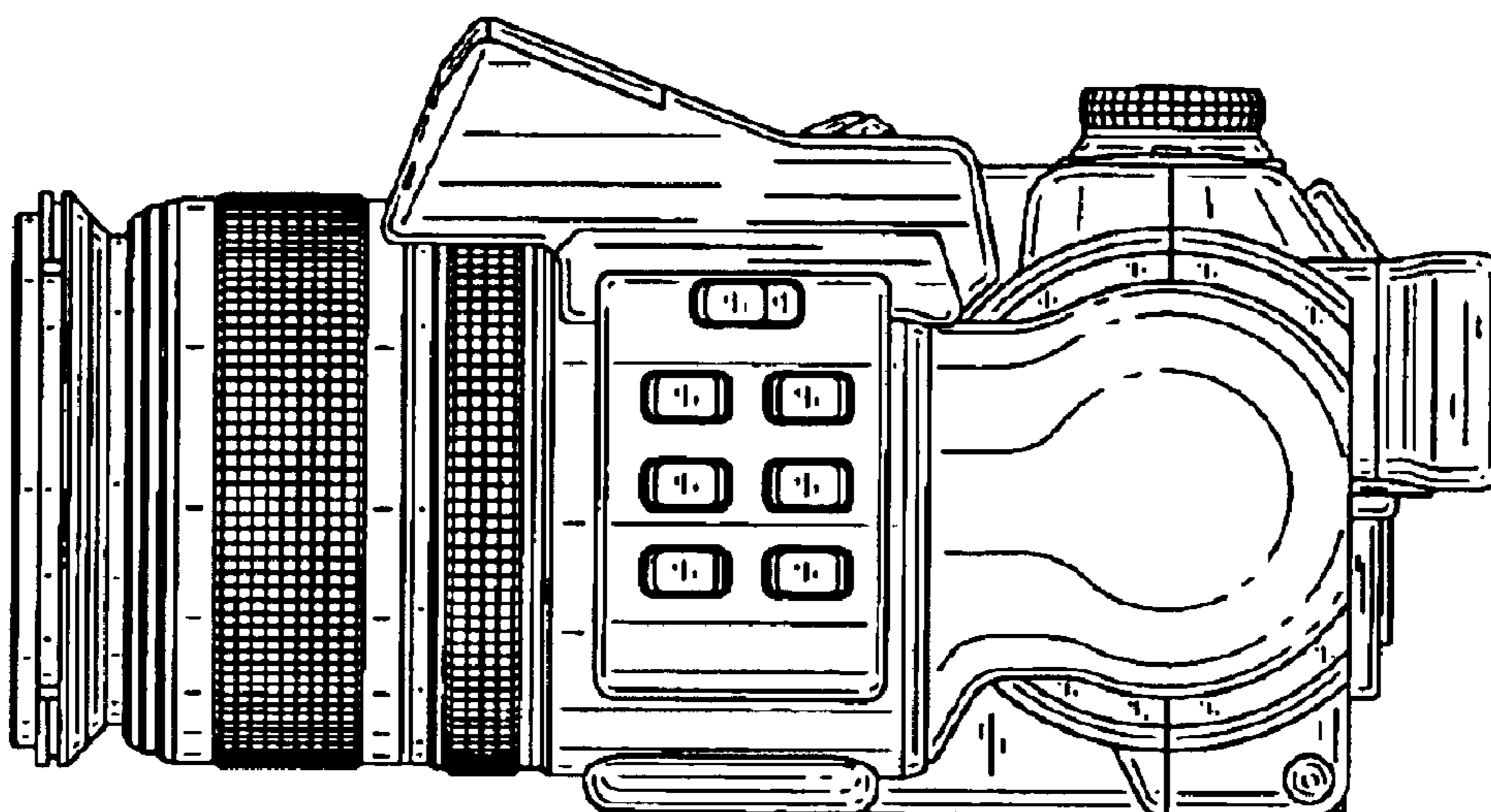


Fig.6

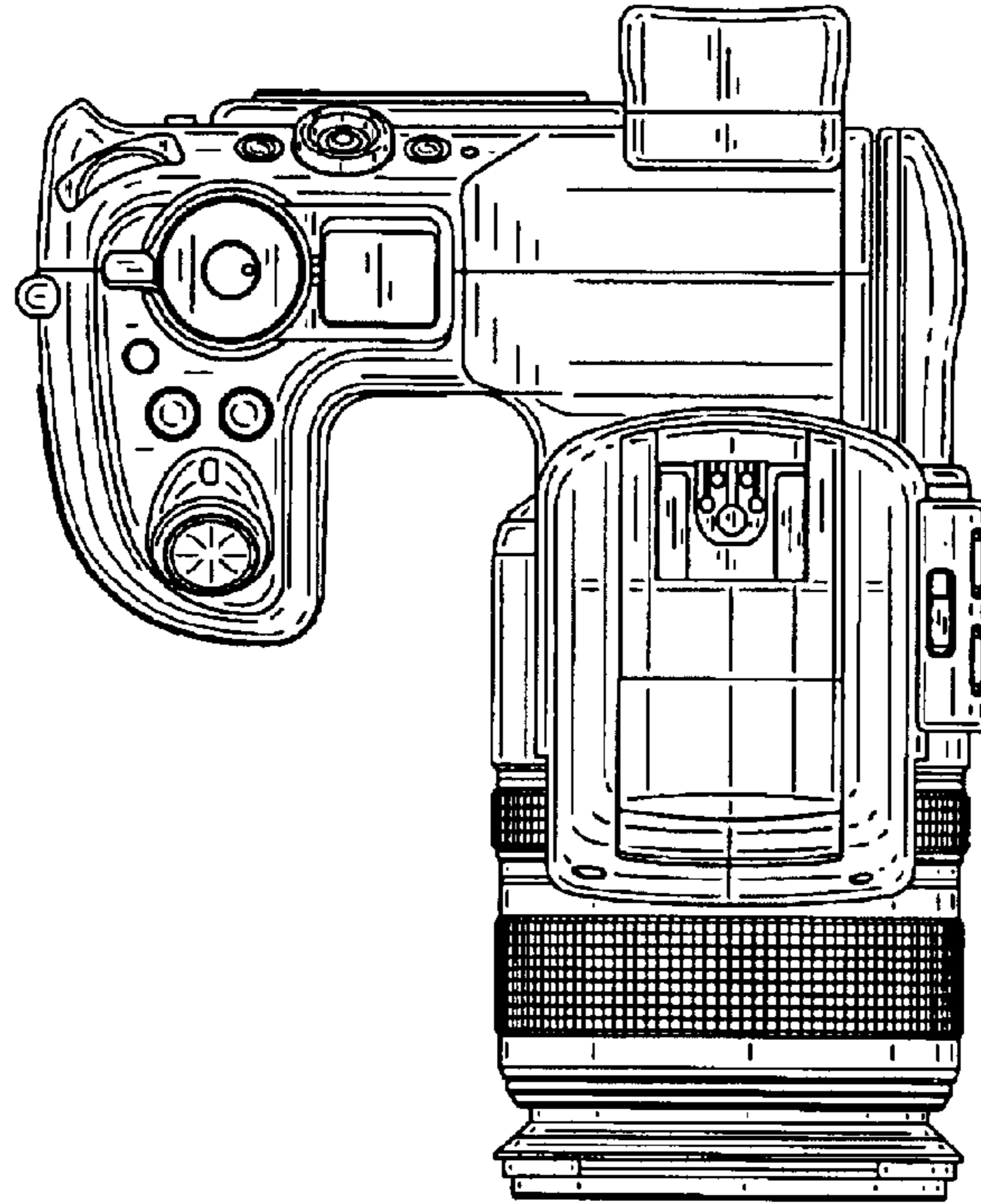


Fig.7

