

US00D500064S

(12) **United States Design Patent**
Kuraoka et al.

(10) **Patent No.:** **US D500,064 S**

(45) **Date of Patent:** **** Dec. 21, 2004**

(54) **NOZZLE FOR A PLASMA ARC TORCH**

D446,231 S * 8/2001 Kuraoka et al. D15/144

(75) Inventors: **Kazuhiro Kuraoka**, **Komatsu (JP)**;
Yoshihiro Yamaguchi, **Komatsu (JP)**

* cited by examiner

Primary Examiner—Antoine D. Davis

(73) Assignee: **Komatsu Industries Corporation**,
Tokyo (JP)

(74) *Attorney, Agent, or Firm*—Manabu Kanesaka

(**) Term: **14 Years**

(57) **CLAIM**

The ornamental design for a nozzle for a plasma arc torch,
as shown and described.

(21) Appl. No.: **29/192,752**

DESCRIPTION

(22) Filed: **Oct. 30, 2003**

(51) **LOC (7) Cl.** **15-09**

FIG. 1 is a right side view of a nozzle for a plasma arc torch
showing our new design;

(52) **U.S. Cl.** **D15/144**

FIG. 2 is a left side view thereof;

(58) **Field of Search** D15/144; 219/121.4–121.5

FIG. 3 is a front view thereof, a rear view being symmetrical
to the front view, a plan view and a bottom view being same
as the front view; and,

(56) **References Cited**

FIG. 4 is a sectional view thereof taken along line 4—4 in
FIG. 1.

U.S. PATENT DOCUMENTS

D299,352 S * 1/1989 Spaulding et al. D15/144

D359,058 S * 6/1995 Carkhuff D15/144

1 Claim, 2 Drawing Sheets

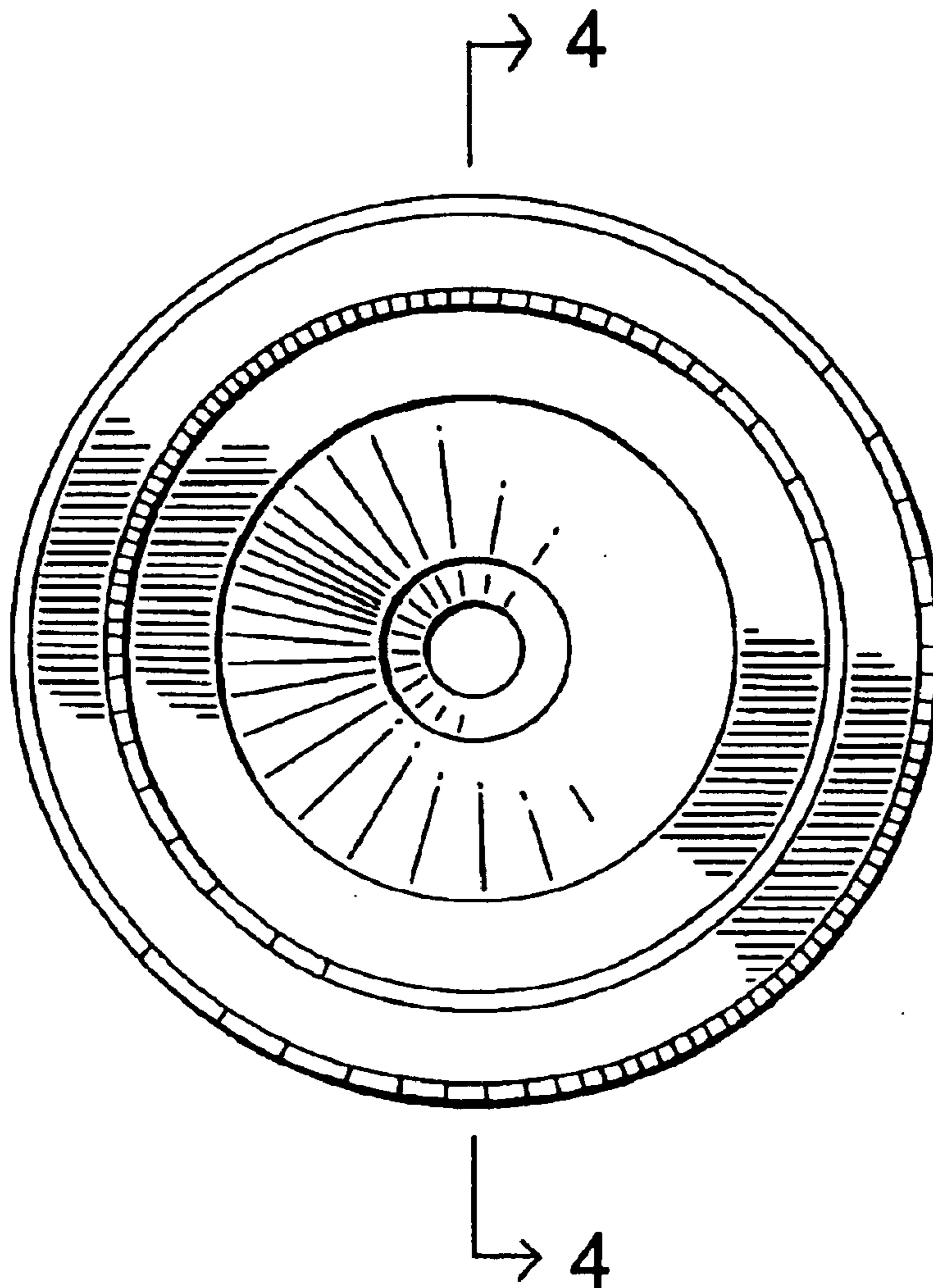


Fig. 1

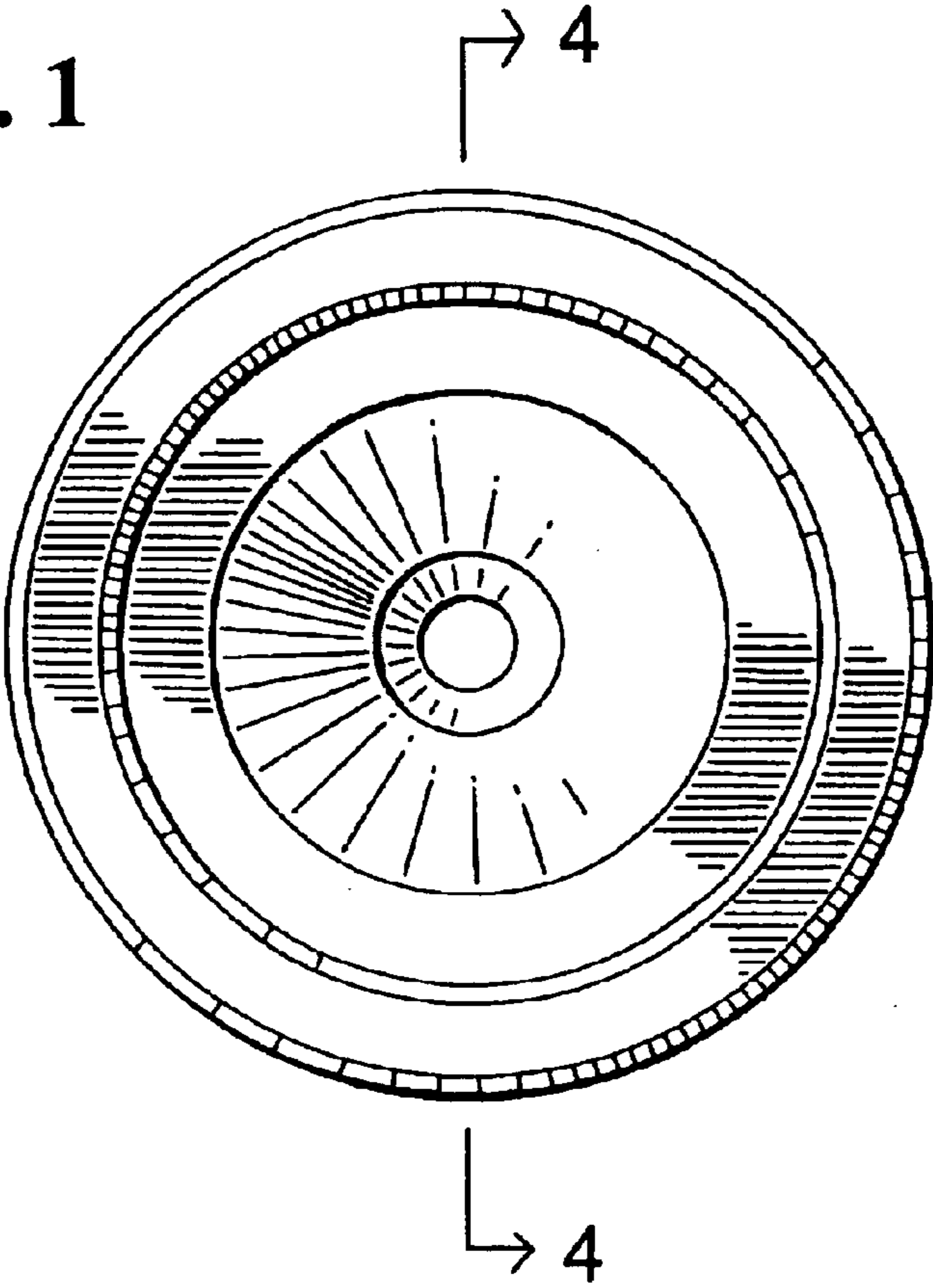


Fig. 2

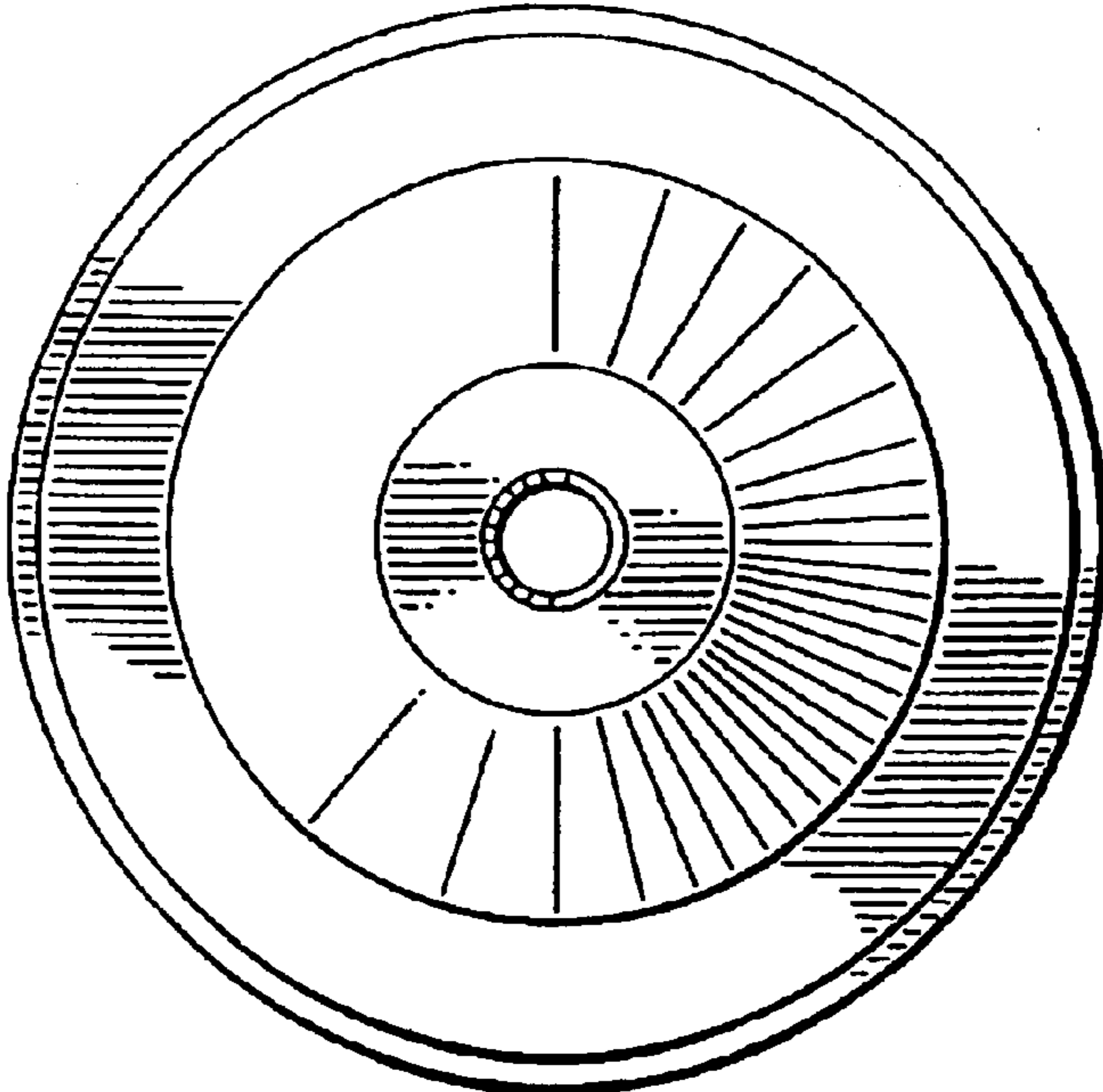


Fig. 3

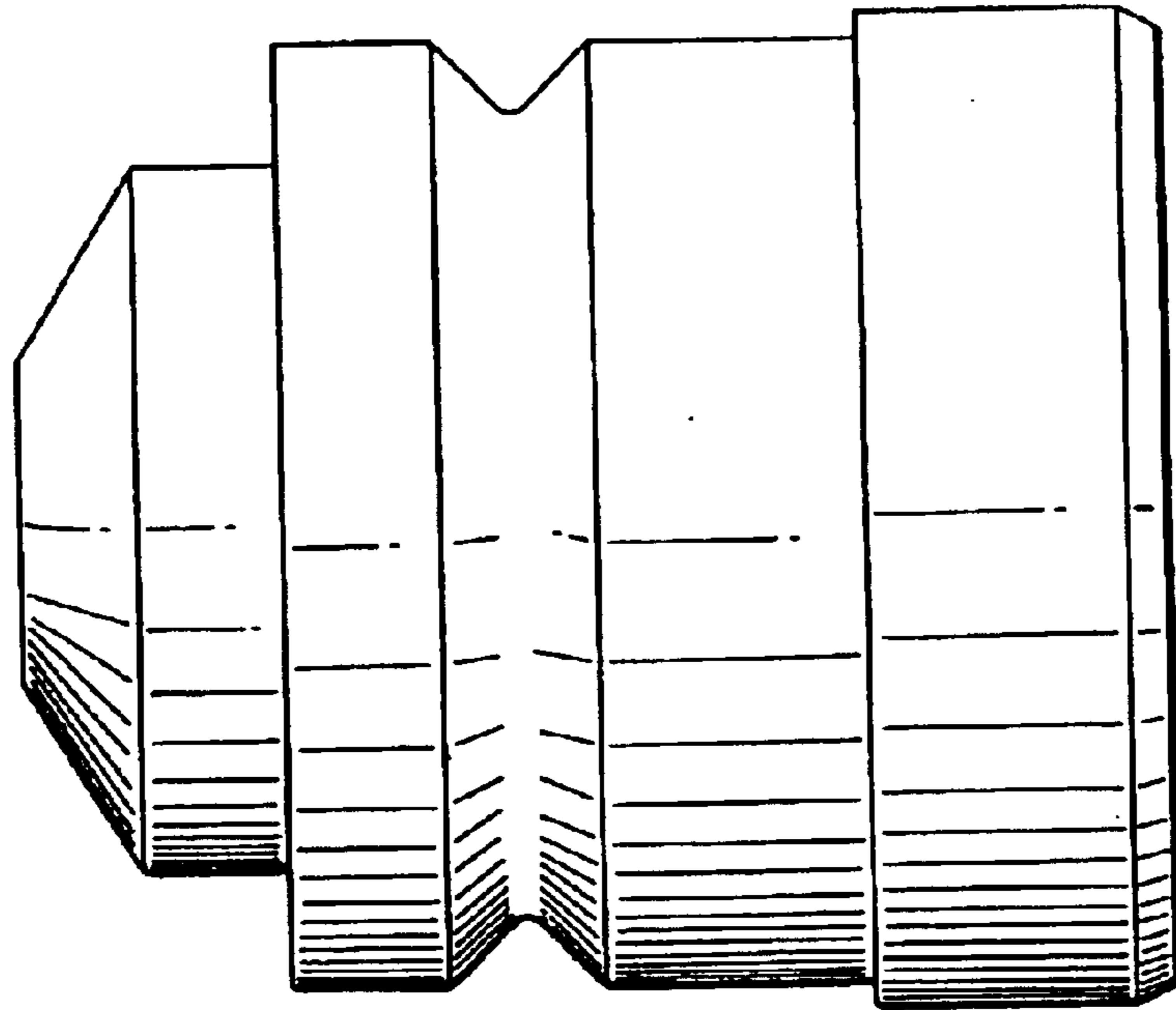


Fig. 4

