

US00D500061S

(12) **United States Design Patent**
Laporte

(10) **Patent No.:** **US D500,061 S**

(45) **Date of Patent:** **** Dec. 21, 2004**

(54) **ARM FOR USE IN A COMPACTING MECHANISM FOR USE WITH A REFUSE CONTAINER**

(75) Inventor: **Yvan Laporte**, Longueuil (CA)

(73) Assignee: **Garbage Genie Concept 2000 Limited**, Dublin (IE)

(**) Term: **14 Years**

(21) Appl. No.: **29/185,935**

(22) Filed: **Jul. 7, 2003**

(30) **Foreign Application Priority Data**

Jan. 6, 2003 (IE) 2003/0007
Jan. 6, 2003 (IE) 2003/0006

(51) **LOC (7) Cl.** **15-09**

(52) **U.S. Cl.** **D15/123**

(58) **Field of Search** D15/123; 100/229 A,
100/229 R, 901-902, 915

(56) **References Cited**

U.S. PATENT DOCUMENTS

5,069,121 A * 12/1991 Fletcher 100/137
6,305,278 B1 * 10/2001 Freeberg 100/100

* cited by examiner

Primary Examiner—Antoine D. Davis

(74) *Attorney, Agent, or Firm*—Porter Wright Morris & Arthur LLP

(57) **CLAIM**

The ornamental design for an arm for use in a compacting mechanism for use with a refuse container, as shown and described.

DESCRIPTION

FIG. 1 is a perspective view of an arm for use in a compacting mechanism for use with a refuse container showing my new design;

FIG. 2 is a front elevational view of the arm for use in a compacting mechanism for use with a refuse container of FIG. 1;

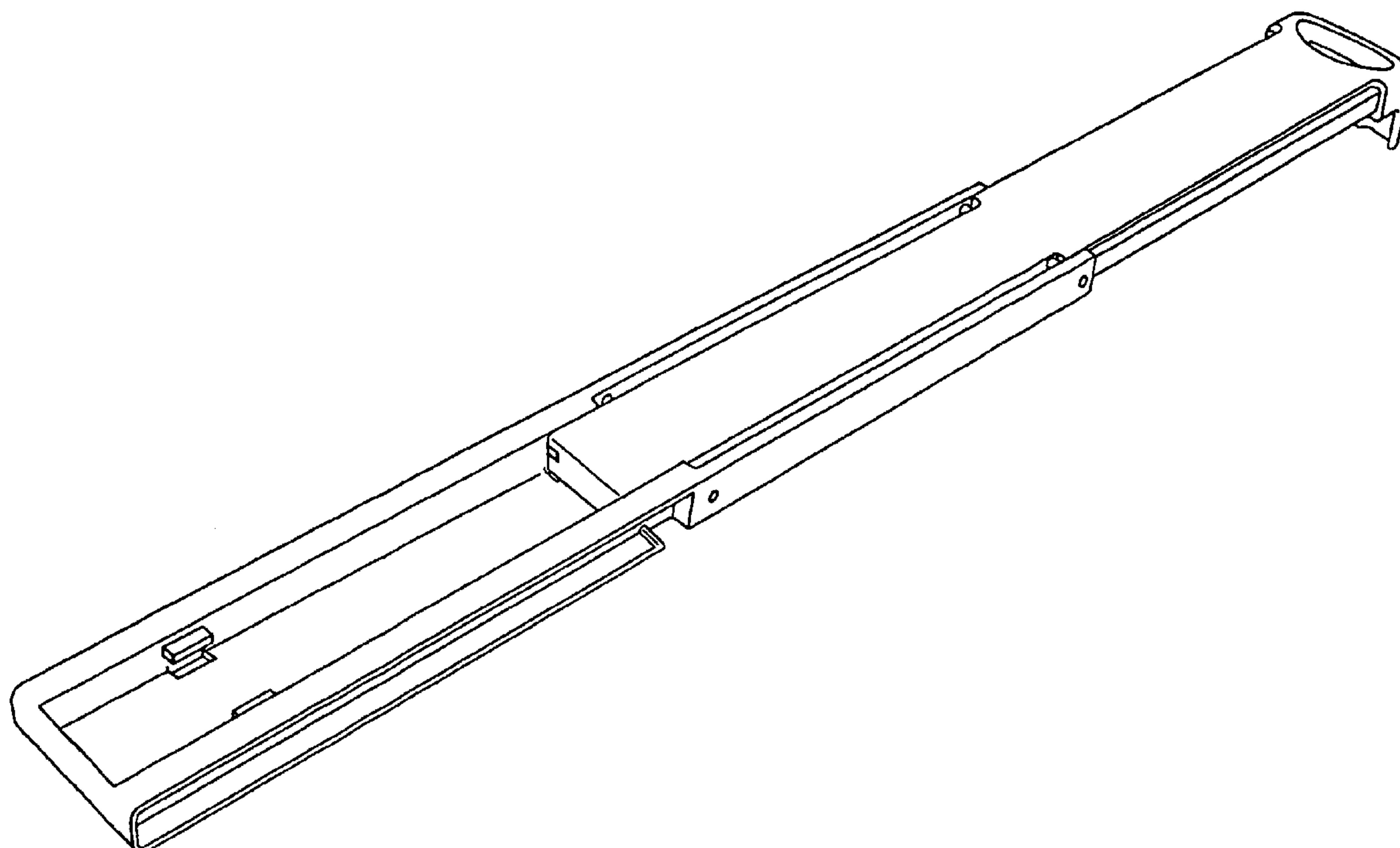
FIG. 3 is a rear elevational view of the arm for use in a compacting mechanism for use with a refuse container of FIGS. 1 and 2;

FIG. 4 is a left side elevational view of the arm for use in a compacting mechanism for use with a refuse container of FIGS. 1 to 3, the right side elevational view being a mirror image thereof;

FIG. 5 is a top plan view of the arm for use in a compacting mechanism for use with a refuse container of FIGS. 1 to 4; and,

FIG. 6 is a bottom plan view of the arm for use in a compacting mechanism for use with a refuse container of FIGS. 1 to 5.

1 Claim, 3 Drawing Sheets



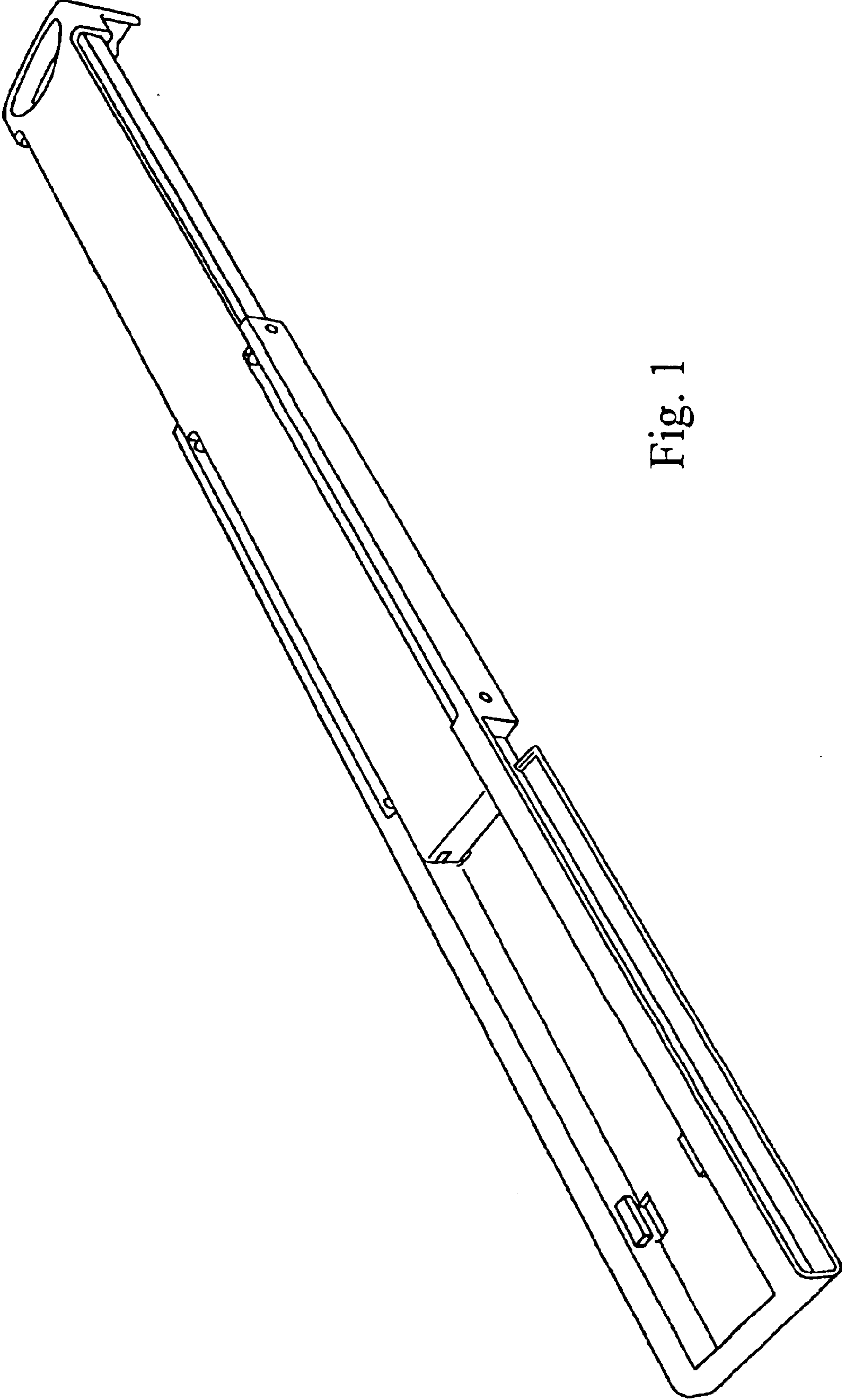


Fig. 1

Fig. 2

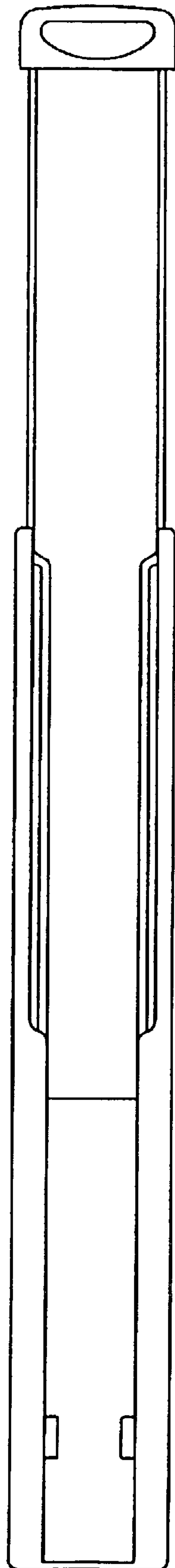


Fig. 3

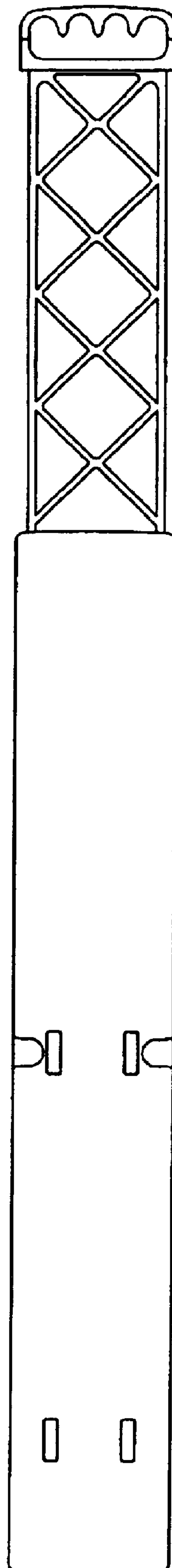


Fig. 5

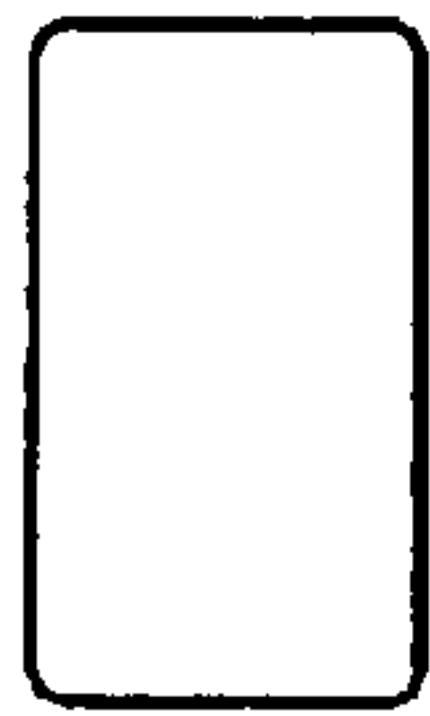


Fig. 6

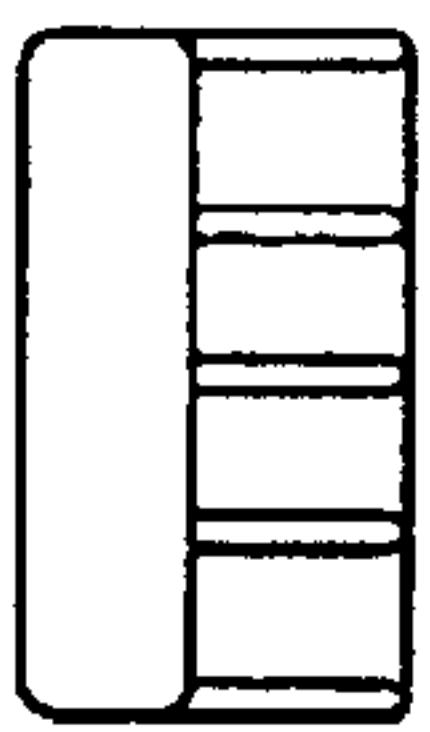


Fig. 4

