

US00D500060S

(12) **United States Design Patent**
Junkers

(10) **Patent No.: US D500,060 S**

(45) **Date of Patent: ** Dec. 21, 2004**

(54) **BOLTING MACHINE**

(76) **Inventor: John K. Junkers**, 8 Stonewall Rd.,
Saddler River, NJ (US) 07458

(**) **Term: 14 Years**

(21) **Appl. No.: 29/181,100**

(22) **Filed: May 5, 2003**

(51) **LOC (7) Cl. 15-09**

(52) **U.S. Cl. D15/123**

(58) **Field of Search D15/123; 173/52,**
173/189; 299/10

(56) **References Cited**

U.S. PATENT DOCUMENTS

3,951,215 A * 4/1976 Galis 173/189

* cited by examiner

Primary Examiner—Antoine D. Davis

(74) *Attorney, Agent, or Firm—Michael J. Striker*

(57) **CLAIM**

The ornamental design of a bolting machine, as shown and described.

DESCRIPTION

FIG. 1 is a perspective view of a bolting machine showing my new design;

FIG. 2 is a top view thereof;

FIG. 3 is a side view thereof which is a mirror image of the opposite side thereof;

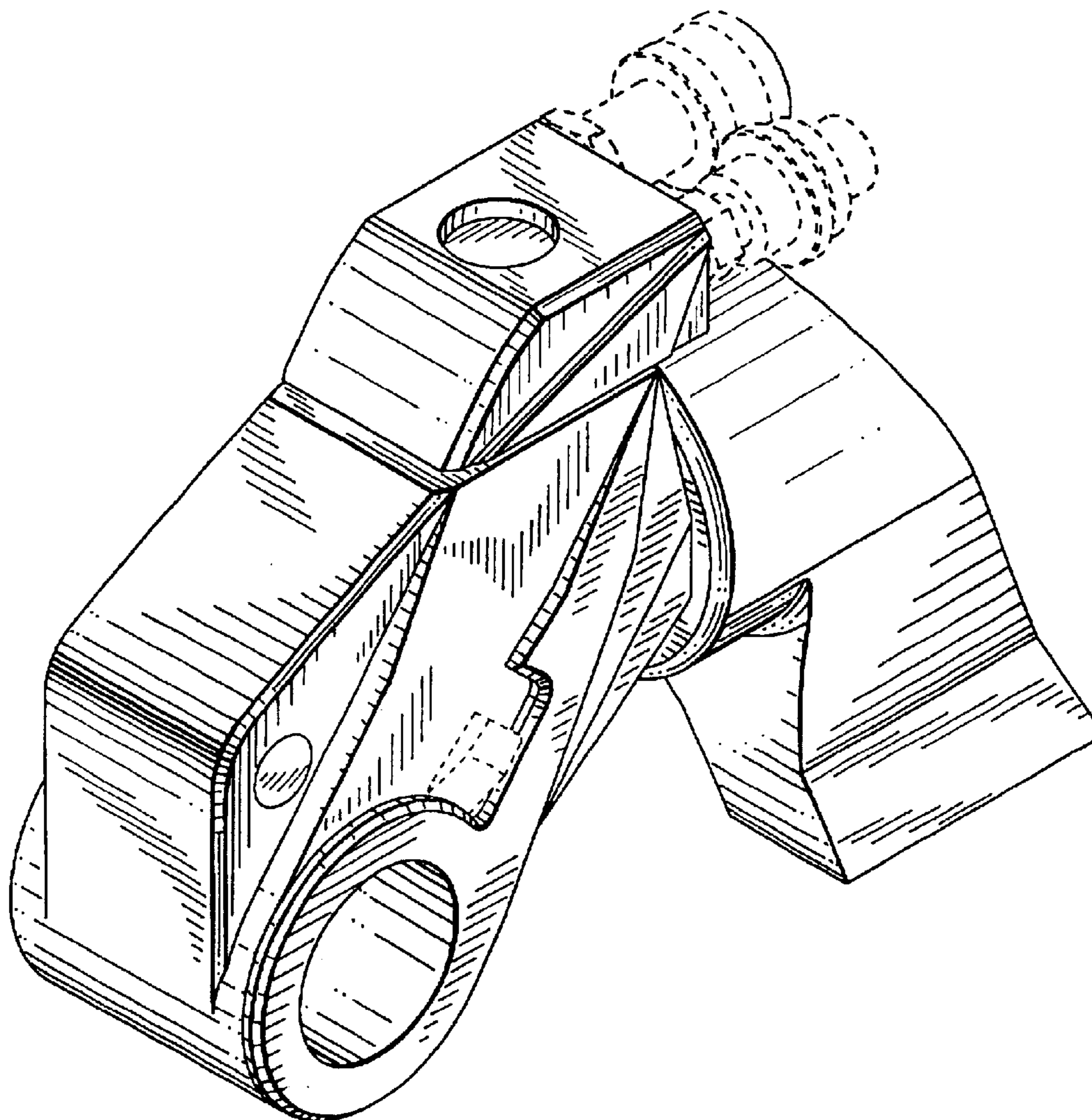
FIG. 4 is a bottom view thereof;

FIG. 5 is a front view thereof; and,

FIG. 6 is a rear view thereof.

The broken line showing is for illustrative purposes only, and forms no part of the claimed design.

1 Claim, 6 Drawing Sheets



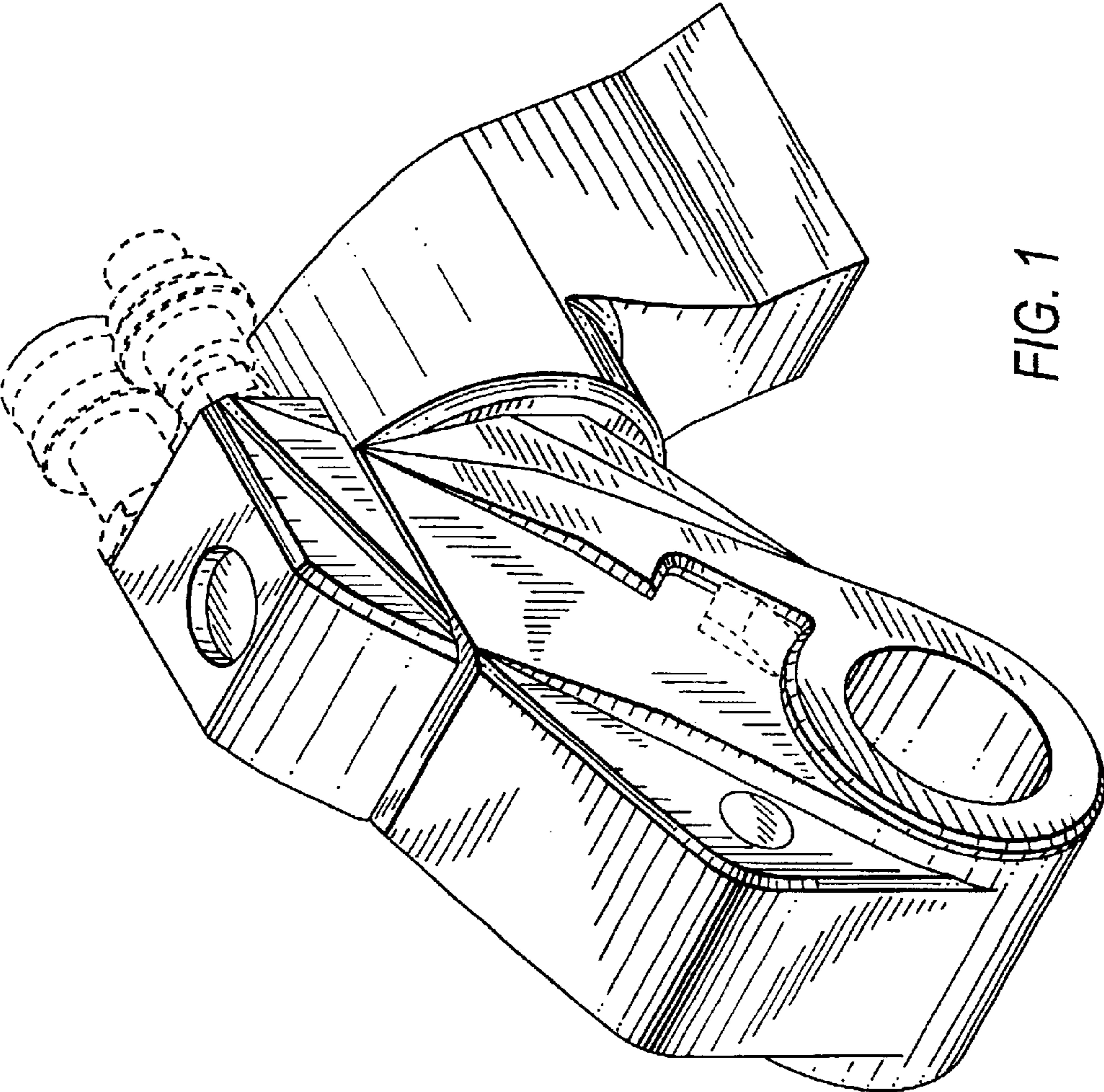


FIG. 1

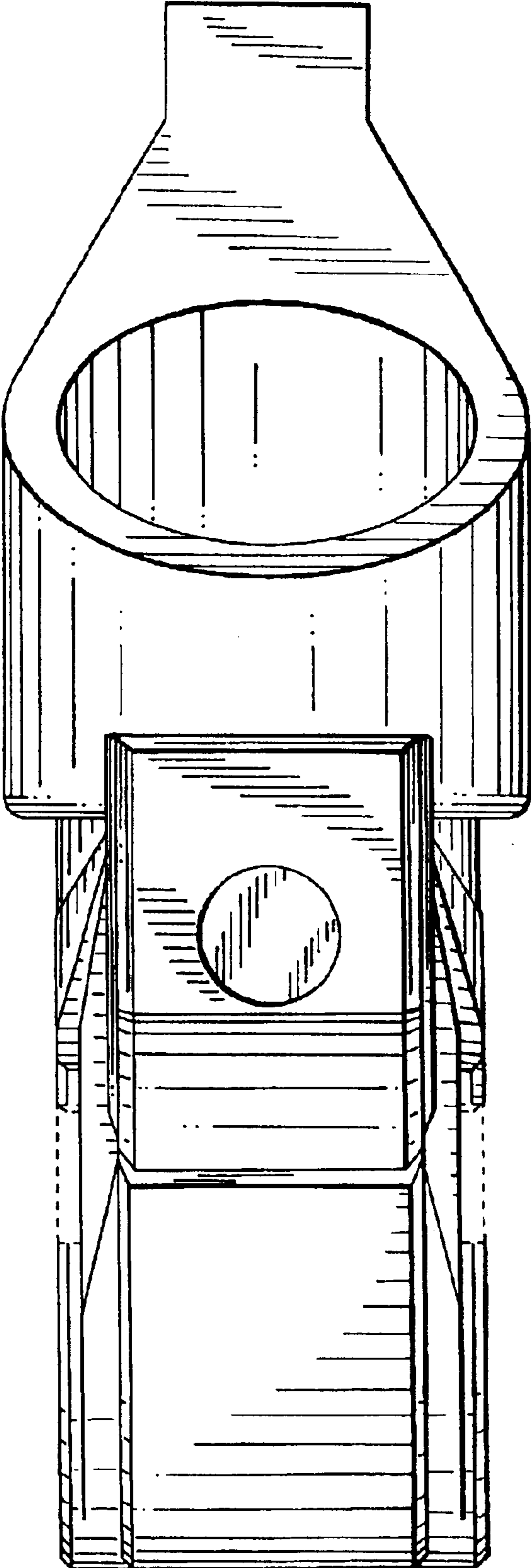


FIG. 2

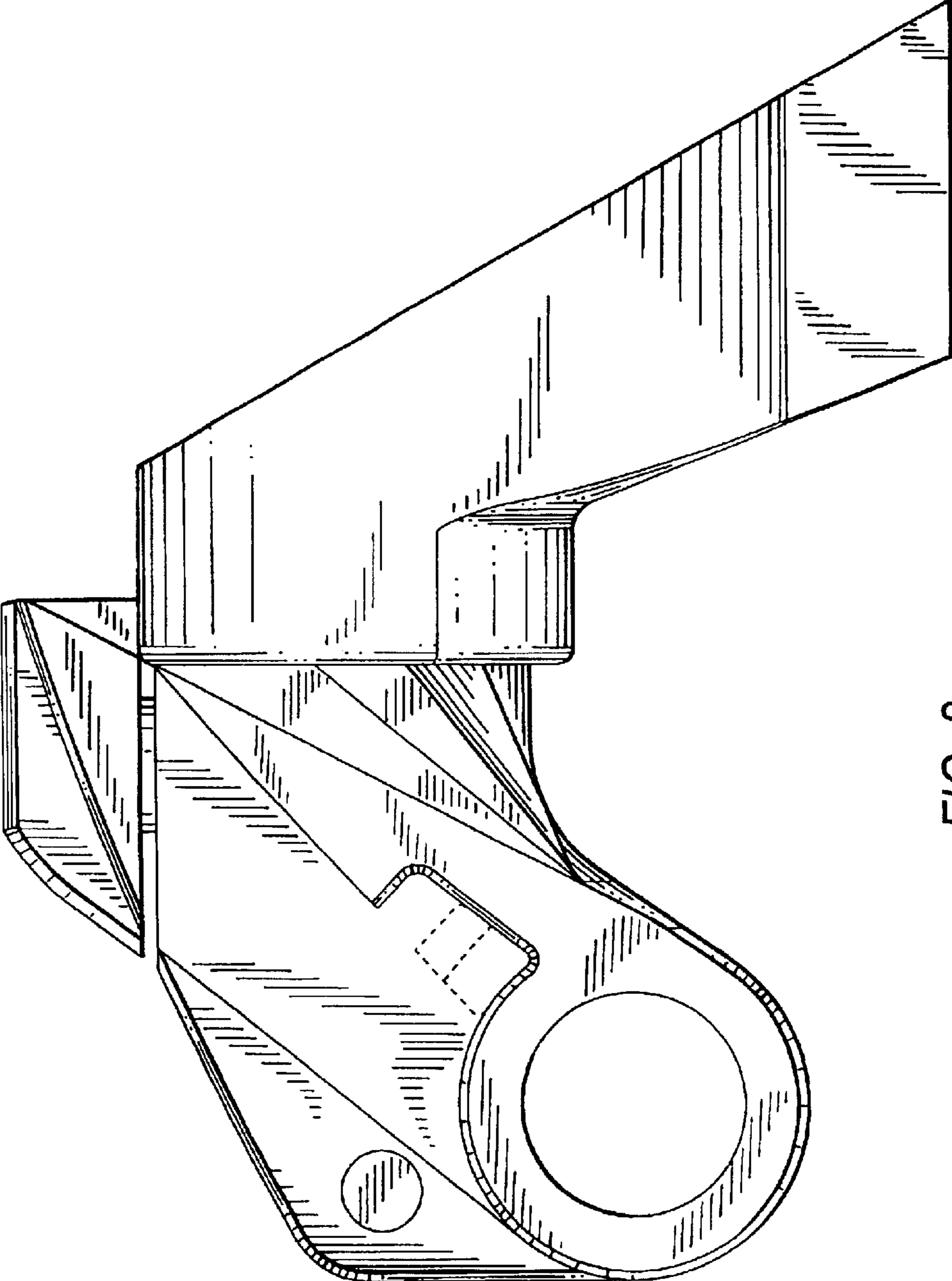


FIG. 3

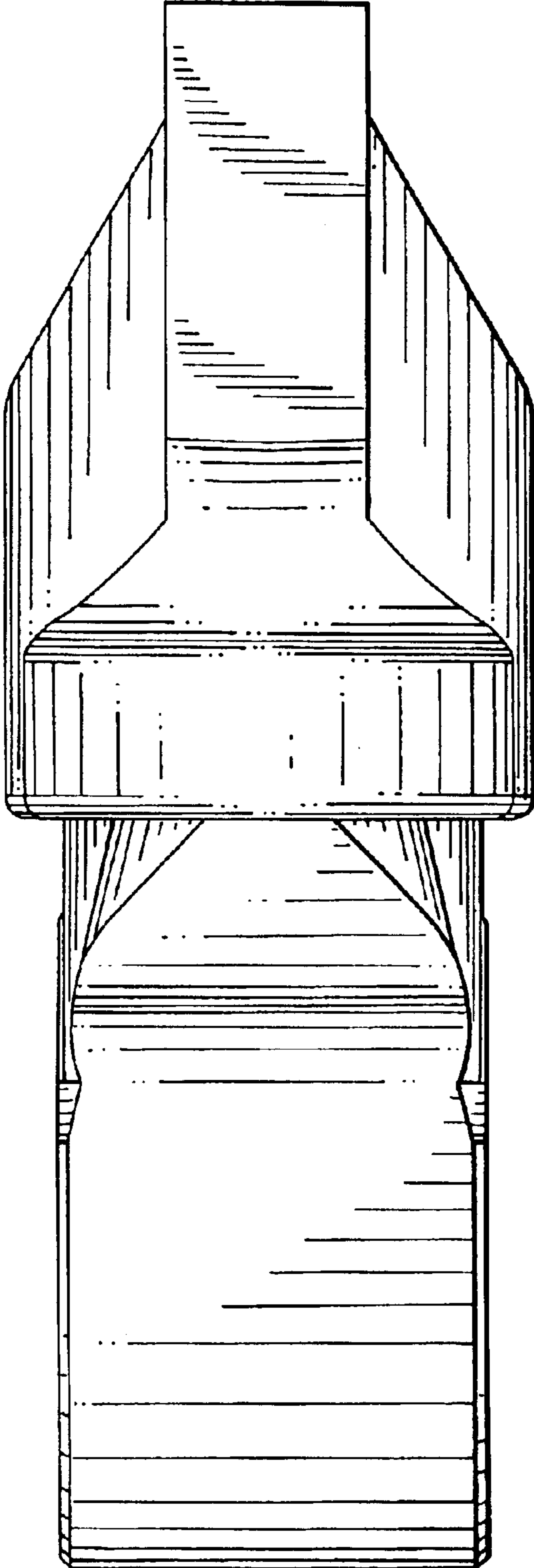


FIG. 4

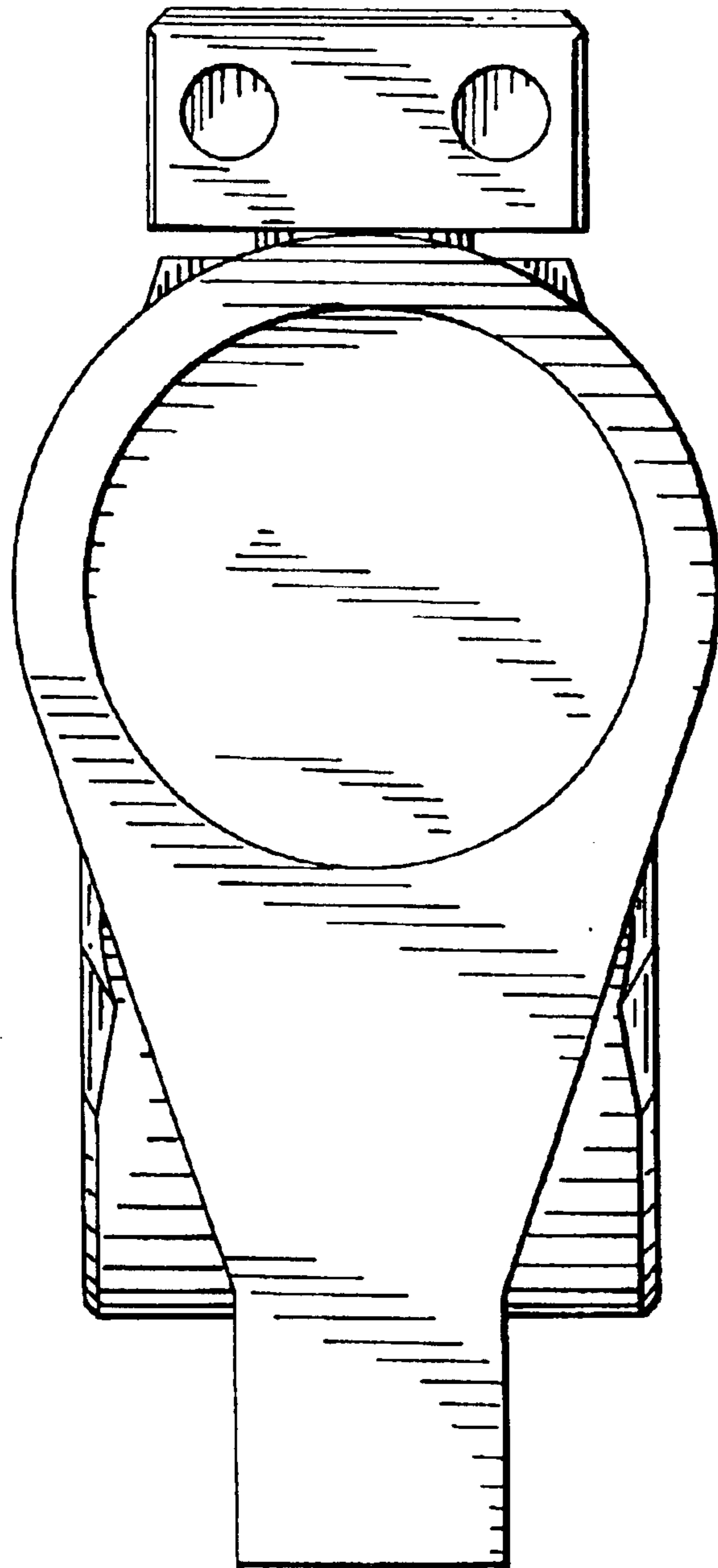


FIG. 5

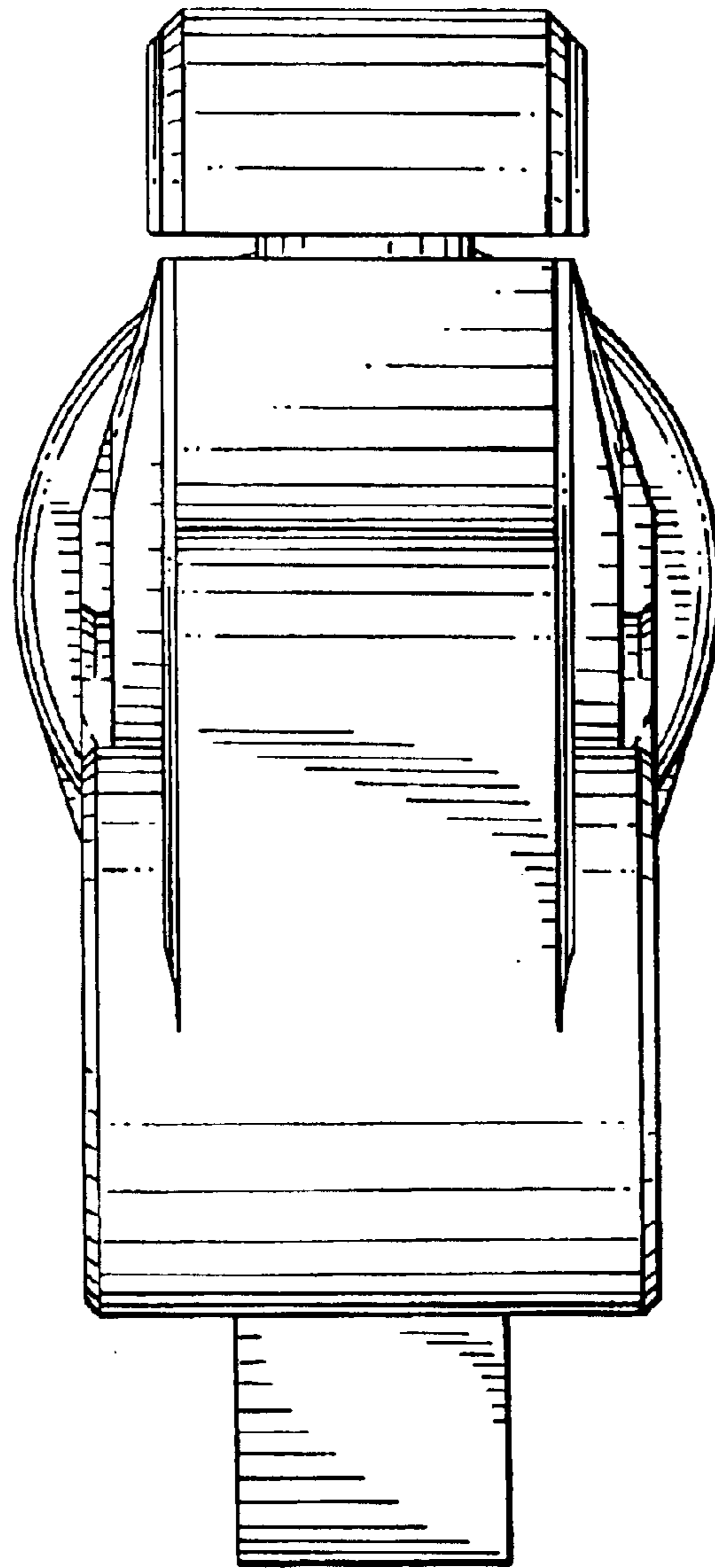


FIG. 6