

US00D500055S

(12) **United States Design Patent** (10) **Patent No.:** **US D500,055 S**
Bieker (45) **Date of Patent:** **** Dec. 21, 2004**

(54) **WATER TANK**

5,480,191 A 1/1996 Litin et al.
5,564,886 A * 10/1996 Emerson et al. 414/725
6,206,252 B1 * 3/2001 Broadus 222/608

(76) **Inventor:** **Stephen P. Bieker**, 12915 SE.
Ridgecrest Dr., Portland, OR (US)
97236

OTHER PUBLICATIONS

(**) **Term:** **14 Years**

Bobcat, product literature entitled "Attachment for Loaders" (8 pages) (date unknown).

(21) **Appl. No.:** **29/187,365**

Drawings of original water tank design shaped to fit within the hopper of a bobcat skid-steer loader) by inventor, pp. 1-3, publicly used prior to Jan. 17, 2001.

(22) **Filed:** **Jul. 30, 2003**

Co-pending U.S. patent application Ser. No. 10/052,859, filed on Jan. 17, 2002.

(51) **LOC (7) Cl.** **15-03**

Co-pending U.S. patent application Ser. No. 10/631,447, filed on Jul. 30, 2002.

(52) **U.S. Cl.** **D15/28**

(58) **Field of Search** D15/10, 22-26,
D15/28; 37/442, 403; 111/118; 239/172,
289, 722; 414/725, 912; 222/608

* cited by examiner

(56) **References Cited**

Primary Examiner—Mitchell Siegel

(74) *Attorney, Agent, or Firm*—Klarquist Sparkman LLP

U.S. PATENT DOCUMENTS

(57) **CLAIM**

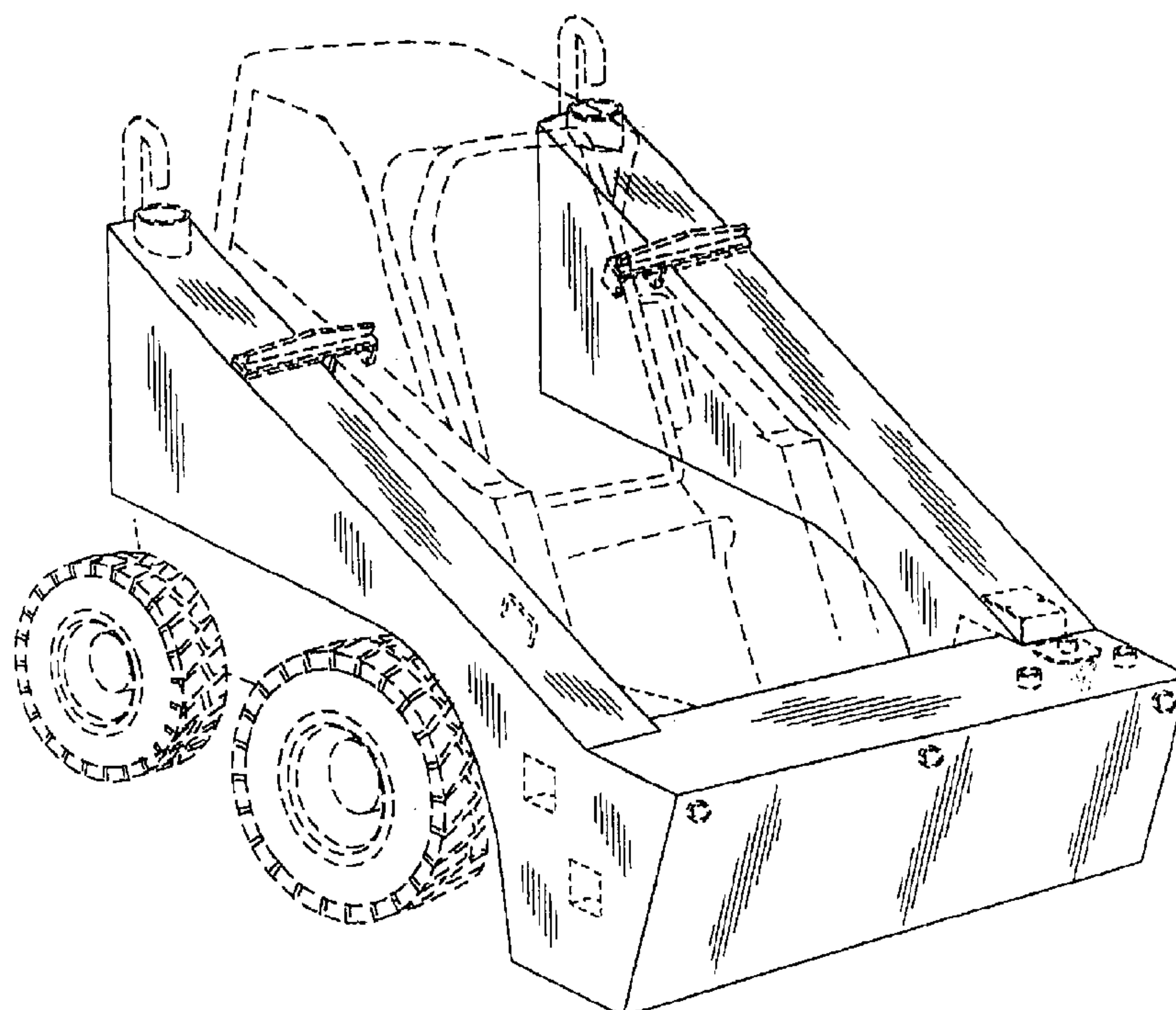
882,098 A	3/1908	Chial	
1,128,856 A	2/1915	Cornwall et al.	
1,506,652 A	8/1924	Maker	
3,263,865 A	8/1966	Kachnik	
3,393,835 A	7/1968	Kantor et al.	
D224,588 S	* 8/1972	Bauer	D15/23
3,797,743 A	3/1974	Kommers et al.	
4,089,446 A	5/1978	Logan, II et al.	
D294,032 S	* 2/1988	Whiffin	D15/25
4,723,710 A	2/1988	Lucore, II	
D314,389 S	* 2/1991	Lynnes et al.	D15/25
D317,926 S	* 7/1991	Lynnes et al.	D15/25
5,098,019 A	3/1992	Landefeld	
5,199,196 A	* 4/1993	Straley	37/442
5,318,314 A	6/1994	Cyphers et al.	
D359,497 S	* 6/1995	Rayner	D15/25

I claim the ornamental design for a water tank, as shown and described.

DESCRIPTION

FIG. 1 is a perspective view of a water tank embodying my new design, which is shown mounted on a loader.
FIG. 2 is a bottom plan view of the water tank of FIG. 1.
FIG. 3 is a top plan view of the water tank of FIG. 1.
FIG. 4 is a side elevation view of the water tank of FIG. 1.
FIG. 5 is a front elevation view of the water tank of FIG. 1; and,
FIG. 6 is a rear elevation view of the water tank of FIG. 1.

1 Claim, 3 Drawing Sheets



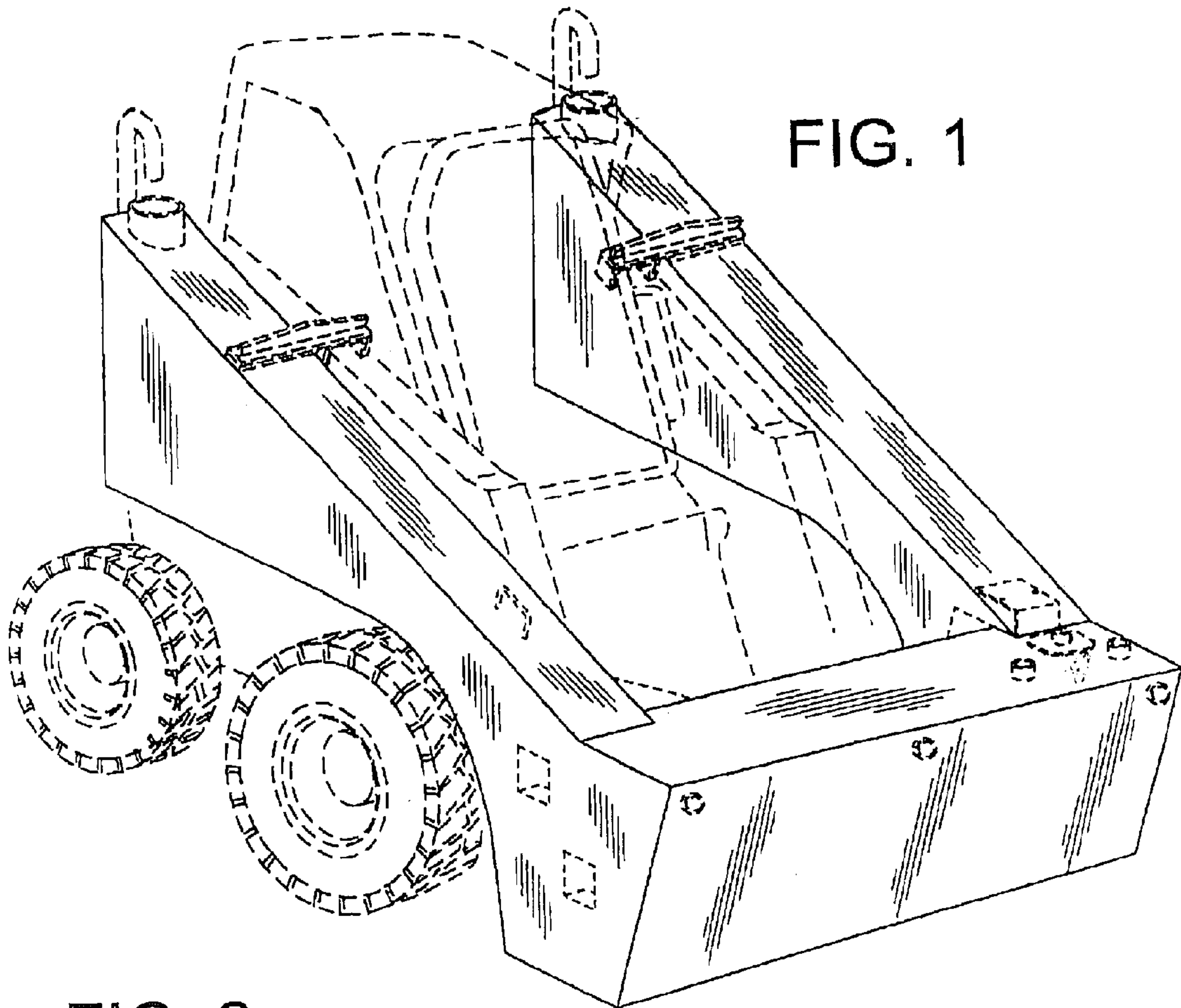
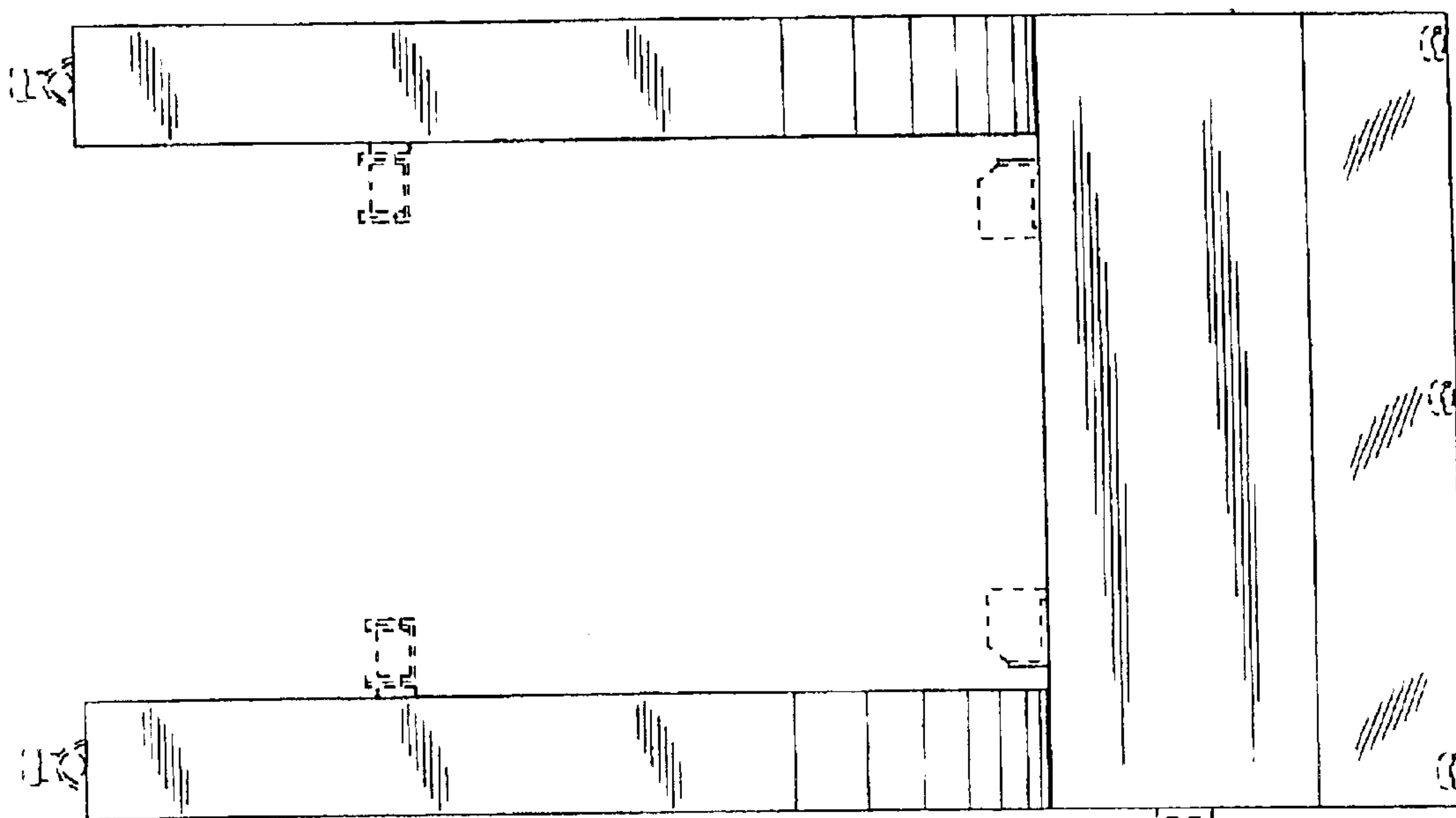


FIG. 1

FIG. 2



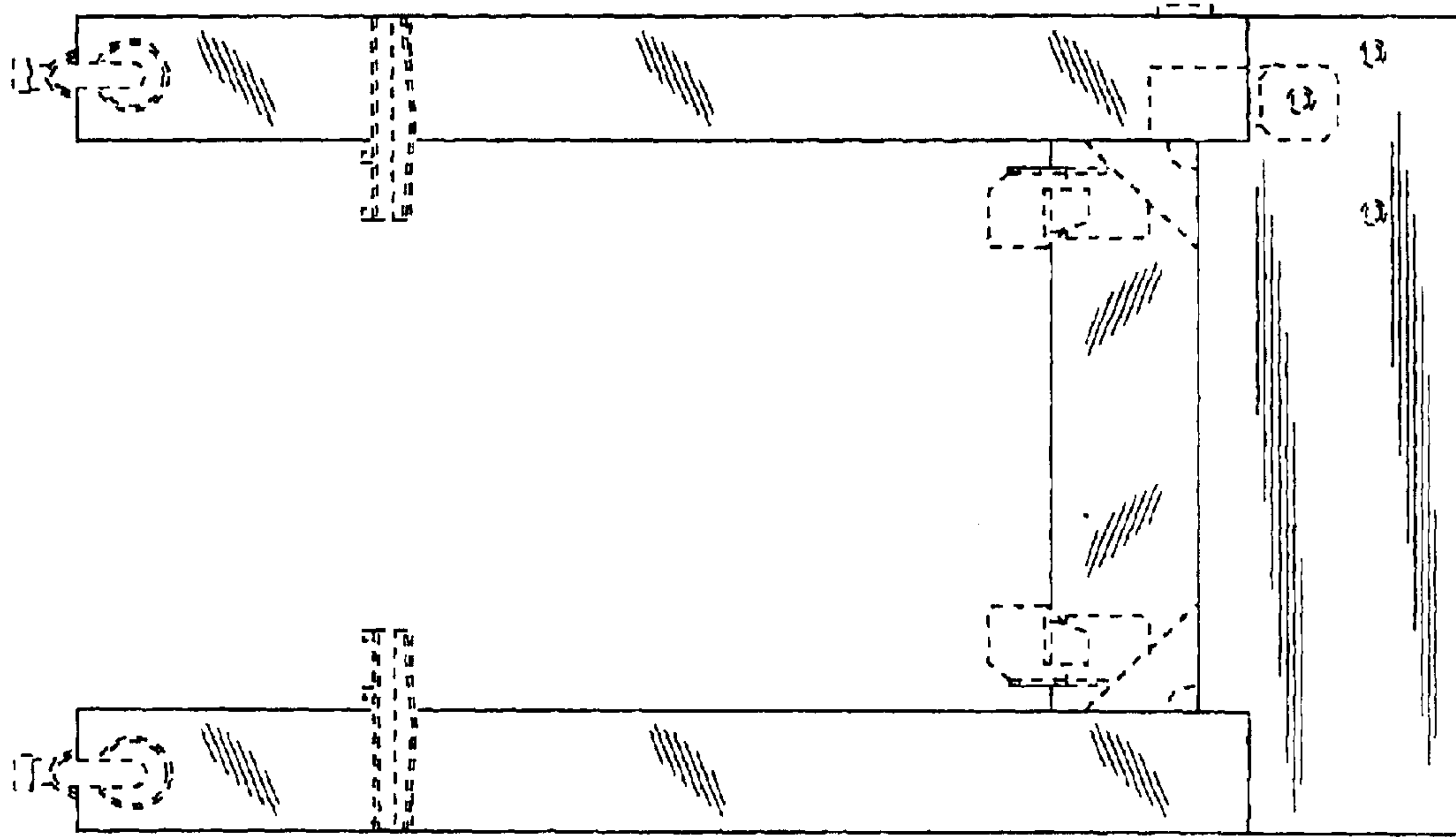


FIG. 3

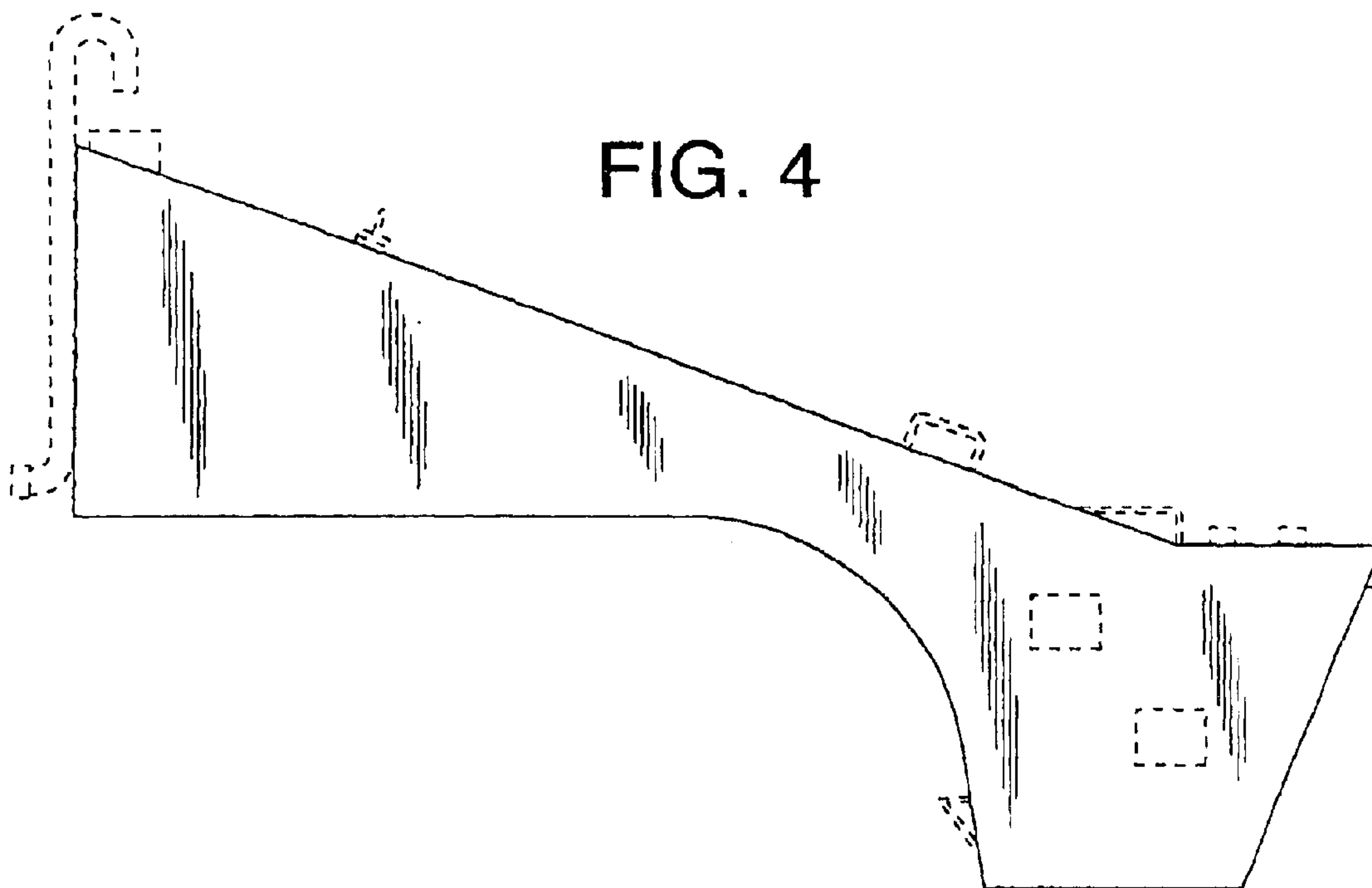


FIG. 4

FIG. 5

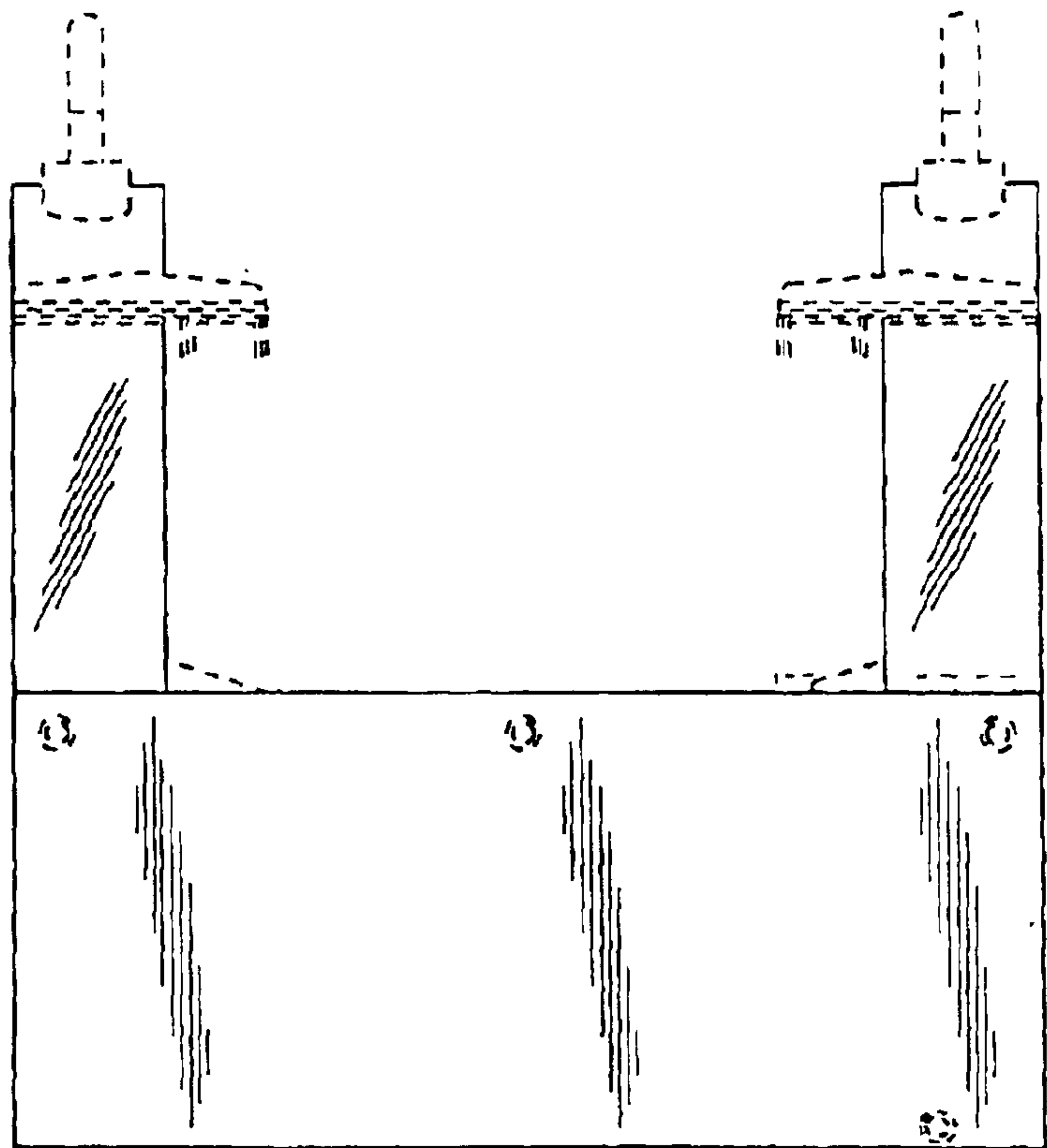


FIG. 6

