

US00D500054S

(12) **United States Design Patent**  
**Jager**

(10) **Patent No.:** **US D500,054 S**

(45) **Date of Patent:** **\*\* Dec. 21, 2004**

(54) **LAWNMOWER**

(76) **Inventor:** **Willem Jager**, 1320 Rider Road,  
Breslau Ontario (CA), N0B 1M0

(\*\*) **Term:** **14 Years**

(21) **Appl. No.:** **29/194,567**

(22) **Filed:** **Nov. 28, 2003**

(30) **Foreign Application Priority Data**

May 28, 2003 (CA) ..... 103189

(51) **LOC (7) Cl.** ..... **15-03**

(52) **U.S. Cl.** ..... **D15/14**

(58) **Field of Search** ..... D15/14-18; 56/10.2,  
56/11.9, 12.2, 13.4, 13.7, 16.6, 202, 255,  
294, 295, 320.1

(56) **References Cited**

**U.S. PATENT DOCUMENTS**

D191,524 S	*	10/1961	Irgens	.....	D15/14
D207,721 S	*	5/1967	Stewart	.....	D15/14
D290,859 S		7/1987	Nagode et al.		
D309,311 S		7/1990	Jones et al.		
D330,210 S		10/1992	Sirois et al.		

D347,640 S		6/1994	Chunn et al.		
D359,291 S	*	6/1995	Tihonovich	.....	D15/14
D458,612 S	*	6/2002	Scott et al.	.....	D15/14

\* cited by examiner

*Primary Examiner*—Mitchell Siegel

(74) *Attorney, Agent, or Firm*—Riches, McKenzie & Herbert LLP

(57) **CLAIM**

I claim the ornamental design for a lawnmower, as shown.

**DESCRIPTION**

FIG. 1 is a pictorial view of a lawnmower in accordance with the present invention;

FIG. 2 is a left-hand side elevation view of the lawnmower of FIG. 1;

FIG. 3 is a top view of the lawnmower of FIG. 1;

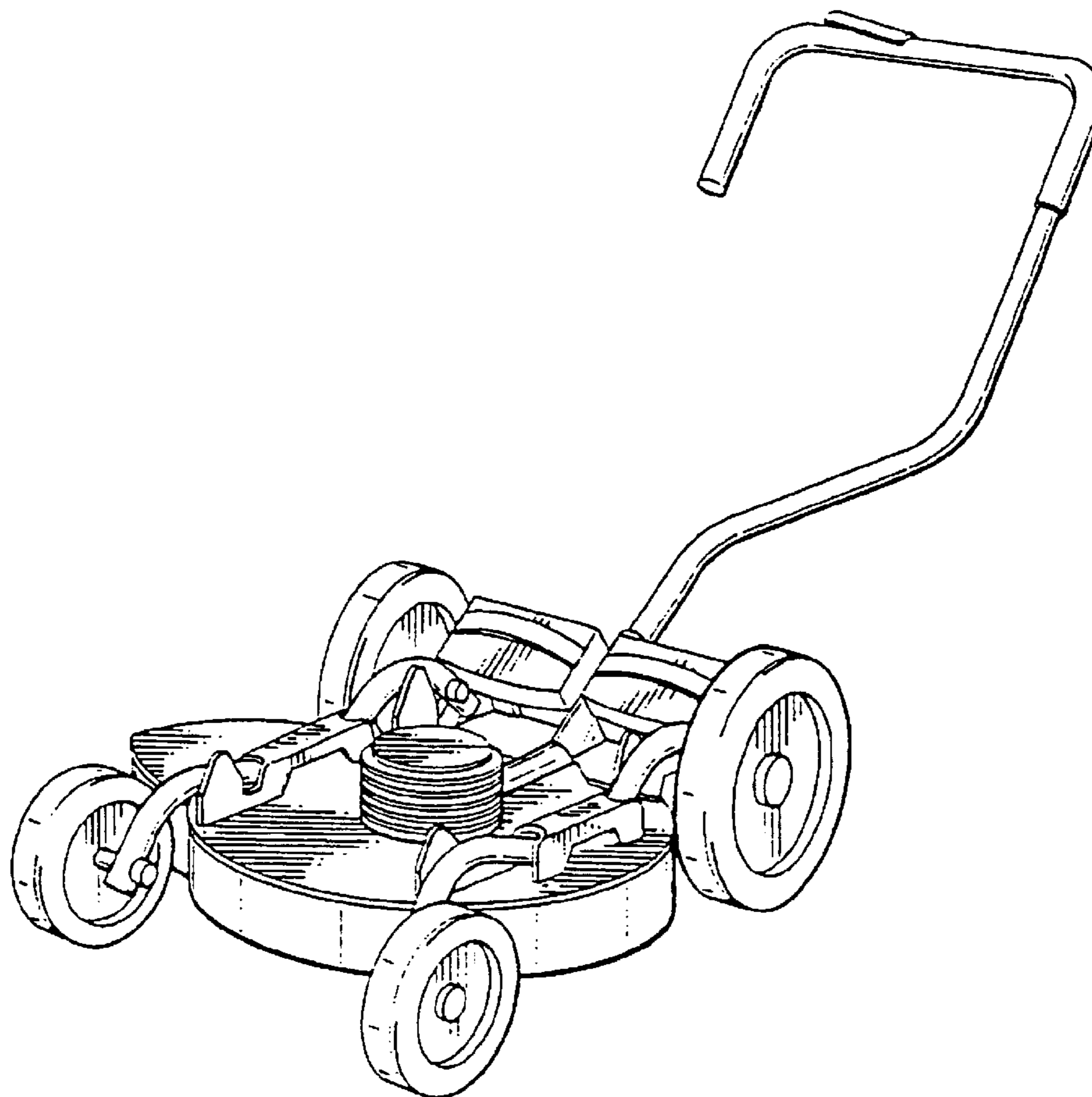
FIG. 4 is a front elevation view of the lawnmower of FIG. 1;

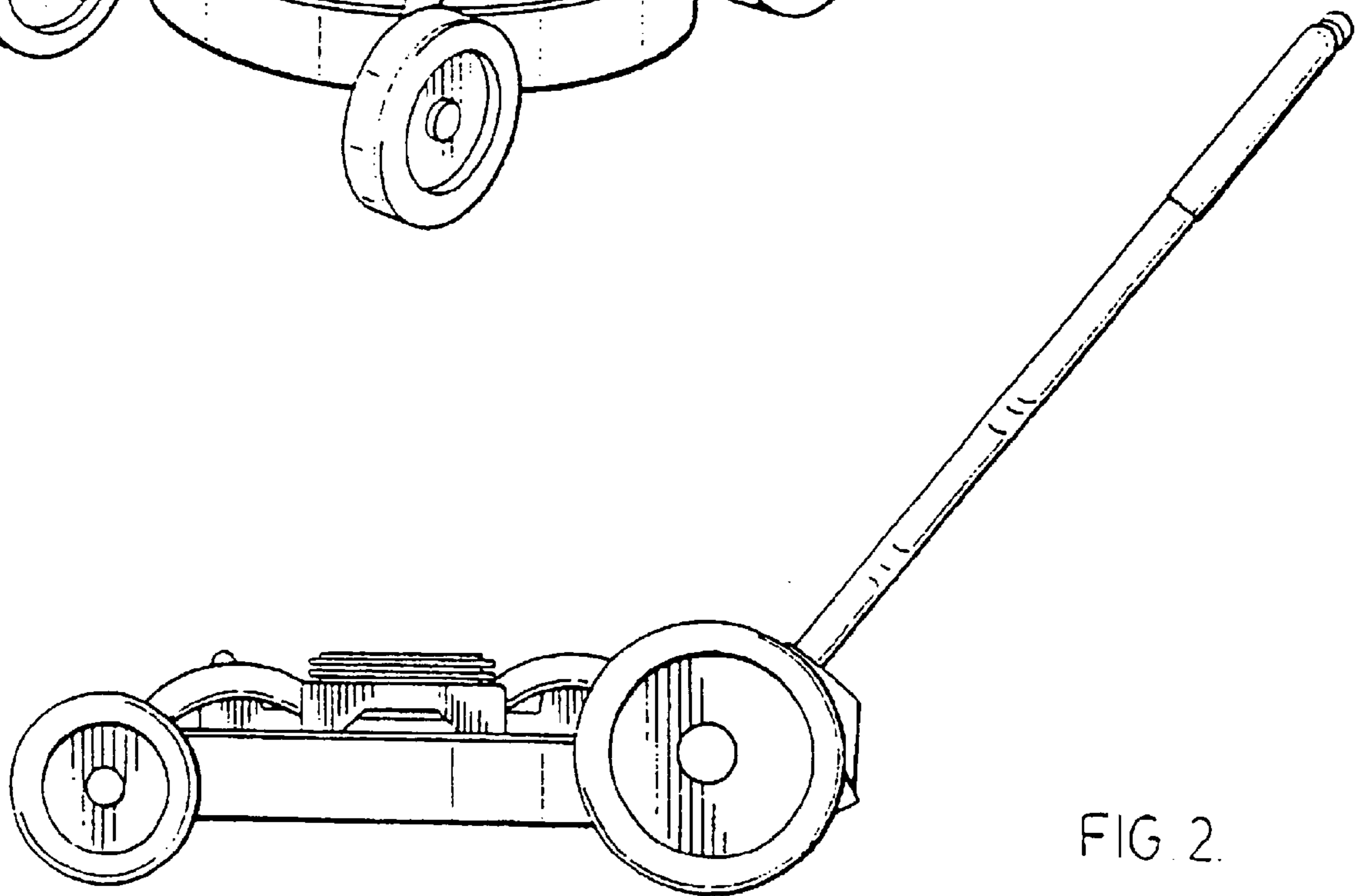
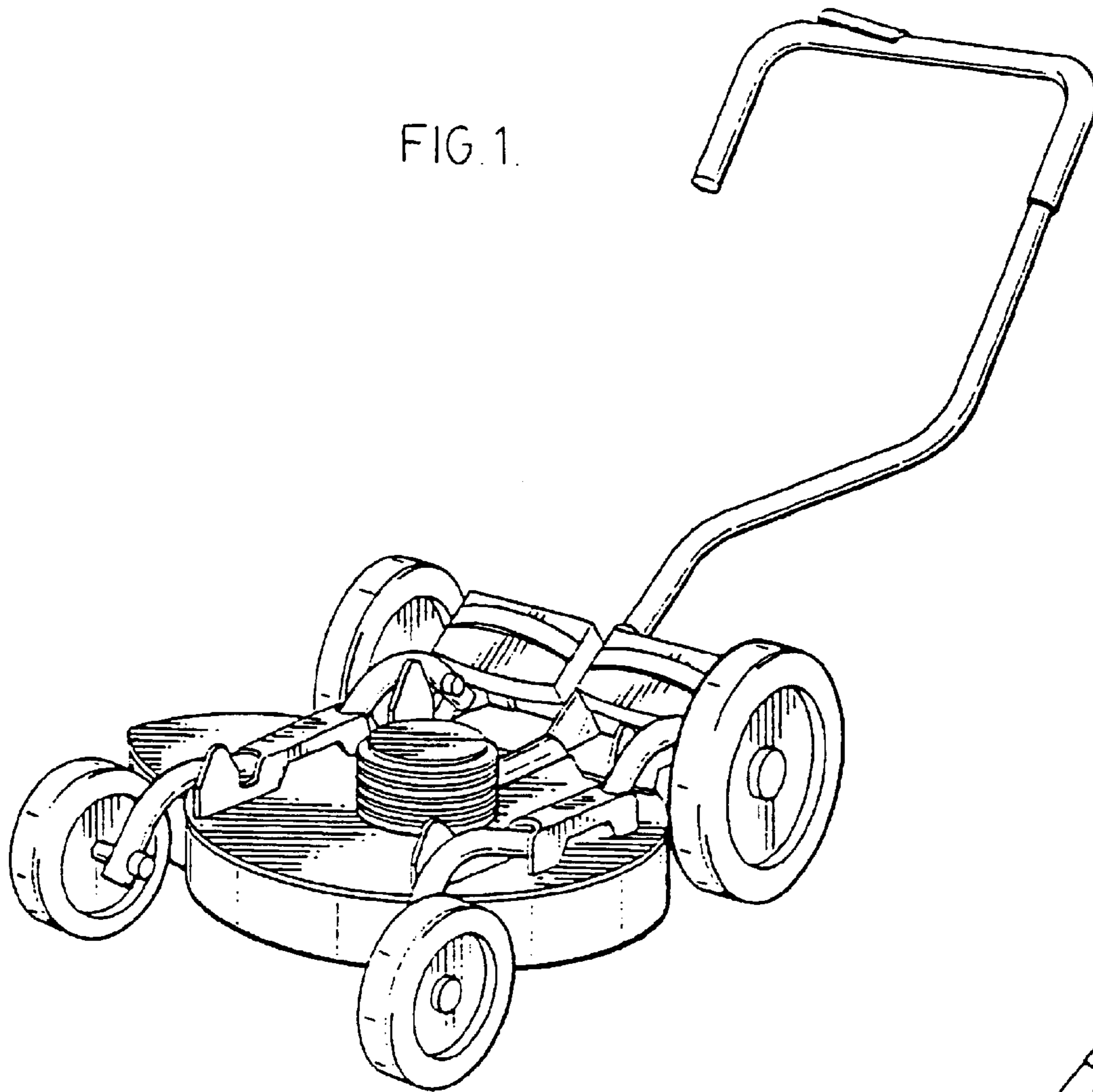
FIG. 5 is a right-hand side elevation view of the lawnmower of FIG. 1;

FIG. 6 is a rear elevation view of the lawnmower of FIG. 1; and,

FIG. 7 is a bottom view of the lawnmower of FIG. 1.

**1 Claim, 4 Drawing Sheets**





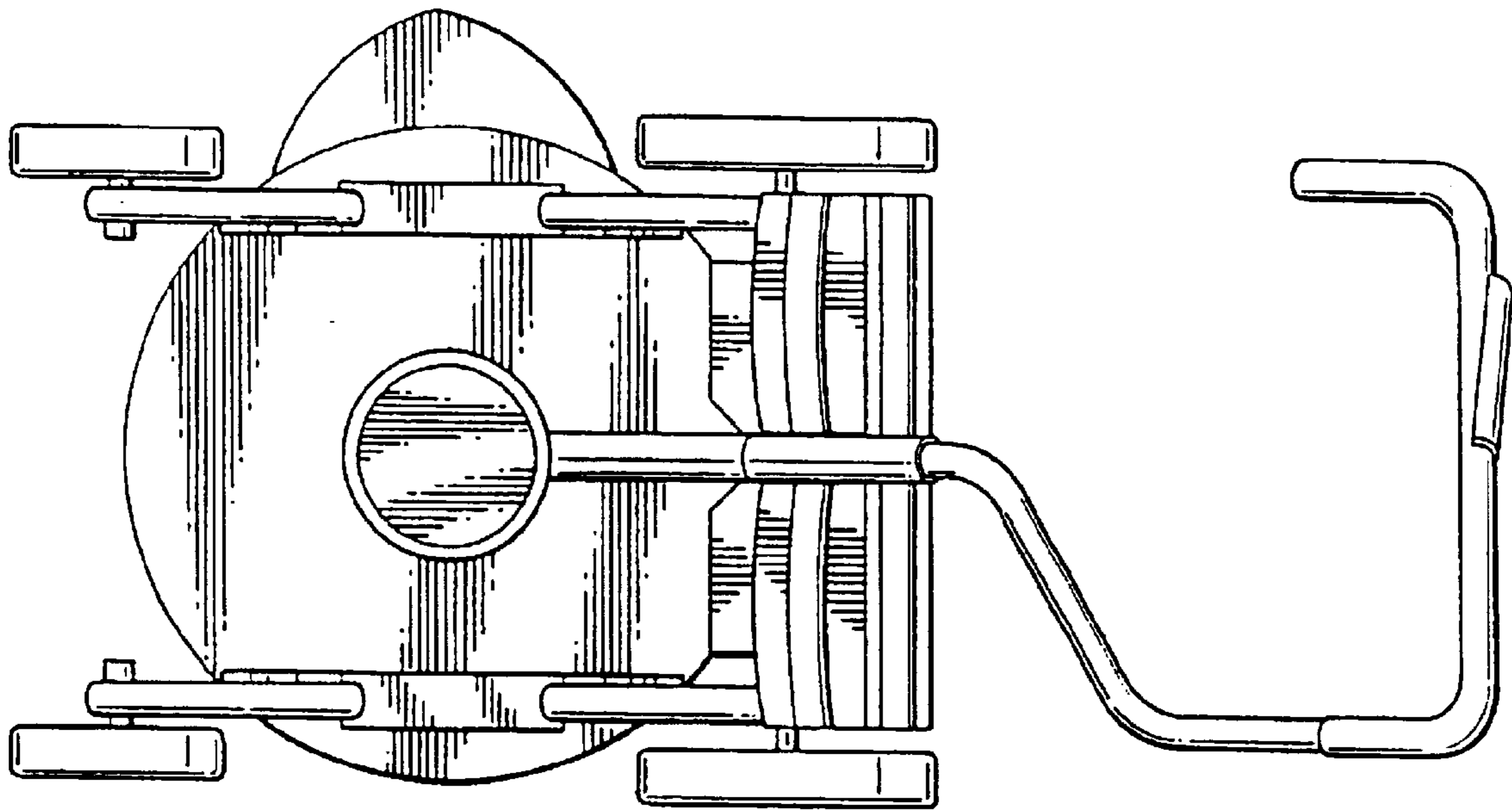


FIG. 3.

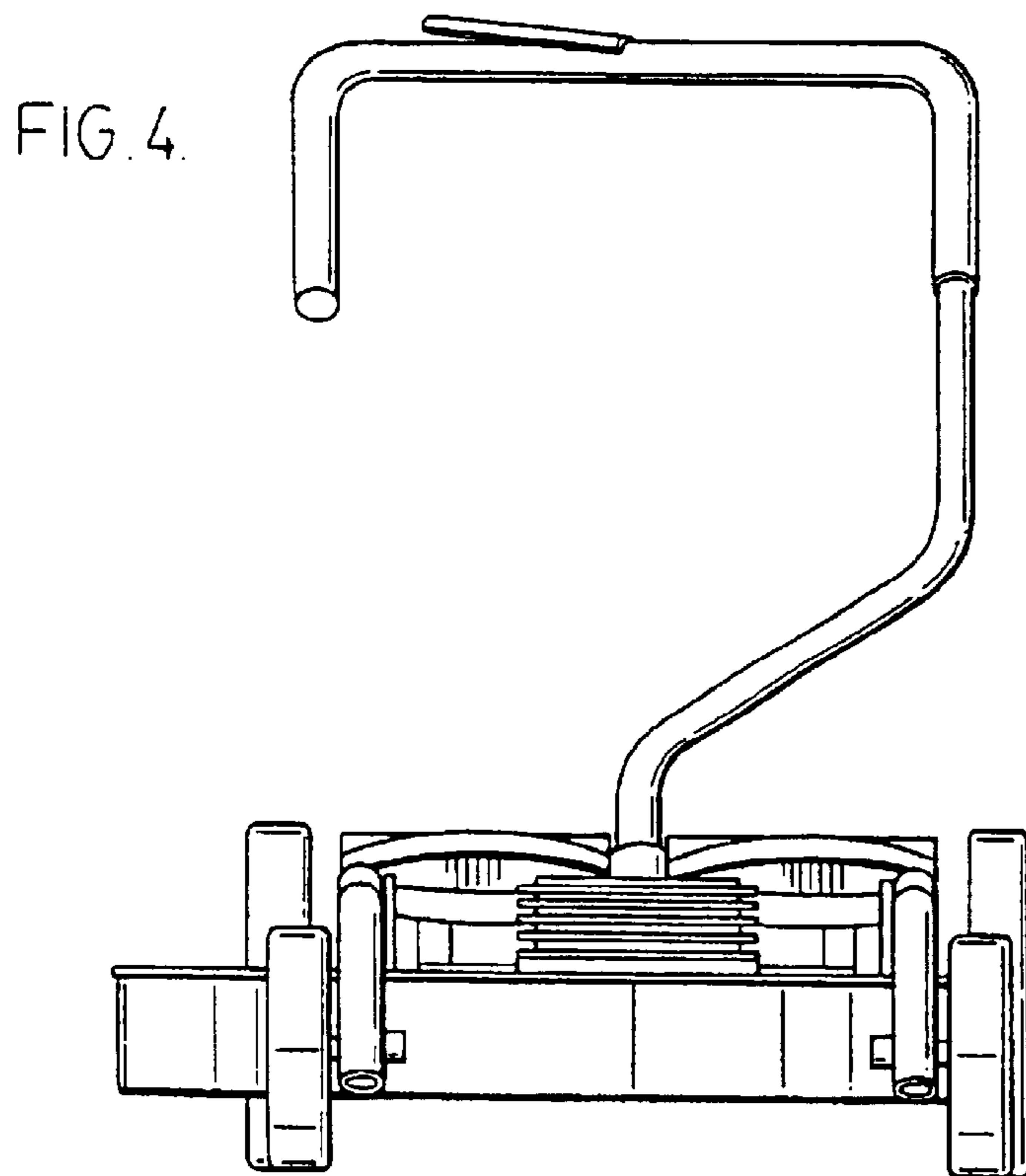


FIG. 4.

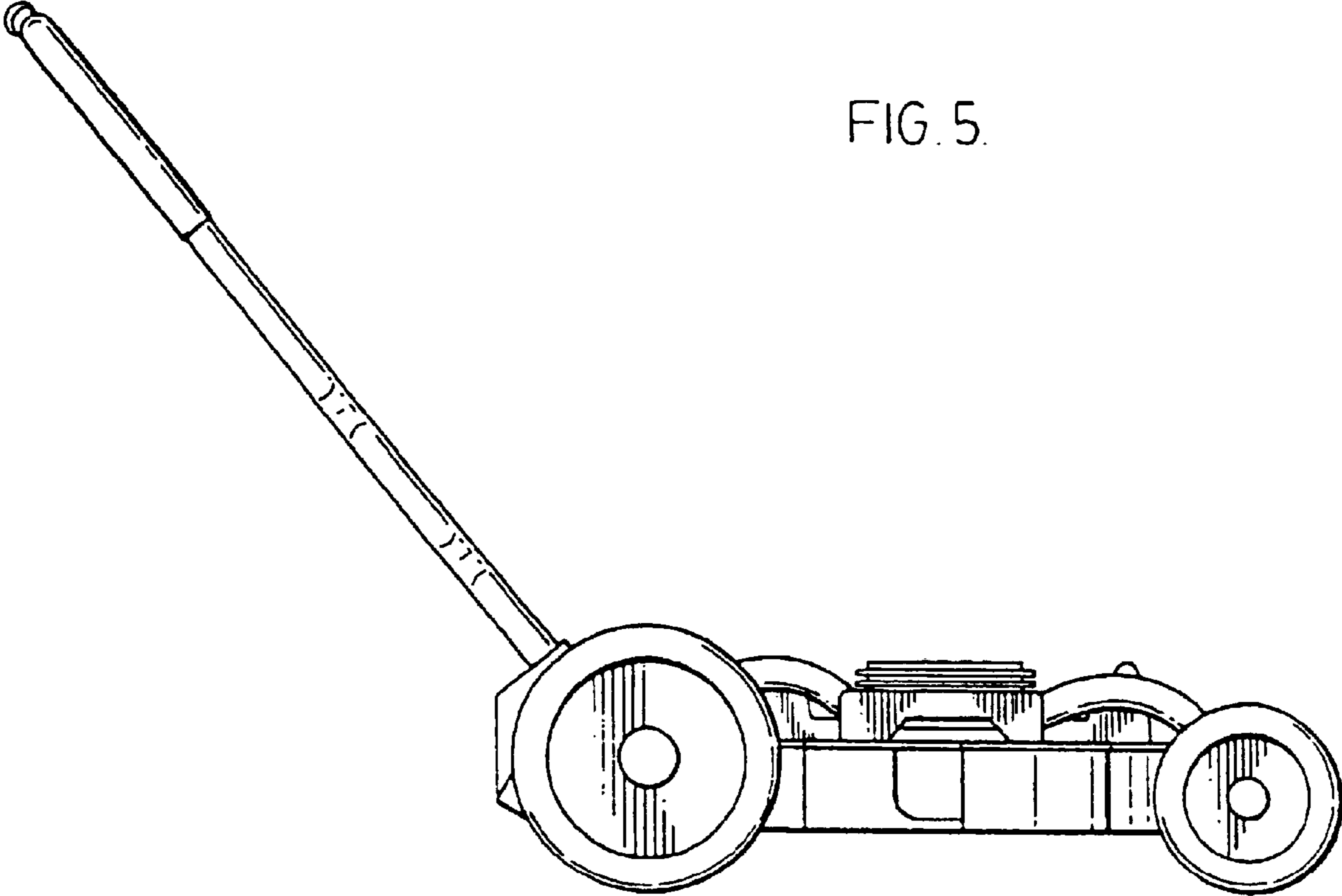


FIG. 5.

FIG. 6.

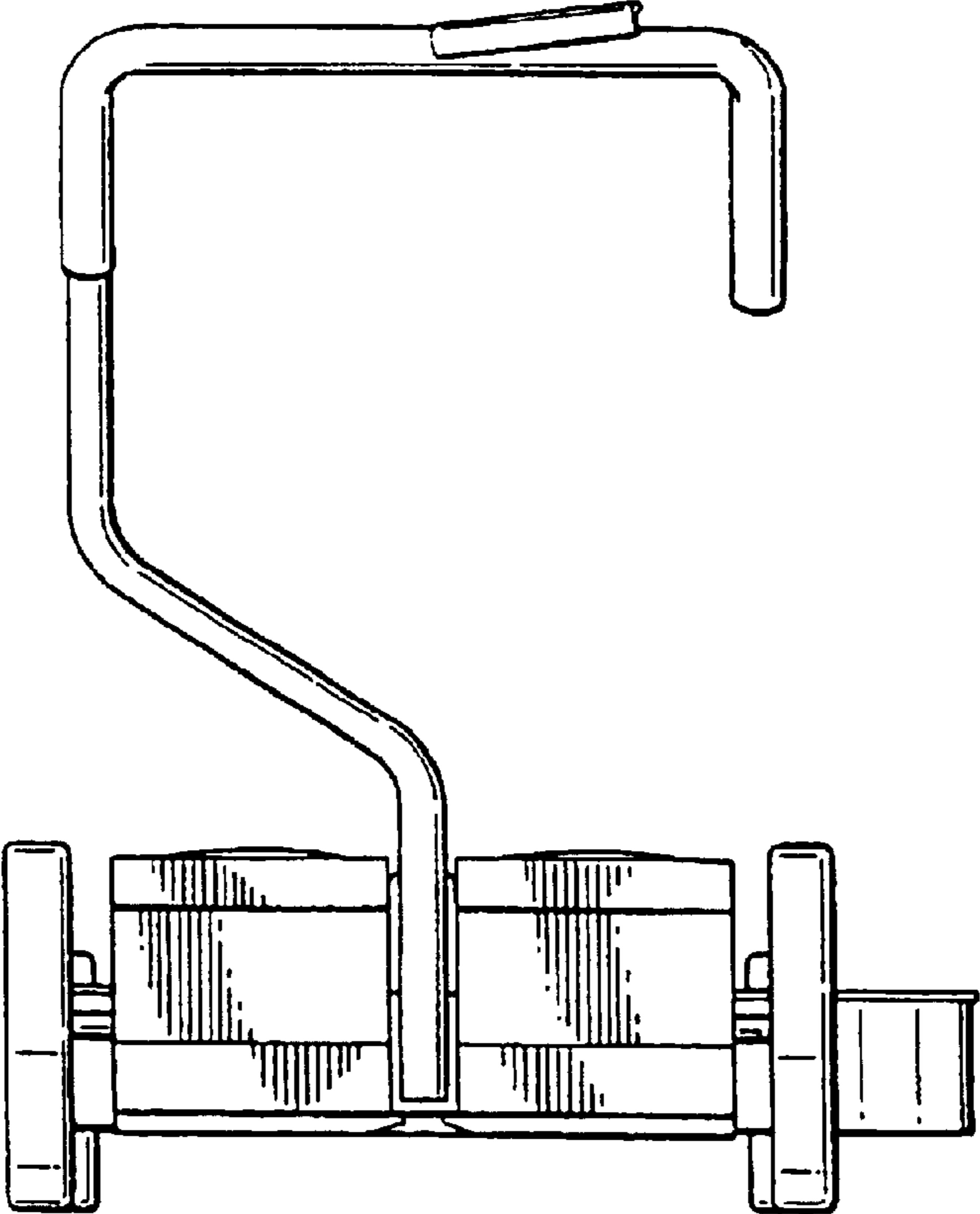


FIG. 7.

