

US00D500052S

(12) **United States Design Patent**
Lucchi

(10) **Patent No.:** **US D500,052 S**

(45) **Date of Patent:** **** Dec. 21, 2004**

(54) **PORTABLE AIR COMPRESSOR**

(75) **Inventor:** **Fabio Lucchi, Sasso Marconi (IT)**

(73) **Assignee:** **F.I.A.C. S.p.A., Bologna (IT)**

(**) **Term:** **14 Years**

(21) **Appl. No.:** **29/193,576**

(22) **Filed:** **Nov. 12, 2003**

(30) **Foreign Application Priority Data**

May 12, 2003 (IT) BO2003O0031

(51) **LOC (7) Cl.** **15-02**

(52) **U.S. Cl.** **D15/9**

(58) **Field of Search** D15/7-9; 417/321,
417/410, 413.1, 415, 423.3, 486, 521, 534;
415/148

(56) **References Cited**

U.S. PATENT DOCUMENTS

D185,000 S * 4/1959 Hoover D15/9
D223,039 S * 2/1972 Widmer D15/7
D258,436 S * 3/1981 McGilberry D15/7

4,854,822 A * 8/1989 Darroch 417/62
D418,809 S * 1/2000 Frank D13/112
D444,797 S * 7/2001 Davis et al. D15/9
D450,061 S * 11/2001 Graber et al. D15/9

* cited by examiner

Primary Examiner—Ralf Seifert

(74) *Attorney, Agent, or Firm*—Pearne & Gordon LLP

(57) **CLAIM**

The ornamental design for a portable air compressor, as shown and described.

DESCRIPTION

FIG. 1 is a perspective view of a portable air compressor showing my new design;

FIG. 2 is a front view thereof;

FIG. 3 is a rear view thereof;

FIG. 4 is a left-side view thereof;

FIG. 5 is a right-side view thereof;

FIG. 6 is a top view thereof; and,

FIG. 7 is a bottom view thereof.

It being understood that the broken lines are for illustrative purposes only and form no part of the claimed design.

1 Claim, 4 Drawing Sheets

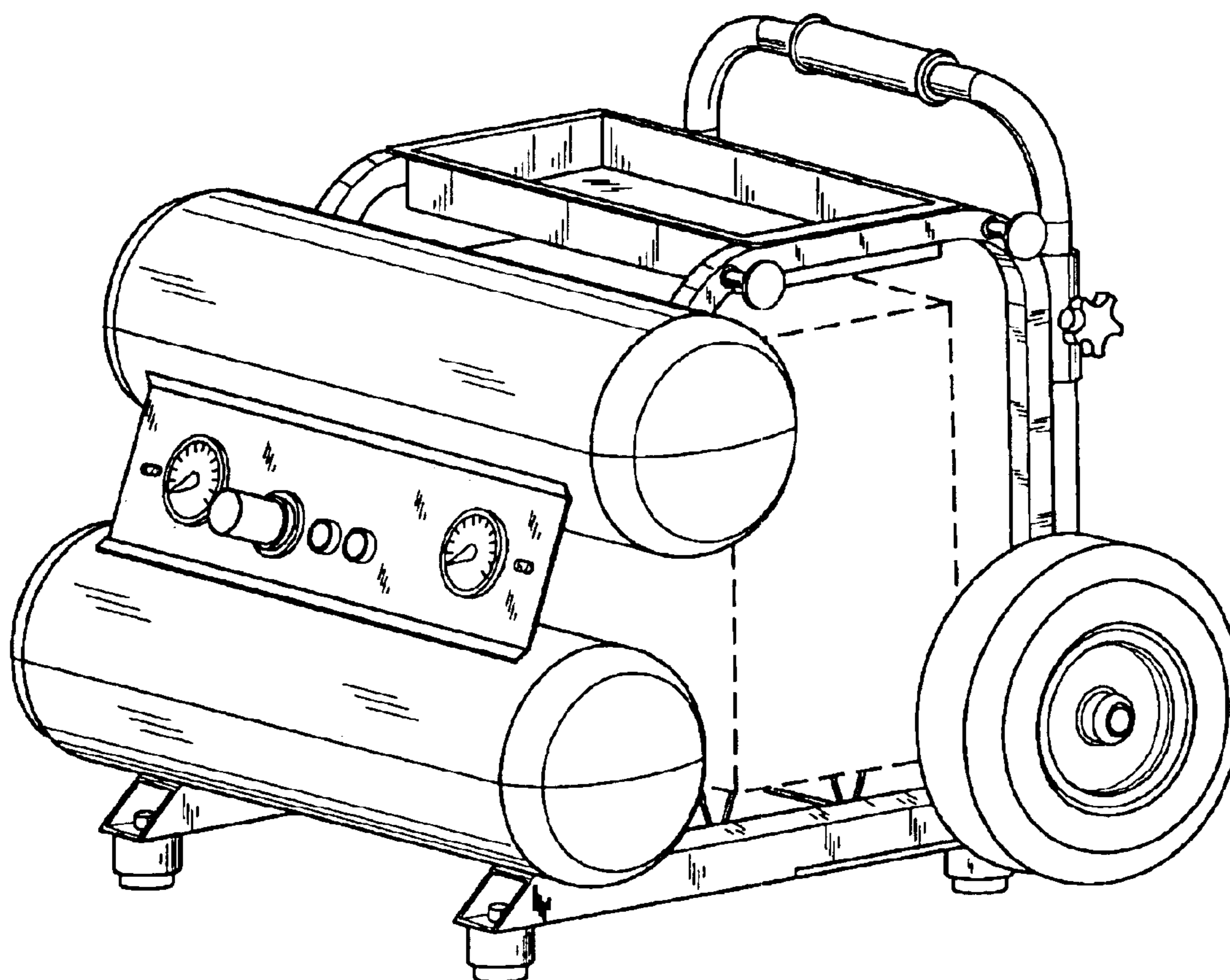


FIG. 1

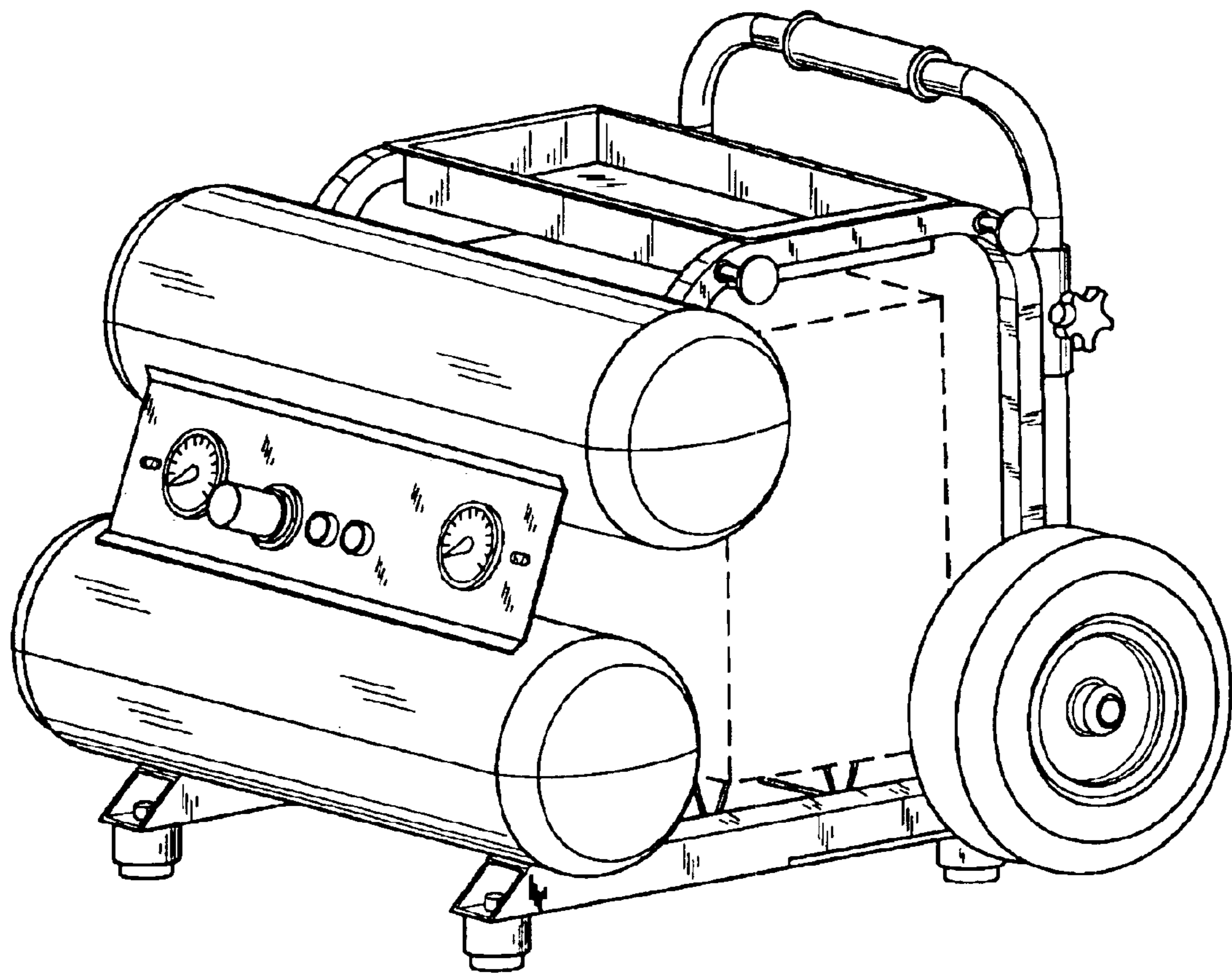


FIG.2

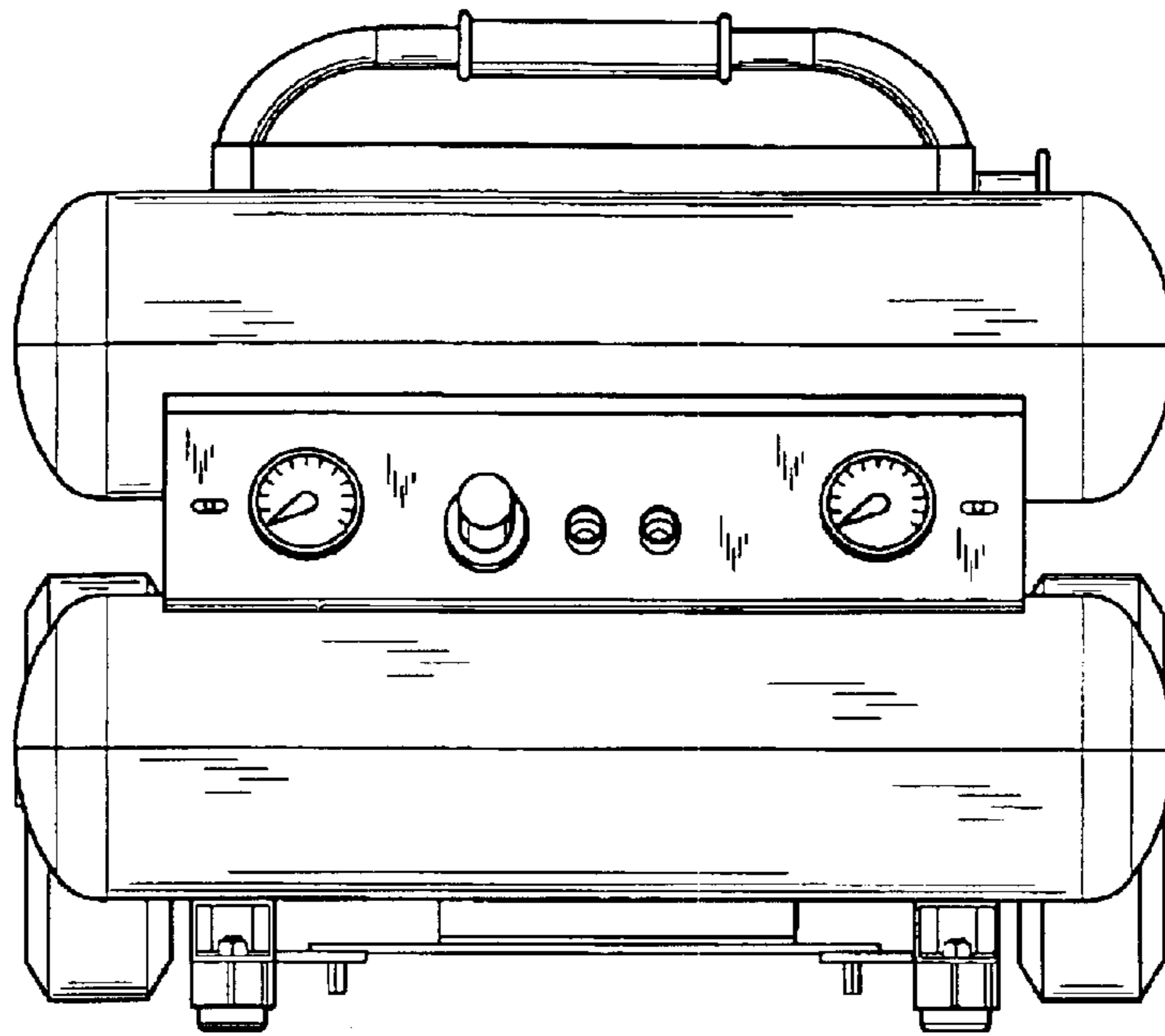


FIG.3

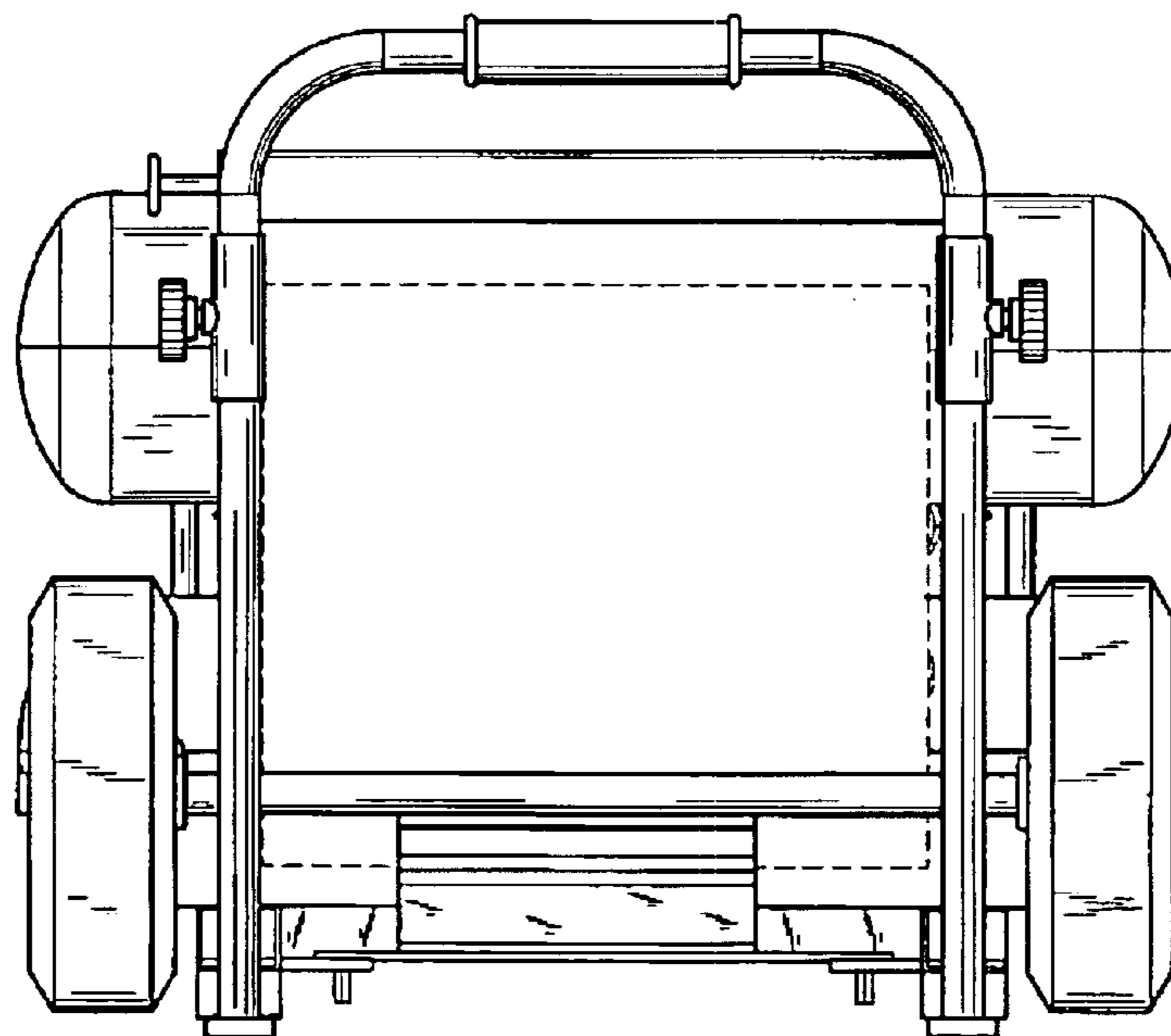


FIG. 4

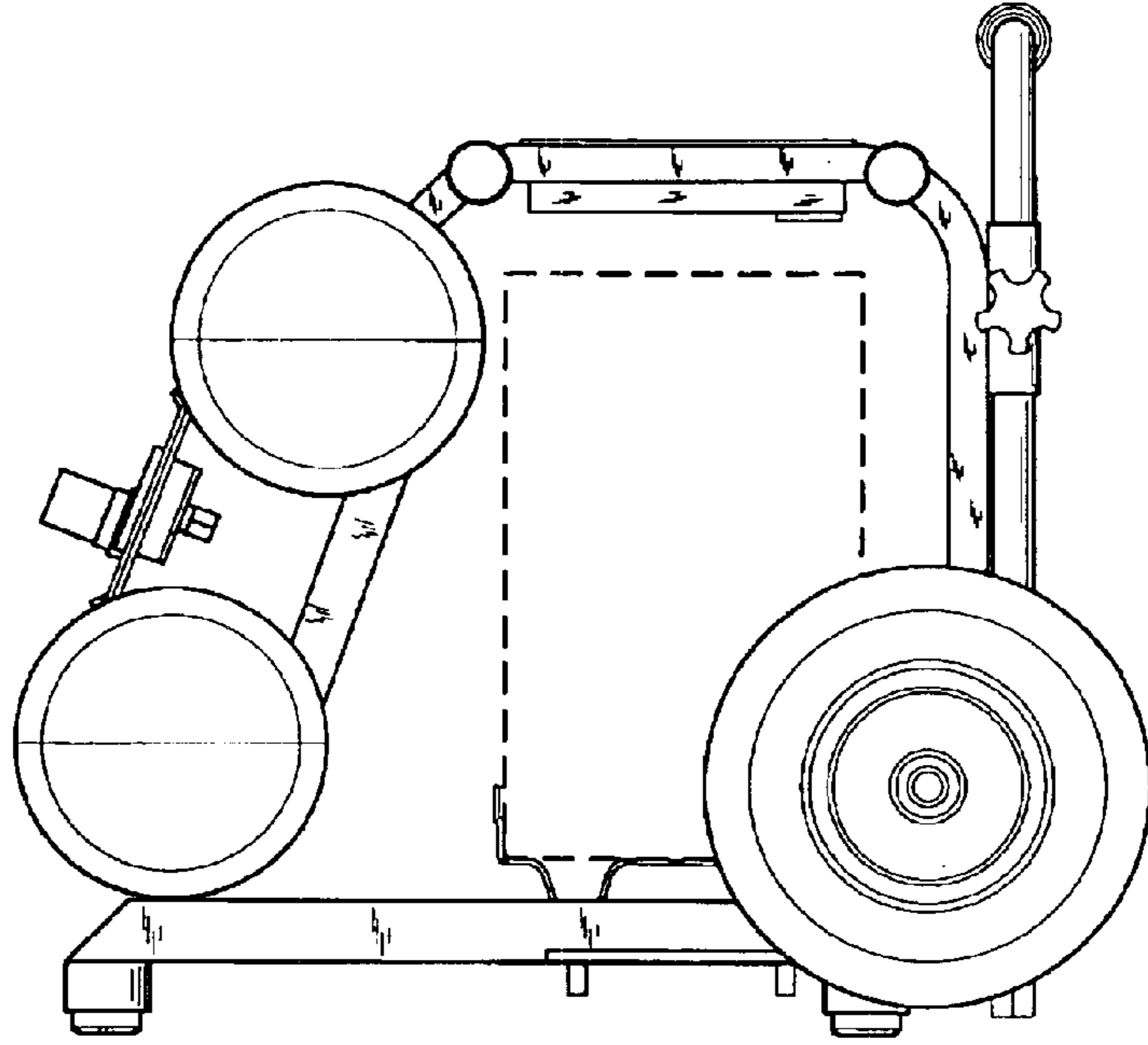


FIG. 5

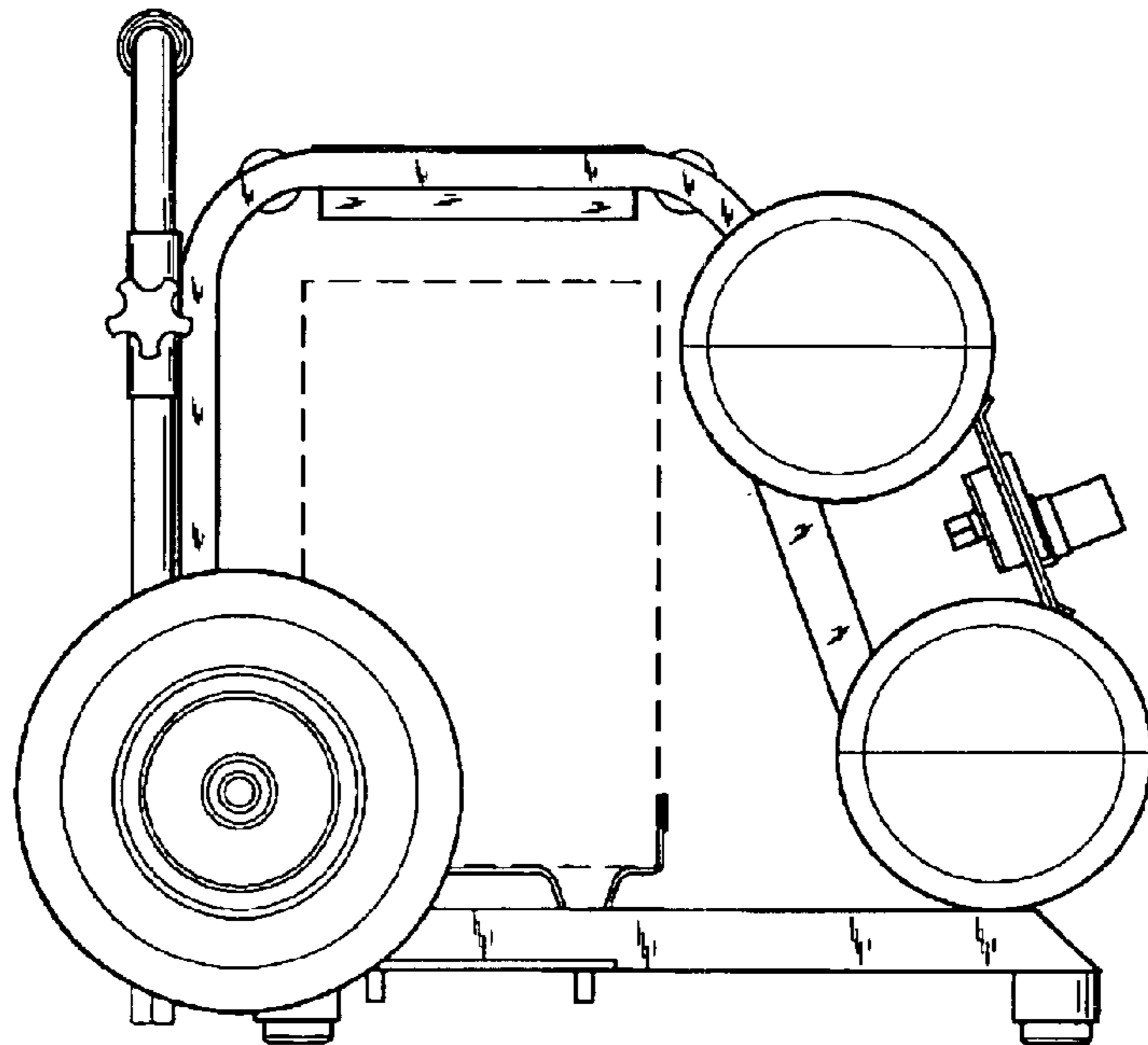


FIG.6

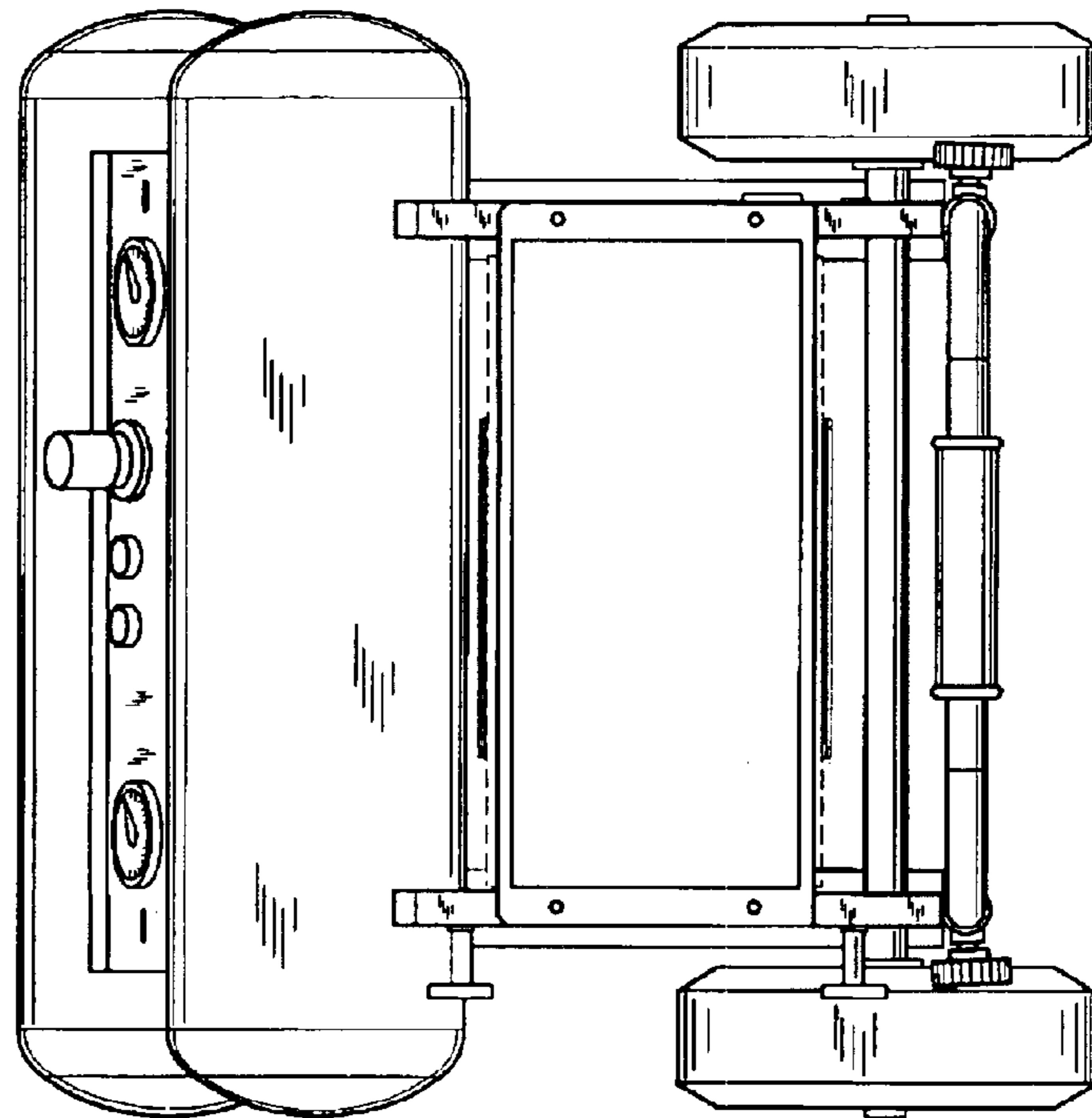


FIG.7

