

US00D500051S

(12) **United States Design Patent**  
**Lucchi**

(10) **Patent No.:** **US D500,051 S**

(45) **Date of Patent:** **\*\* Dec. 21, 2004**

(54) **PORTABLE AIR COMPRESSOR**

D444,796 S \* 7/2001 Morgan ..... D15/9

(75) **Inventor:** **Fabio Lucchi**, Sasso Marconi (IT)

\* cited by examiner

(73) **Assignee:** **F.I.A.C. S.p.A.**, Bologna (IT)

*Primary Examiner*—Ralf Seifert

(\*\*) **Term:** **14 Years**

(74) *Attorney, Agent, or Firm*—Pearne & Gordon LLP

(21) **Appl. No.:** **29/186,048**

(22) **Filed:** **Jul. 8, 2003**

(57) **CLAIM**

The ornamental design for a portable air compressor, as shown and described.

(30) **Foreign Application Priority Data**

**DESCRIPTION**

Jan. 10, 2003 (IT) ..... BO200300002

(51) **LOC (7) Cl.** ..... **15-02**

(52) **U.S. Cl.** ..... **D15/9**

(58) **Field of Search** ..... D15/7-9; 417/321,  
417/410, 413.1, 415, 423.3, 486, 521, 534;  
415/148

FIG. 1 is a perspective view of a portable air compressor showing my new design;

FIG. 2 is a front view thereof;

FIG. 3 is a rear view thereof;

FIG. 4 is a left-side view thereof;

FIG. 5 is a right-side view thereof;

FIG. 6 is a top view thereof; and,

FIG. 7 is a bottom view thereof.

(56) **References Cited**

**U.S. PATENT DOCUMENTS**

2,434,675 A \* 1/1948 Simpson ..... 417/28

**1 Claim, 5 Drawing Sheets**

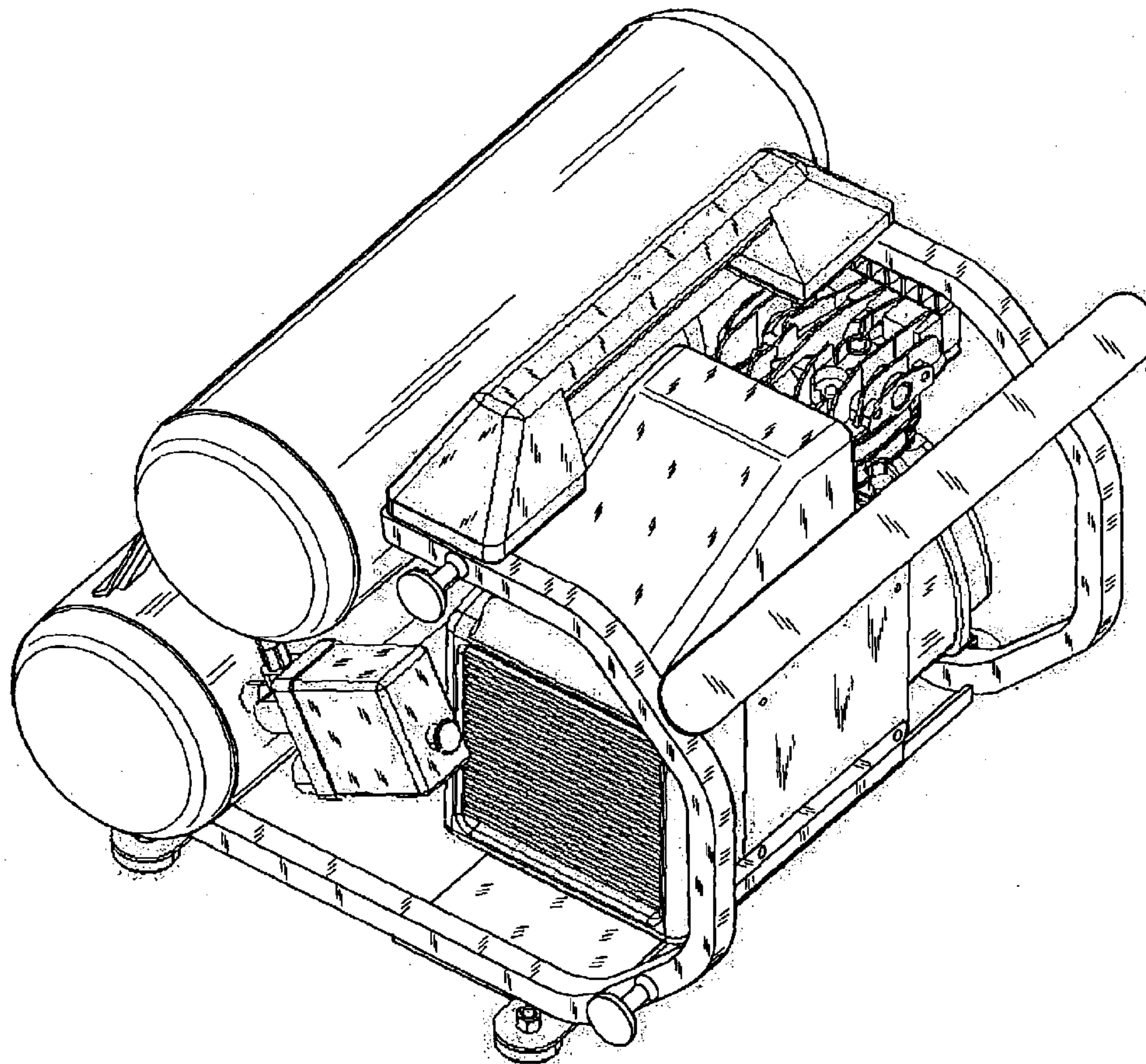


FIG. 1

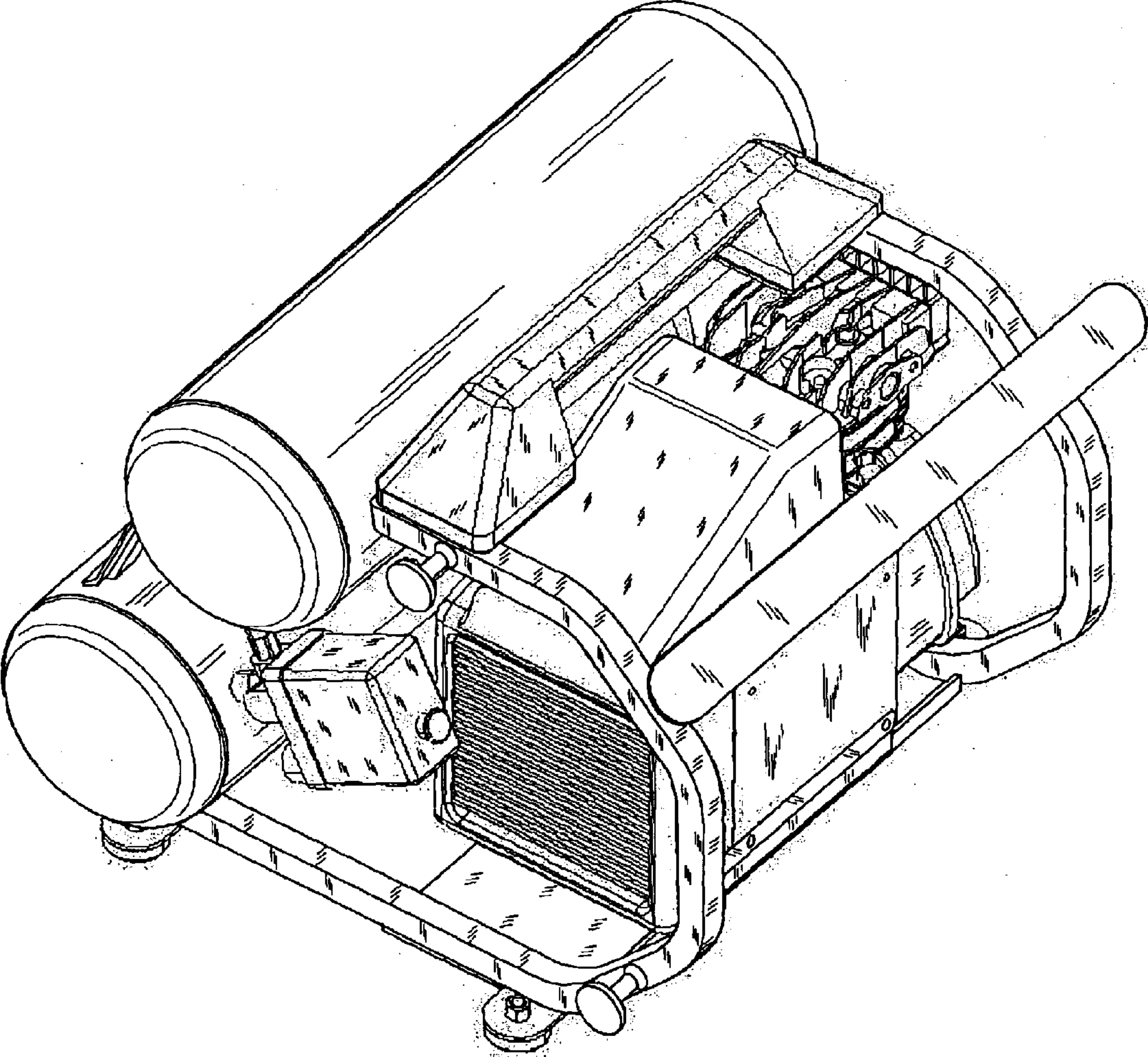


FIG.2

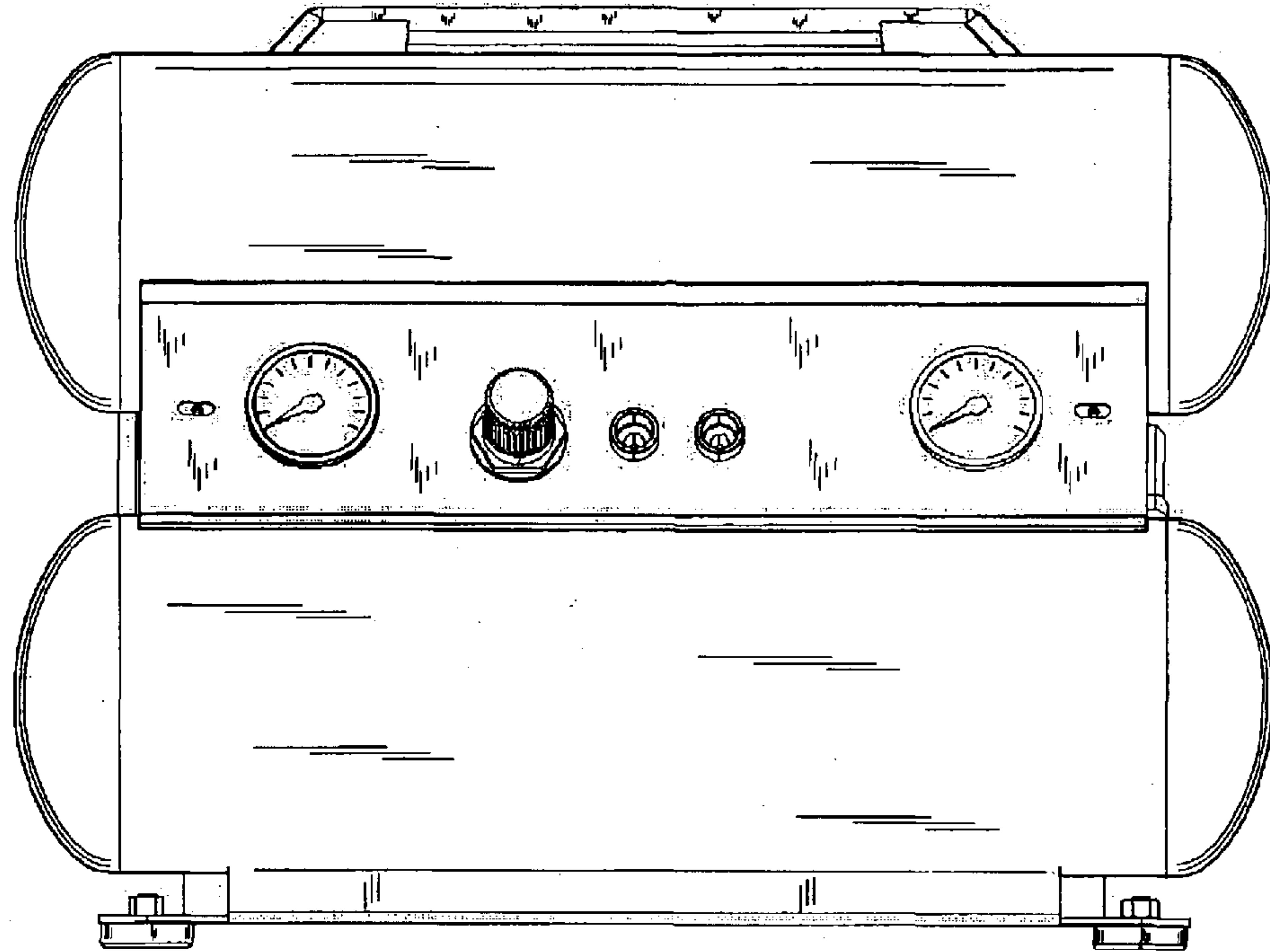


FIG.3

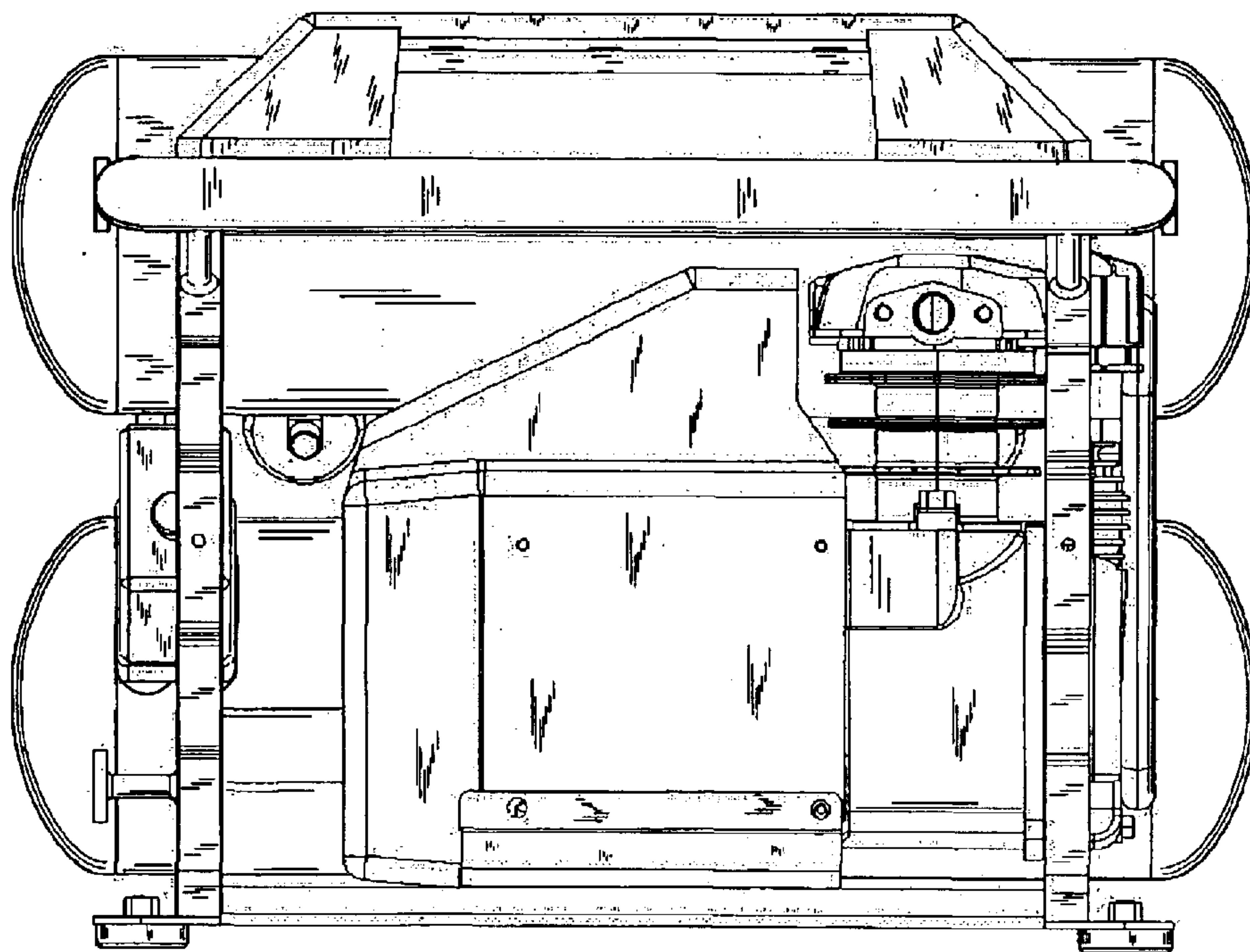




FIG.4

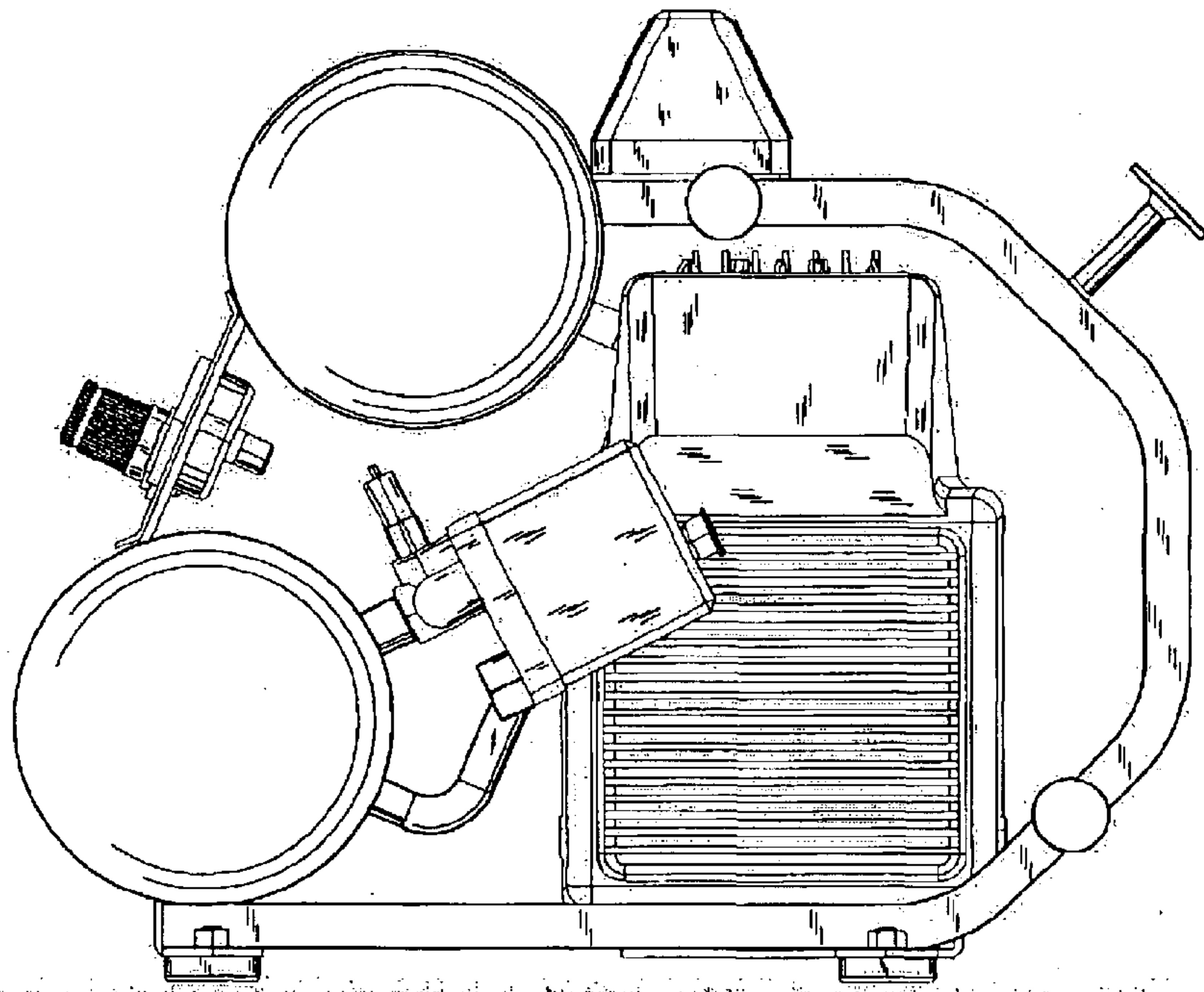


FIG.5

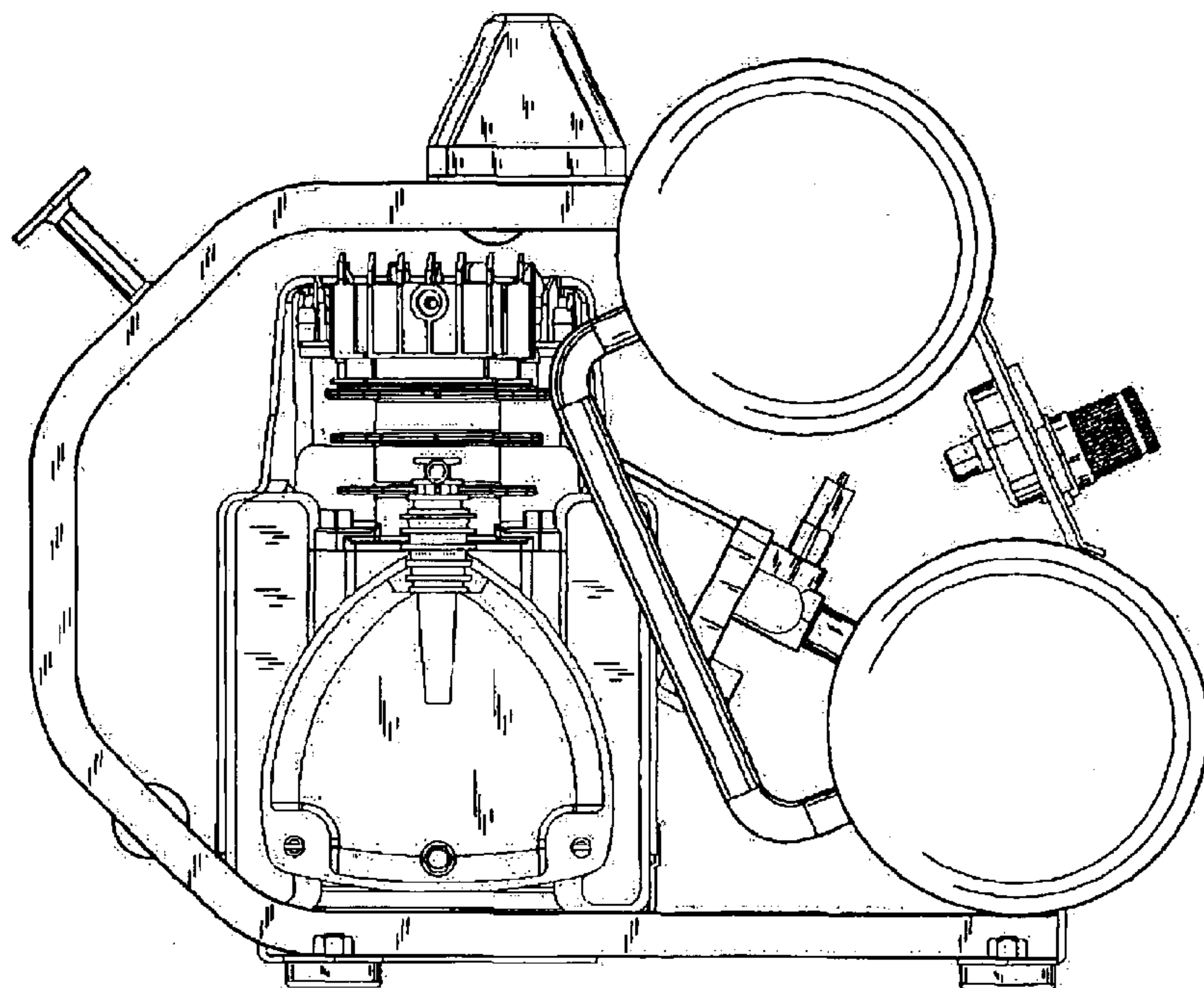


FIG. 6

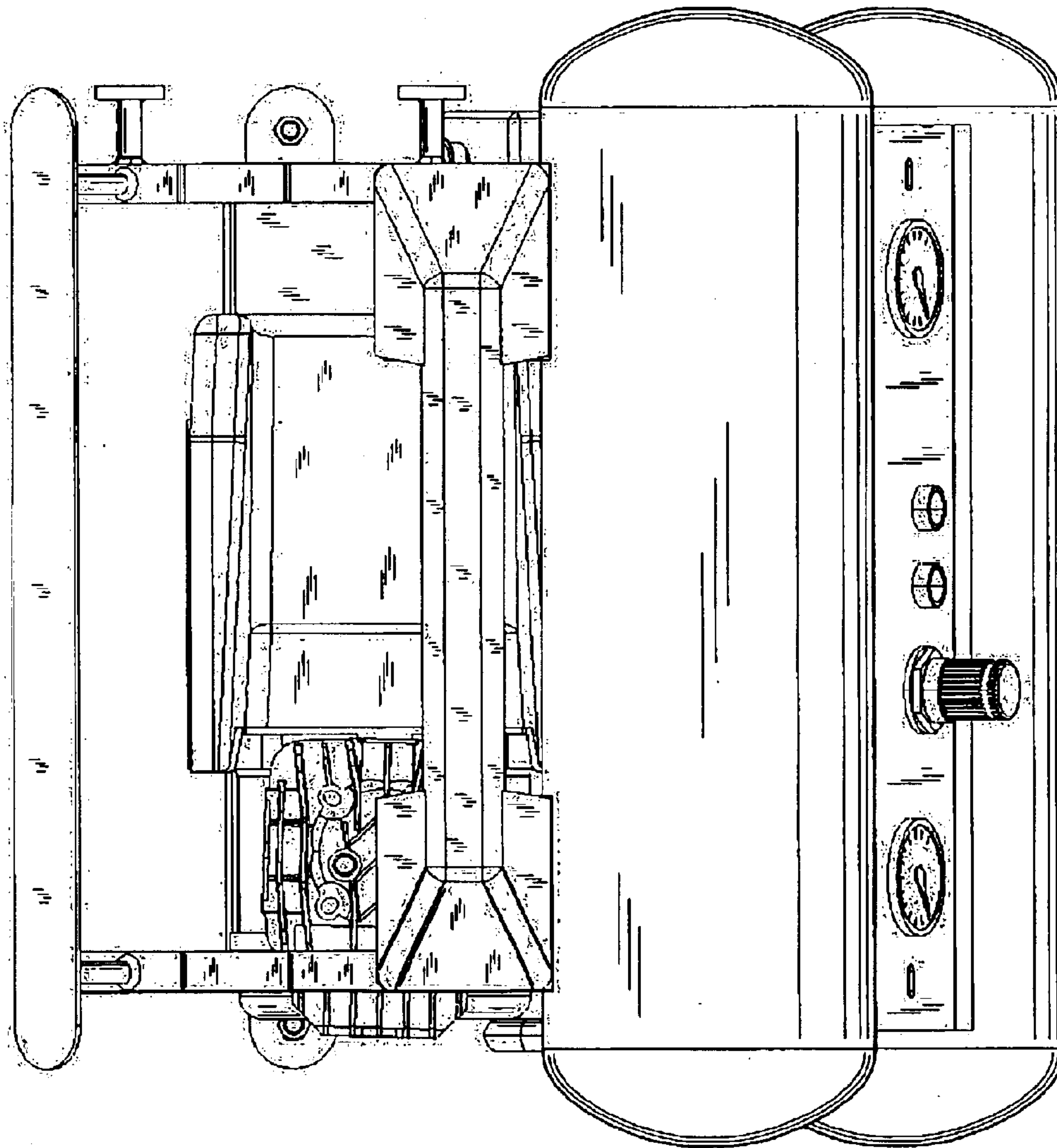


FIG. 7

