

US00D500039S

(12) **United States Design Patent**  
**Chen**

(10) **Patent No.:** **US D500,039 S**

(45) **Date of Patent:** **\*\* Dec. 21, 2004**

(54) **TWIN-SLOTS CARD READER**

FOREIGN PATENT DOCUMENTS

(75) Inventor: **Chun-Ming Chen, Hsin-Tien (TW)**

TW 566937 12/2003

(73) Assignee: **Skylight Digital Inc., Hsin-Tien (TW)**

\* cited by examiner

(\*\*) Term: **14 Years**

*Primary Examiner*—Freda S. Nunn

(74) *Attorney, Agent, or Firm*—Rosenberg, Klein & Lee

(21) Appl. No.: **29/196,473**

(57) **CLAIM**

(22) Filed: **Dec. 31, 2003**

The ornamental design for a twin-slots card reader, as shown and described.

(51) **LOC (7) Cl.** ..... **14-02**

(52) **U.S. Cl.** ..... **D14/385**

(58) **Field of Search** ..... D14/383-386,  
D14/240; 355/64, 65, 75, 81; 250/556;  
235/380, 382, 382.5

**DESCRIPTION**

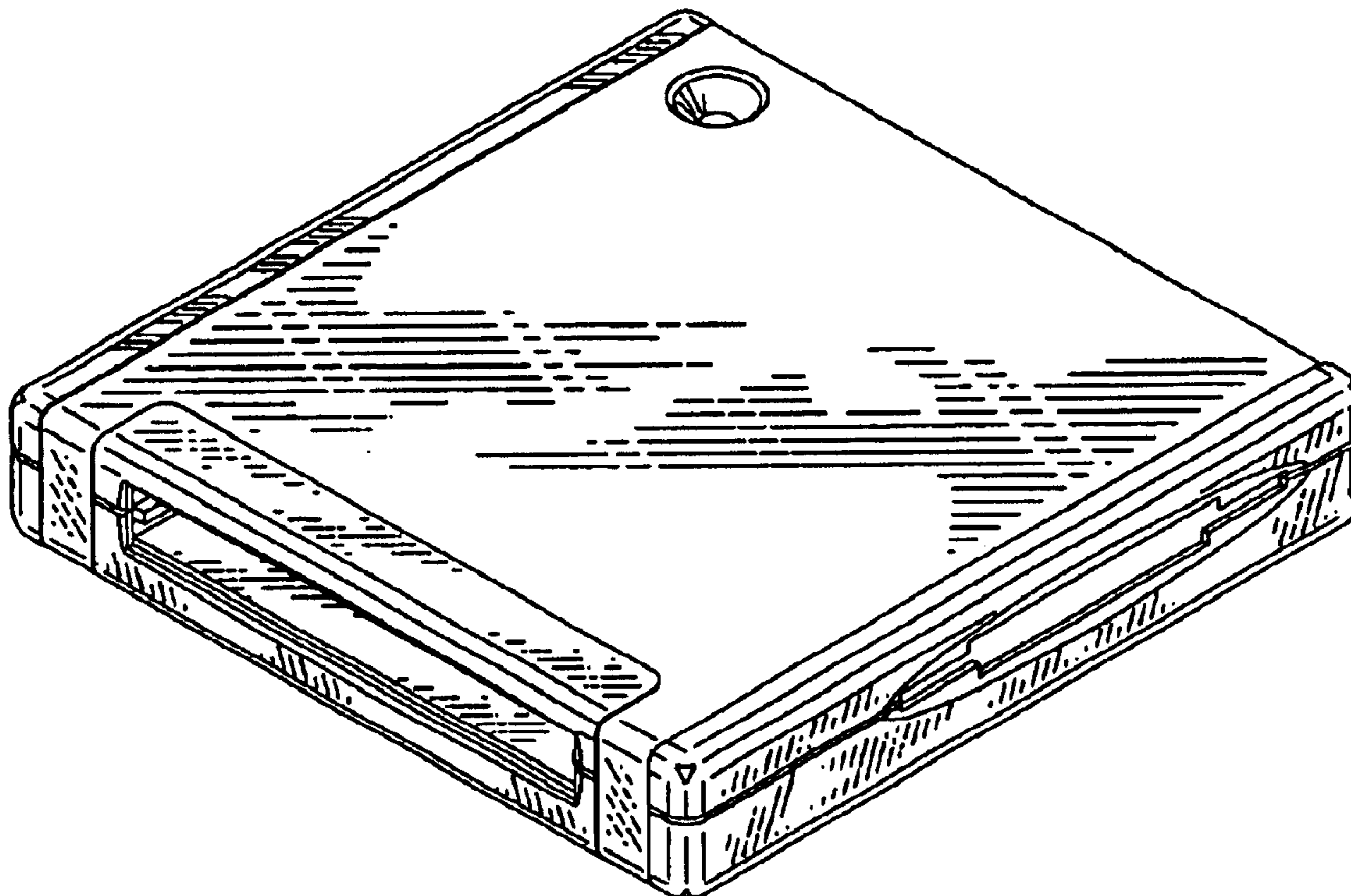
FIG. 1 is a perspective view of a twin-slots card reader embodying my design;  
FIG. 2 is a front elevational view thereof;  
FIG. 3 is a rear elevational view thereof;  
FIG. 4 is a left elevational view thereof;  
FIG. 5 is a right elevational view thereof;  
FIG. 6 is a top view thereof; and,  
FIG. 7 is a bottom view thereof.

(56) **References Cited**

**U.S. PATENT DOCUMENTS**

D379,993 S \* 6/1997 Devitt et al. .... D14/240  
D393,835 S \* 4/1998 Ohki et al. .... D14/385  
D477,322 S \* 7/2003 Chien ..... D14/385

**1 Claim, 4 Drawing Sheets**



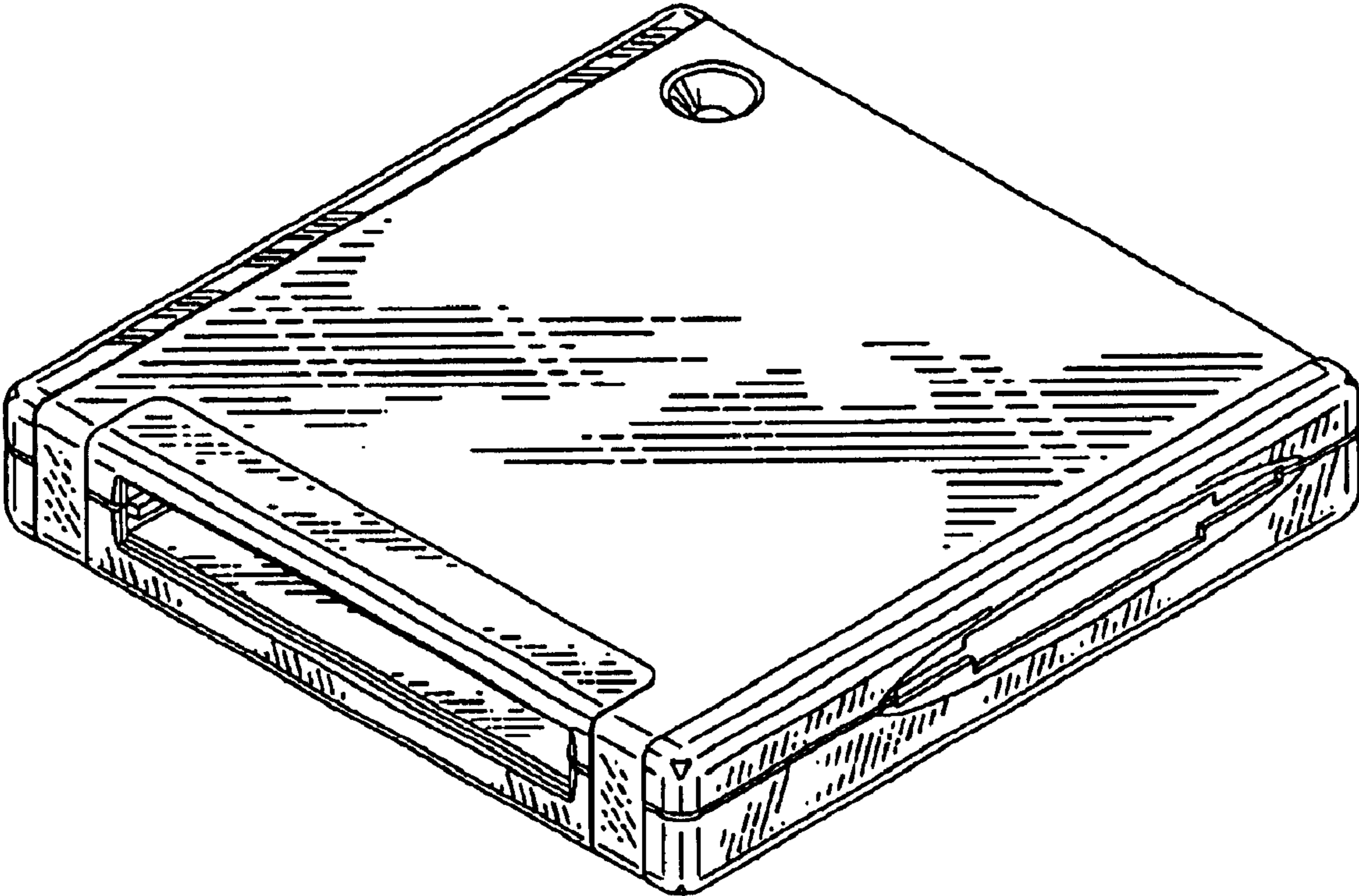


FIG. 1

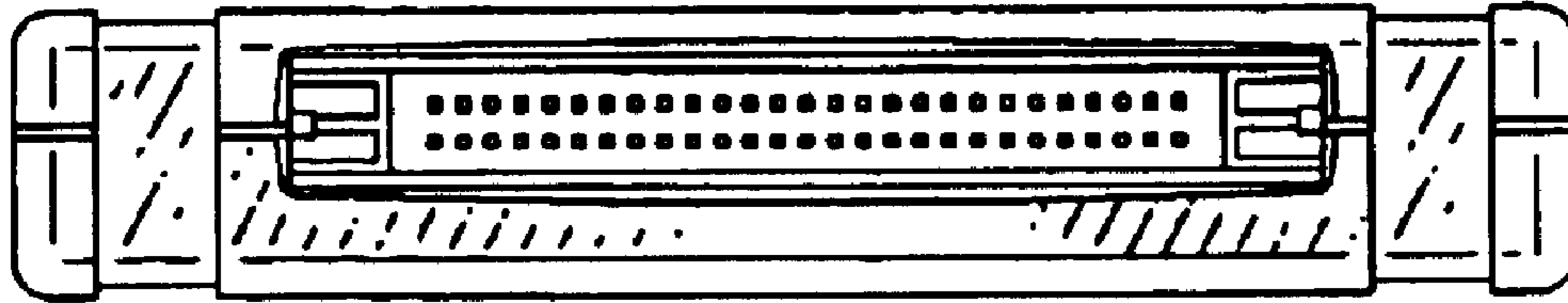


FIG. 2

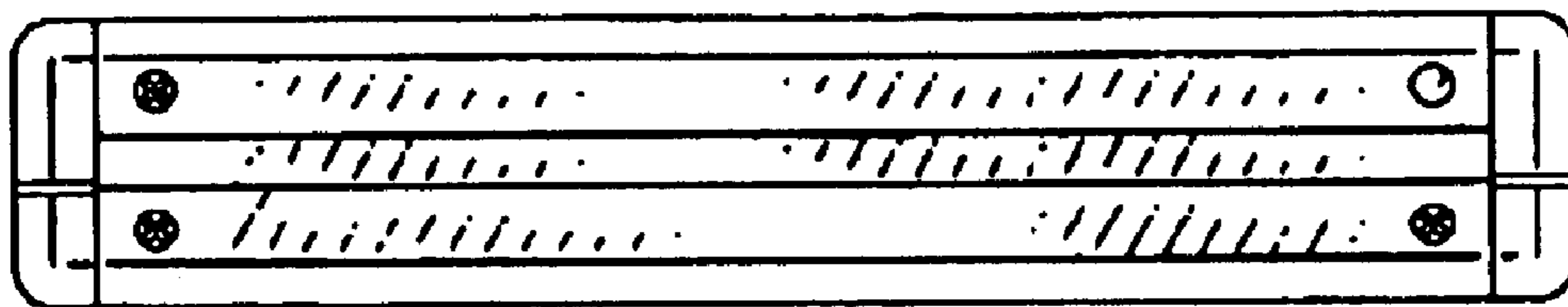


FIG. 3

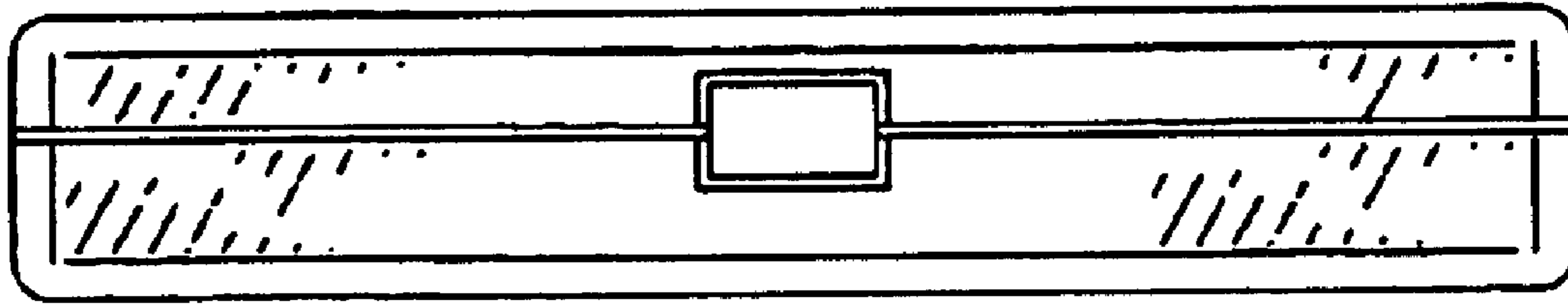


FIG. 4

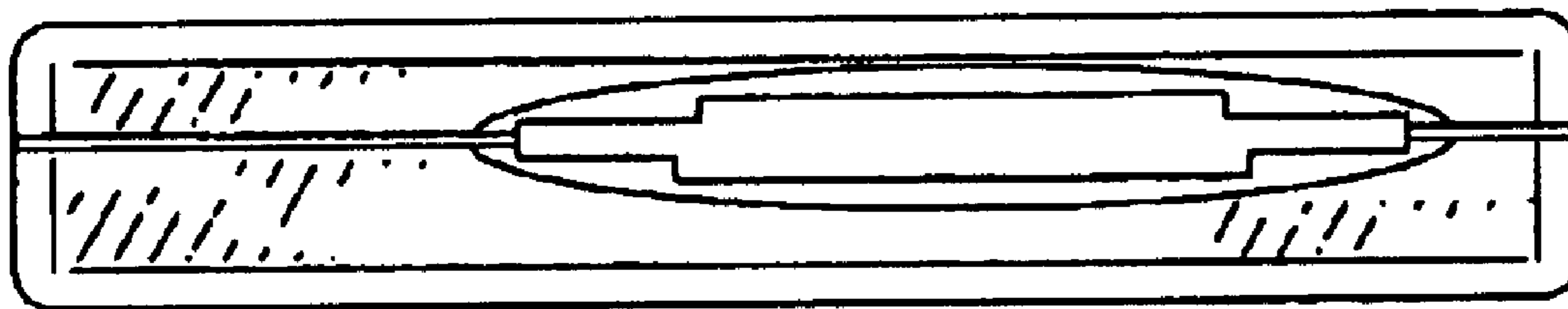


FIG. 5

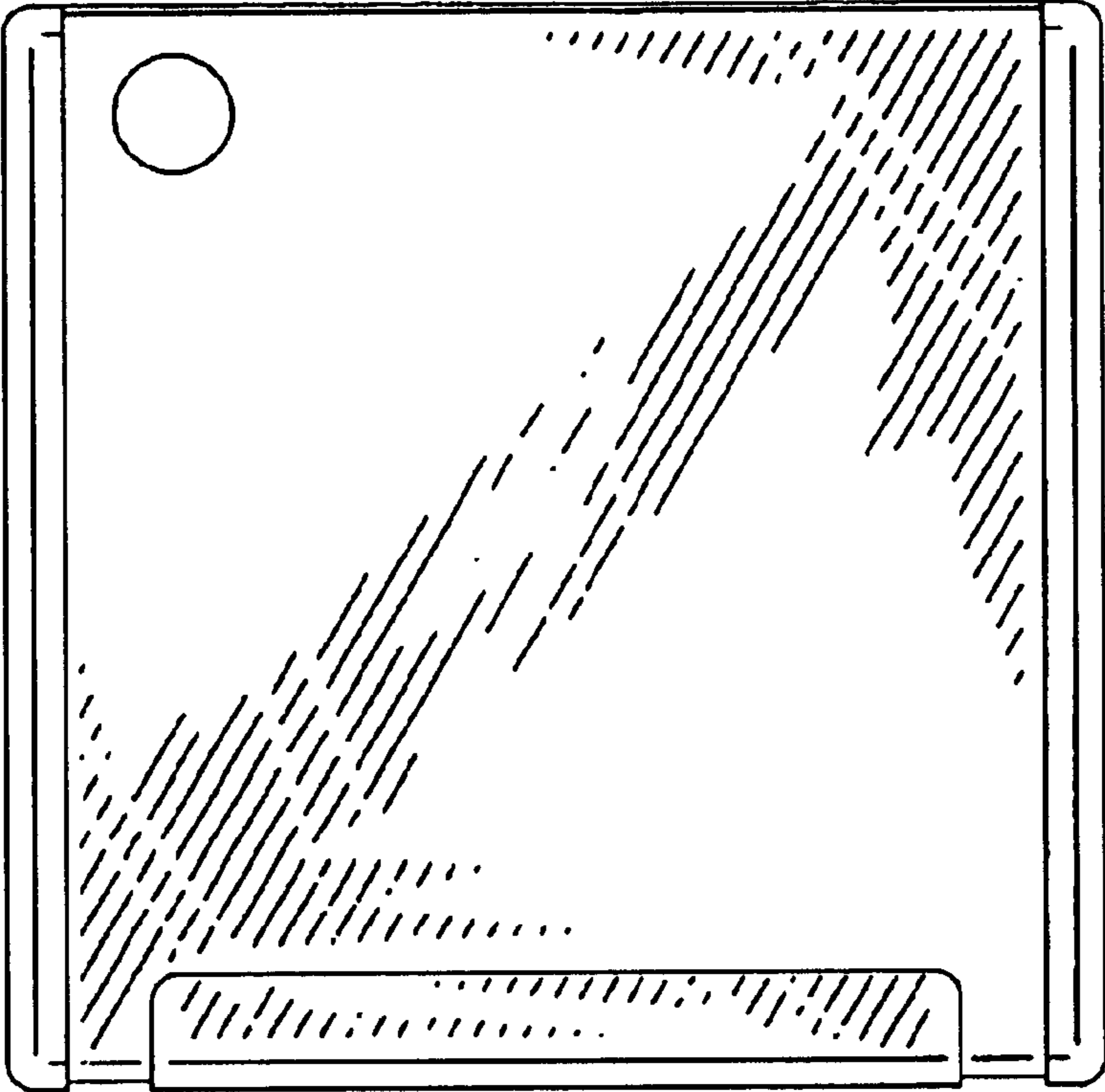


FIG.6

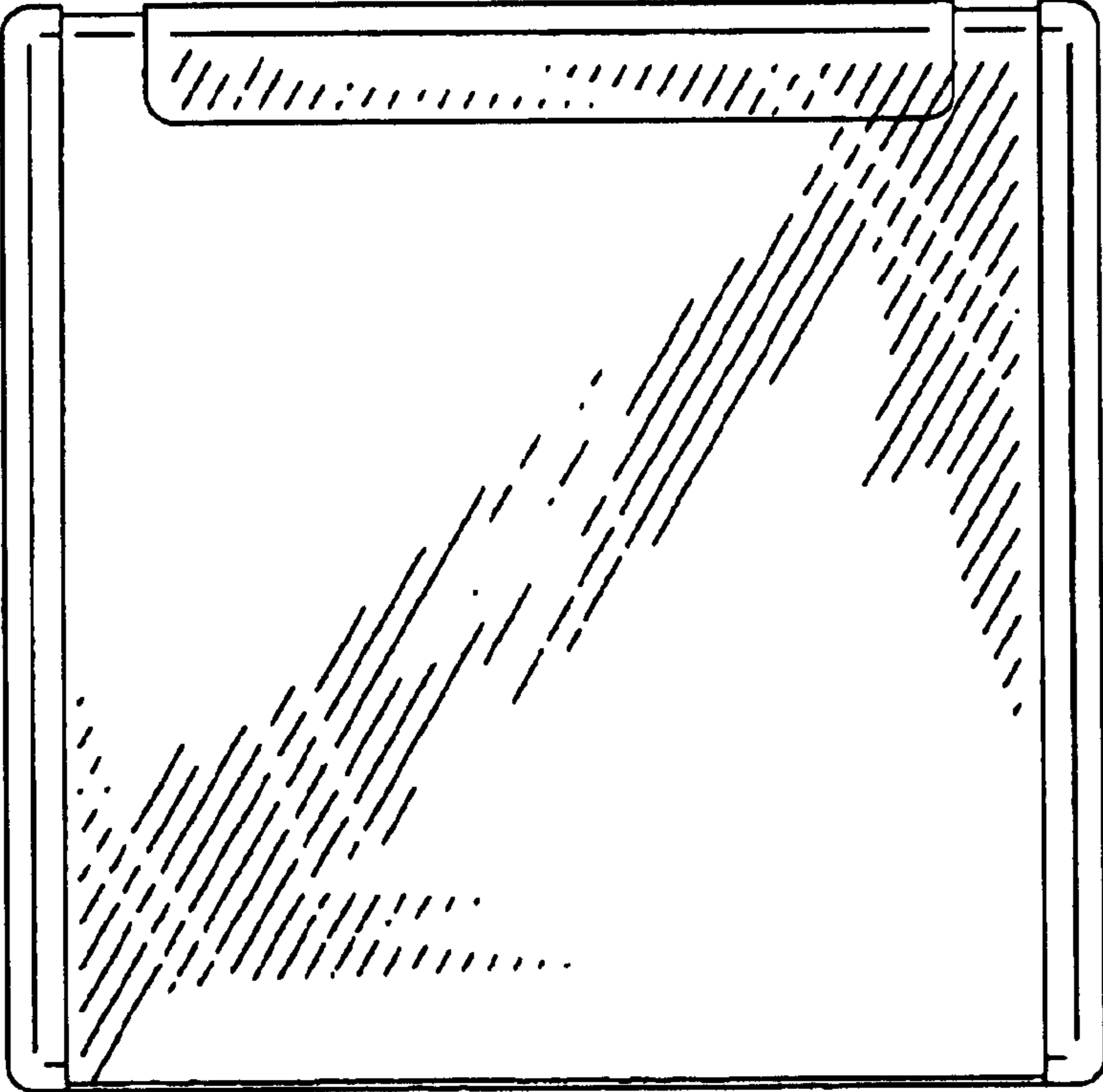


FIG.7