



US00D500036S

(12) **United States Design Patent**
Chang et al.

(10) **Patent No.:** **US D500,036 S**
(45) **Date of Patent:** **** Dec. 21, 2004**

(54) **WIRELESS PALM-SIZE COLOR FLAT
PANEL DISPLAY**

D334,180 S * 3/1993 Tedham et al. D14/341
D357,000 S * 4/1995 Takahashi D14/341
D440,966 S * 4/2001 Ronzani D14/344
D453,158 S * 1/2002 Chen D14/374

(75) Inventors: **Hsin Chung Chang**, Jubei (TW); **Kuo Hsiung Chang**, Jubei (TW)

* cited by examiner

(73) Assignee: **Tranwo Technology Corp.**, Hsinchu (TW)

Primary Examiner—Freda S. Nunn
(74) *Attorney, Agent, or Firm*—Rosenberg, Klein & Lee

(**) Term: **14 Years**

(57) **CLAIM**

(21) Appl. No.: **29/200,443**

The ornamental design for a wireless palm-size color flat panel display, as shown.

(22) Filed: **Mar. 1, 2004**

DESCRIPTION

(51) **LOC (7) Cl.** **14-02**

(52) **U.S. Cl.** **D14/371**

(58) **Field of Search** D14/341–346,
D14/371, 374; D18/1, 2, 7; 345/104, 156,
168, 173, 901–905; 348/180, 184, 325,
739; 341/12; 349/1, 2, 11, 62

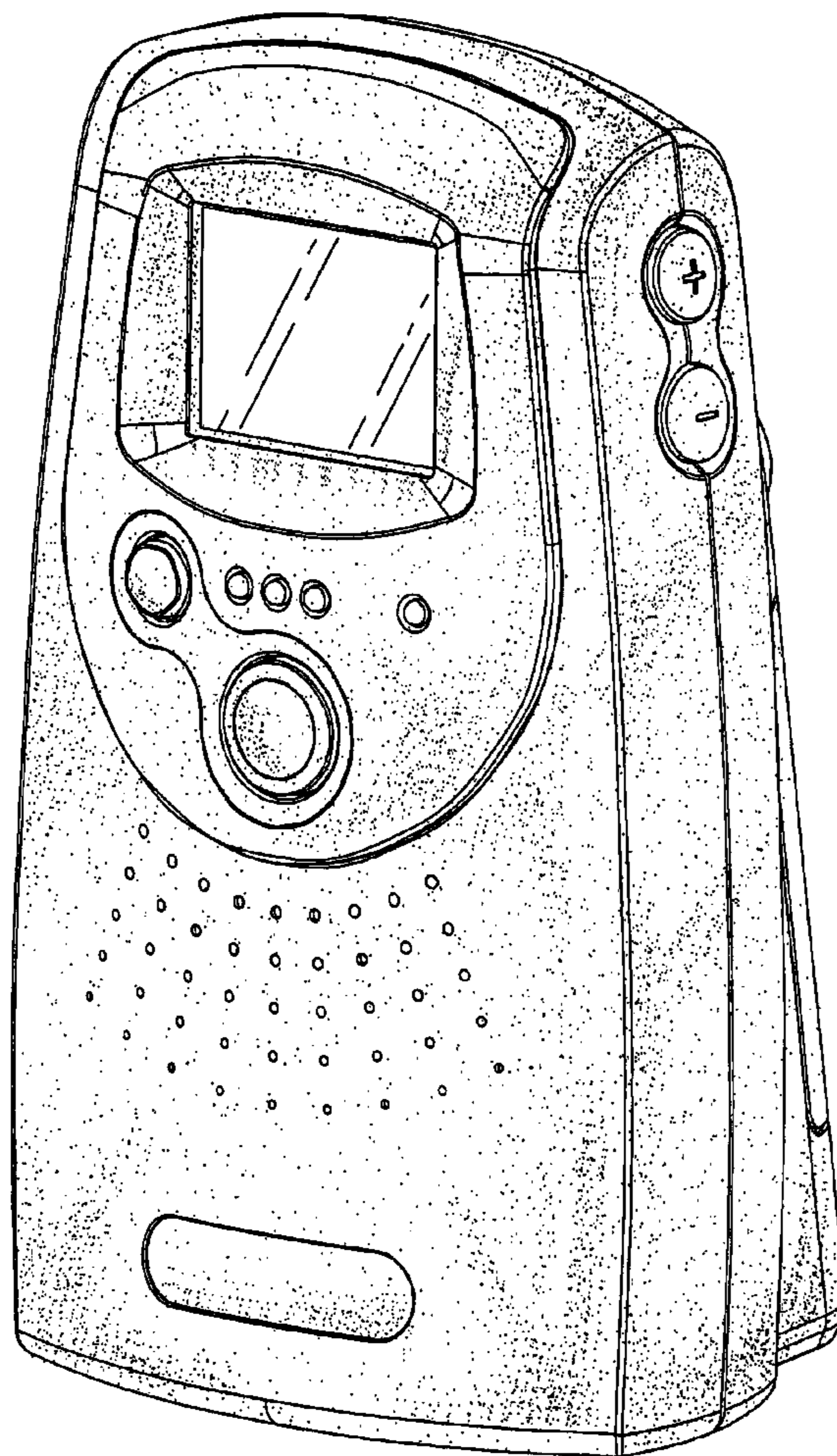
FIG. 1 is a perspective view of wireless palm-size color flat panel display showing my new design; FIG. 2 is a front elevational view thereof; FIG. 3 is a rear elevational view thereof; FIG. 4 is a left elevational view thereof; FIG. 5 is a right elevational view thereof; FIG. 6 is a top view thereof; and, FIG. 7 is a bottom view thereof.

(56) **References Cited**

U.S. PATENT DOCUMENTS

D266,563 S * 10/1982 White D14/346

1 Claim, 7 Drawing Sheets



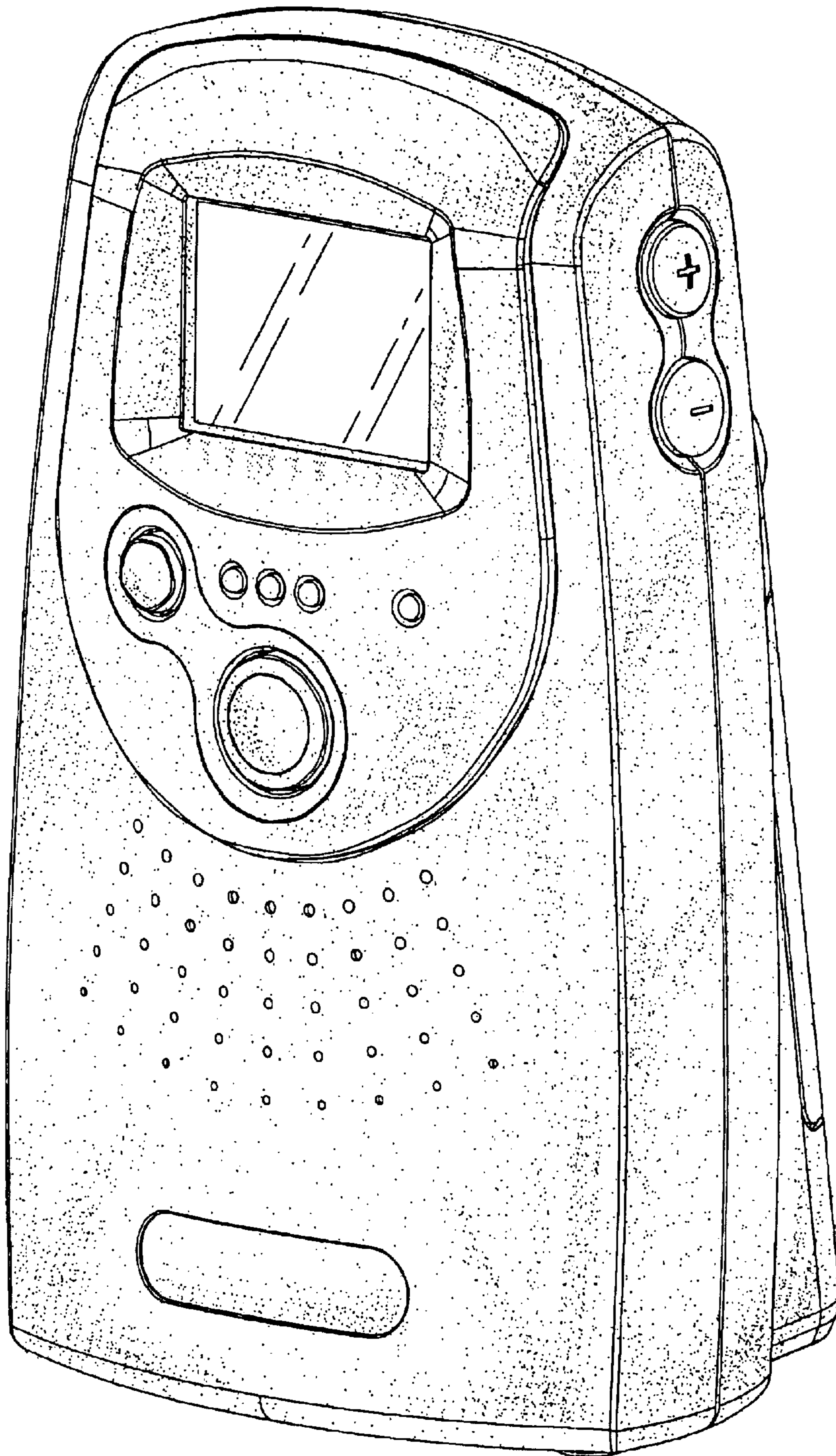


FIG. 1

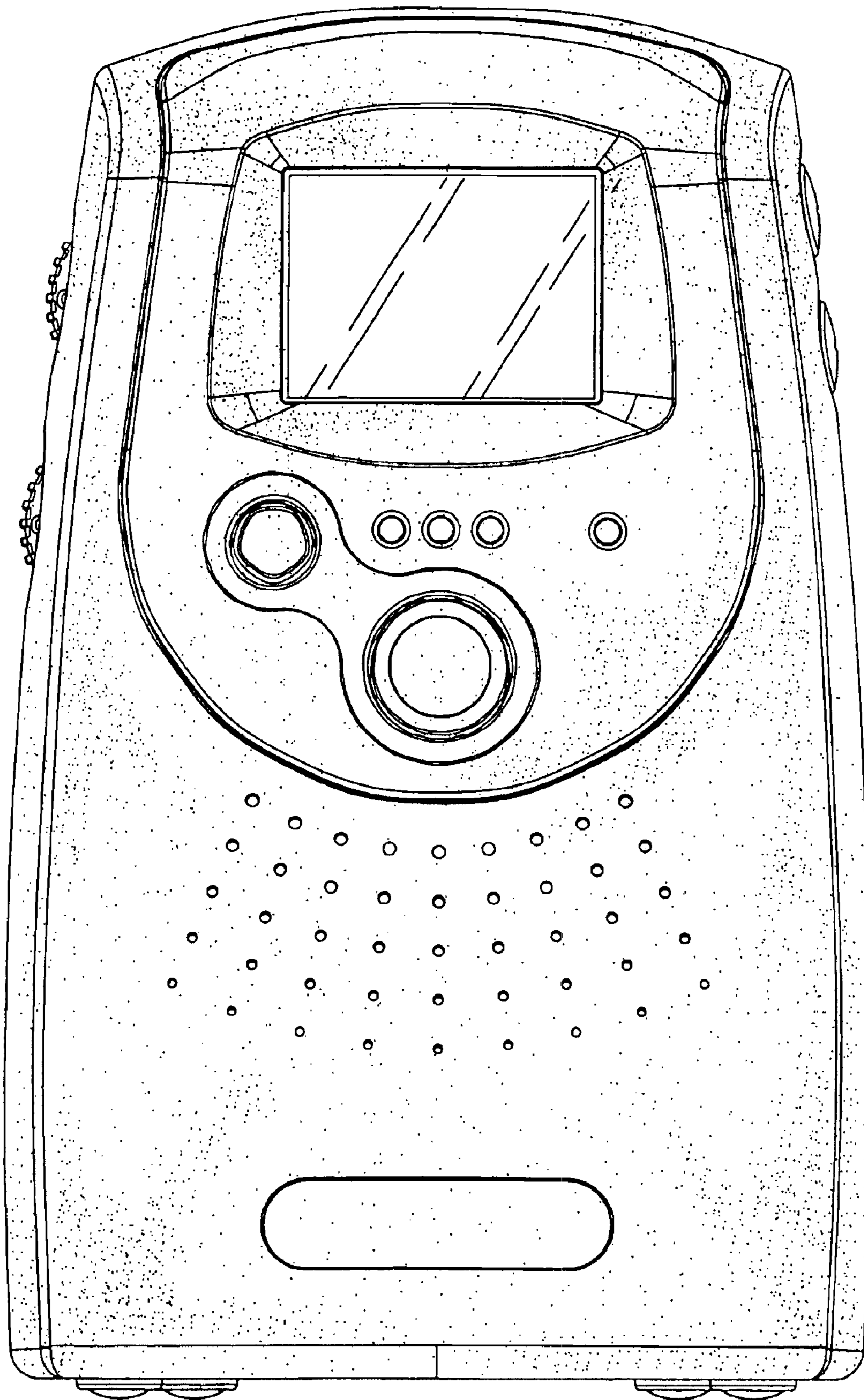


FIG. 2

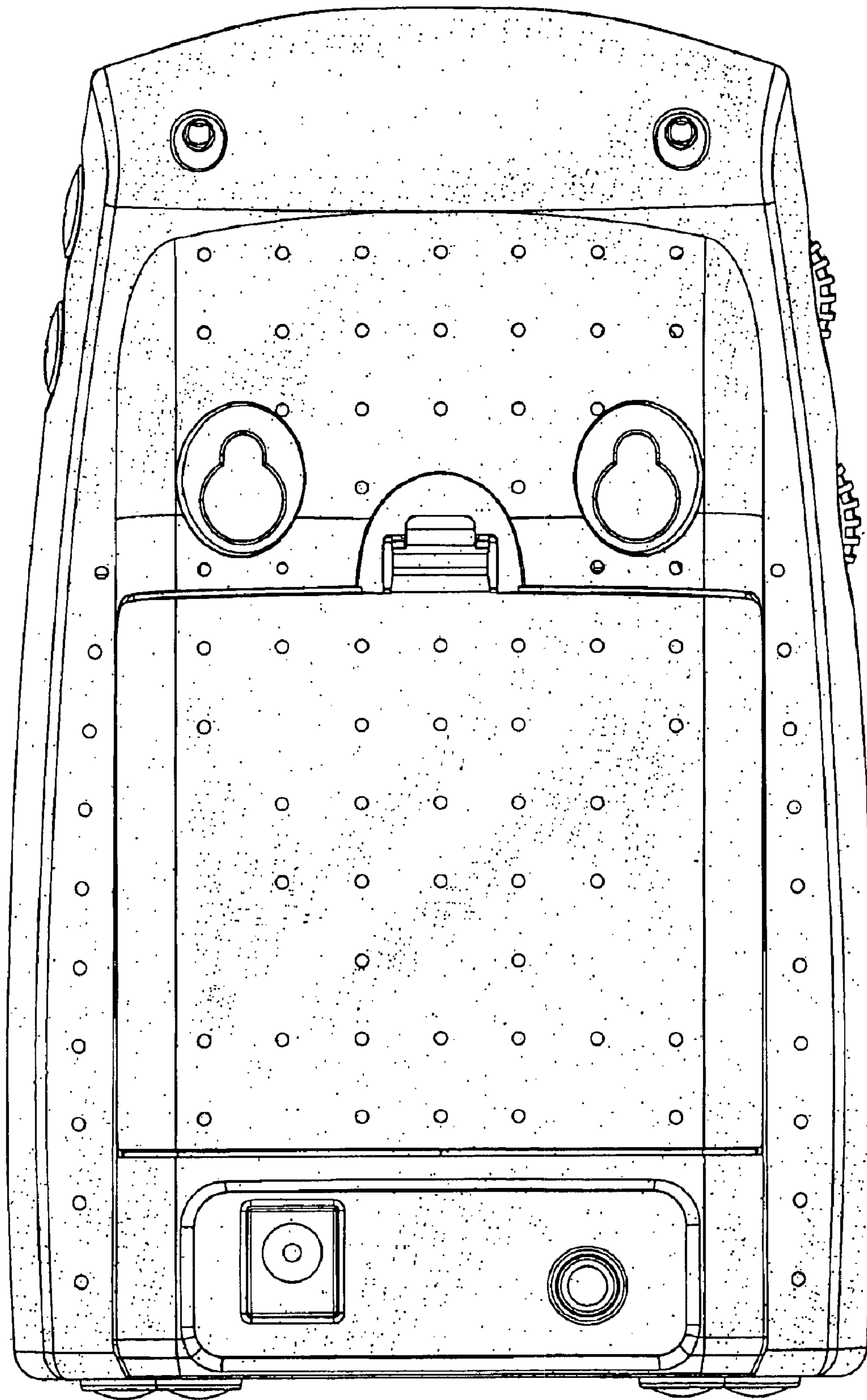


FIG. 3

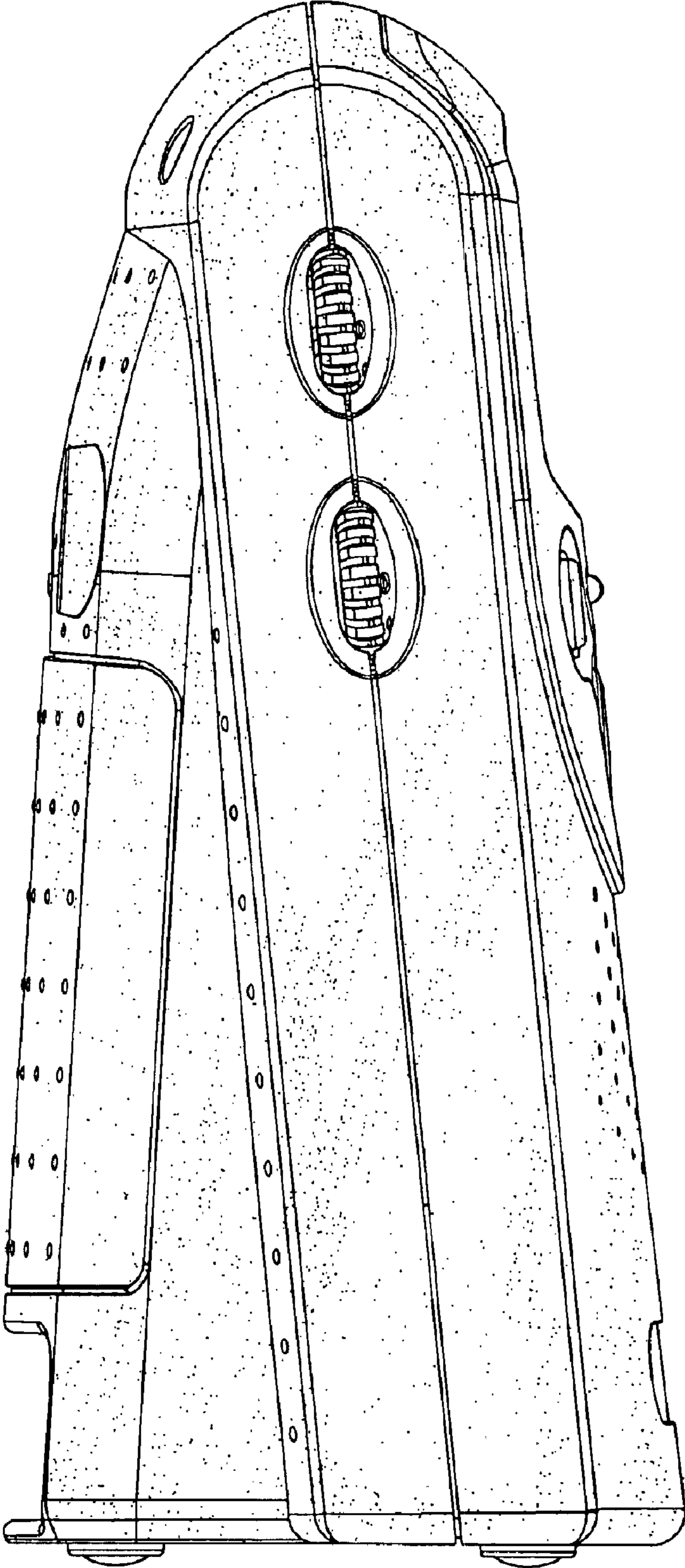


FIG. 4

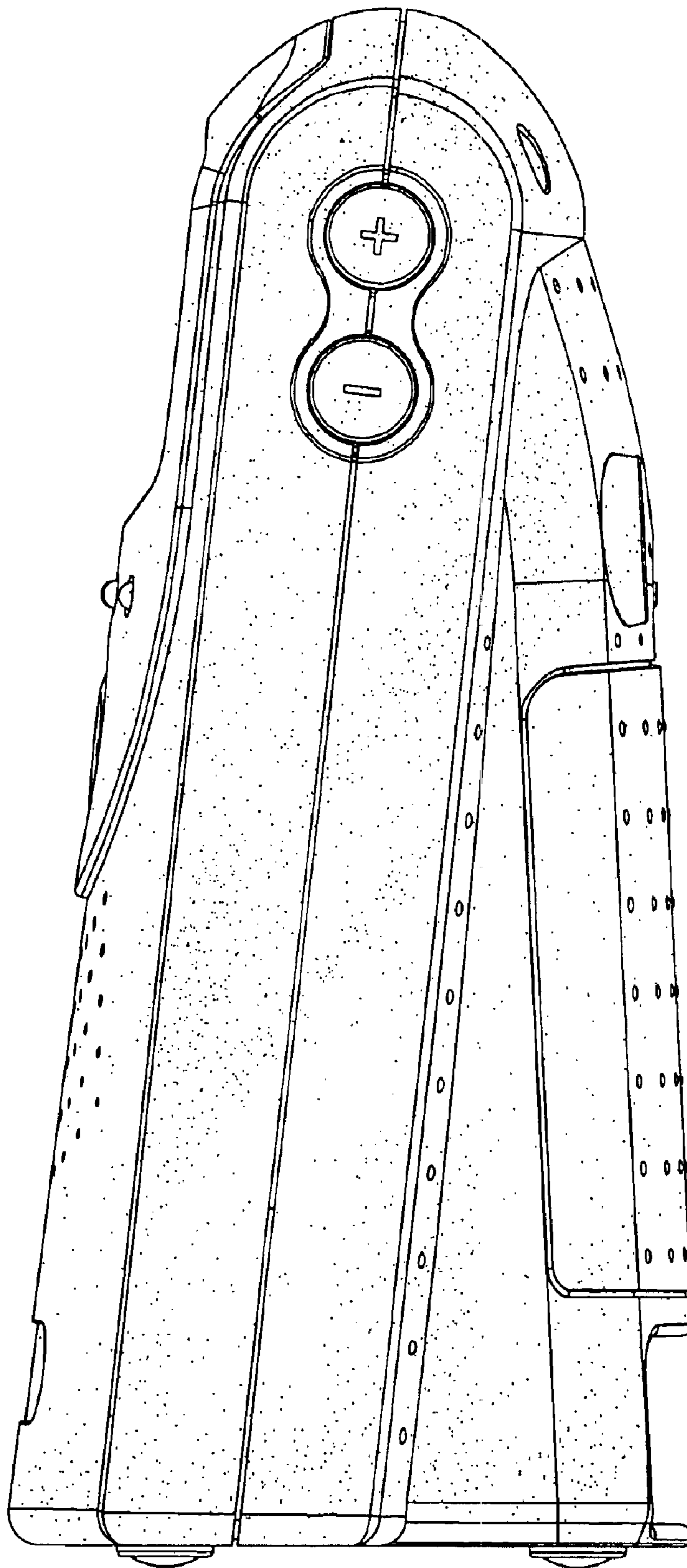


FIG. 5

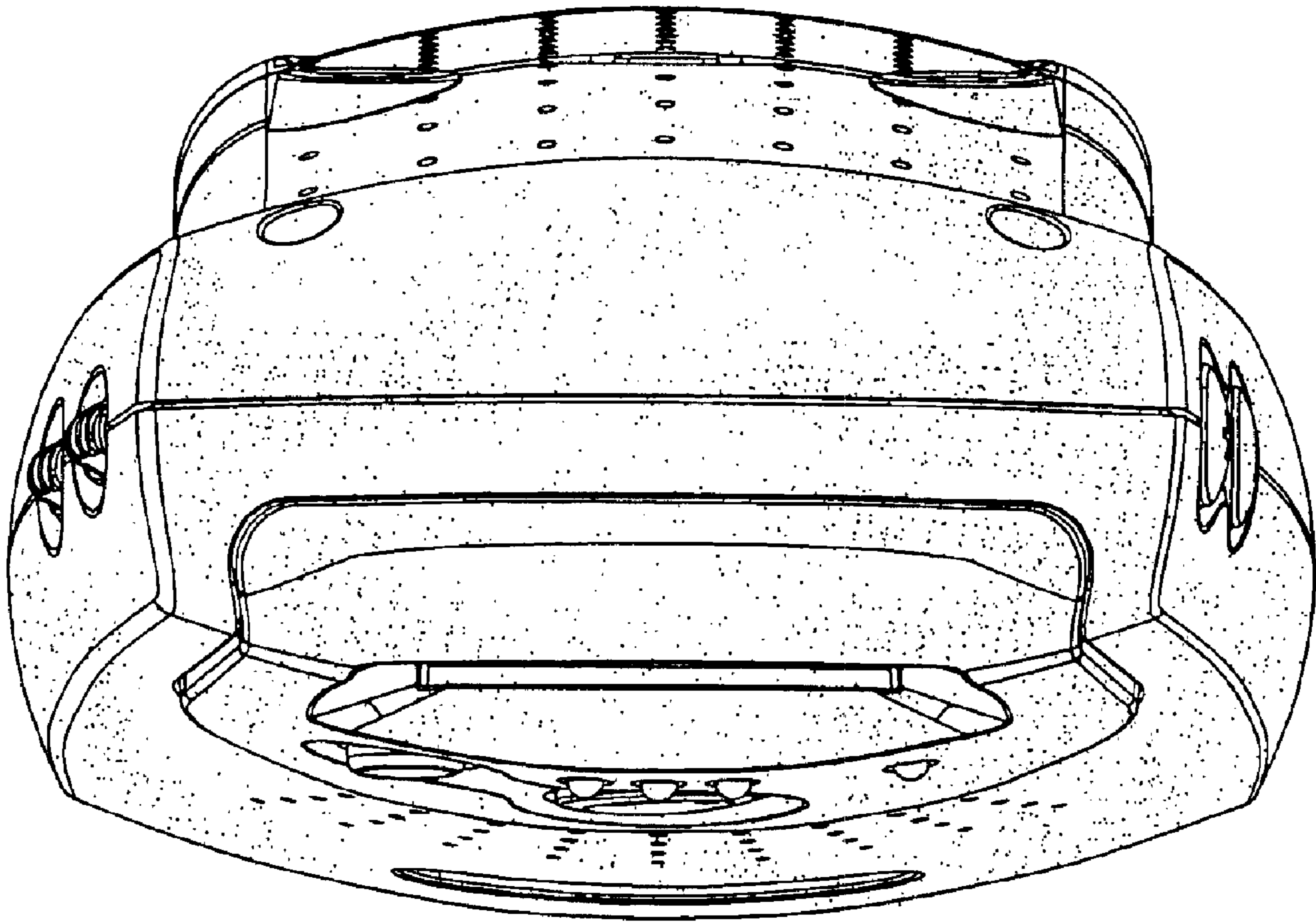


FIG. 6

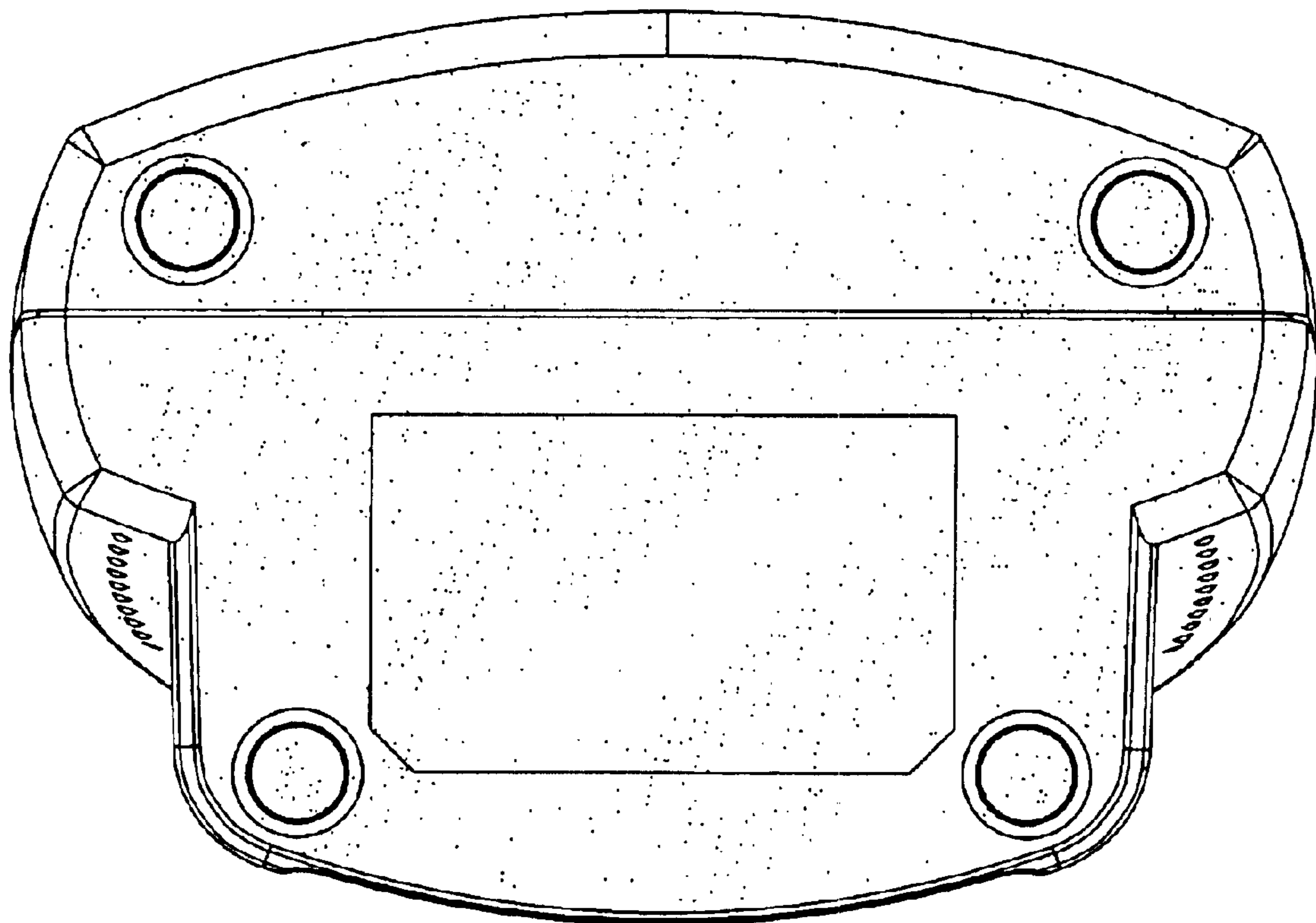


FIG. 7