

US00D500035S

(12) **United States Design Patent**  
**Evers**

(10) **Patent No.:** **US D500,035 S**

(45) **Date of Patent:** **\*\* Dec. 21, 2004**

(54) **SLATE COMPUTER**

(75) **Inventor:** **Maaiké L Evers, San Francisco, CA (US)**

(73) **Assignee:** **Hewlett-Packard Development Company, L.P., Houston, TX (US)**

(\*\*) **Term:** **14 Years**

(21) **Appl. No.:** **29/200,563**

(22) **Filed:** **Mar. 1, 2004**

(51) **LOC (7) Cl.** ..... **14-02**

(52) **U.S. Cl.** ..... **D14/339**

(58) **Field of Search** ..... D14/338, 339,  
D14/341-346, 158; D13/164; D18/1, 2,  
7; 235/145 A, 145 R; 341/22, 23; 345/156,  
168, 169, 172, 173; 361/680-686

(56) **References Cited**

**U.S. PATENT DOCUMENTS**

D291,195 S \* 8/1987 Shea ..... D14/158

D303,374 S \* 9/1989 Larson et al. .... D14/339  
D337,346 S \* 7/1993 Takeuchi ..... D18/1  
D398,593 S \* 9/1998 Tominaga et al. .... D14/339

\* cited by examiner

*Primary Examiner*—Freda S. Nunn

(74) *Attorney, Agent, or Firm*—Lloyd E. Dakin, Jr.

(57) **CLAIM**

The ornamental design for a slate computer, as shown and described.

**DESCRIPTION**

FIG. 1 is a perspective view of a slate computer showing the new design;

FIG. 2 is a top plan view thereof;

FIG. 3 is a bottom plan view thereof;

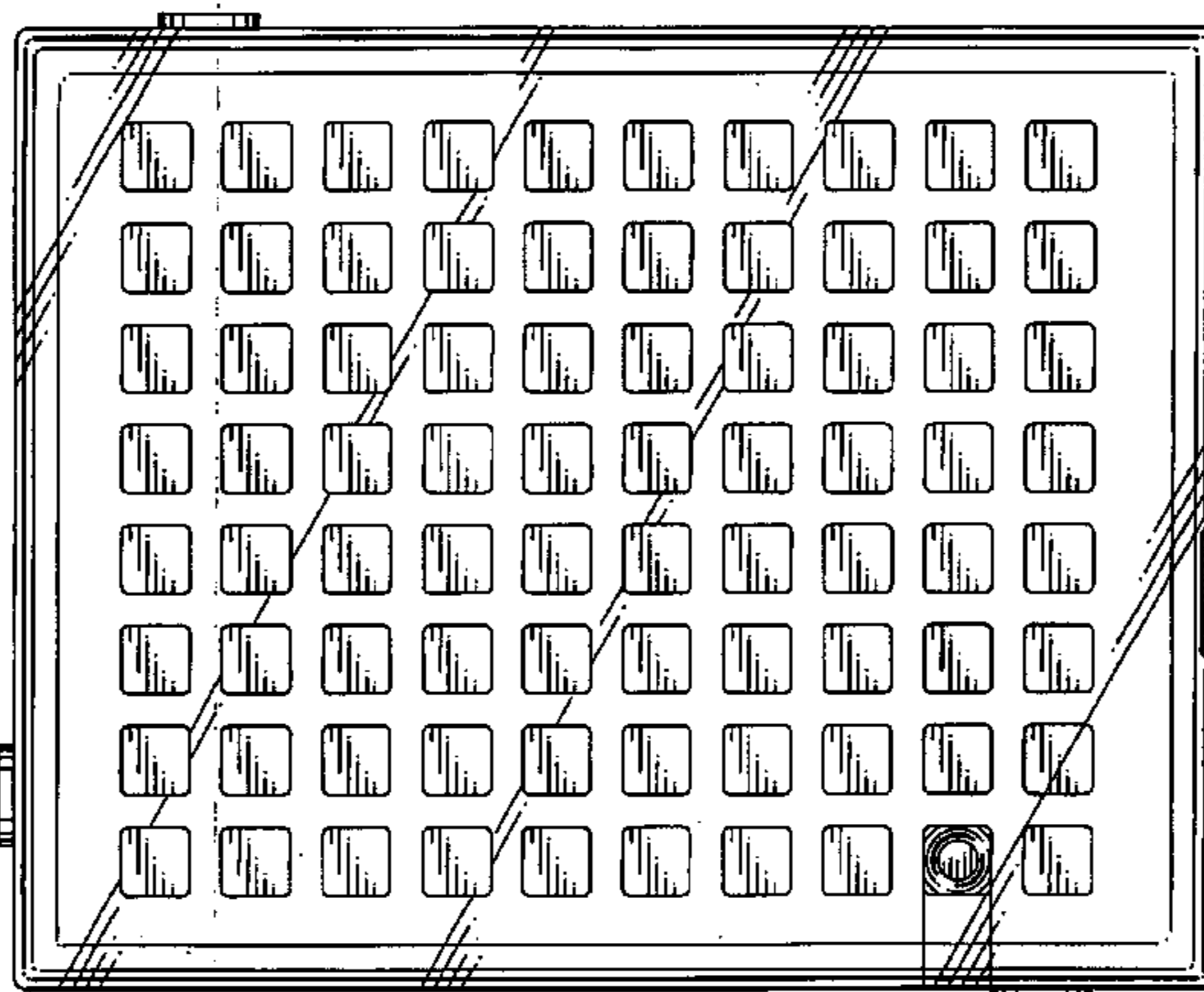
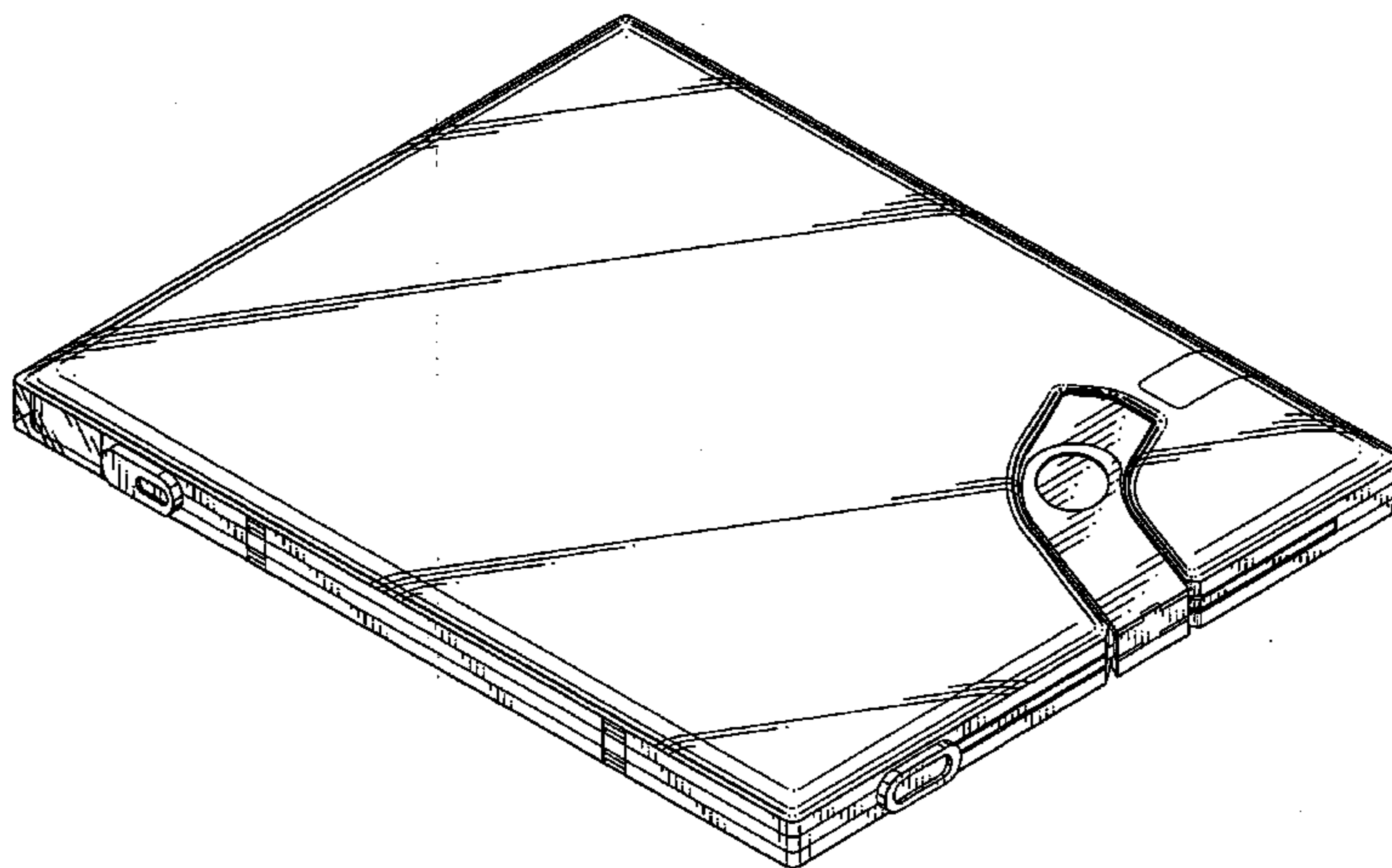
FIG. 4 is a right side elevational view thereof;

FIG. 5 is a left side elevational view thereof;

FIG. 6 is a rear elevational view thereof; and,

FIG. 7 is a front elevational view thereof.

**1 Claim, 4 Drawing Sheets**



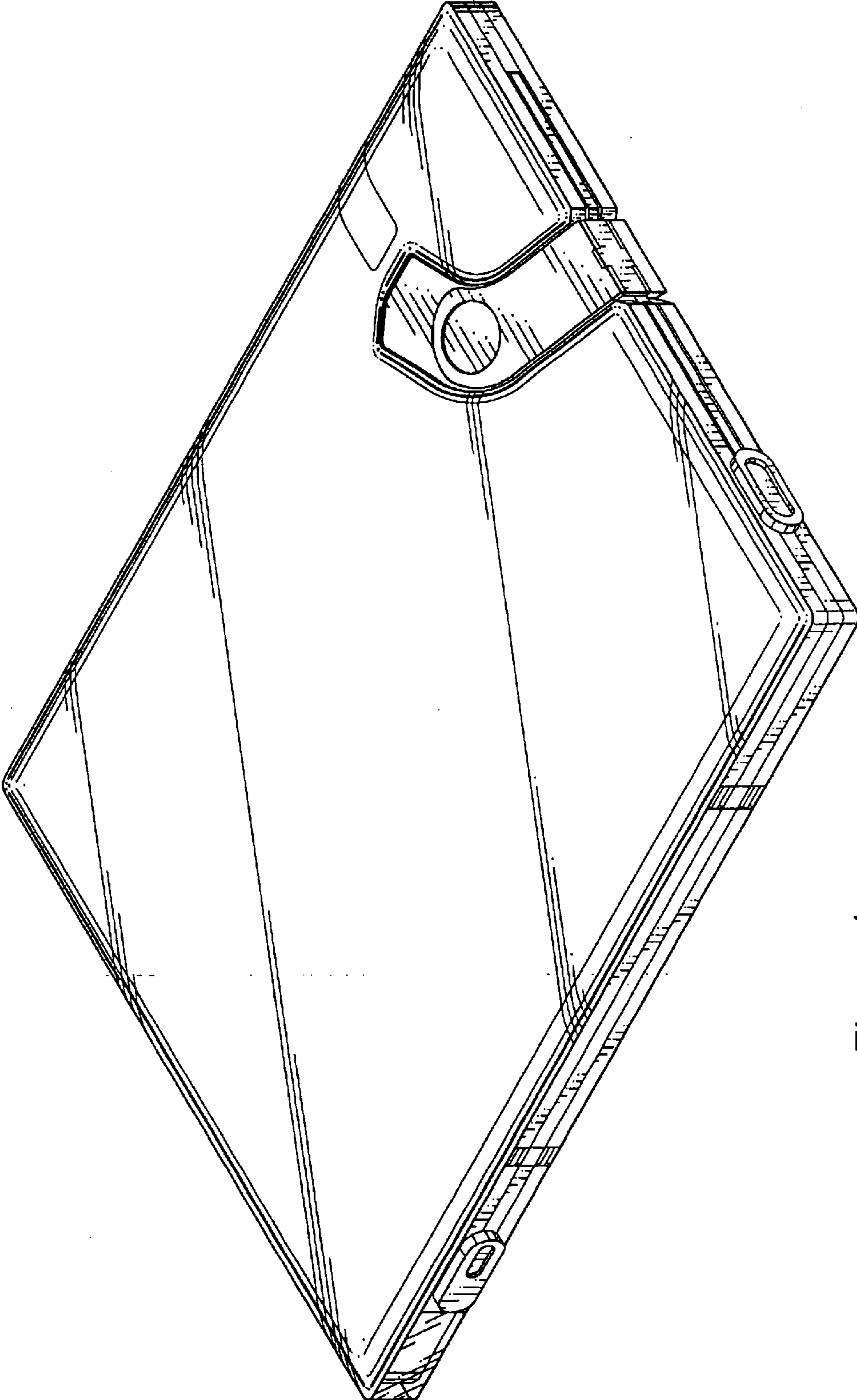


Figure 1

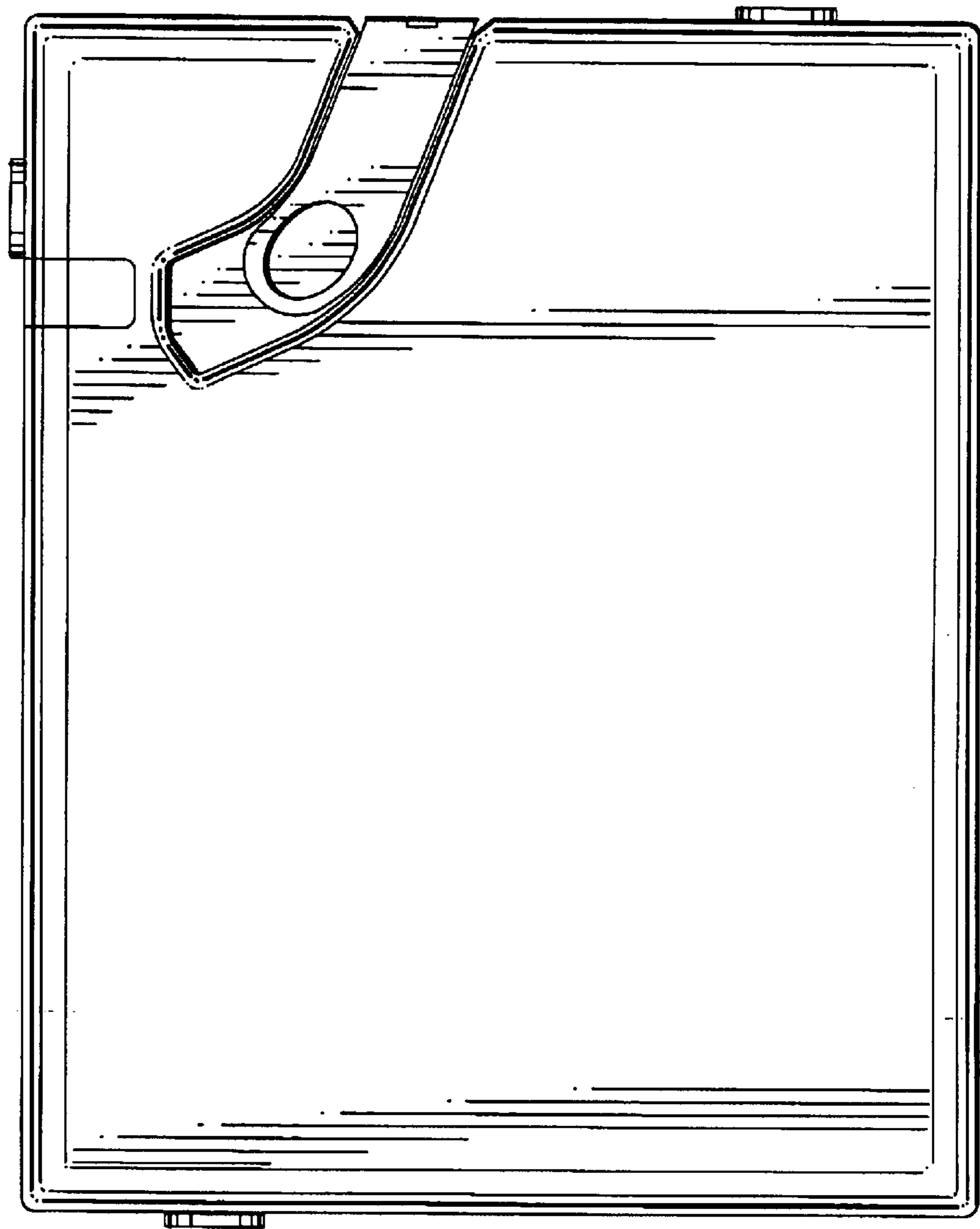


Figure 2

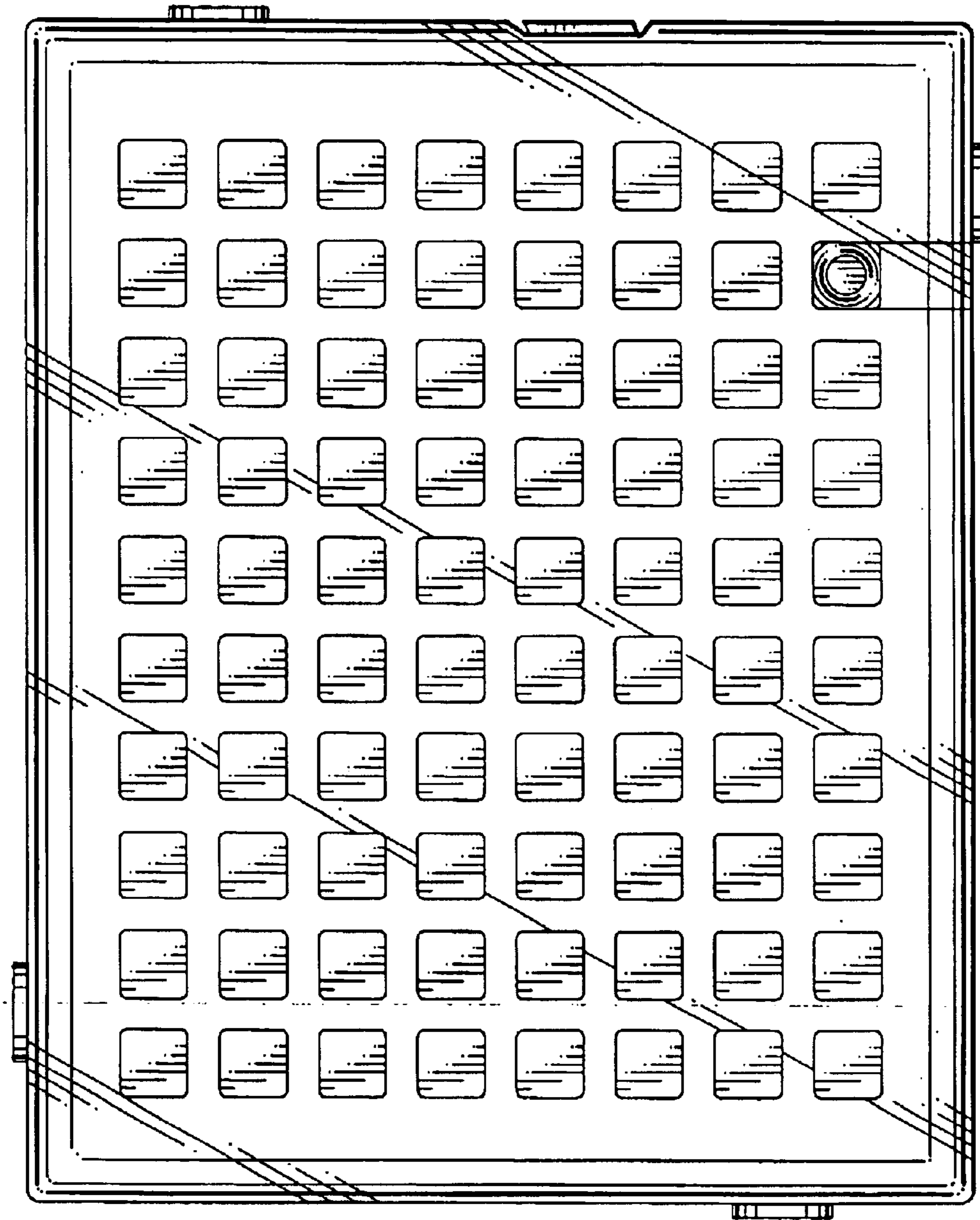


Figure 3



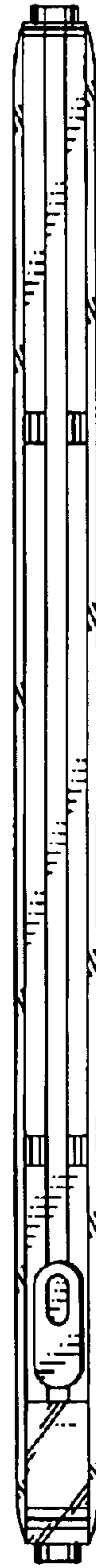
*Figure 4*



*Figure 5*



*Figure 6*



*Figure 7*