



US00D500034S

(12) **United States Design Patent**  
**Johnson**

(10) **Patent No.:** **US D500,034 S**

(45) **Date of Patent:** **\*\* Dec. 21, 2004**

(54) **PORTABLE INFORMATION COLLECTION  
AND PRESENTATION DEVICE**

*Primary Examiner—Freda S. Nunn*  
(74) *Attorney, Agent, or Firm—Kyle W. Rost*

(76) **Inventor:** **William L. Johnson**, 11615 Masonville  
Dr., Parker, CO (US) 80134

(57) **CLAIM**

The ornamental design for a portable information collection  
and presentation device, as shown and described.

(\*\*) **Term:** **14 Years**

(21) **Appl. No.:** **29/200,703**

**DESCRIPTION**

(22) **Filed:** **Mar. 3, 2004**

**Related U.S. Application Data**

(63) Continuation-in-part of application No. 10/345,534, filed on  
Jan. 16, 2003, now abandoned.

FIG. 1 is an exploded view of the portable information  
collection and presentation device showing interchangeable  
right and left end components, taken from a right front top  
position.

(51) **LOC (7) Cl.** ..... **14-02**

(52) **U.S. Cl.** ..... **D14/336**

(58) **Field of Search** ..... D14/341-346,  
D14/336, 337, 374, 339, 388; 345/173,  
104, 156, 168, 169; 361/680-686, 690-696

FIG. 2 is an assembled isometric view thereof, taken from a  
right front top position.

FIG. 3 is an assembled isometric view thereof, taken from a  
left rear bottom position.

(56) **References Cited**

**U.S. PATENT DOCUMENTS**

D456,399 S \* 4/2002 Yamamoto et al. .... D14/337  
D463,420 S \* 9/2002 Stener et al. .... D14/336  
D479,230 S \* 9/2003 Hirose et al. .... D14/337

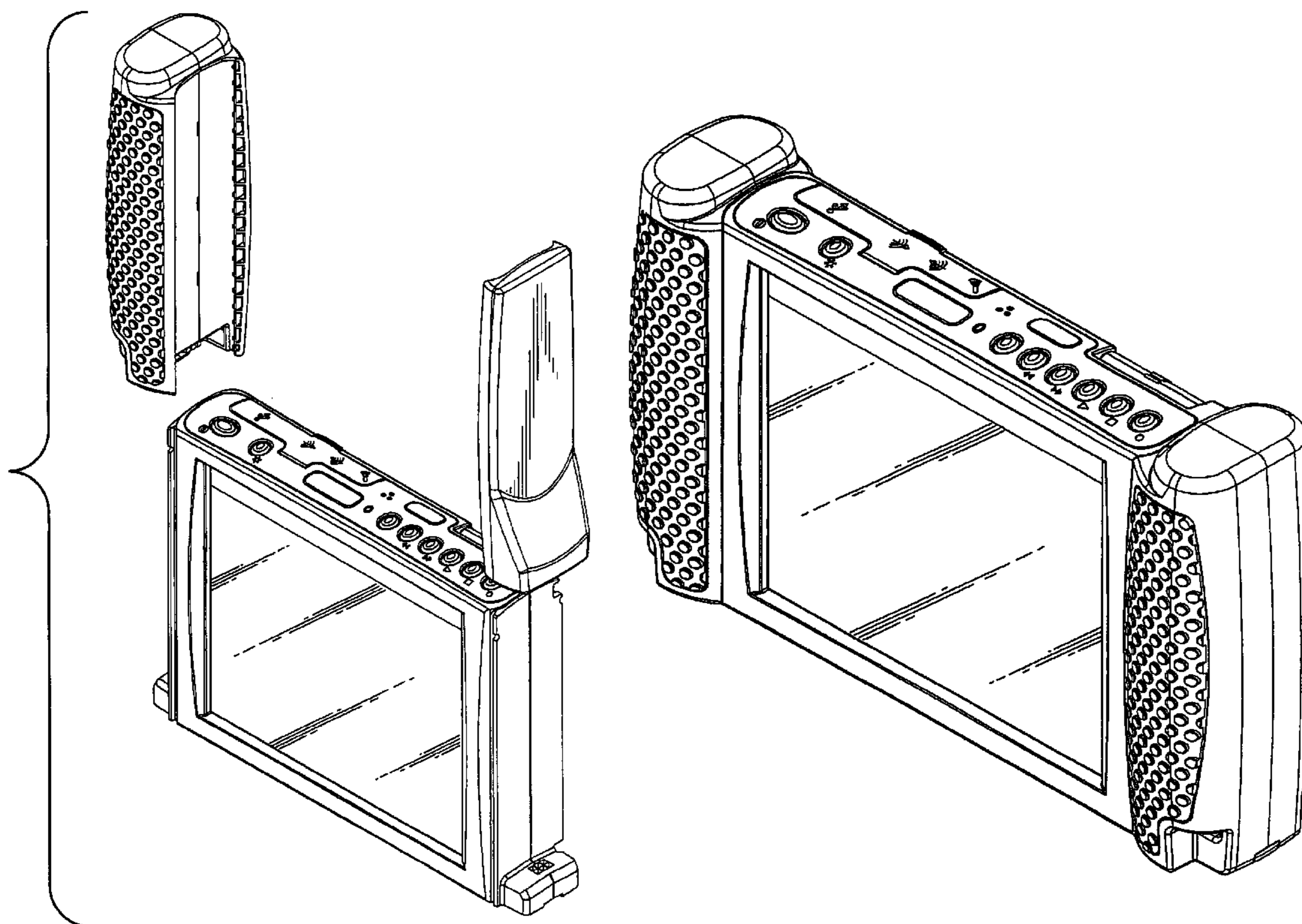
FIG. 4 is a view similar to FIG. 2, showing an assembled  
view thereof with a left hand end component of FIG. 1 on  
both right and left ends thereof; and,

FIG. 5 is a view similar to FIG. 3, showing an assembled  
view thereof with a left hand end component of FIG. 1 on  
both right and left ends thereof.

The right and left end components of FIG. 1 are interchange-  
able in positions, or both end components may be of the type  
shown as the left end component.

\* cited by examiner

**1 Claim, 5 Drawing Sheets**



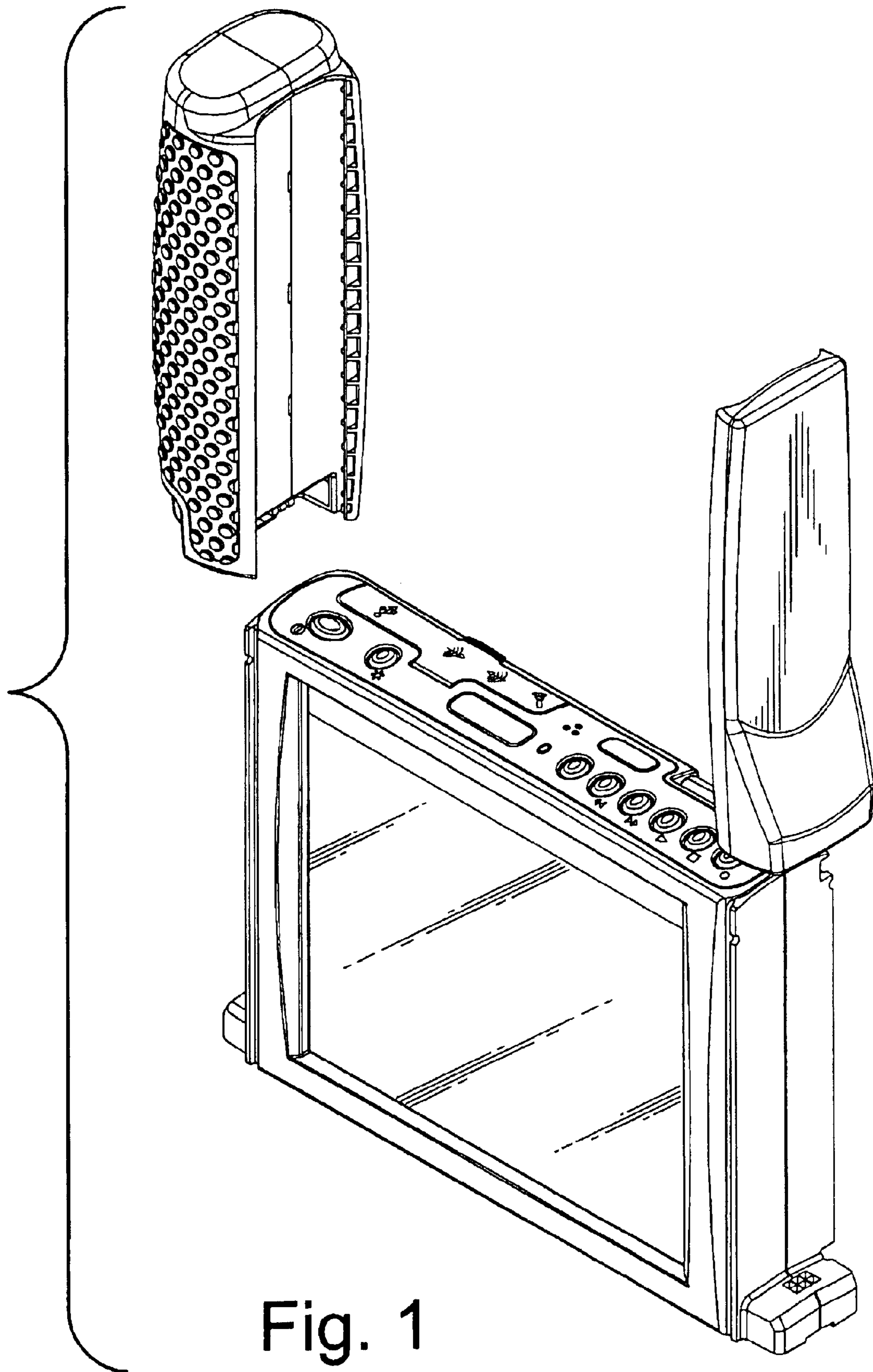


Fig. 1

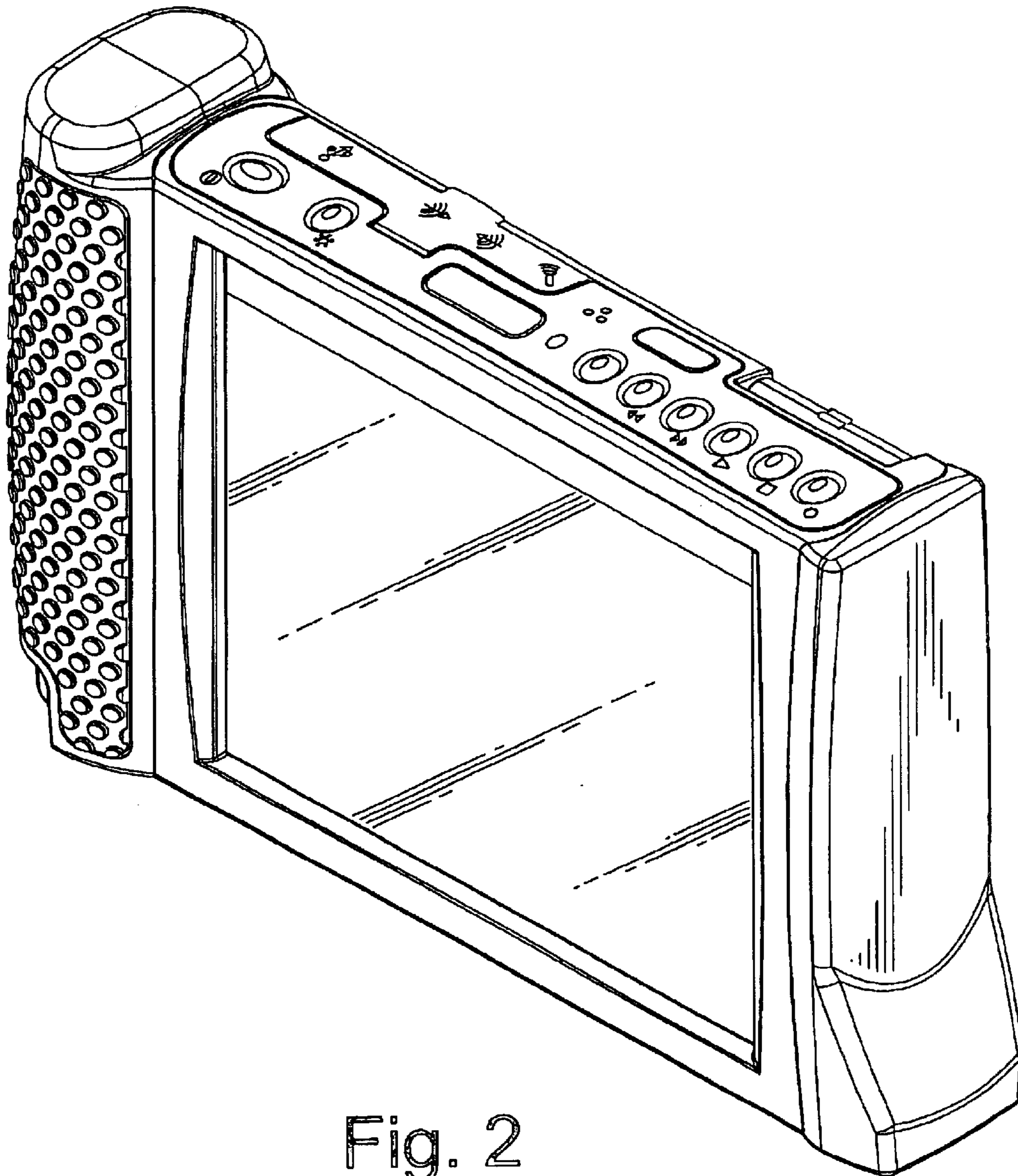


Fig. 2

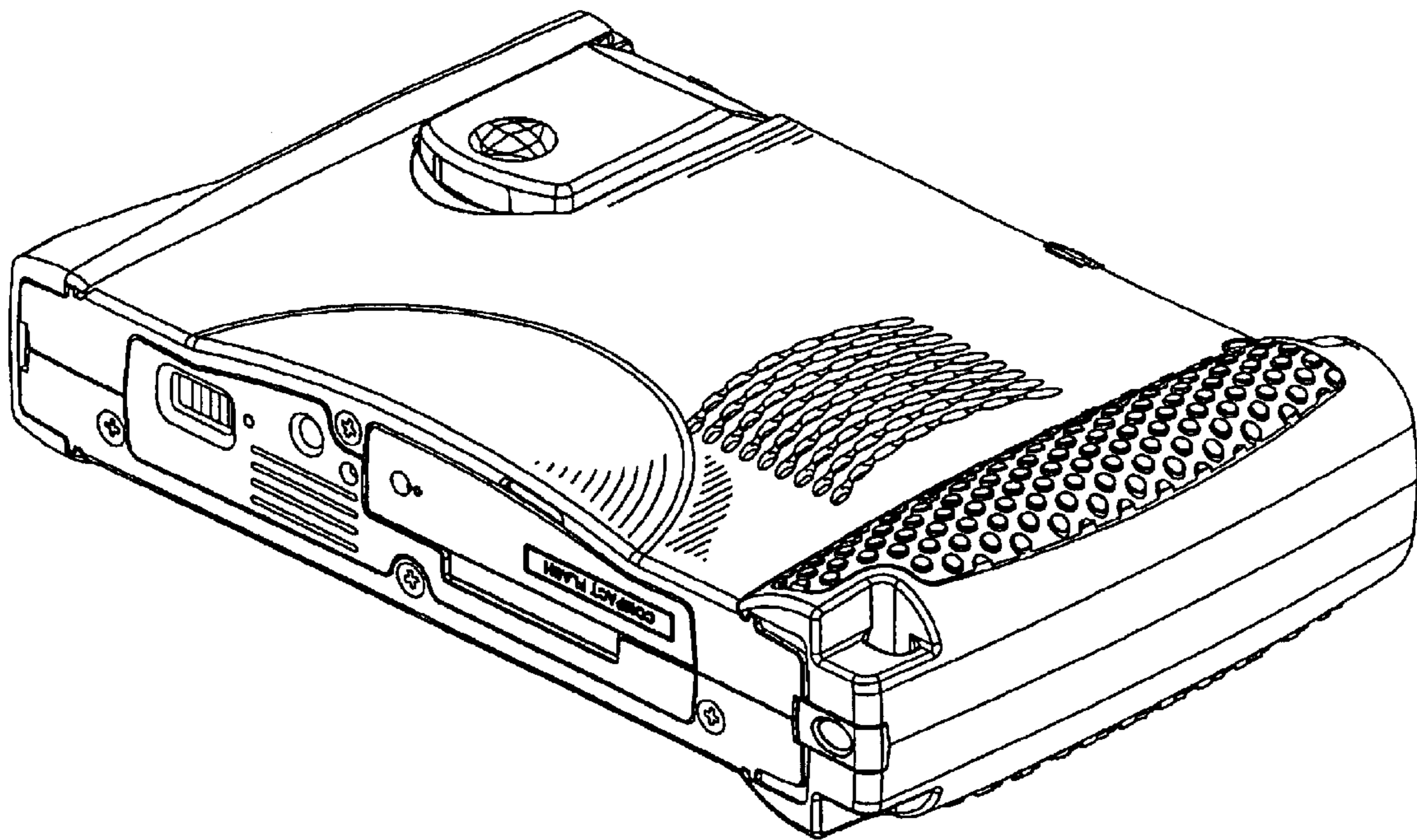


FIG. 3

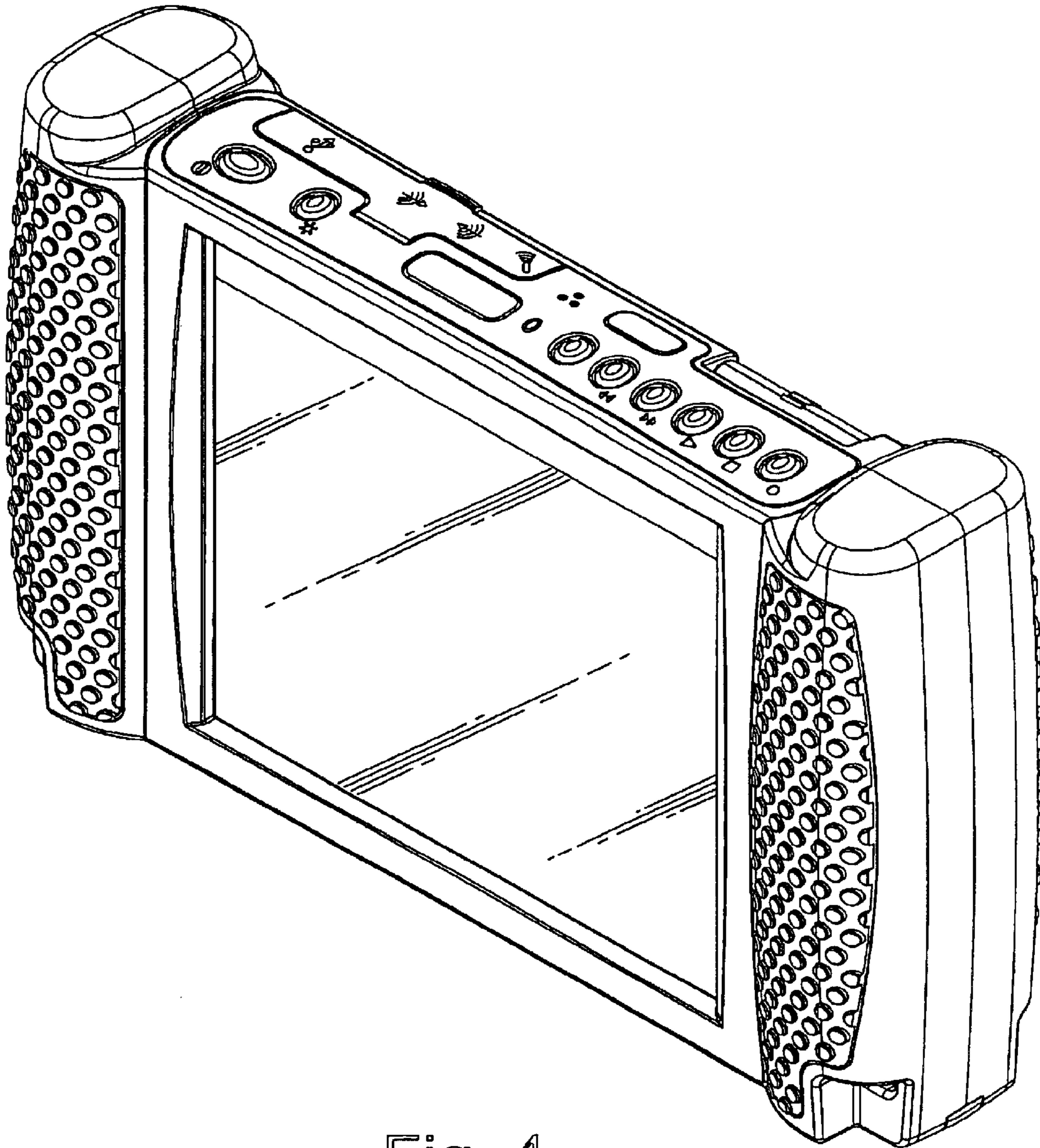


Fig. 4

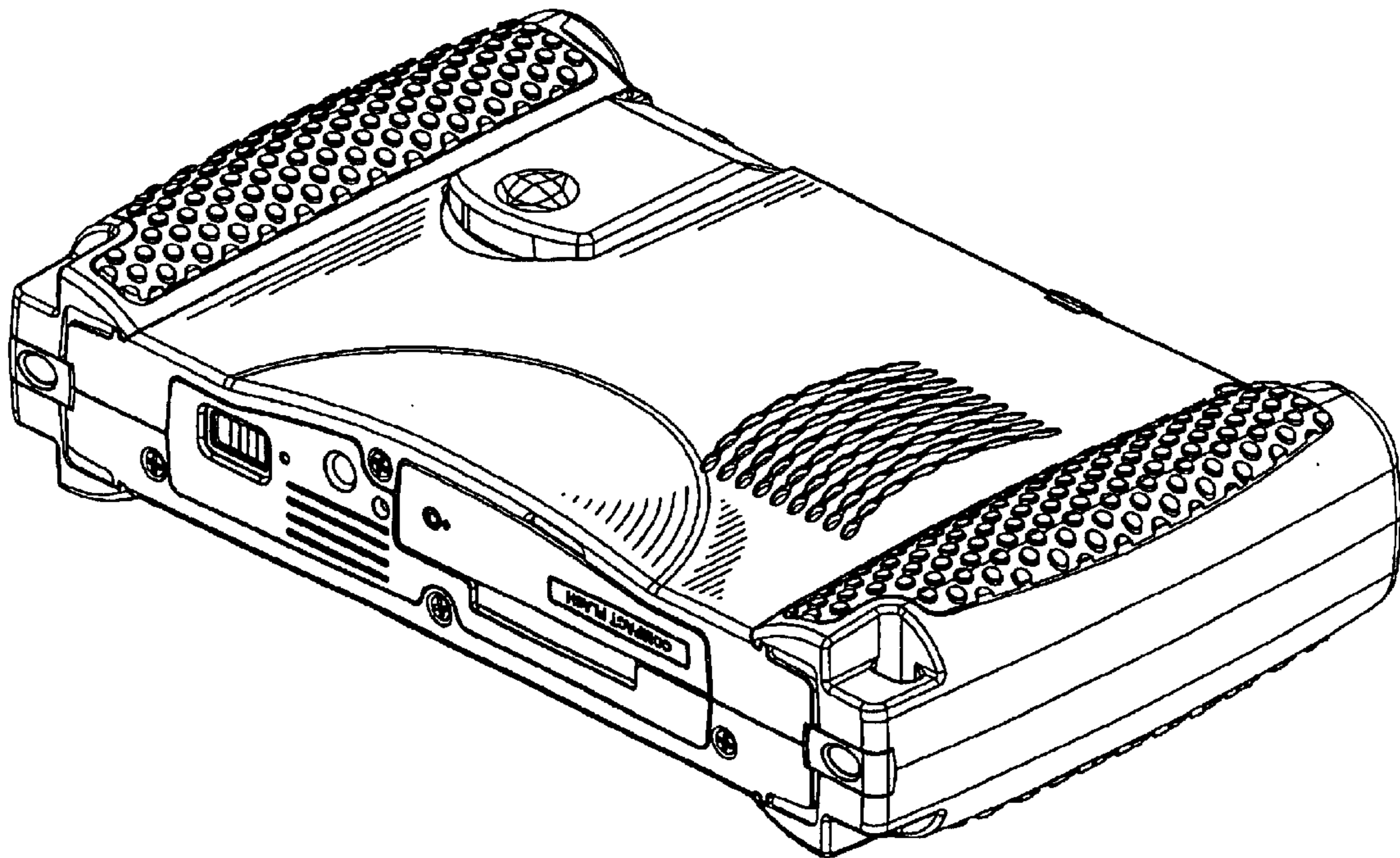


Fig. 5