

US00D500030S

(12) **United States Design Patent**
Dietz et al.

(10) **Patent No.: US D500,030 S**

(45) **Date of Patent: ** Dec. 21, 2004**

(54) **SPEAKER BASE**

D437,843 S * 2/2001 Masui D14/215
D478,565 S * 8/2003 Oikawa D14/211

(75) Inventors: **David S. Dietz**, Camus, WA (US);
Joseph M. Westrup, Portland, OR
(US)

* cited by examiner

Primary Examiner—Nanda Bondade

(73) Assignee: **Cyber Acoustics, LLC**, Vancouver, WA
(US)

(74) *Attorney, Agent, or Firm*—Chernoff, Vilhauer,
McClung & Stenzel, LLP

(**) Term: **14 Years**

(57) **CLAIM**

The ornamental design for a speaker base, as shown and described.

(21) Appl. No.: **29/198,878**

(22) Filed: **Feb. 4, 2004**

DESCRIPTION

(51) **LOC (7) Cl.** **14-01**

FIG. 1 is a perspective view of the speaker base embodying our new design;

(52) **U.S. Cl.** **D14/224**

FIG. 2 is a side view thereof;

(58) **Field of Search** D14/204, 211,

FIG. 3 is a top view thereof;

D14/221, 224; D6/449, 451, 455, 466,

FIG. 4 is a front view thereof; and,

486; 248/39, 121, 125, 146, 149, 244, 311.2;

FIG. 5 is a rear view thereof.

381/182, 336, 387

In FIGS. 1-2 and 4-5, control knobs in the speaker base and a speaker housing and grille as shown in broken line for illustrative purposes only and form no part of the claimed design.

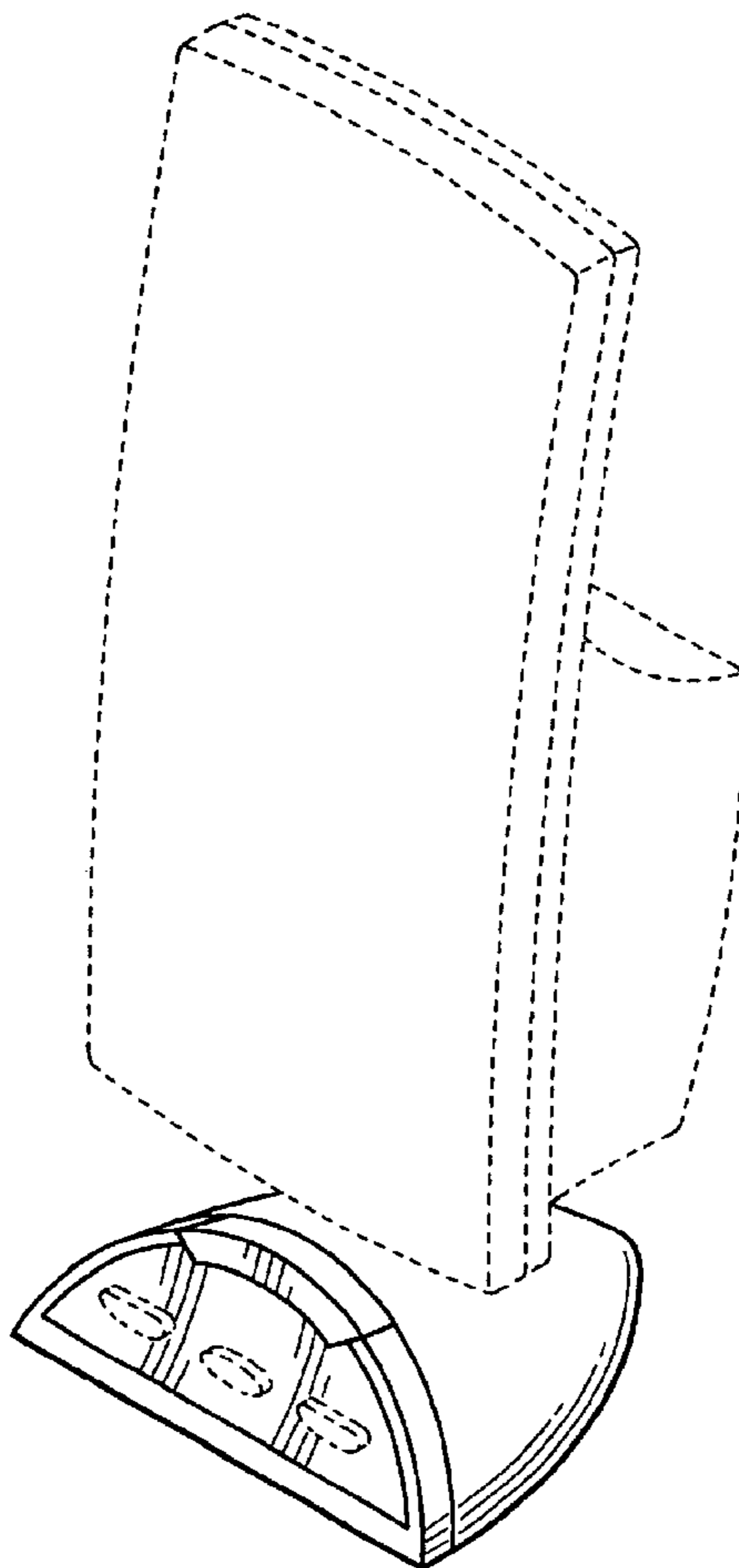
(56) **References Cited**

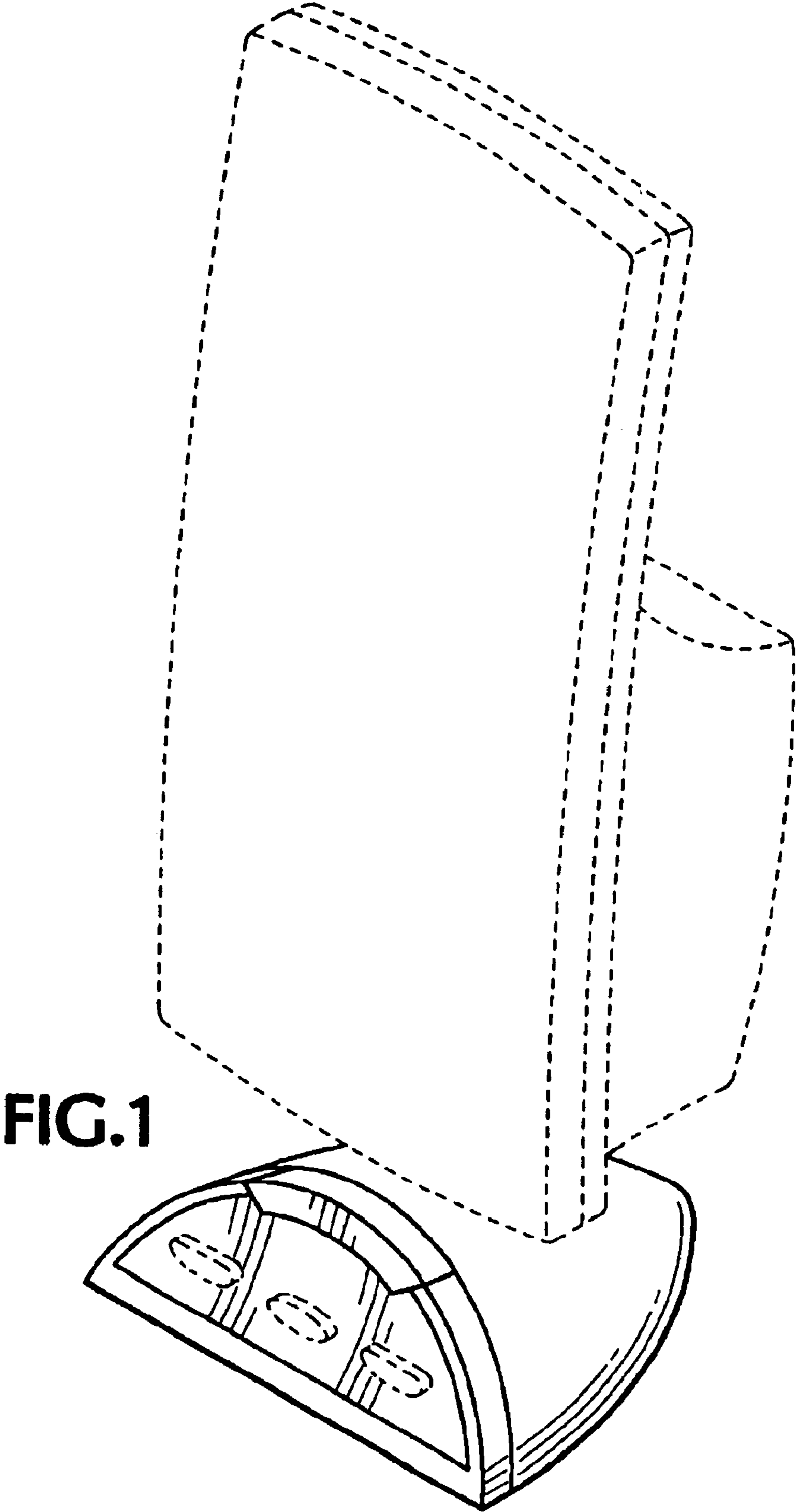
U.S. PATENT DOCUMENTS

D391,574 S * 3/1998 Chen D14/211

D437,305 S * 2/2001 Dietz et al. D14/211

1 Claim, 3 Drawing Sheets





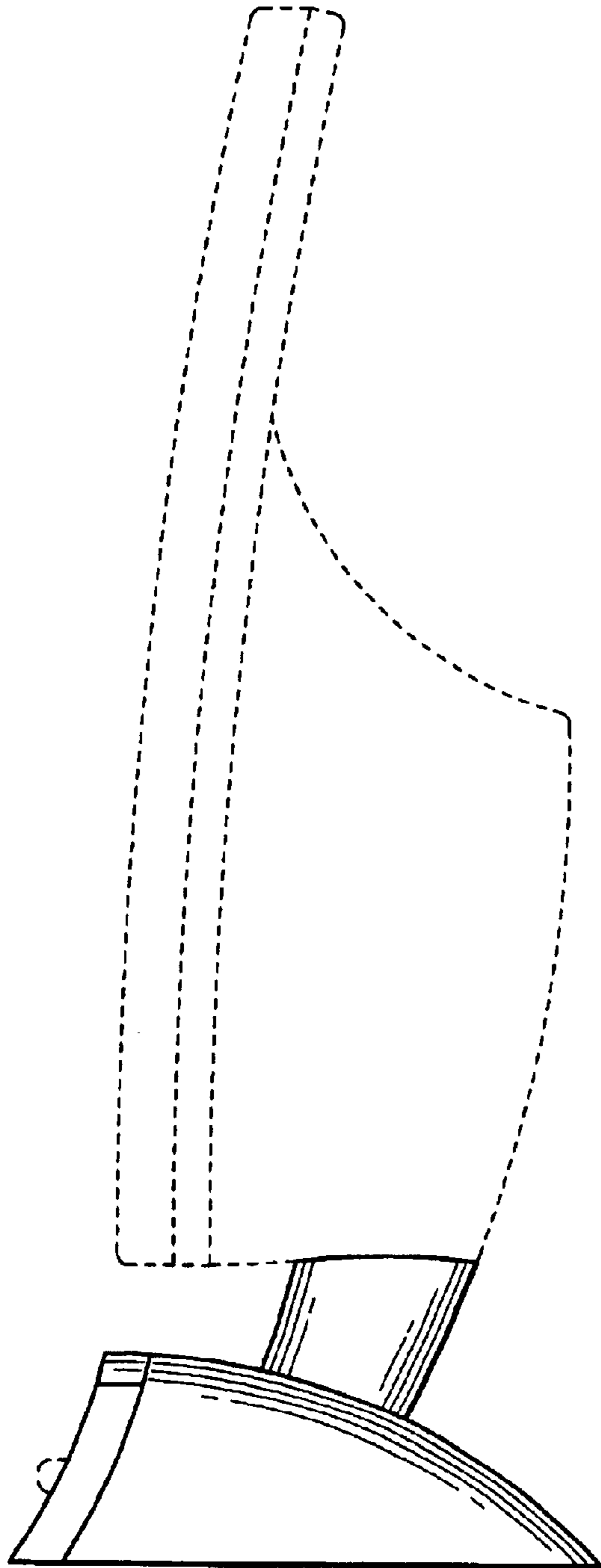


FIG. 2

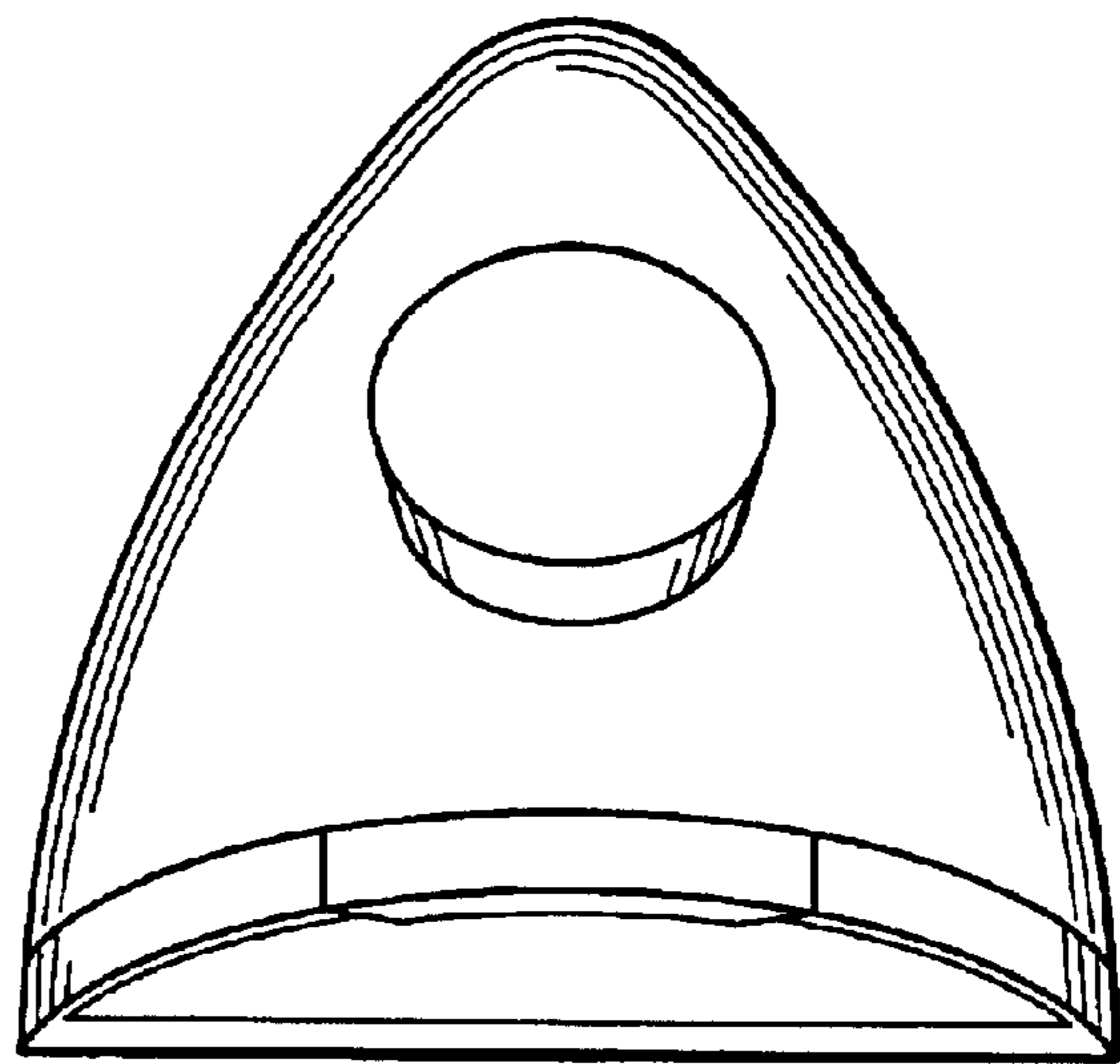


FIG. 3

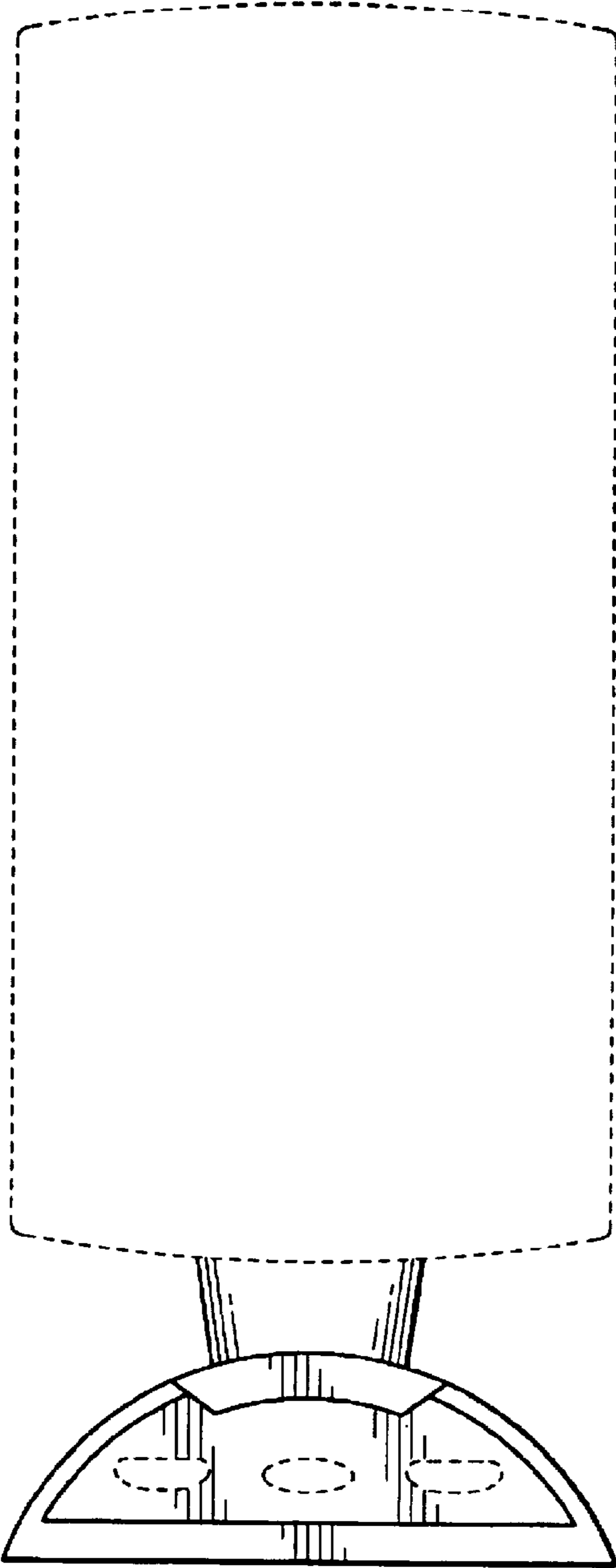


FIG. 4

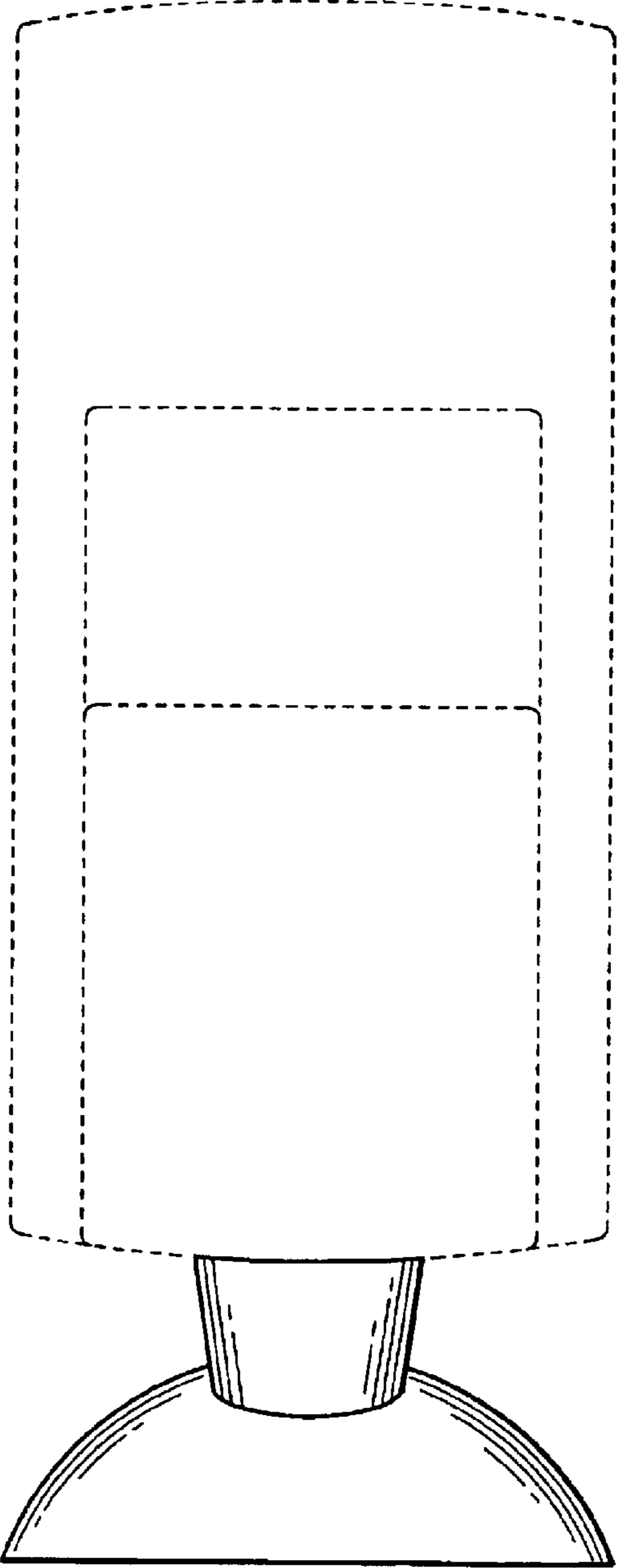


FIG. 5