

US00D500026S

(12) **United States Design Patent**  
**Sato et al.**

(10) **Patent No.:** **US D500,026 S**

(45) **Date of Patent:** **\*\* Dec. 21, 2004**

(54) **OPTICAL PICKUP**

(75) Inventors: **Yoshiaki Sato**, Yamagata (JP); **Atsushi Okuyama**, Yamagata (JP); **Hiroyuki Okuda**, Yamagata (JP)

(73) Assignee: **Mitsumi Electric Co., Ltd.**, Tokyo (JP)

(\*\*) Term: **14 Years**

(21) Appl. No.: **29/185,096**

(22) Filed: **Jun. 24, 2003**

(30) **Foreign Application Priority Data**

Dec. 25, 2002 (JP) ..... 2002-035816

(51) **LOC (7) Cl.** ..... **14-99**

(52) **U.S. Cl.** ..... **D14/217; D14/260.1**

(58) **Field of Search** ..... D14/156, 217, D14/239, 260, 260.1, 262; 242/333.6, 356.4, 356.7; 360/74.2, 71, 96.1, 114; 369/44.15, 44.37, 112.24, 244-247, 263-264

(56) **References Cited**

**U.S. PATENT DOCUMENTS**

4,386,381 A \* 5/1983 Itai ..... 360/74.2

6,097,690 A \* 8/2000 Mochizuki et al. .... 369/112.24

D435,039 S \* 12/2000 Miike ..... D14/239

D476,314 S \* 6/2003 Imi et al. .... D14/217

\* cited by examiner

*Primary Examiner*—Nanda Bondade

(74) *Attorney, Agent, or Firm*—Sughrue Mion, PLLC

(57) **CLAIM**

The ornamental design for an optical pickup, as shown.

**DESCRIPTION**

FIG. 1 is a perspective view of the top, front and left side of an optical pickup showing our new design;

FIG. 2 is a perspective view of the bottom, rear and right side thereof;

FIG. 3 is a left side elevational view thereof;

FIG. 4 is a right side elevational view thereof;

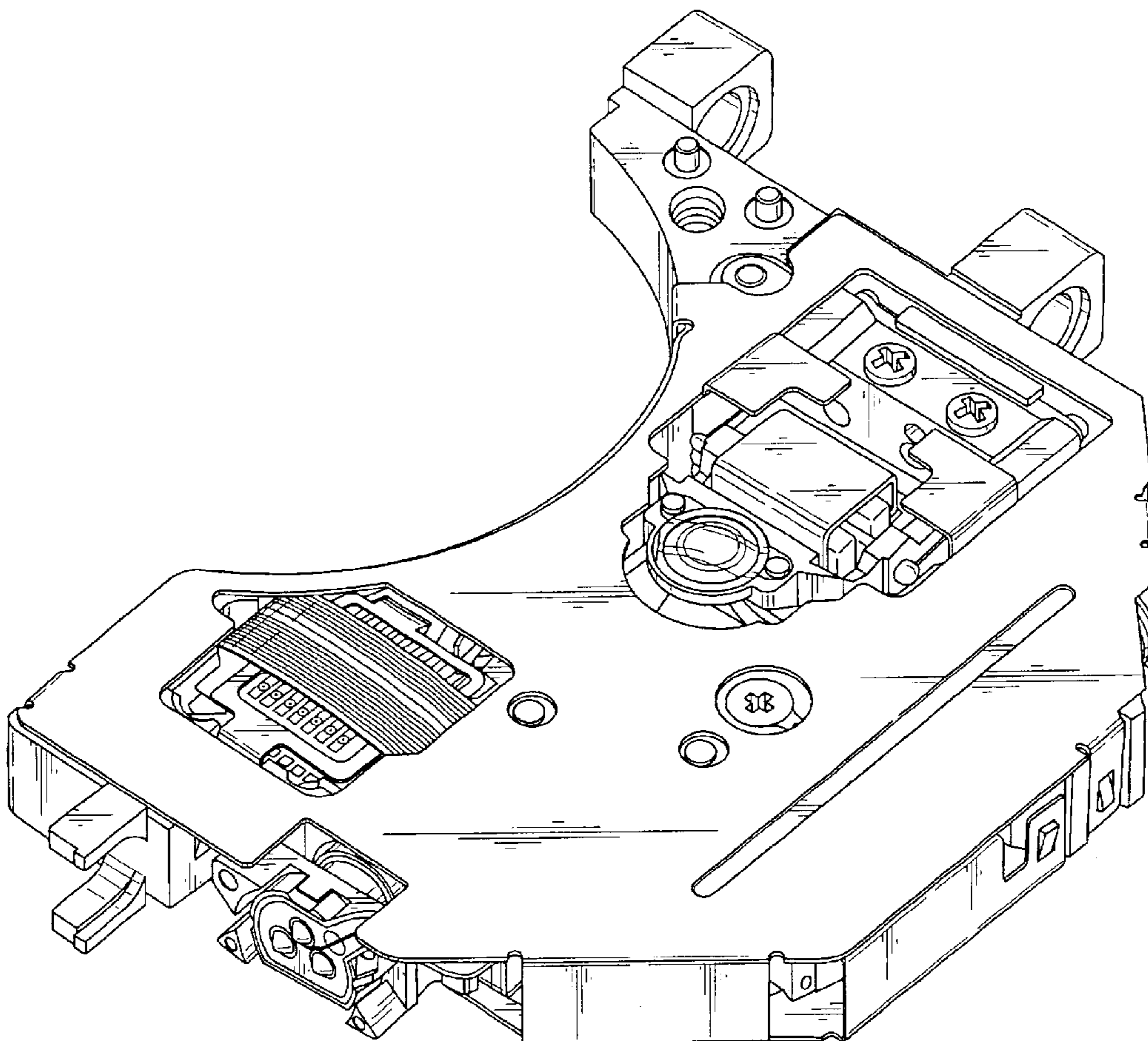
FIG. 5 is a front elevational view thereof;

FIG. 6 is a rear elevational view thereof;

FIG. 7 is a top plan view thereof; and,

FIG. 8 is a bottom plan view thereof.

**1 Claim, 6 Drawing Sheets**



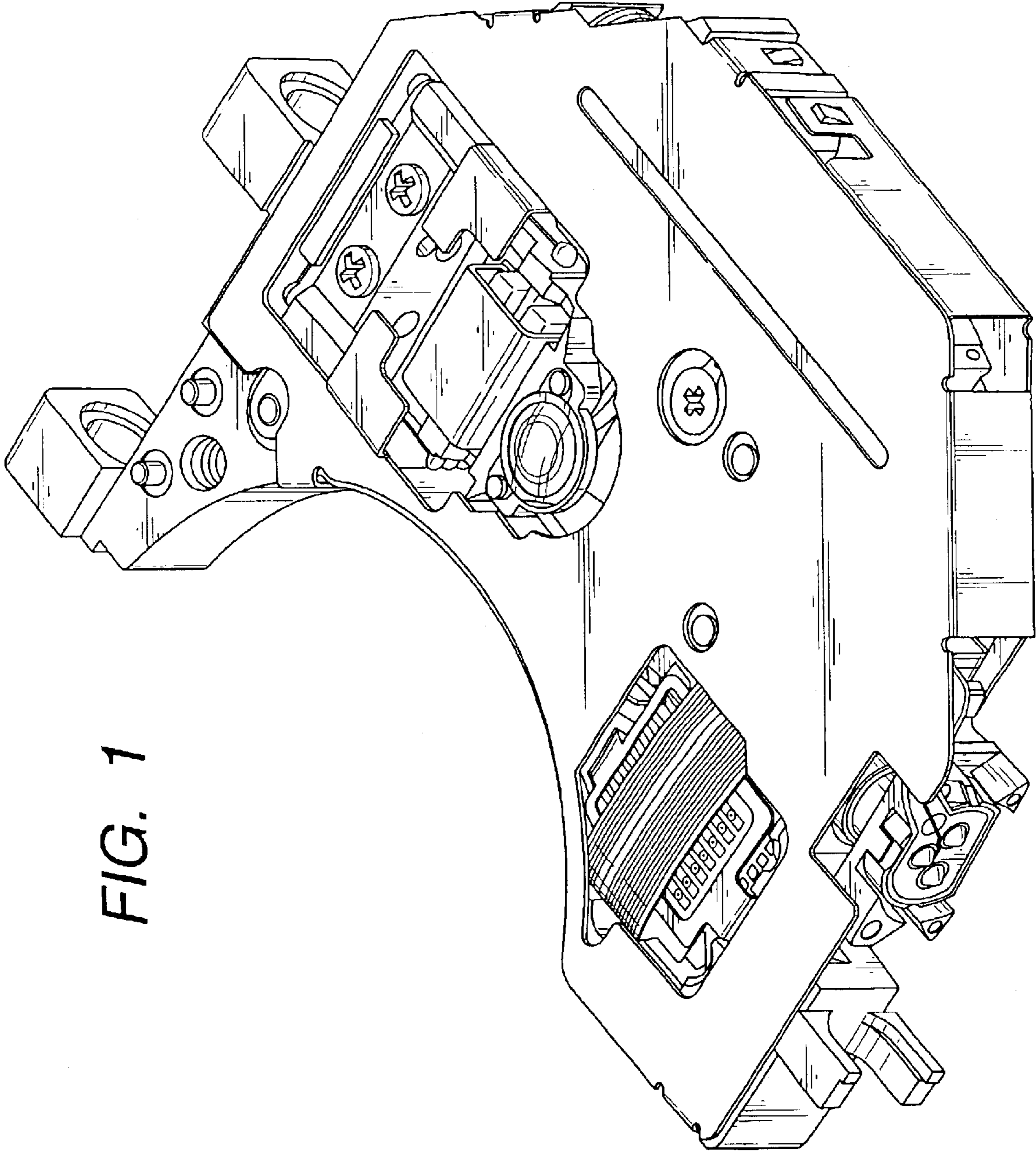


FIG. 1



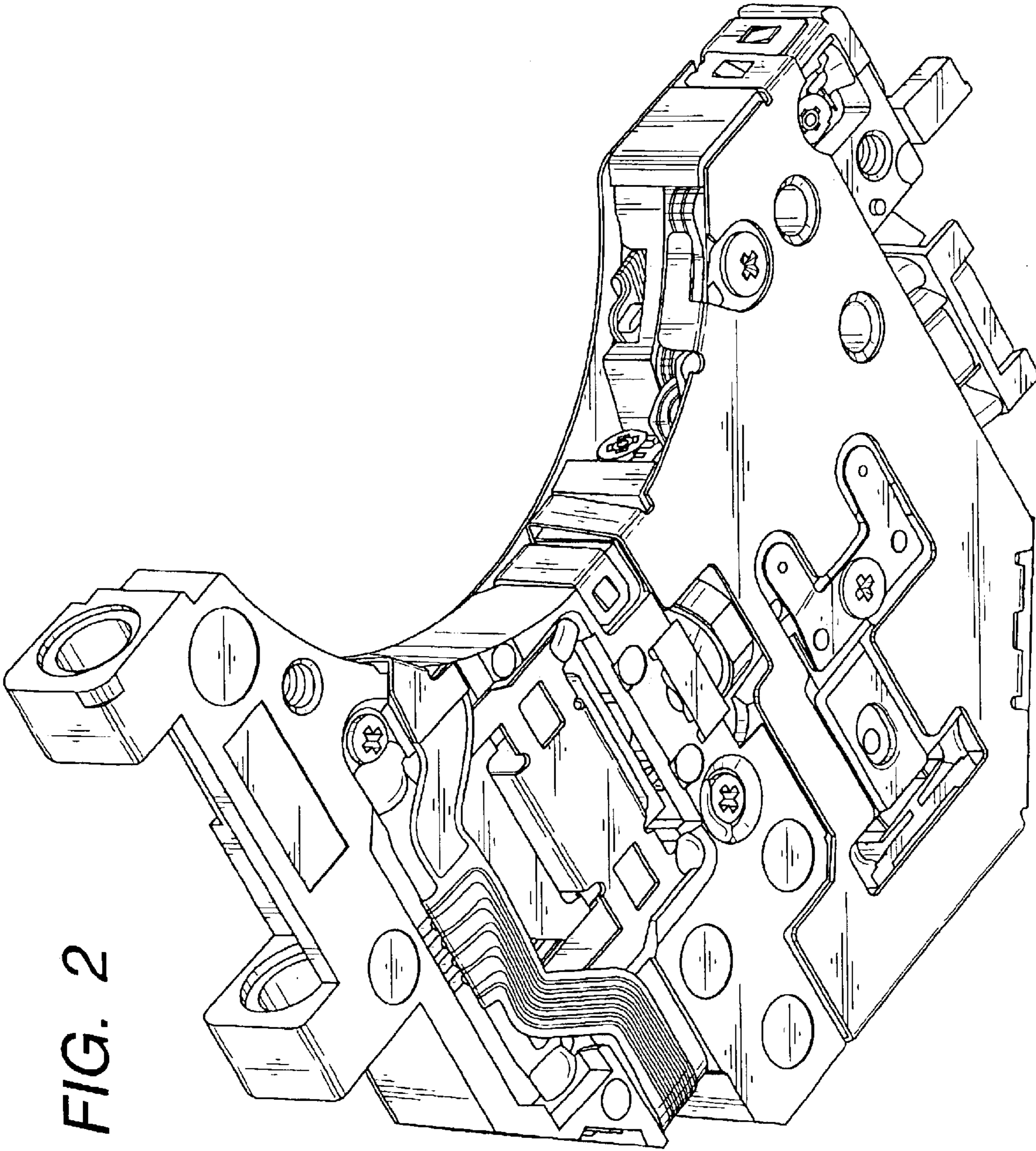
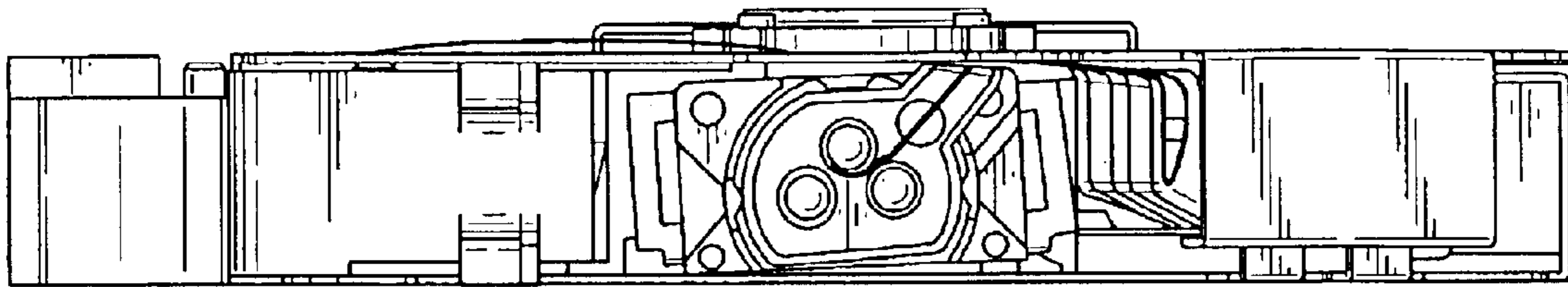


FIG. 2

*FIG. 3*



*FIG. 4*

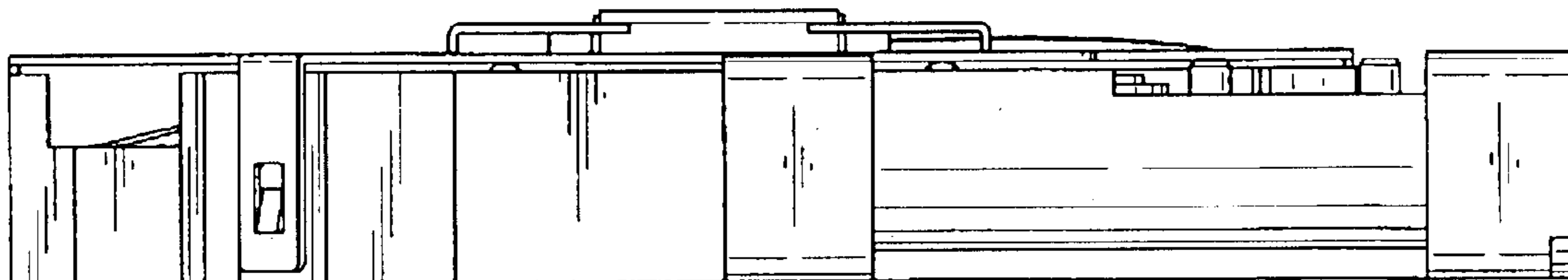


FIG. 5

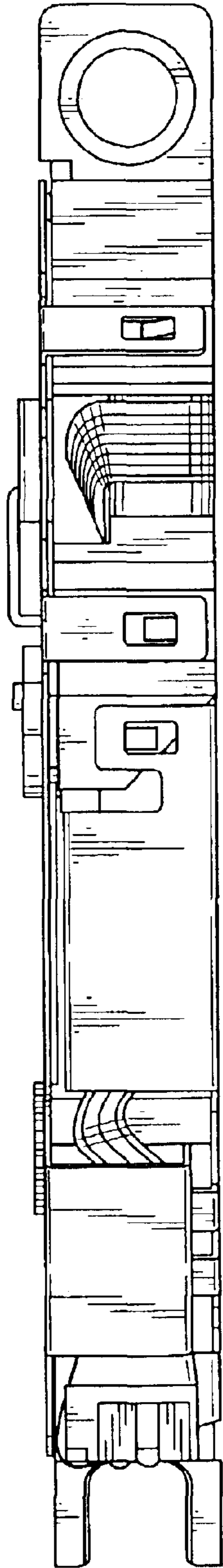
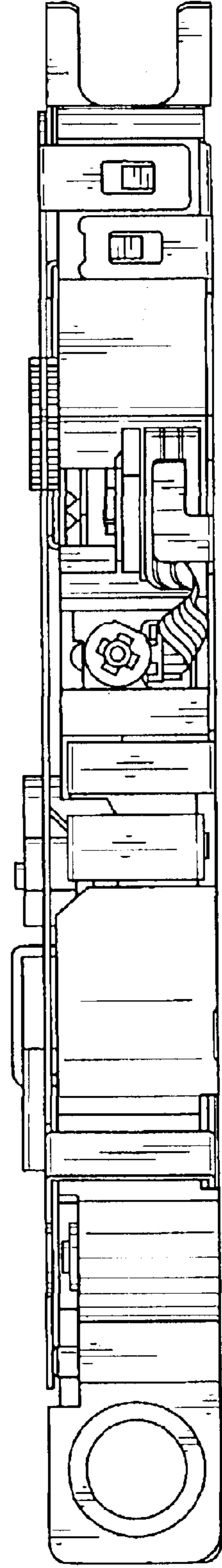
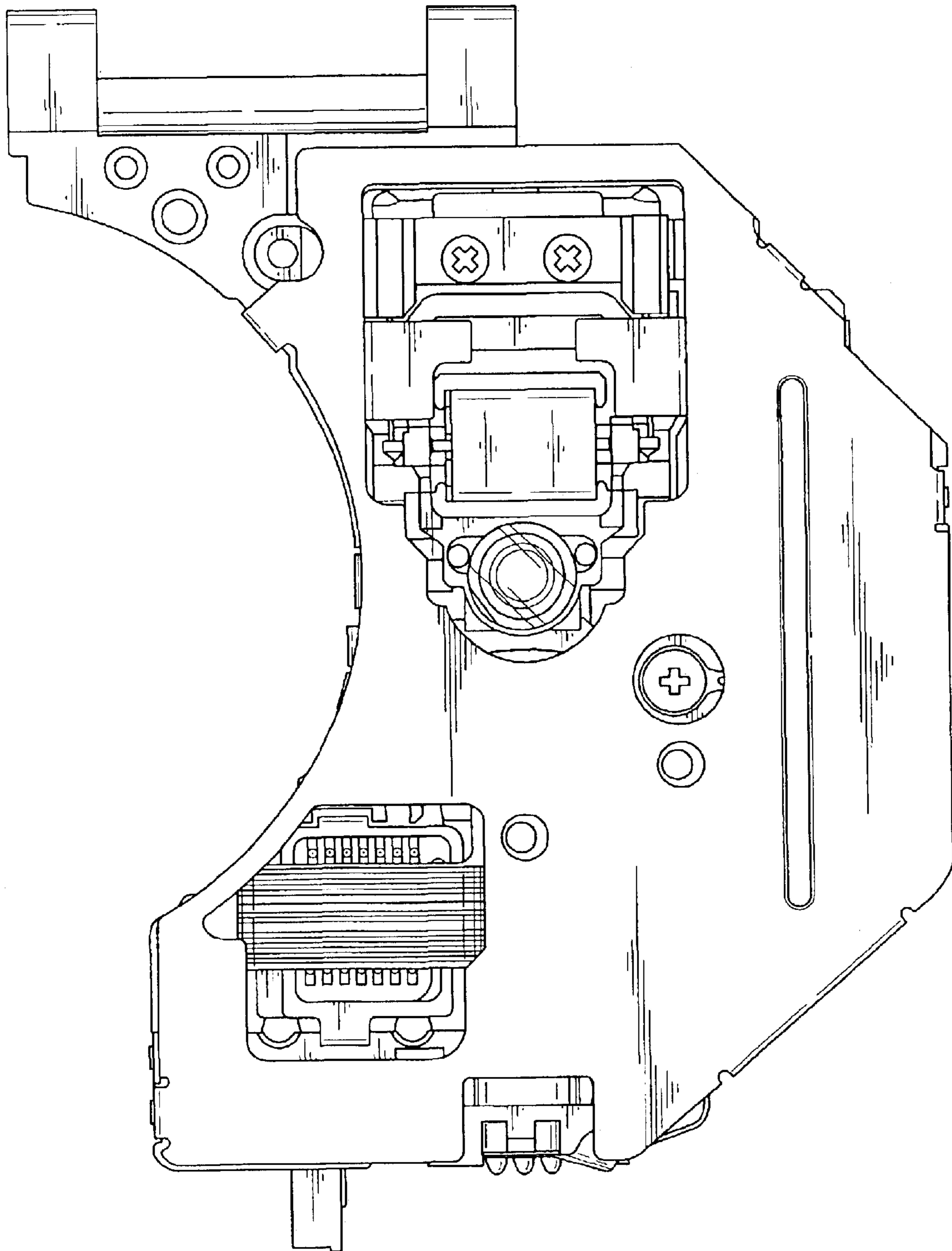


FIG. 6



*FIG. 7*



*FIG. 8*

