

US00D500025S

(12) **United States Design Patent**
Vincenot et al.

(10) **Patent No.:** **US D500,025 S**
(45) **Date of Patent:** **** Dec. 21, 2004**

(54) **LOUD SPEAKER**

(75) Inventors: **Eric Vincenot**, Paris (FR); **François Deffarges**, Courbevoie (FR)

(73) Assignee: **NEXO**, Villepinte (FR)

(**) Term: **14 Years**

(21) Appl. No.: **29/188,736**

(22) Filed: **Aug. 25, 2003**

(30) **Foreign Application Priority Data**

Feb. 25, 2003 (FR) 03 1176

(51) **LOC (7) Cl.** **14-01**

(52) **U.S. Cl.** **D14/215; D14/204**

(58) **Field of Search** D14/204, 207,
D14/209-216, 356, 172; 181/143-144,
147-148, 150, 157, 198-199, 151, 153;
381/300-302, 306, 333, 345, 361-364,
386-388

(56) **References Cited**

U.S. PATENT DOCUMENTS

D266,243 S * 9/1982 Gollehon D14/215
D376,363 S * 12/1996 Oberbillig D14/214
D405,794 S * 2/1999 Olsen D14/204
D419,158 S * 1/2000 Mackie et al. D14/214

OTHER PUBLICATIONS

Monarc MLAS (speaker element), date unknown.

JBL Vertec (speaker), date unknown.

EAW KF-781 "Last modified Oct. 26, 2002" (line array speaker element).

Italian design deposit in the name of Outline dl Noselli, No. 20020000020 filed Jul. 9, 2002.

* cited by examiner

Primary Examiner—Nanda Bondade

(74) *Attorney, Agent, or Firm*—Young & Thompson

(57) **CLAIM**

The ornamental design for a loud speaker, as shown.

DESCRIPTION

FIG. 1 is a top and front perspective view of a loud speaker showing our new design;

FIG. 2 is a front elevational view thereof;

FIG. 3 is a top plan view thereof;

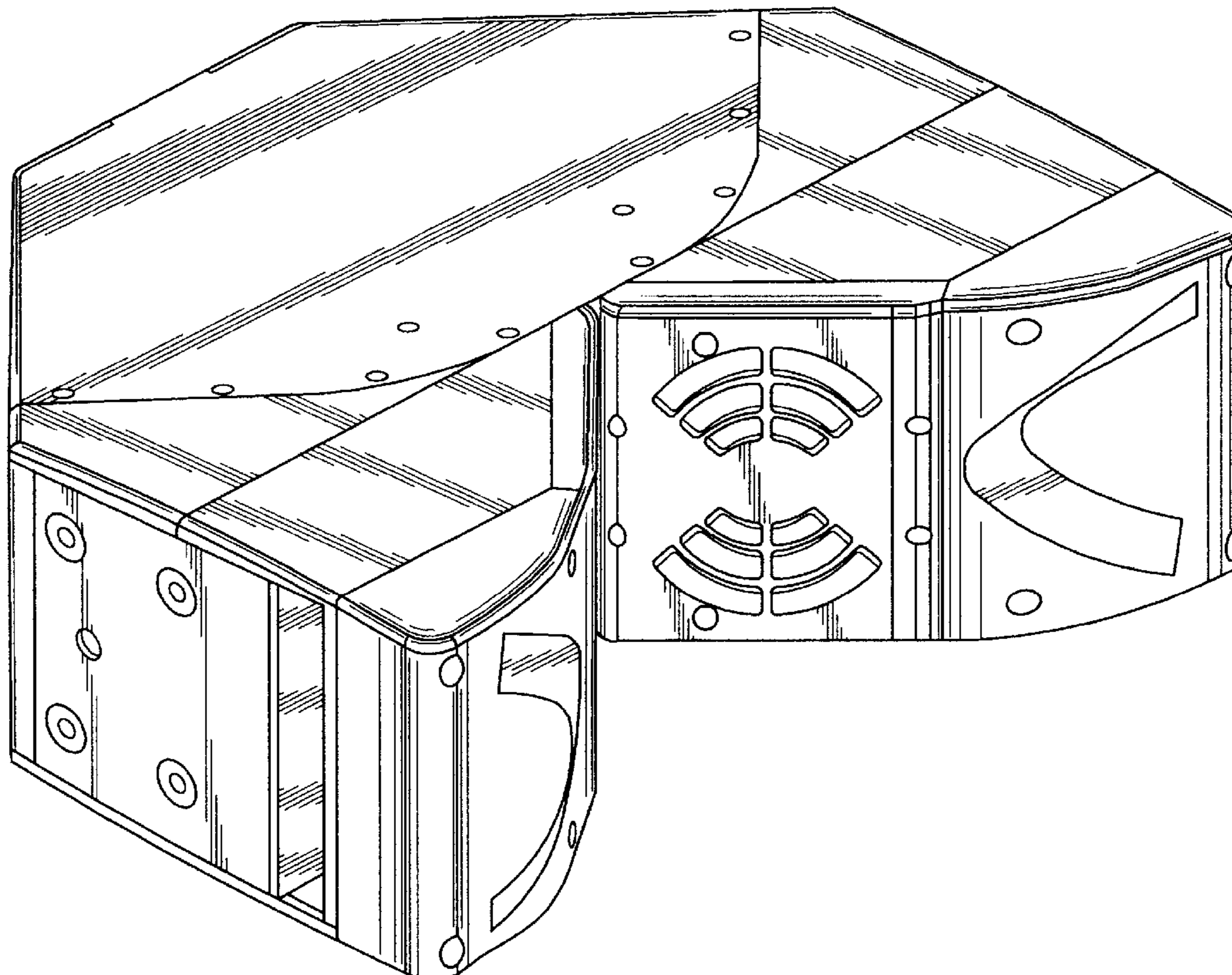
FIG. 4 is a bottom plan view thereof;

FIG. 5 is side elevational view thereof from the left of FIG. 2;

FIG. 6 is side elevational view thereof from the right of FIG. 2; and,

FIG. 7 is a rear elevational view thereof.

1 Claim, 7 Drawing Sheets



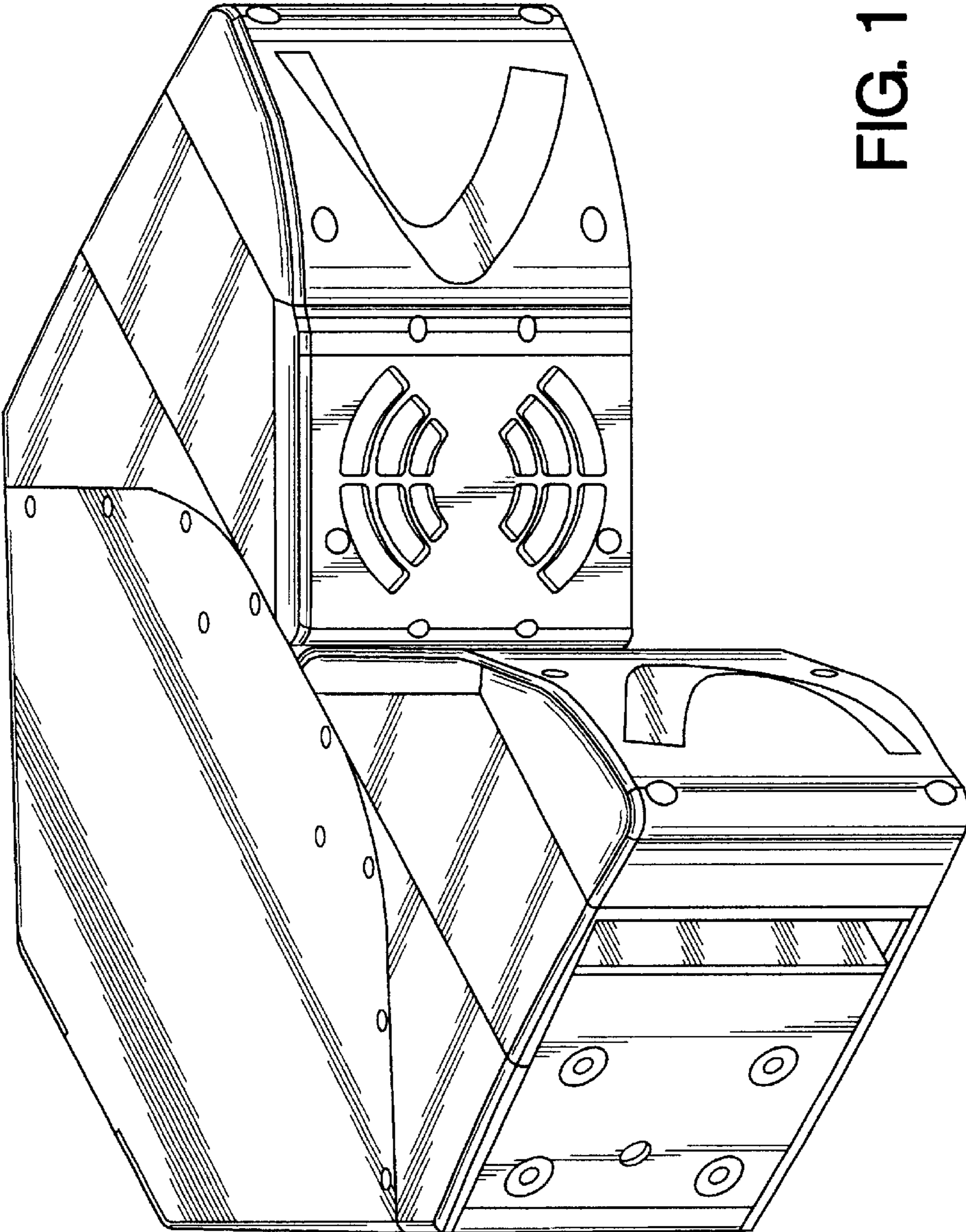


FIG. 1

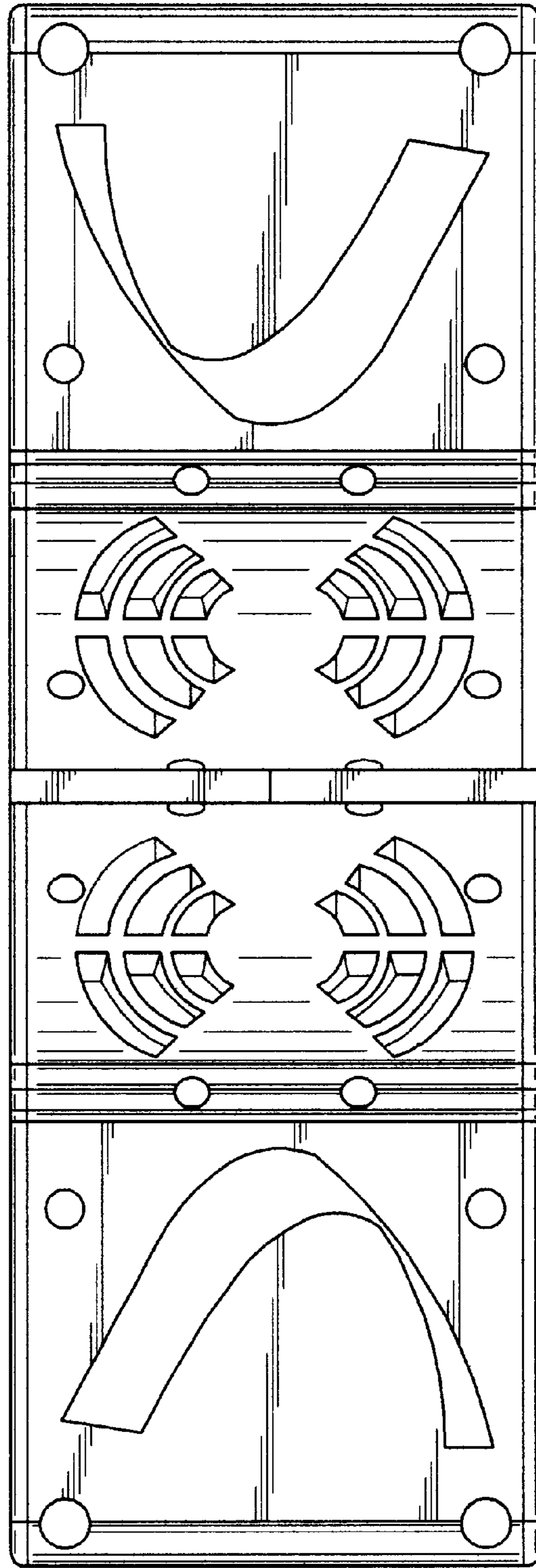


FIG. 2

FIG. 3

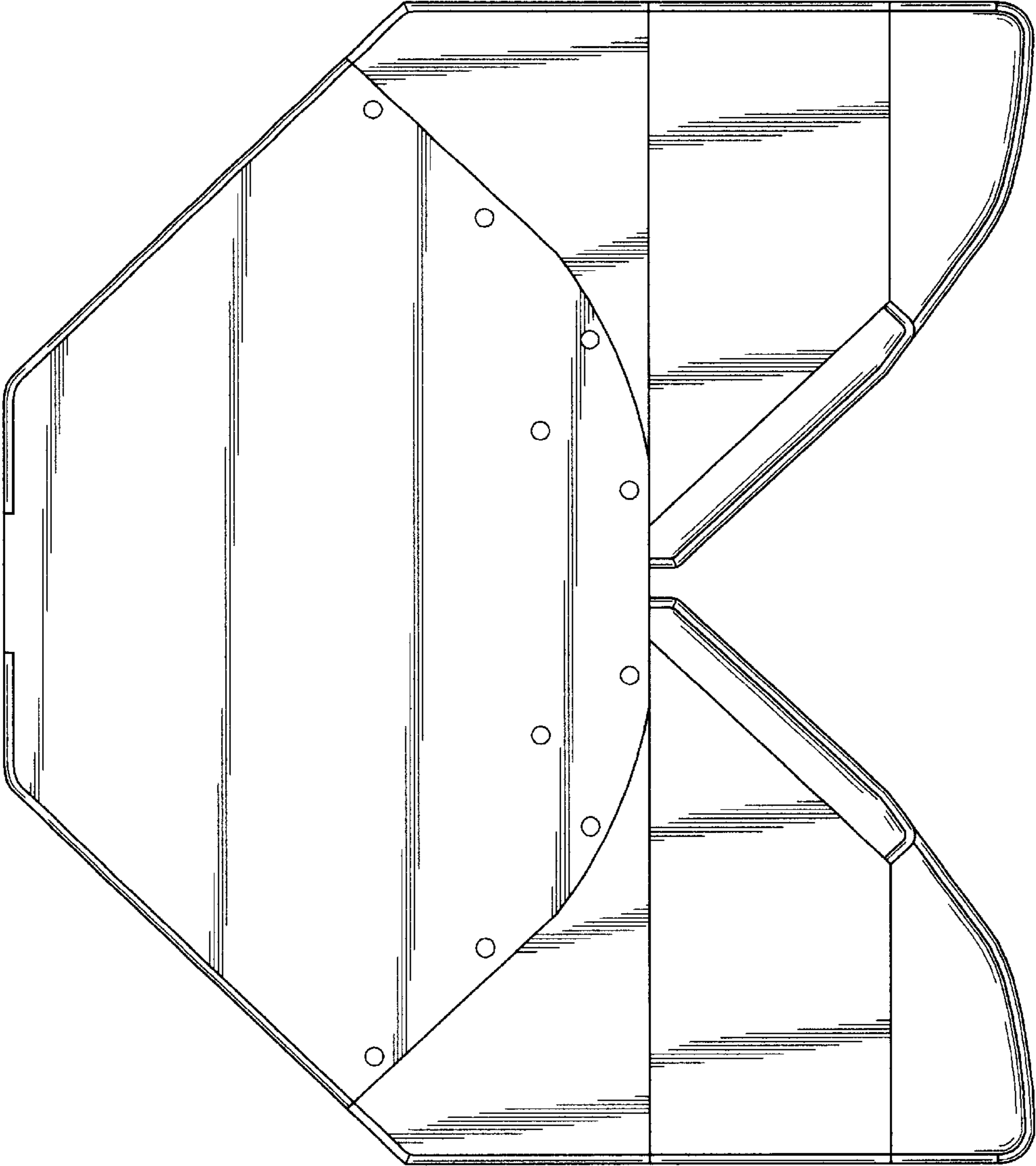
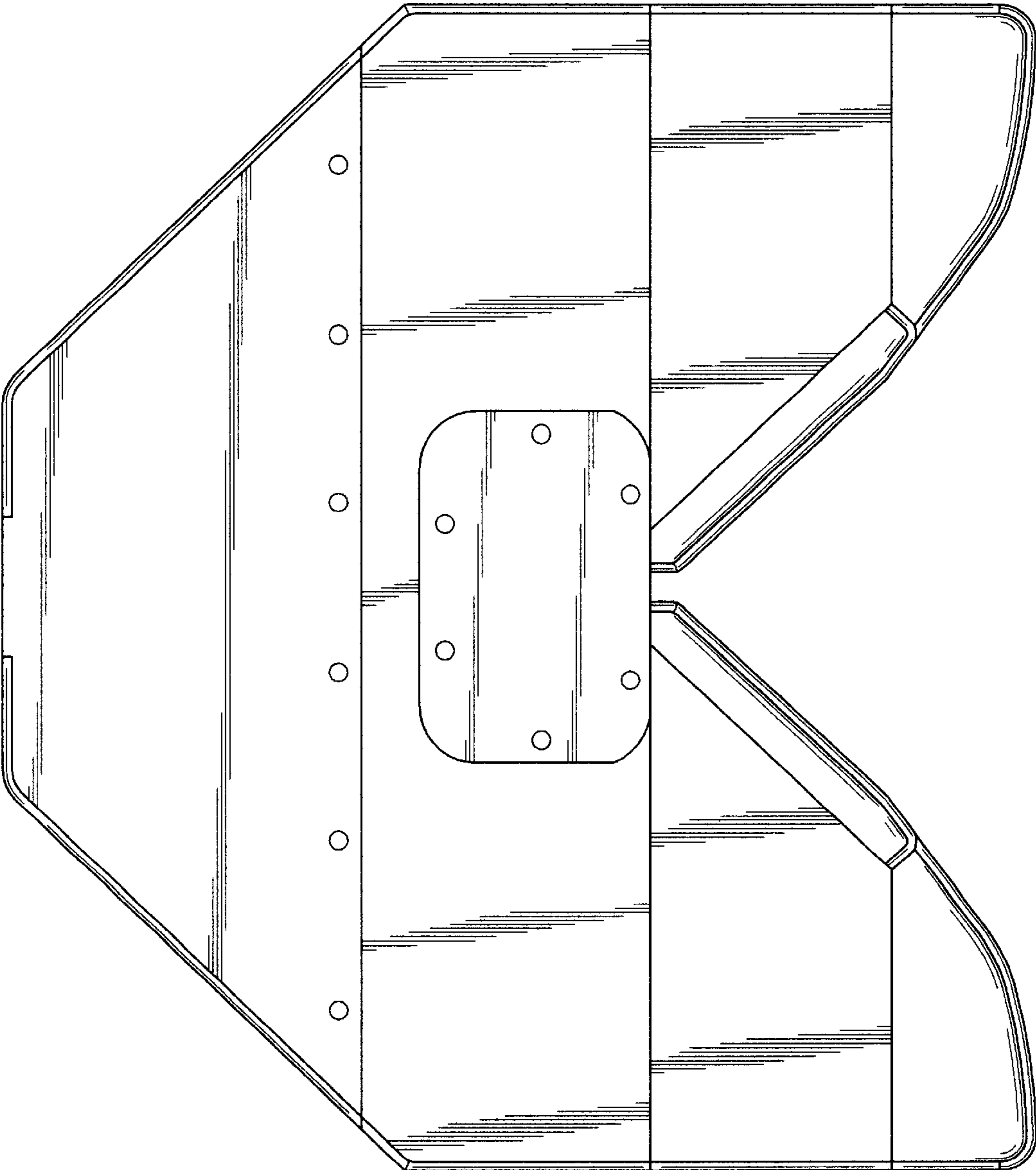


FIG. 4



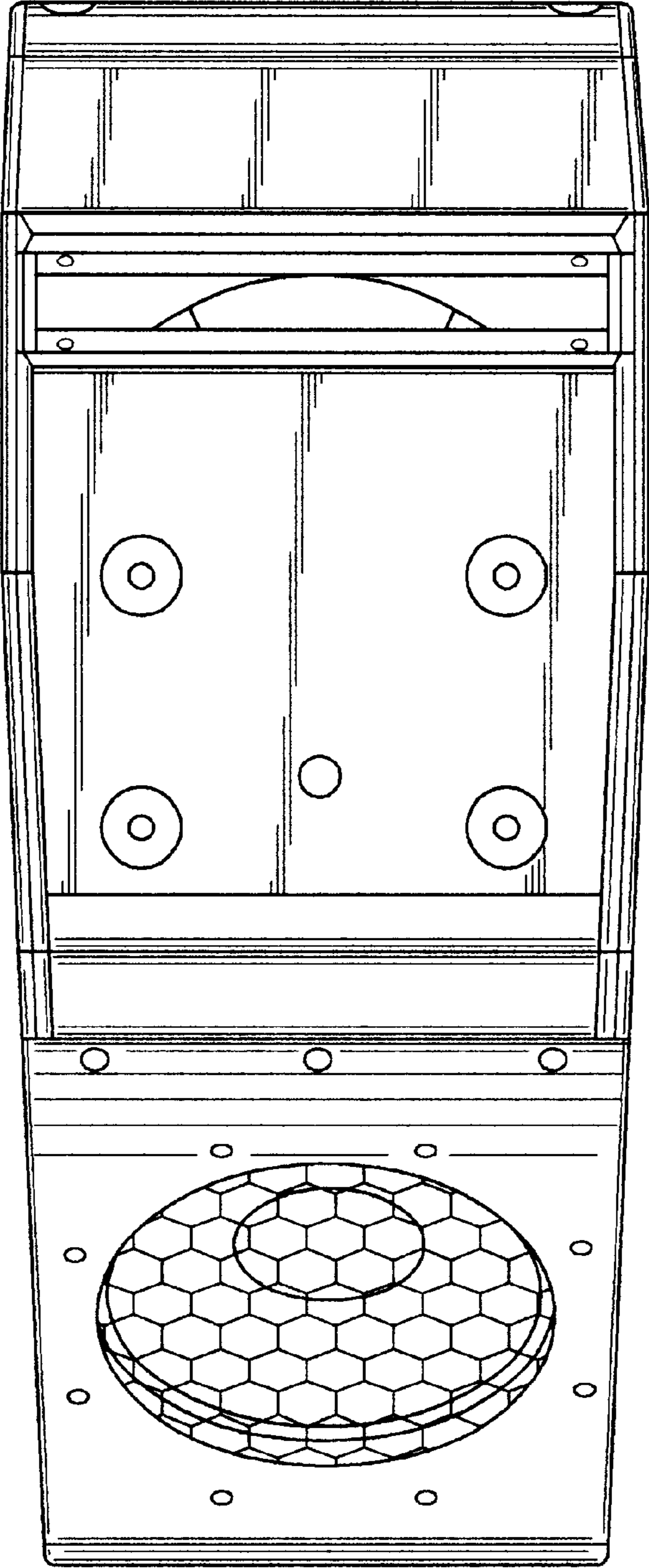


FIG. 5

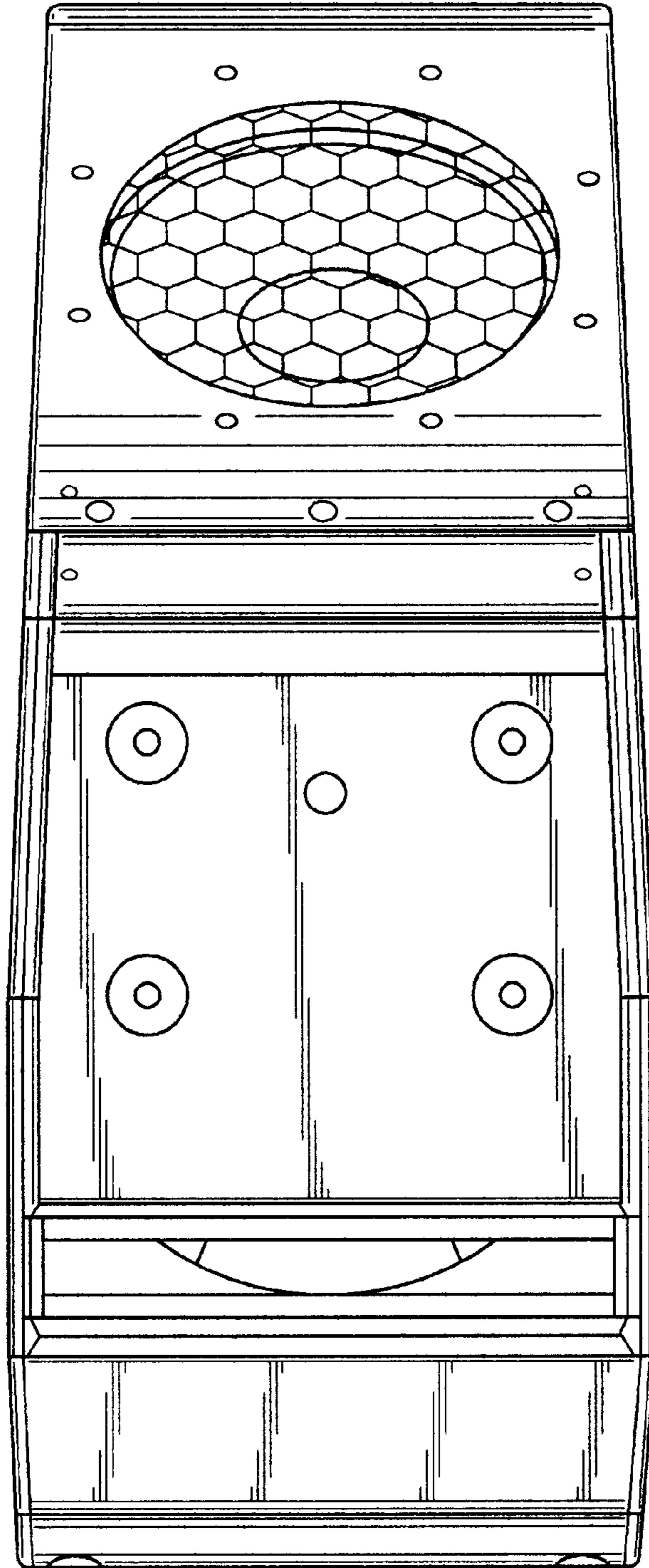


FIG. 6

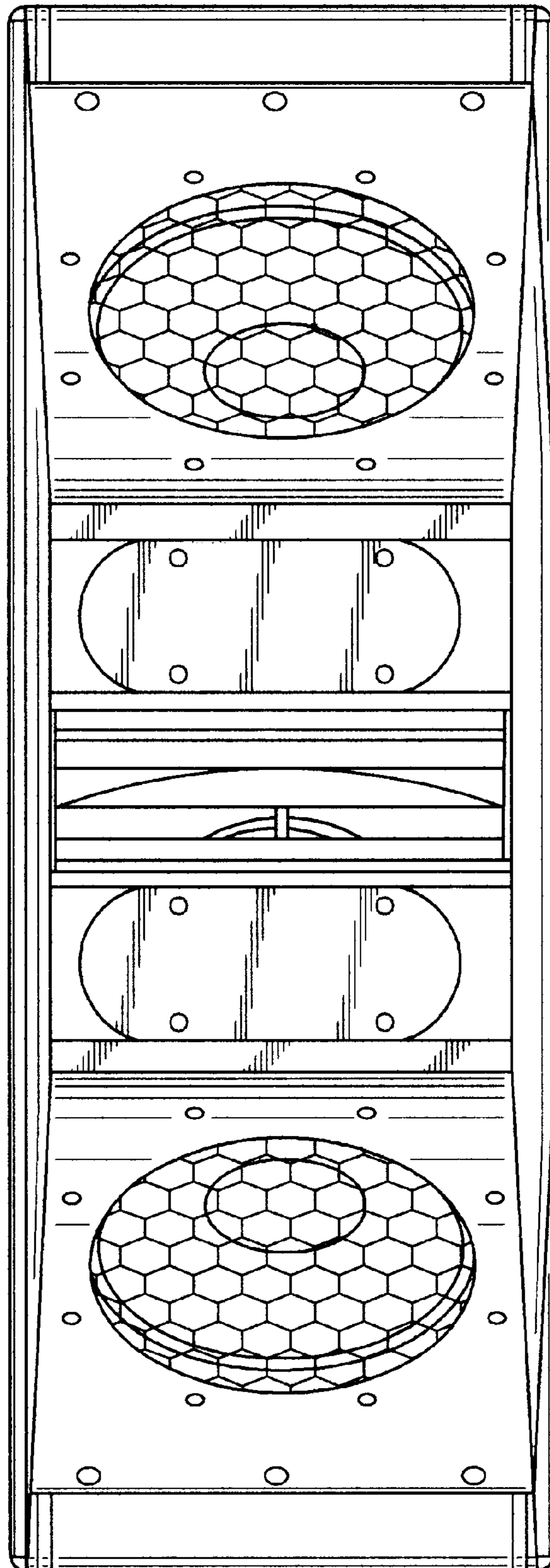


FIG. 7