



US00D500019S

(12) **United States Design Patent**
Solland

(10) **Patent No.:** **US D500,019 S**

(45) **Date of Patent:** **** Dec. 21, 2004**

(54) **ELECTRONIC DEVICE**

(75) **Inventor:** **Kurt Solland**, Westlake Village, CA
(US)

(73) **Assignee:** **Harman International Industries,**
Incorporated, Northridge, CA (US)

(**) **Term:** **14 Years**

(21) **Appl. No.:** **29/187,167**

(22) **Filed:** **Jul. 29, 2003**

(51) **LOC (7) Cl.** **14-01**

(52) **U.S. Cl.** **D14/156**

(58) **Field of Search** D14/135-136,
D14/156-157, 160-165, 167-168, 192-198,
207, 217, 189; 455/347-351, 344; 369/75.1,
75.2, 77.1, 77.2; D21/324, 329; 463/1,
29-35, 46-47

(56) **References Cited**

U.S. PATENT DOCUMENTS

D244,550 S 5/1977 Zuroski

D349,496 S * 8/1994 Sato D14/156

D349,497 S * 8/1994 Kawamoto D14/156

D357,014 S * 4/1995 Uehara D14/156

5,444,194 A * 8/1995 Reinke 181/150

D435,840 S * 1/2001 Ishibashi et al. D14/168

D438,526 S * 3/2001 Katayama D14/156

* cited by examiner

Primary Examiner—Nanda Bondade

(74) *Attorney, Agent, or Firm*—Plumsea Law Group, LLC

(57) **CLAIM**

The ornamental design for an electronic device, as shown and described.

DESCRIPTION

FIG. 1 is a perspective view of an electronic device showing my new design;

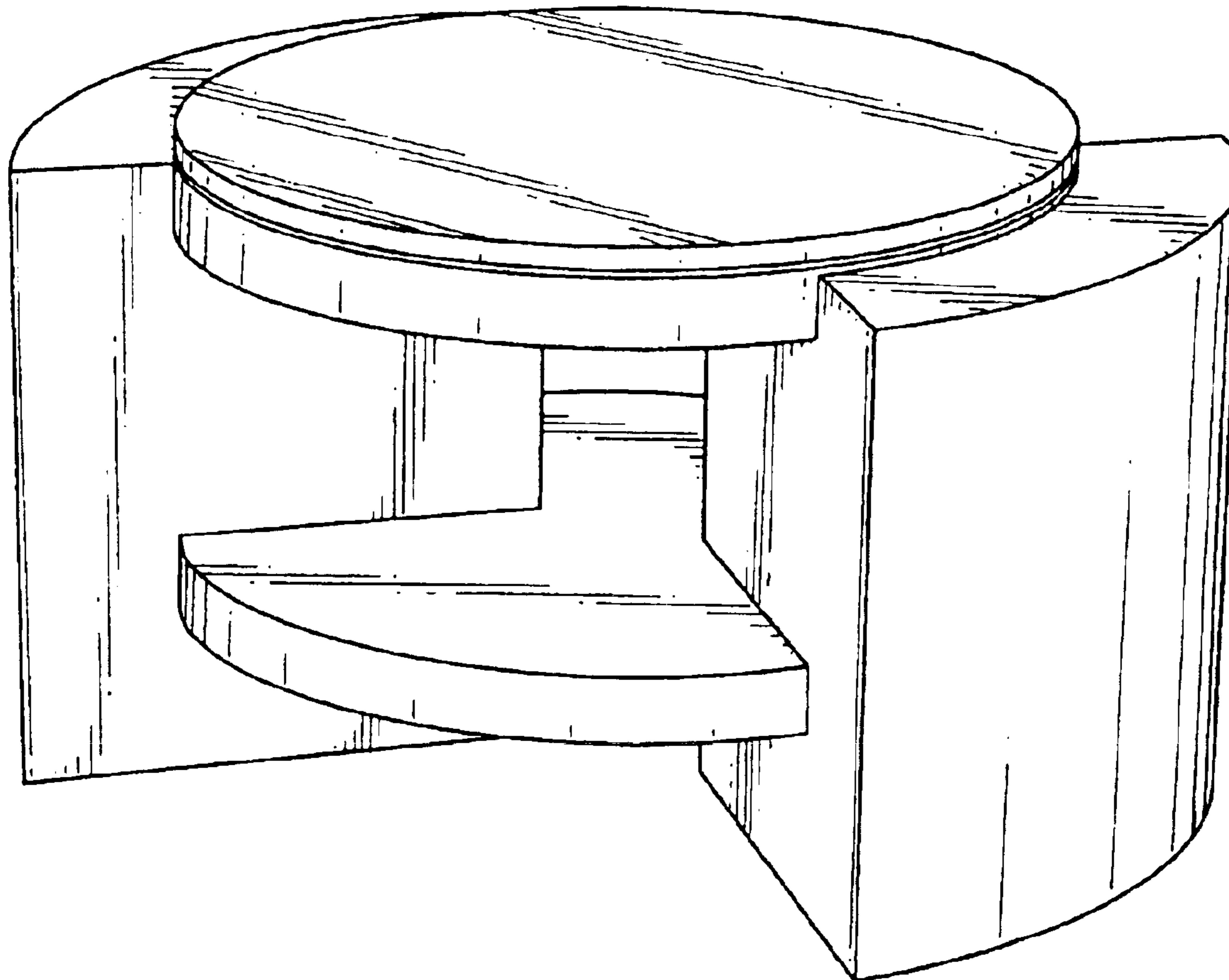
FIG. 2 is a front elevational view thereof;

FIG. 3 is a side elevational view of one side, the opposite side elevational view being a mirror image thereof;

FIG. 4 is a top plan view thereof; and,

FIG. 5 is a bottom plan view thereof.

1 Claim, 5 Drawing Sheets



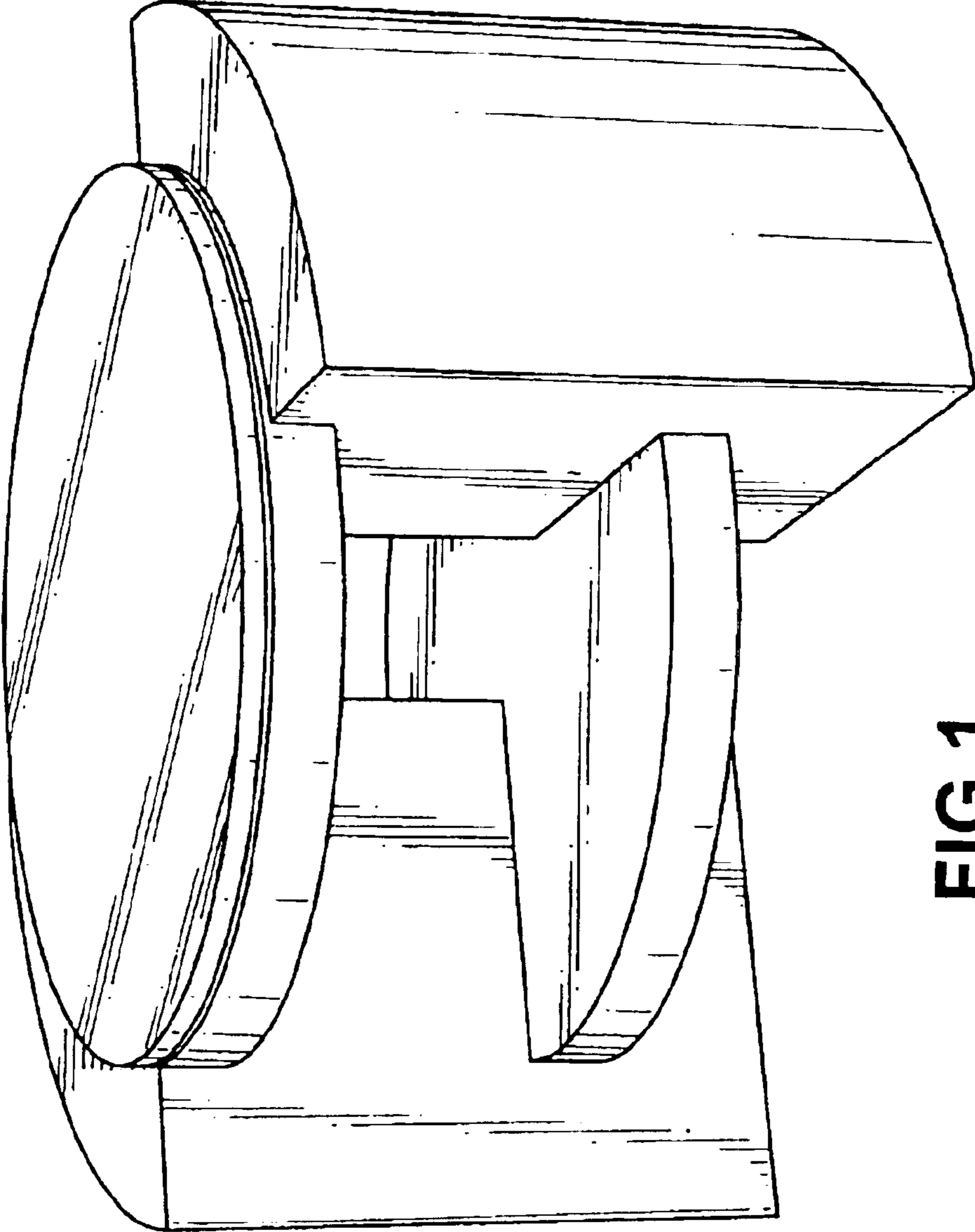


FIG.1

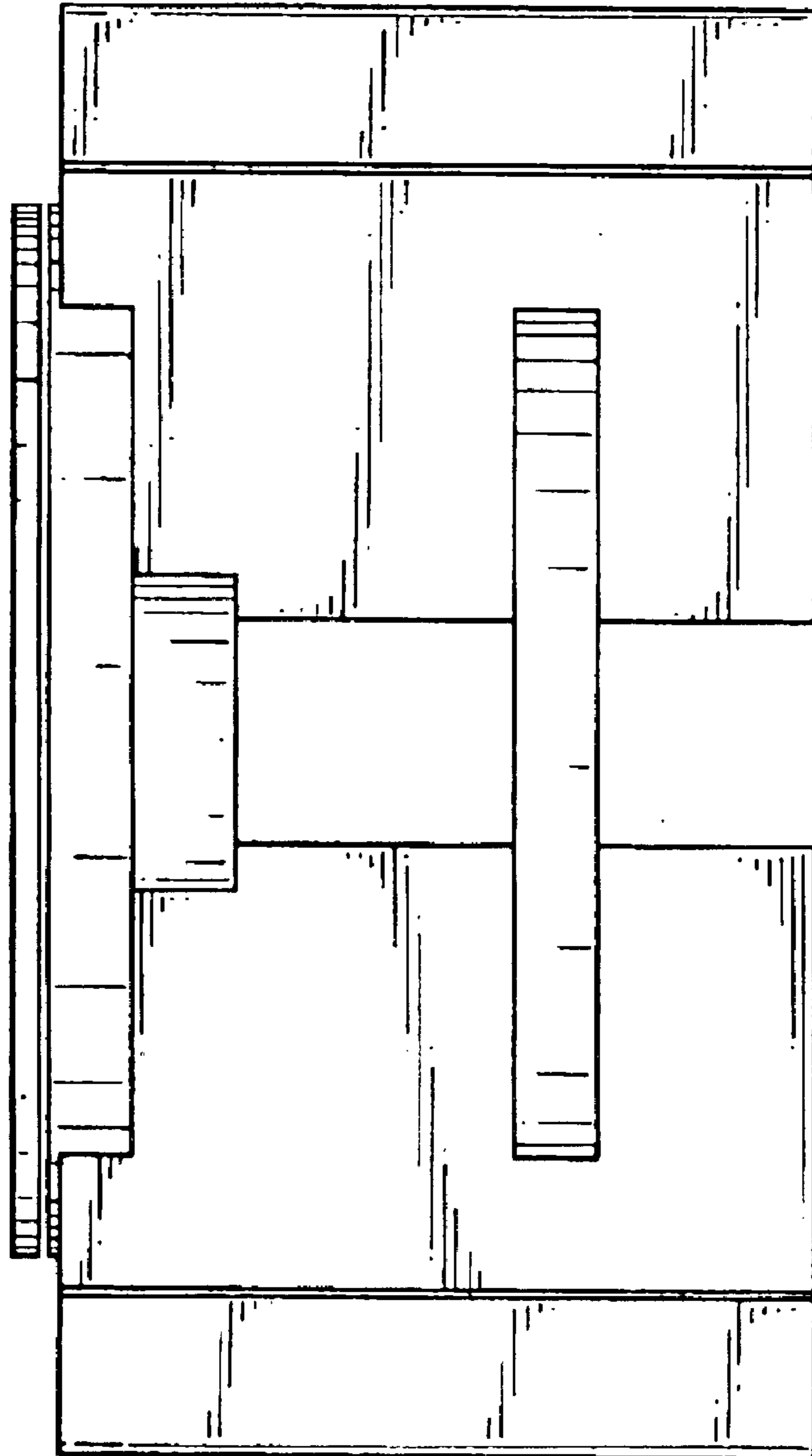


FIG.2

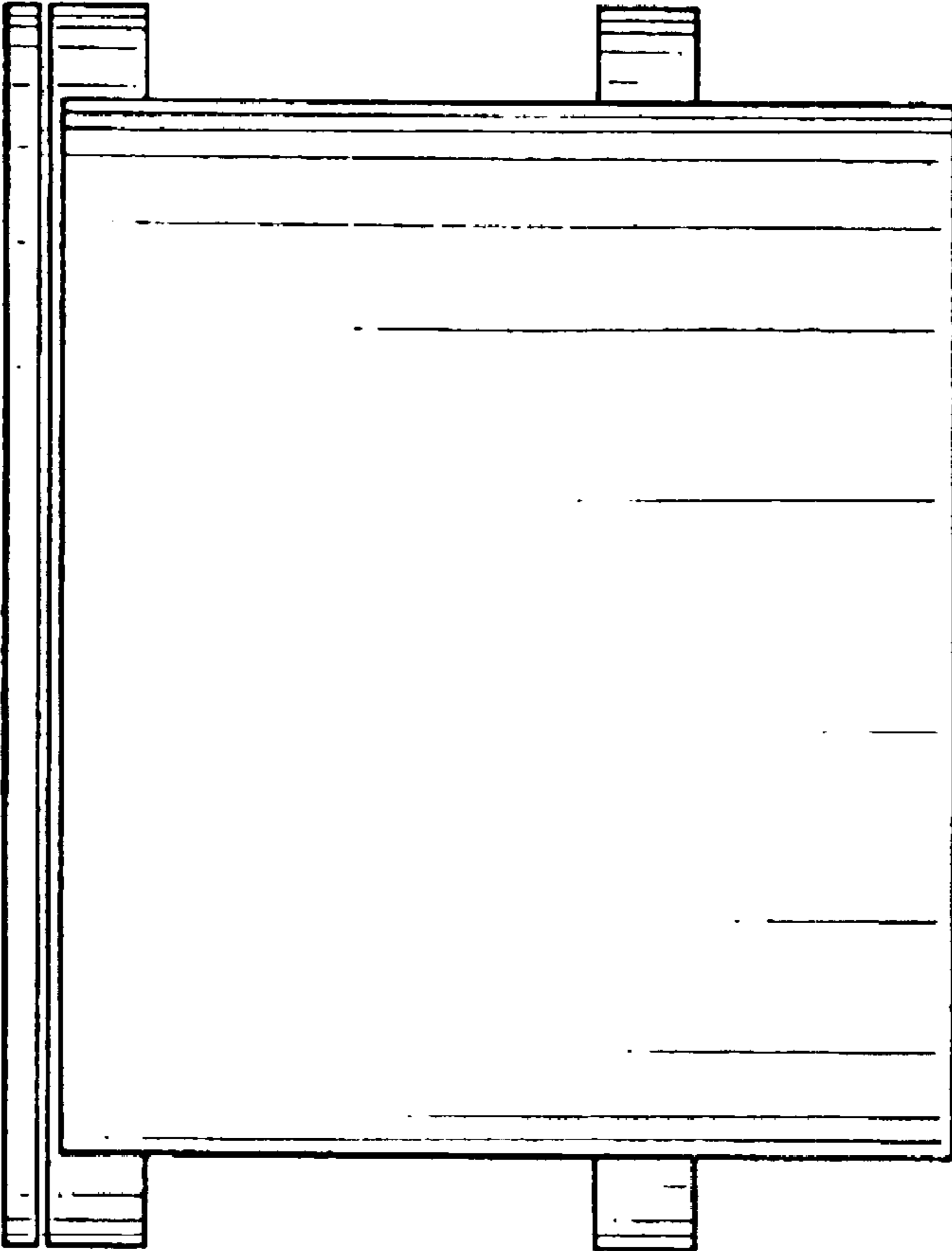


FIG. 3

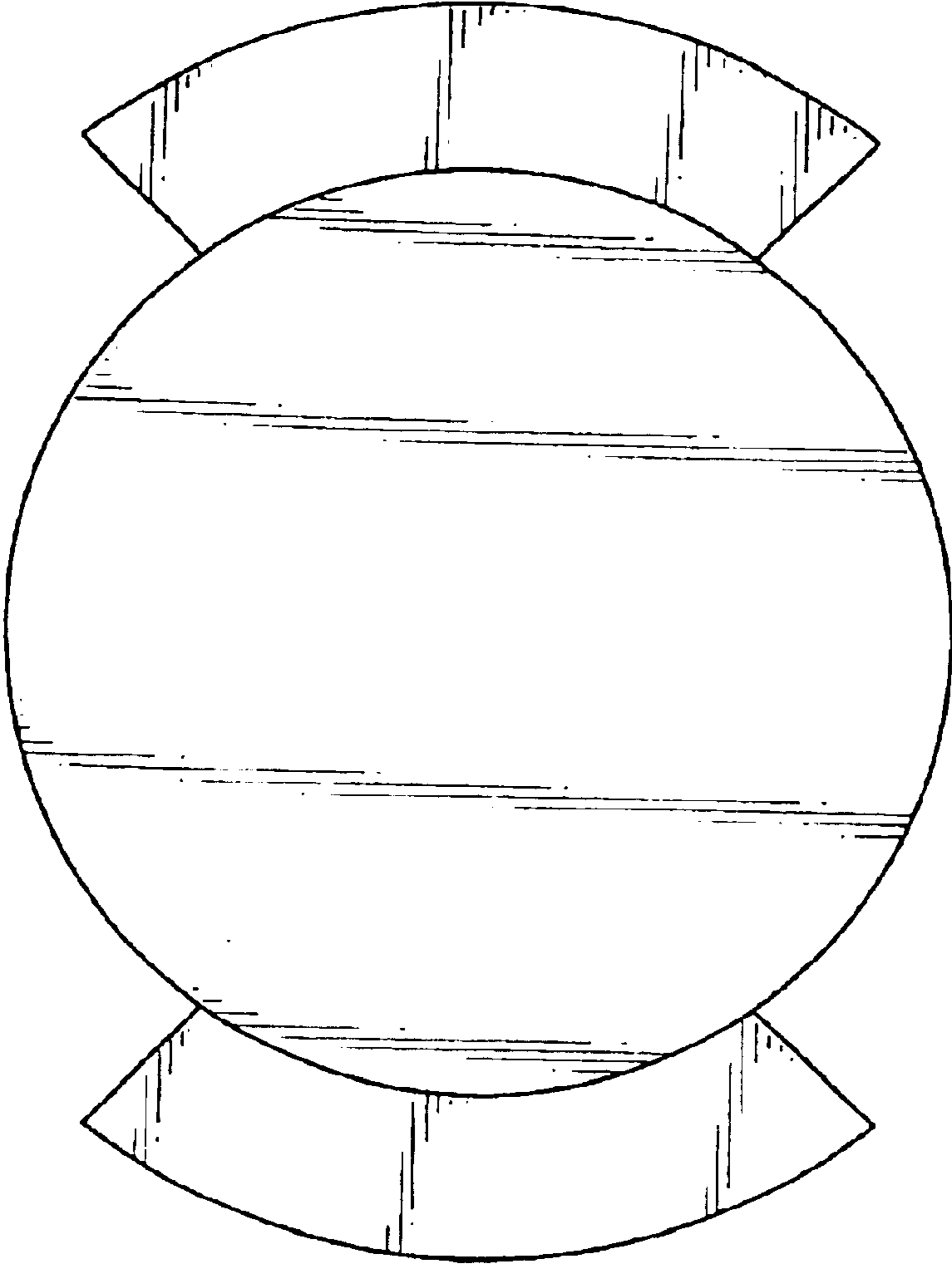


FIG.4

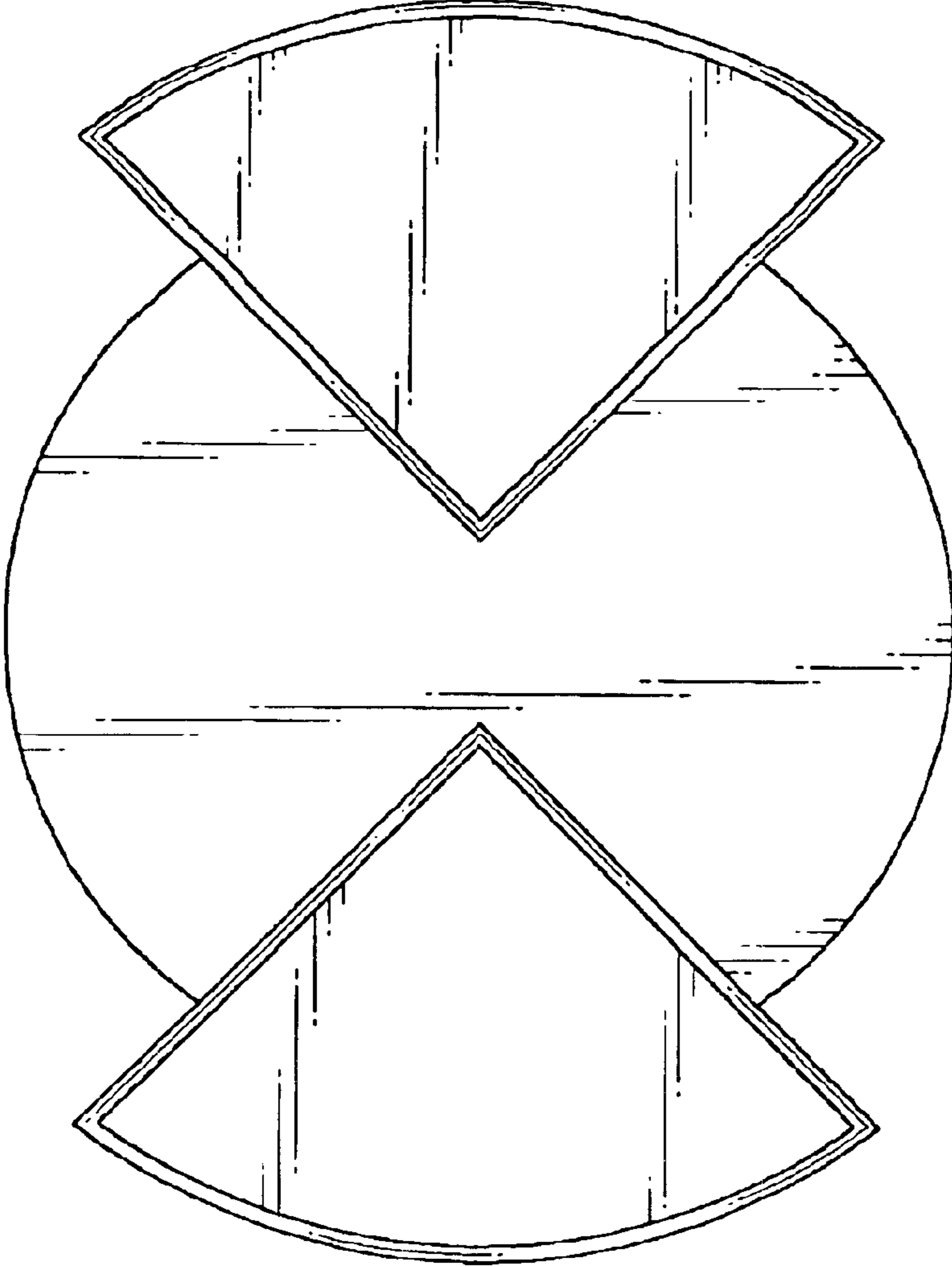


FIG. 5