



US00D500018S

(12) **United States Design Patent** (10) **Patent No.:** **US D500,018 S**
Tejima (45) **Date of Patent:** **** Dec. 21, 2004**

(54) **DISC PLAYER**

(75) Inventor: **Keisuke Tejima**, Tokyo (JP)

(73) Assignee: **Sony Corporation**, Tokyo (JP)

(**) Term: **14 Years**

(21) Appl. No.: **29/186,970**

(22) Filed: **Jul. 25, 2003**

(51) **LOC (7) Cl.** **14-01**

(52) **U.S. Cl.** **D14/156**

(58) **Field of Search** D14/135-136,
D14/156-157, 160-165, 167-168, 188,
193-198; 369/75.1, 75.2, 77.1, 77.2; 455/344,
347-351

(56) **References Cited**

U.S. PATENT DOCUMENTS

D280,503 S	*	9/1985	Onozaki et al.	D14/156
D322,068 S	*	12/1991	Yamakawa	D14/168
D417,451 S		12/1999	Tejima		
D445,773 S	*	7/2001	Fenner	D14/156

OTHER PUBLICATIONS

Web page "Sanyo DXD-N100(S)" www.yodobashi.com, 1 sheet, Yodobashi Camera.

Web page "Sharp SD-CX10-A" www.yodobashi.com, 1 sheet, Yodobashi Camera.

* cited by examiner

Primary Examiner—Nanda Bondade

(74) *Attorney, Agent, or Firm*—Rader, Fishman & Grauer PLLC

(57) **CLAIM**

The ornamental design for a disc player, as shown and described.

DESCRIPTION

FIG. 1 is a perspective view of a disc player showing my new design;

FIG. 2 is a front elevational view thereof;

FIG. 3 is a left side elevational view thereof;

FIG. 4 is a top plan view thereof; and,

FIG. 5 is a bottom plan view thereof.

Portions in broken lines in FIGS. 1-5 are for illustrative purposes only and form no part of claimed design.

1 Claim, 4 Drawing Sheets

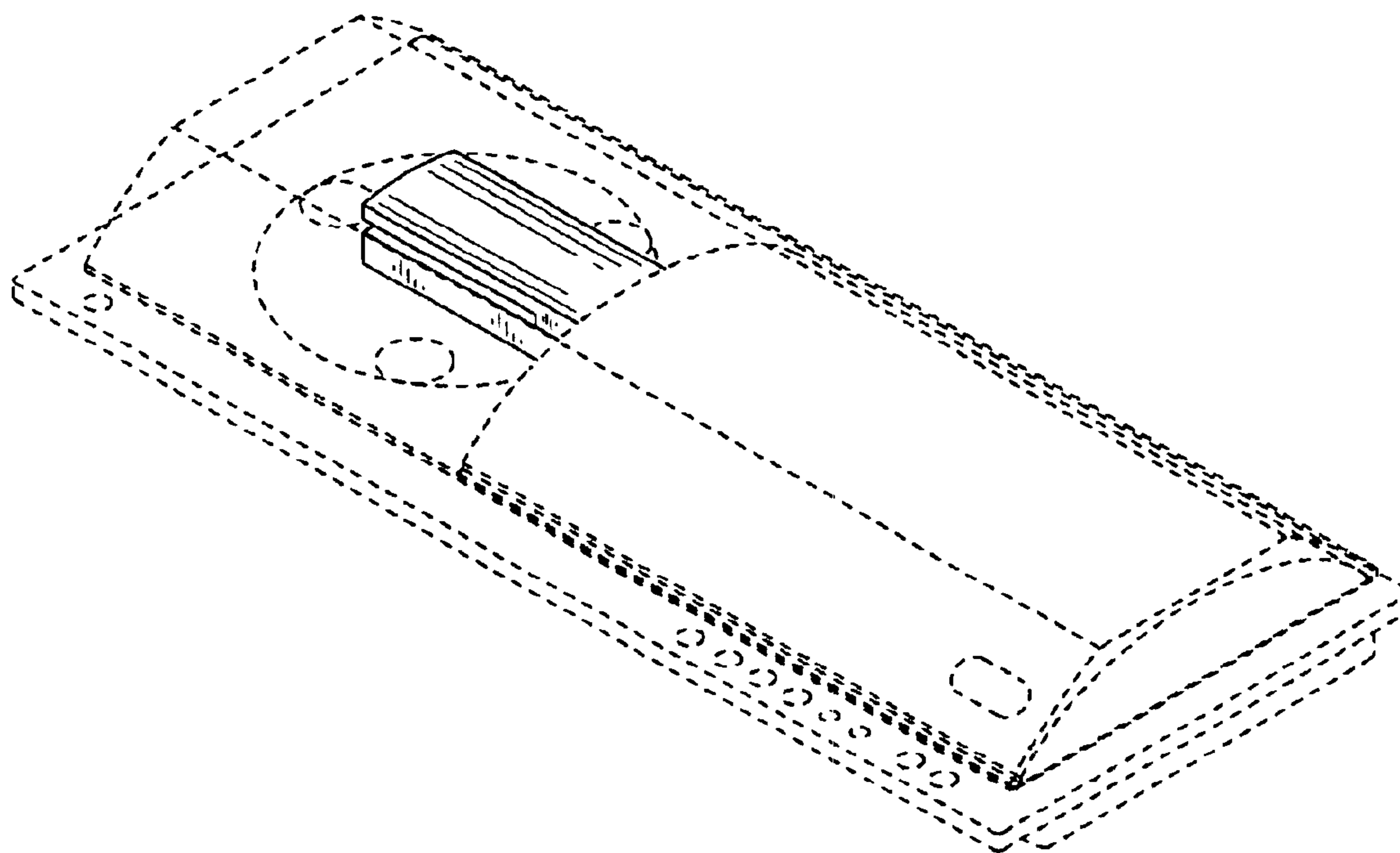


Fig. 1

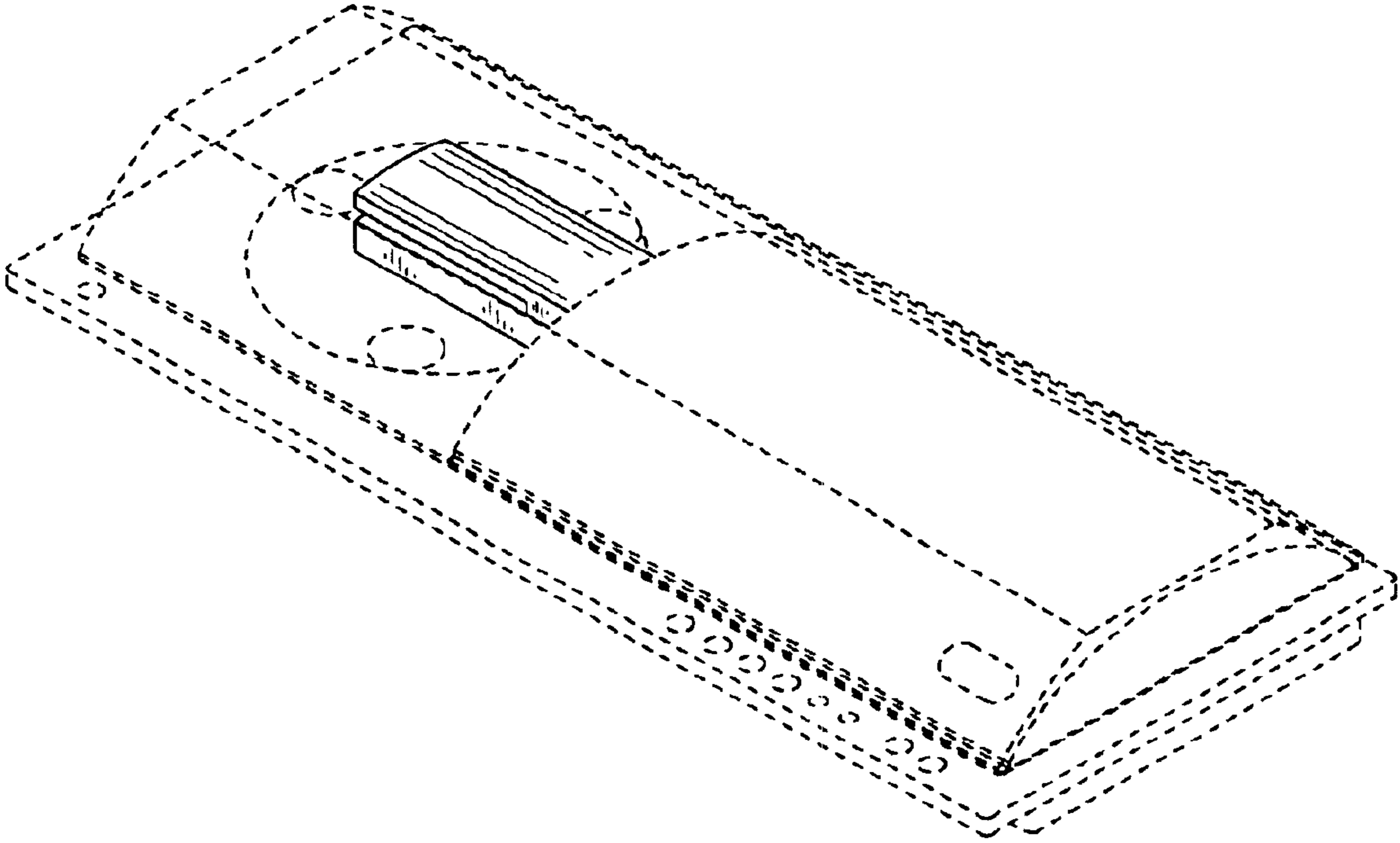


Fig.2

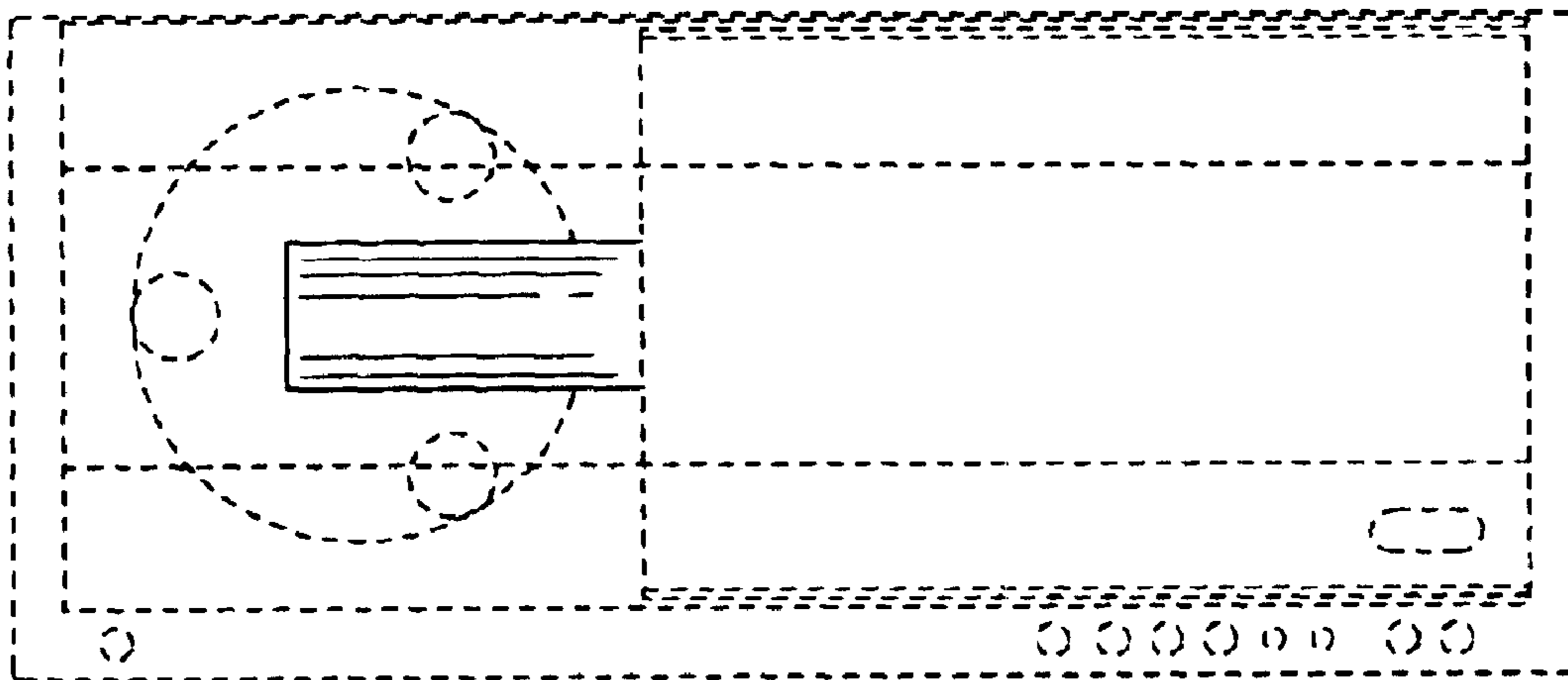


Fig. 3

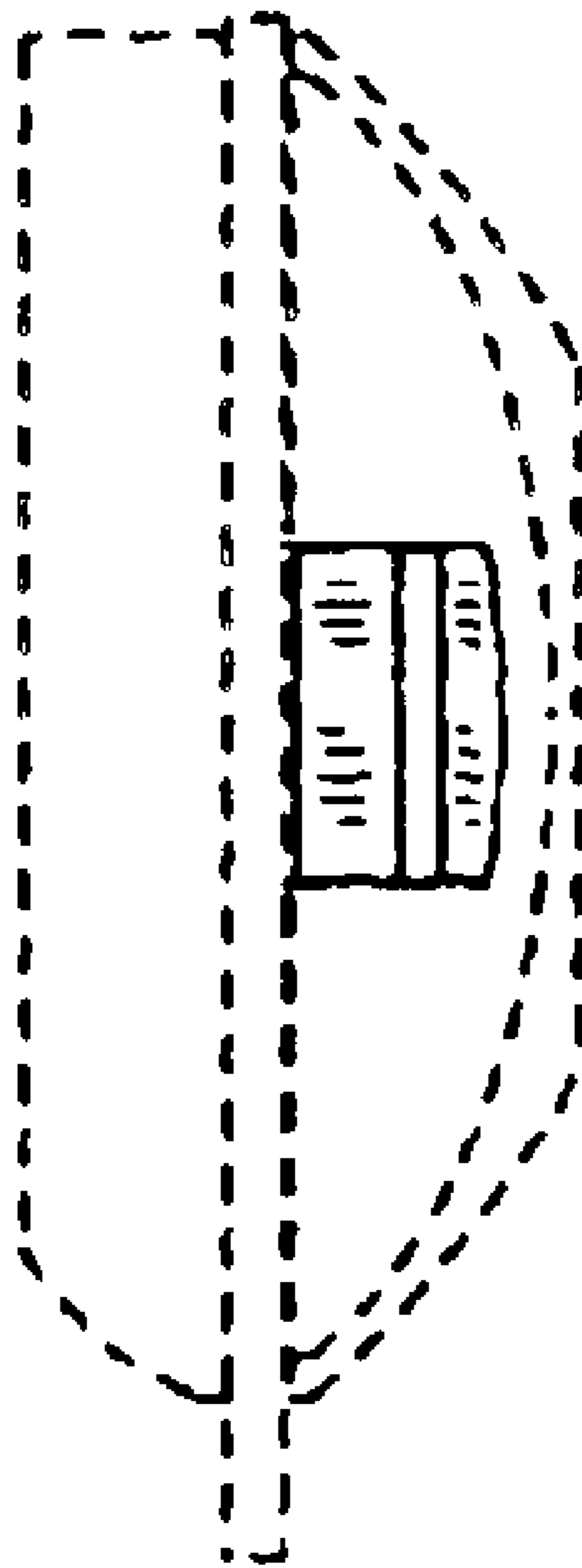


Fig.4

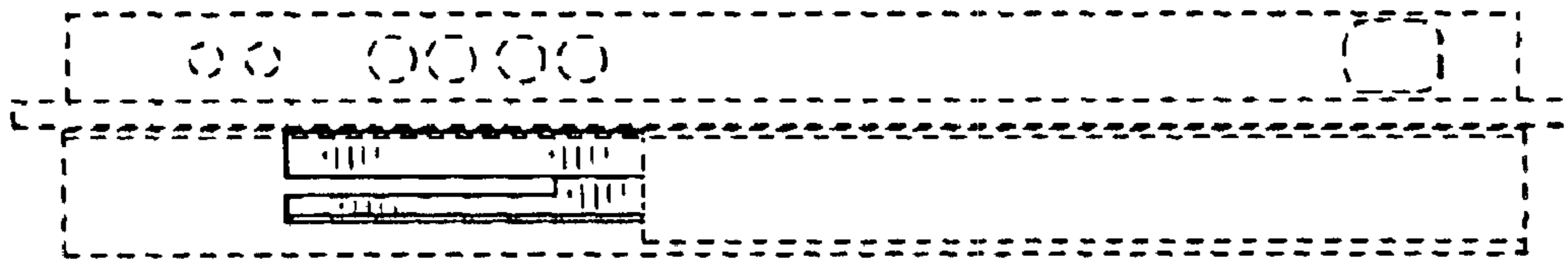


Fig.5

