

US00D500017S

(12) **United States Design Patent**
Zeitman

(10) **Patent No.:** **US D500,017 S**

(45) **Date of Patent:** **** Dec. 21, 2004**

(54) **TELEPHONE**

(75) **Inventor:** **Josh Zeitman**, Brooklyn, NY (US)

(73) **Assignee:** **Lennox Electronics Corp.**, Brooklyn, NY (US)

(**) **Term:** **14 Years**

(21) **Appl. No.:** **29/197,464**

(22) **Filed:** **Jan. 16, 2004**

(51) **LOC (7) Cl.** **14-03**

(52) **U.S. Cl.** **D14/151**

(58) **Field of Search** D14/130, 148,
D14/147, 149-151, 143, 329, 330, 140-142,
144, 240, 241, 243, 170, 171, 159; 379/440,
454, 446, 419, 420.01-420.04, 428.01-428.04,
434-436; 320/110, 113-115; 455/550.1-90.3;
D21/517; D13/107, 108

(56) **References Cited**

U.S. PATENT DOCUMENTS

D291,565 S	*	8/1987	Okuda	D14/151
D298,831 S	*	12/1988	Hughes et al.	D14/151
D299,717 S	*	2/1989	Fukutome	D14/151
D303,386 S	*	9/1989	Iino	D14/142
D306,730 S	*	3/1990	Sugano et al.	D14/151
D307,426 S	*	4/1990	Ohta et al.	D14/142
D316,857 S	*	5/1991	Park	D14/138
D342,252 S	*	12/1993	Akatsu et al.	D14/151
D345,557 S	*	3/1994	Akatsu et al.	D14/151

D389,144 S	*	1/1998	Hua	D14/151
D406,842 S	*	3/1999	Zeitman	D14/151
D412,330 S	*	7/1999	Shigemura	D14/151
D426,535 S	*	6/2000	Zeitman	D14/151
D433,399 S	*	11/2000	Seki et al.	D14/151
D437,840 S	*	2/2001	Korby et al.	D14/151
D442,158 S	*	5/2001	Isonaga	D14/151
D449,827 S	*	10/2001	Calle Aleman et al.	D14/151
D471,171 S	*	3/2003	Yamanouchi et al.	D14/151
D472,537 S	*	4/2003	Schramm et al.	D14/149
D472,540 S	*	4/2003	Katou	D14/151
D481,701 S	*	11/2003	Kamezawa et al.	D14/151
D490,795 S	*	6/2004	Watanabe et al.	D14/151

* cited by examiner

Primary Examiner—Jeffrey Asch

(74) *Attorney, Agent, or Firm*—Burns, Doane, Swecker & Mathis, L.L.P.

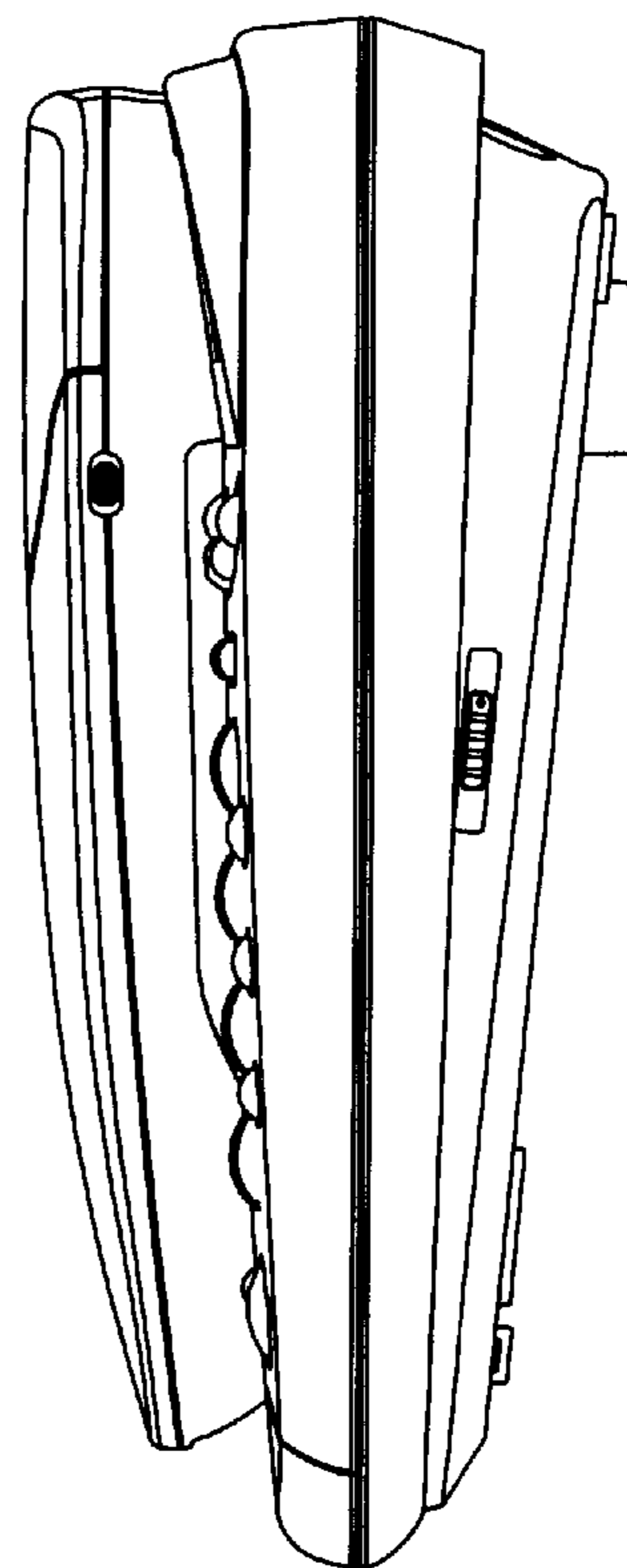
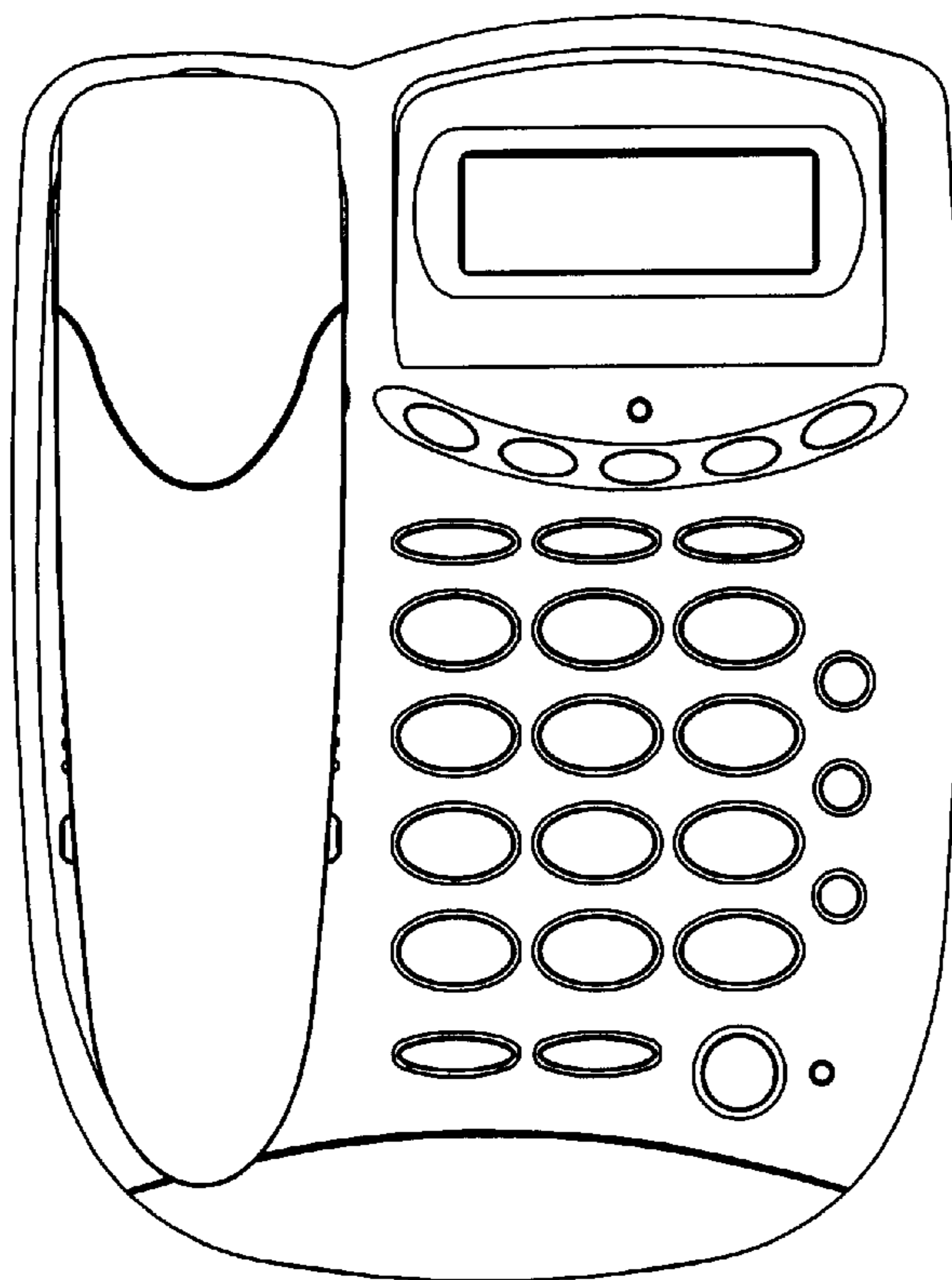
(57) **CLAIM**

The ornamental design for a “telephone”, as shown and described.

DESCRIPTION

FIG. 1 is a front view of a “telephone” showing my design; FIG. 2 is a rear view thereof; FIG. 3 is a right side view thereof; FIG. 4 is a left side view thereof; FIG. 5 is a top view thereof; and, FIG. 6 is a bottom view thereof.

1 Claim, 2 Drawing Sheets



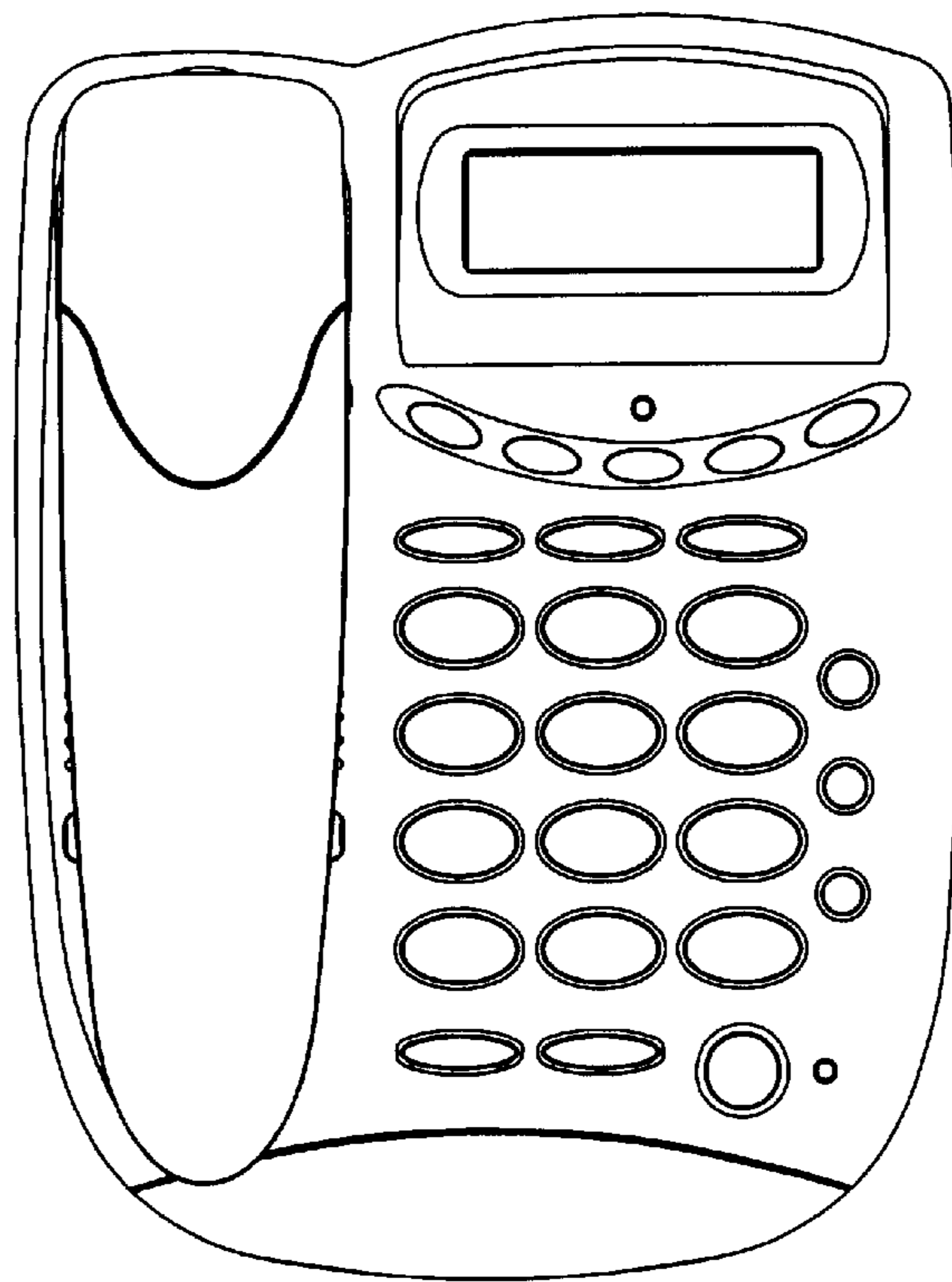


Fig. 1

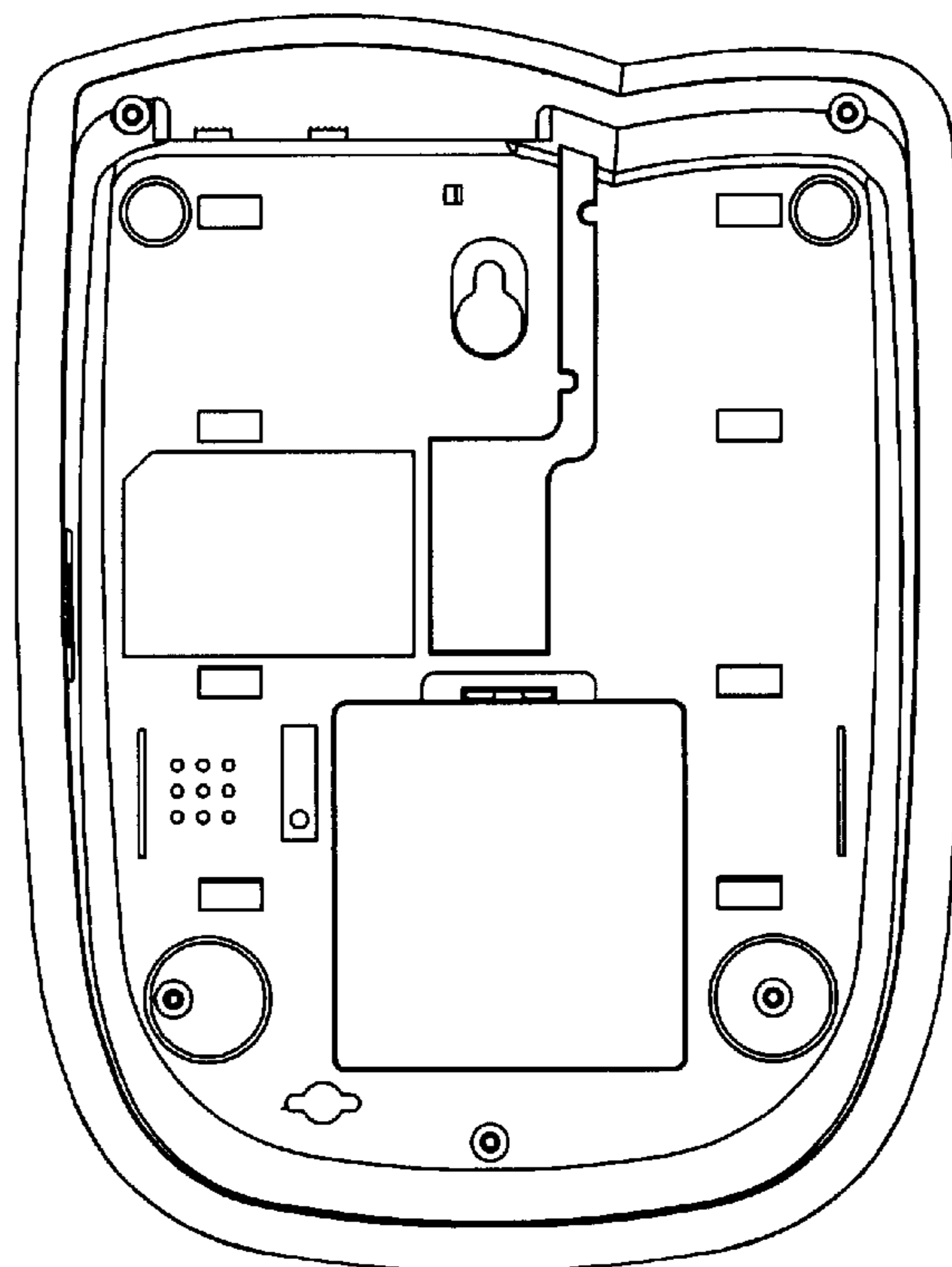


Fig. 2

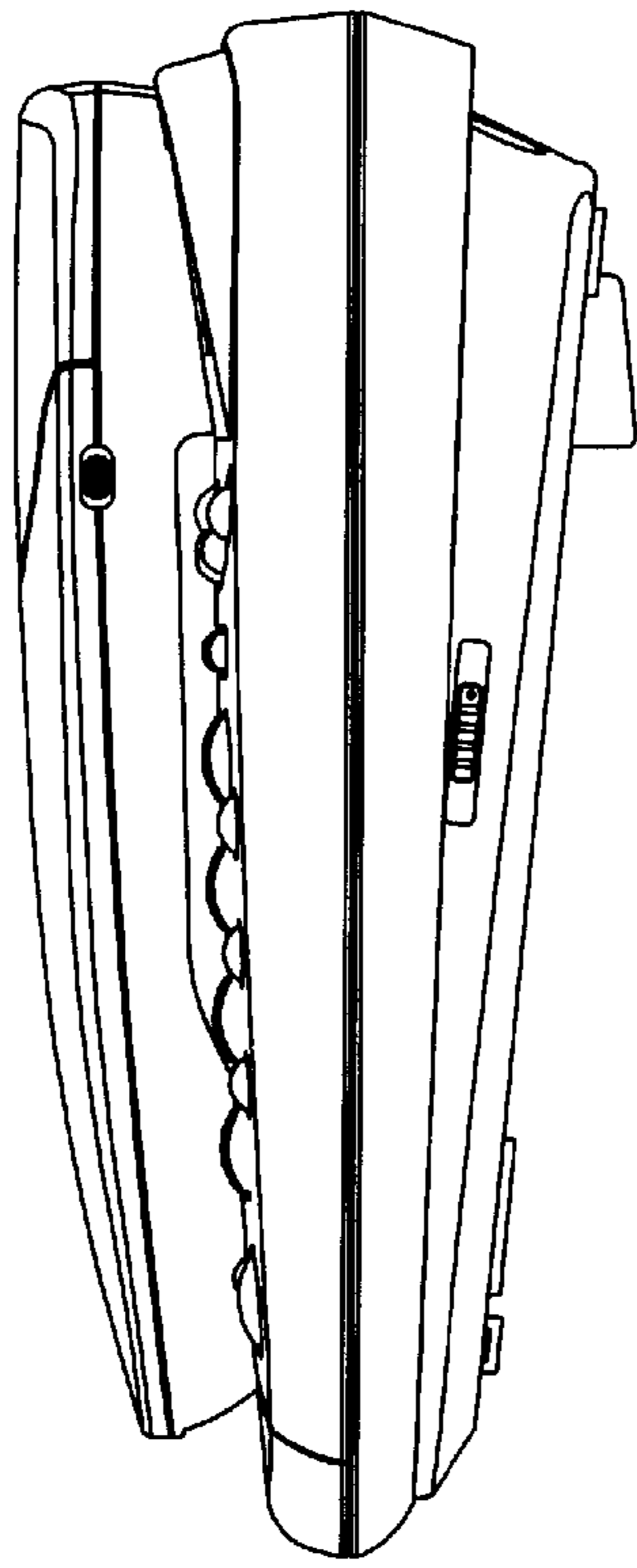


Fig. 3

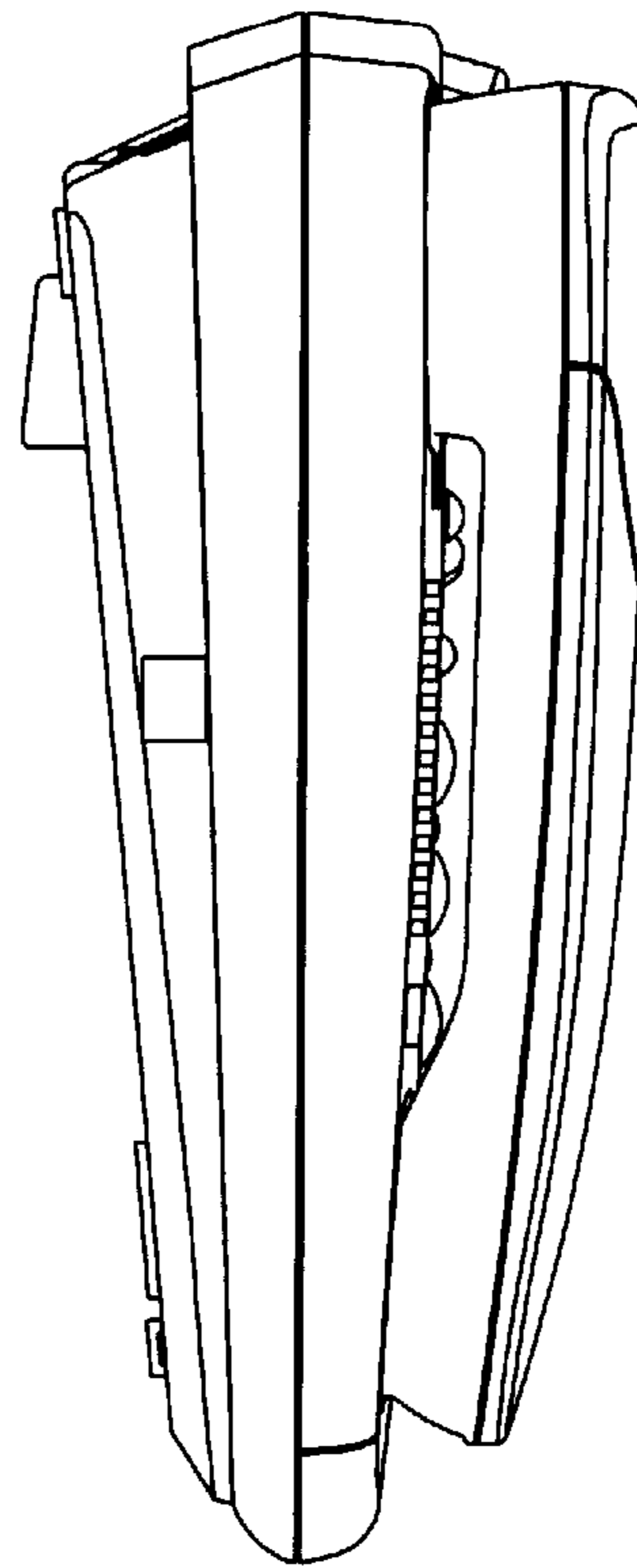


Fig. 4

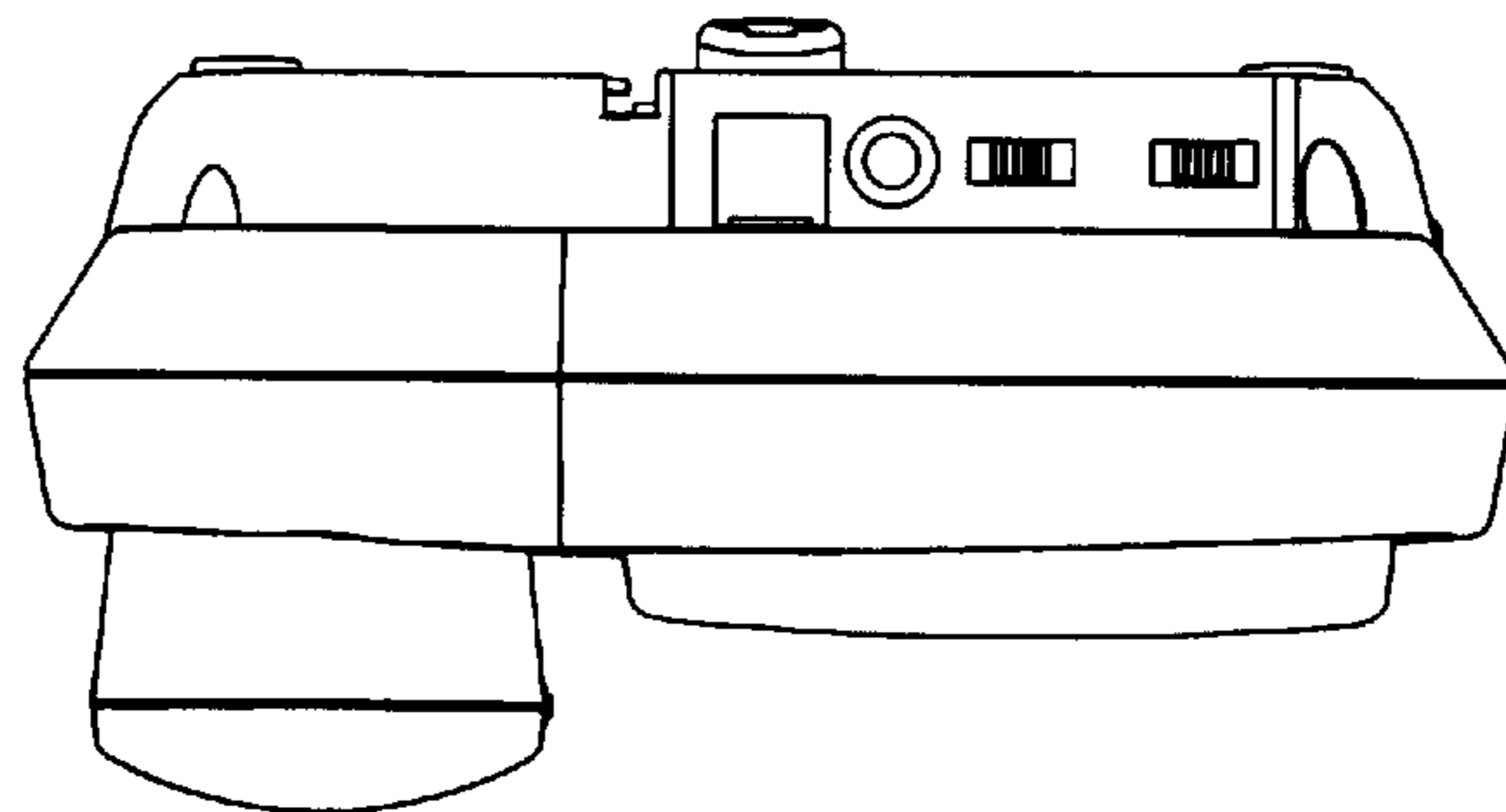


Fig. 5

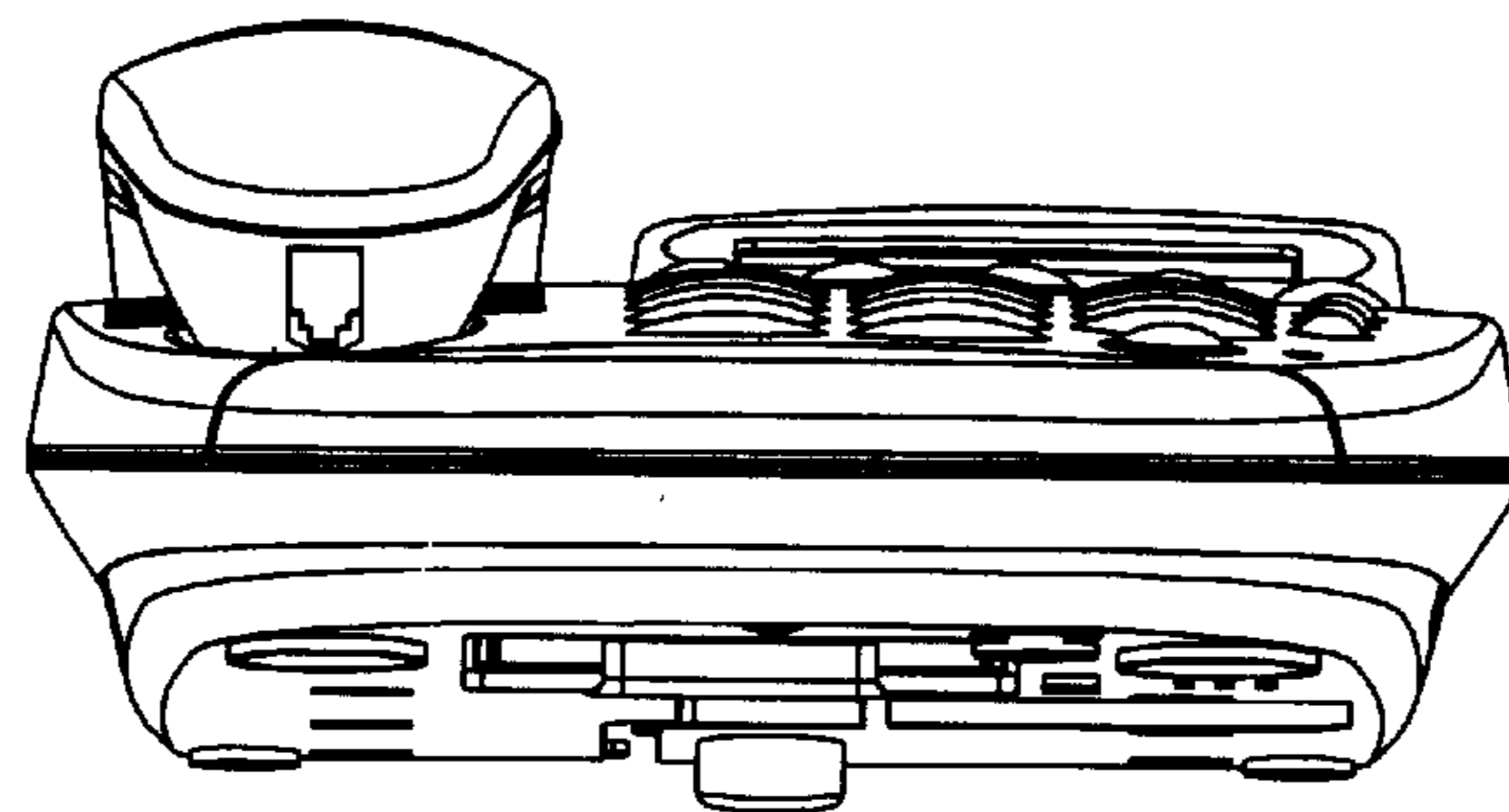


Fig. 6