



US00D500014S

(12) **United States Design Patent** (10) **Patent No.:** **US D500,014 S**
Lin (45) **Date of Patent:** **** Dec. 21, 2004**

(54) **MULTI-FUNCTIONAL CONNECTOR**

(75) Inventor: **San-Yiou Lin**, Taipei (TW)

(73) Assignee: **Advanced Connectek, Inc.**, Taipei (TW)

(**) Term: **14 Years**

(21) Appl. No.: **29/173,038**

(22) Filed: **Dec. 20, 2002**

(30) **Foreign Application Priority Data**

Jul. 25, 2002 (TW) 91303932

(51) **LOC (7) Cl.** **13-03**

(52) **U.S. Cl.** **D13/147**

(58) **Field of Search** D13/133, 146,
D13/147; 439/607-610, 680, 681, 378

(56) **References Cited**

U.S. PATENT DOCUMENTS

4,934,950 A * 6/1990 Green et al. 439/681

5,885,088 A * 3/1999 Brennan et al. 439/680

D416,538 S * 11/1999 Lok D13/147

D434,728 S * 12/2000 Huang D13/147

6,203,353 B1 * 3/2001 Huang et al. 439/352

* cited by examiner

Primary Examiner—Stella Reid

Assistant Examiner—Selina Sikder

(74) *Attorney, Agent, or Firm*—Johnson, Lin & Associates;
Chauncey B. Johnson, Esq.

(57) **CLAIM**

The ornamental design for a multi-functional connector, as shown and described.

DESCRIPTION

FIG. 1 is a perspective view of a multi-functional connector showing our new design. The broken lines in FIG. 1 are included for the purpose of illustrating portions of the multi-functional connector that forms no part of the claimed design;

FIG. 2 is a front view of the multi-functional connector shown in FIG. 1. The broken lines in FIG. 2 are included for the purpose of illustrating portions of the multi-functional connector that forms no part of the claimed design;

FIG. 3 is a rear view of the multi-functional connector shown in FIG. 1. The broken lines in FIG. 3 are included for the purpose of illustrating portions of the multi-functional connector that forms no part of the claimed design;

FIG. 4 is a left side view of the multi-functional connector shown in FIG. 1;

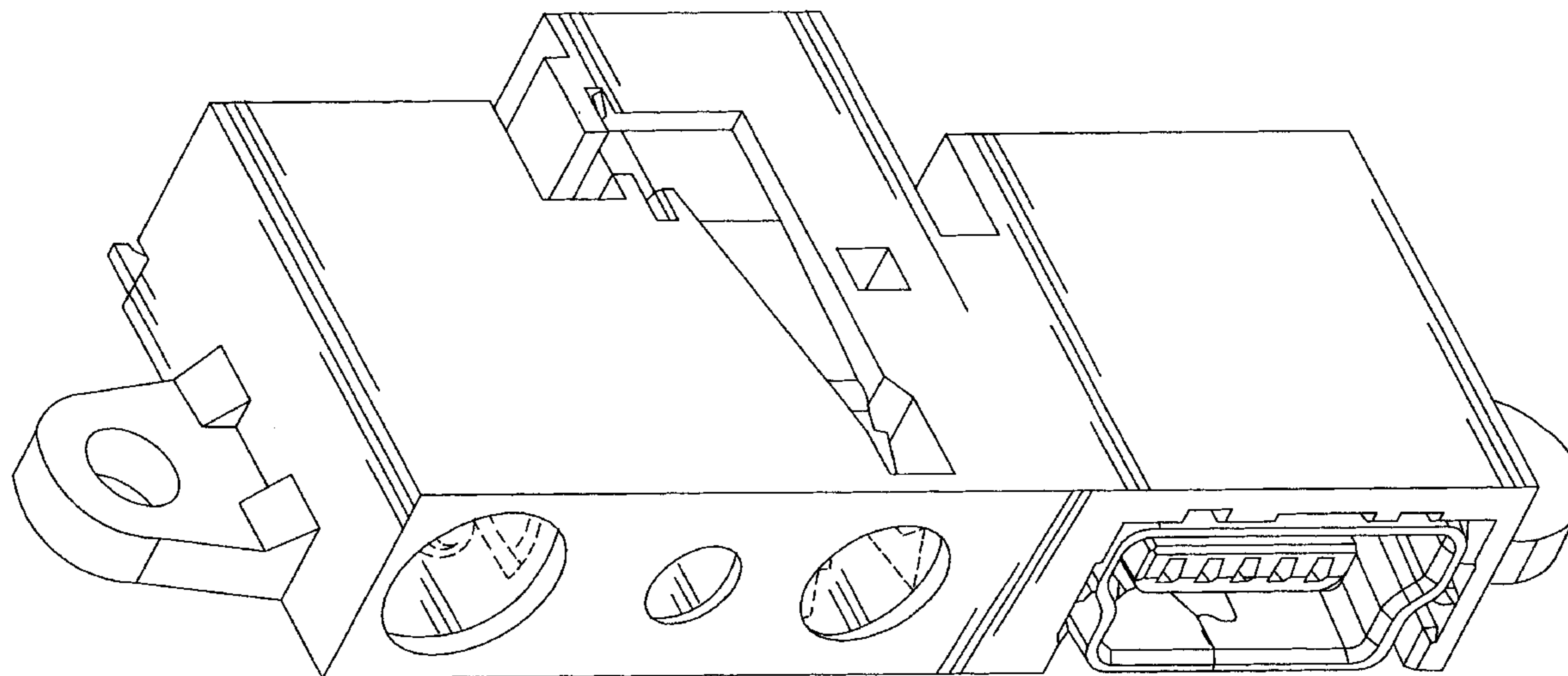
FIG. 5 is a right side view of the multi-functional connector shown in FIG. 1;

FIG. 6 is a top view of multi-functional connector shown in FIG. 1;

FIG. 7 is a bottom view of the multi-functional connector shown in FIG. 1; and,

FIG. 8 is another perspective view of the multi-functional connector showing our new design. The broken lines in FIG. 8 are included for the purpose of illustrating portions of the multi-functional connector that forms no part of the claimed design.

1 Claim, 7 Drawing Sheets



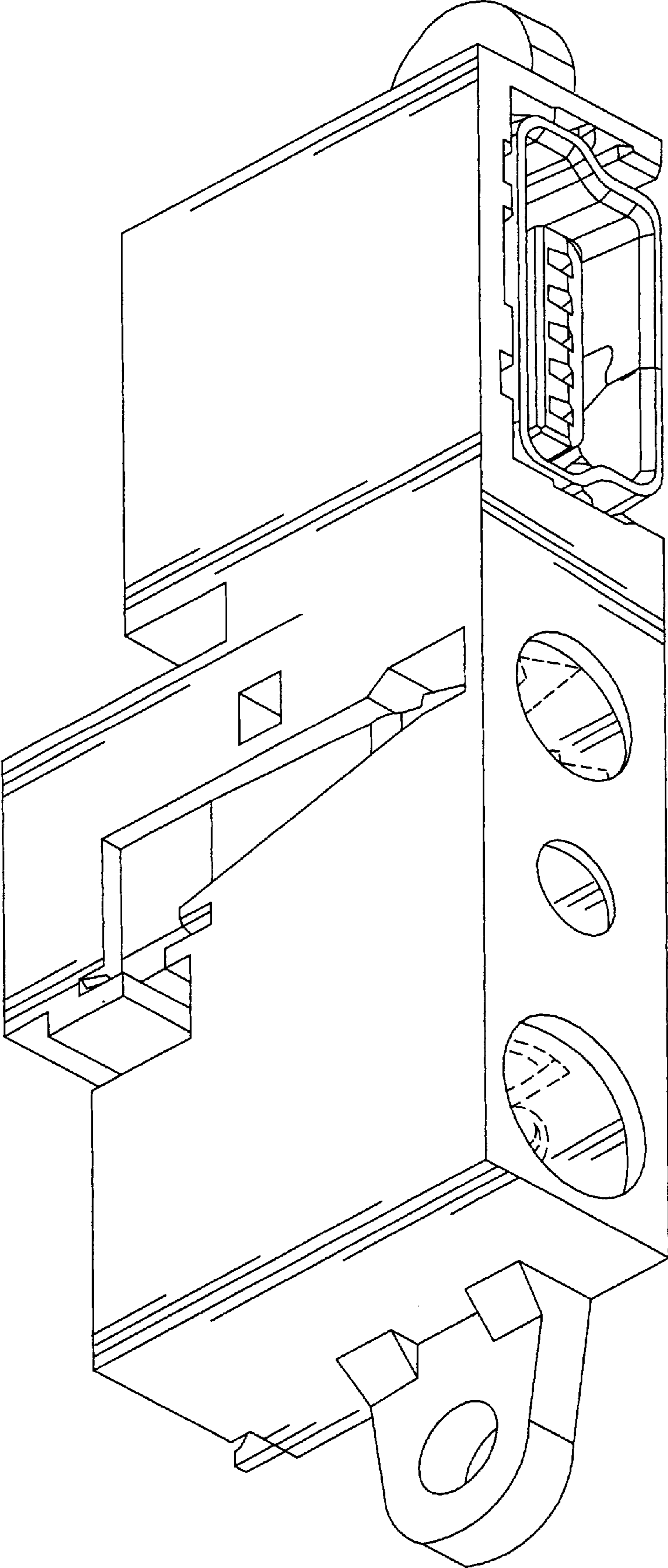


FIG.1

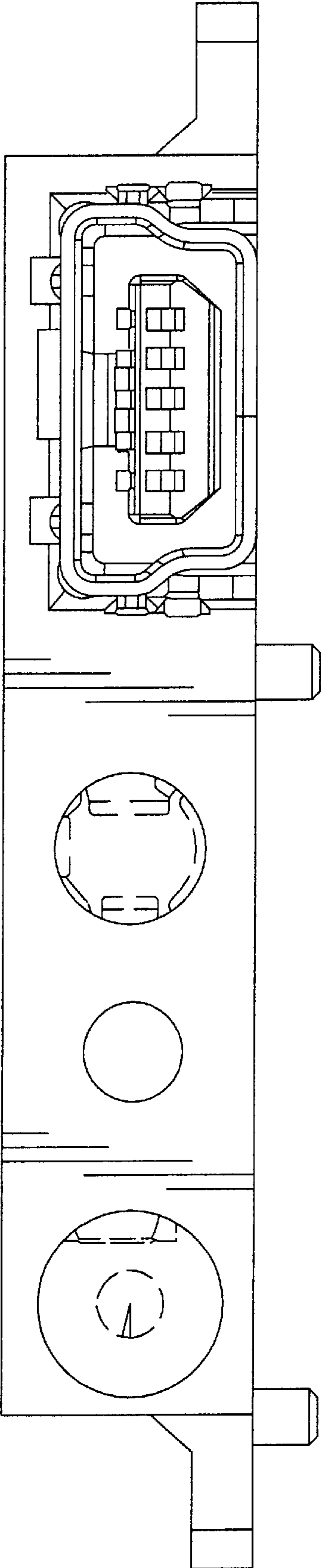


FIG. 2

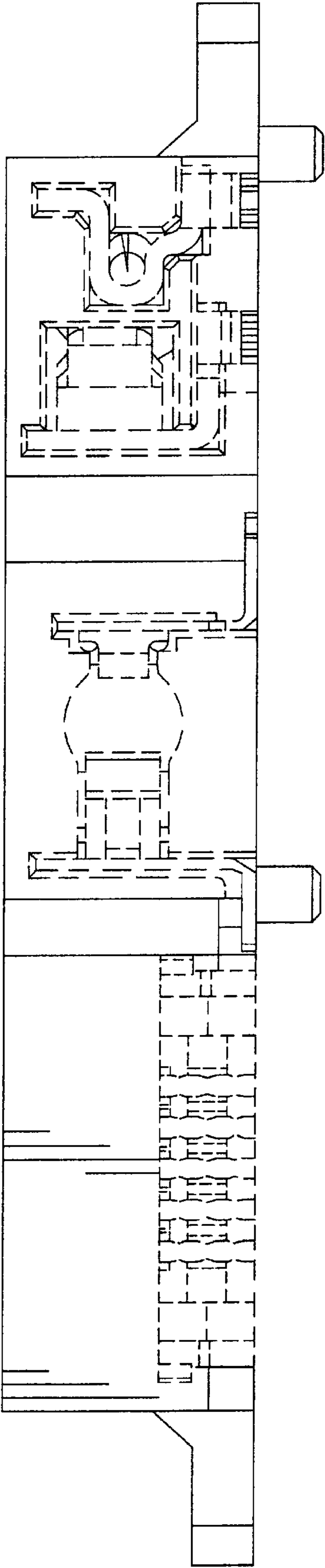


FIG.3

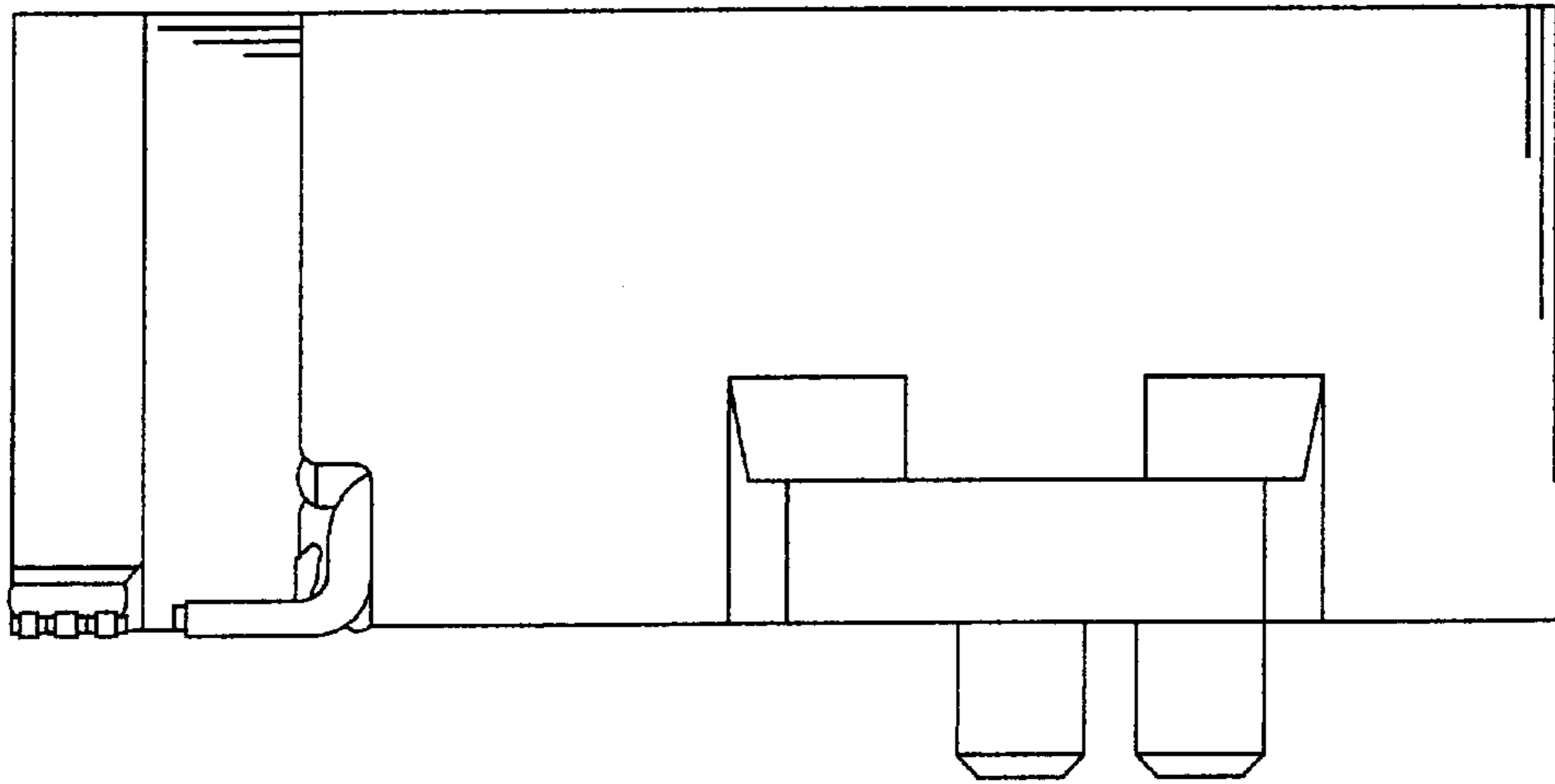


FIG. 4

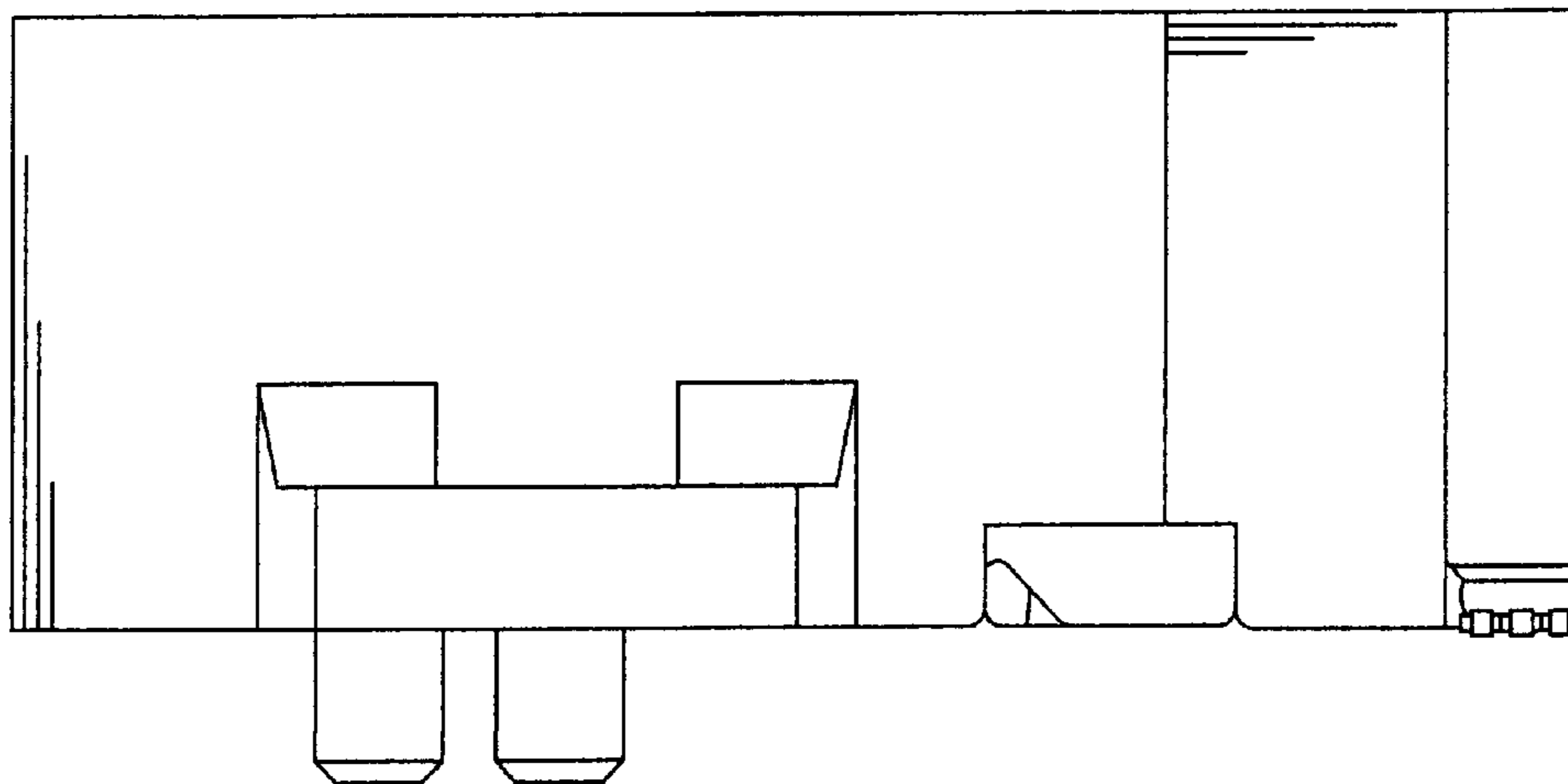


FIG. 5

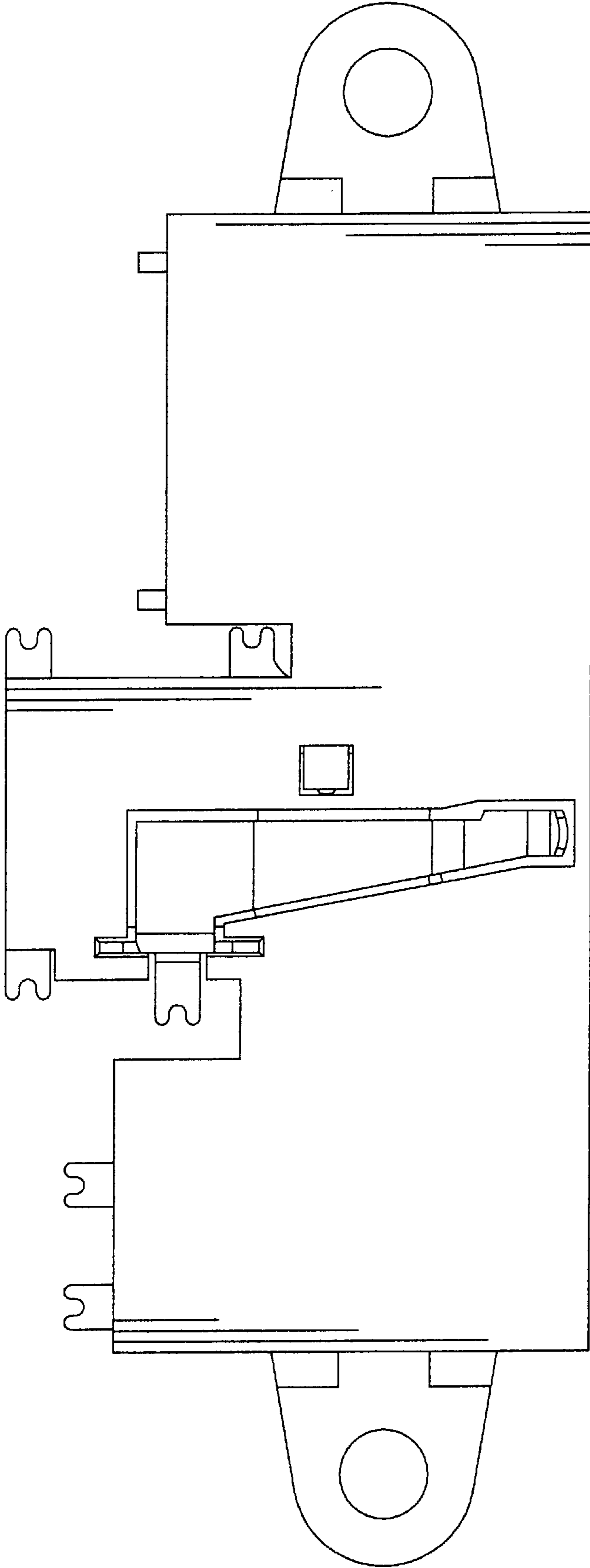


FIG.6

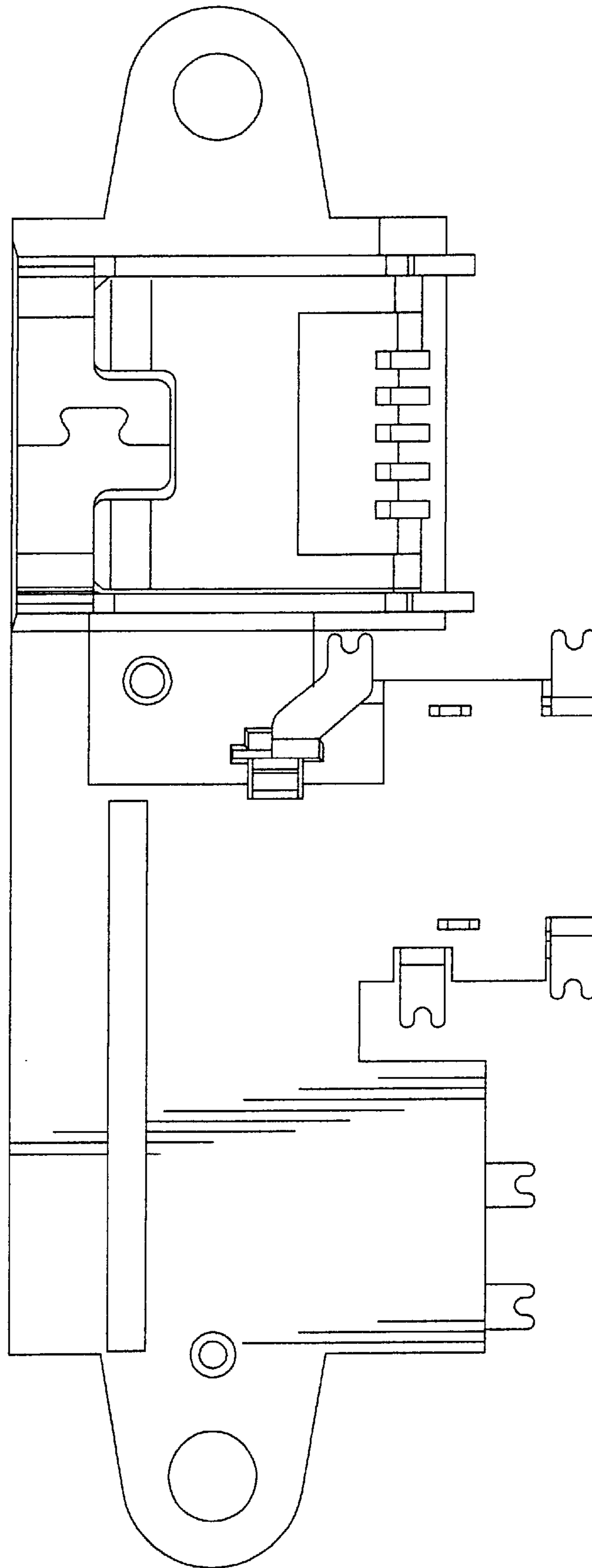


FIG. 7

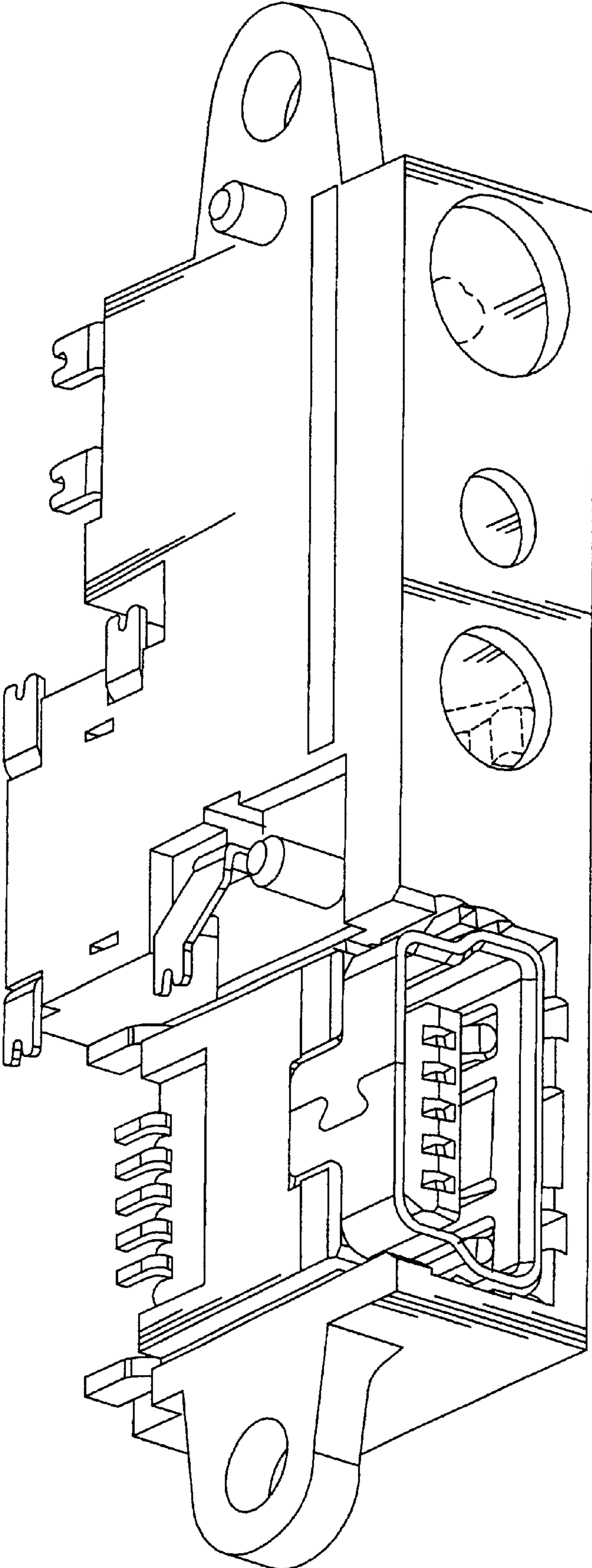


FIG.8