

US00D500004S

(12) **United States Design Patent**  
**Szavits**

(10) **Patent No.: US D500,004 S**

(45) **Date of Patent: \*\* Dec. 21, 2004**

(54) **FRONT FACE OF A VEHICLE WHEEL**

(75) **Inventor: Michael Szavits, Munich (DE)**

(73) **Assignee: Bayerische Motoren Werke  
Aktiengesellschaft, Munich (DE)**

(\*\*) **Term: 14 Years**

(21) **Appl. No.: 29/200,240**

(22) **Filed: Feb. 26, 2004**

(30) **Foreign Application Priority Data**

Aug. 27, 2003 (DE) ..... 403 05 622

(51) **LOC (7) Cl. .... 12-16**

(52) **U.S. Cl. .... D12/211**

(58) **Field of Search ..... D12/204-231;  
301/37.101, 64.101, 65**

(56) **References Cited**

**U.S. PATENT DOCUMENTS**

D419,513 S \* 1/2000 Hartanto ..... D12/209

D452,839 S \* 1/2002 Muth et al. .... D12/209

D472,866 S \* 4/2003 Pfeiffer et al. .... D12/211

D477,801 S \* 7/2003 Brown et al. .... D12/211

D480,034 S \* 9/2003 Donikoglu ..... D12/209

D485,223 S \* 1/2004 Pfeiffer et al. .... D12/209

D493,761 S \* 8/2004 Kang ..... D12/211

\* cited by examiner

*Primary Examiner*—Stacia Cadmus

(74) *Attorney, Agent, or Firm*—Crowell & Moring LLP

(57) **CLAIM**

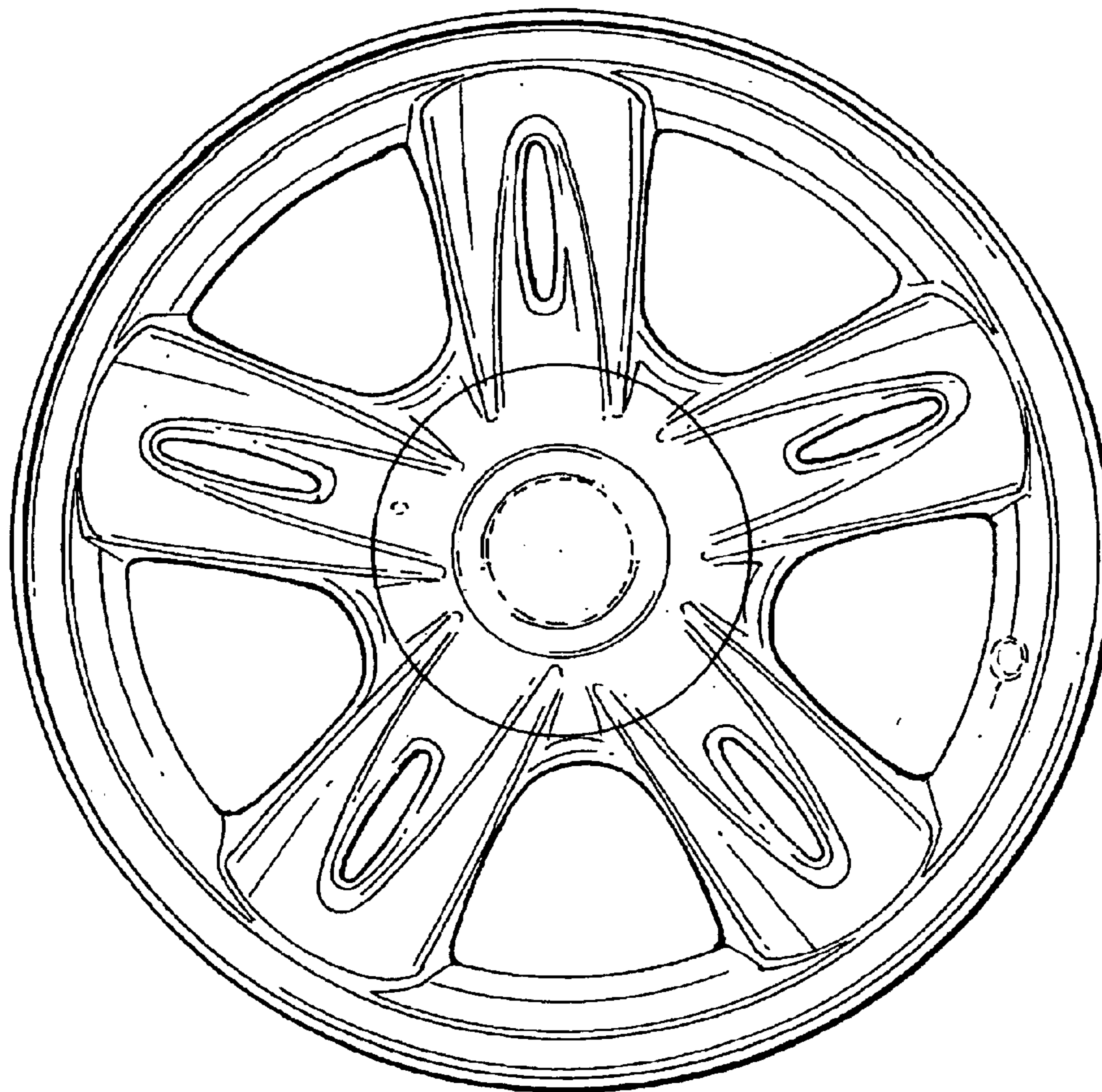
The ornamental design for a front face of a vehicle wheel,  
as shown and described.

**DESCRIPTION**

FIG. 1 is a front view of a front face of a vehicle wheel  
according to my novel design; and,

FIG. 2 is a perspective view of a front face of a vehicle wheel  
according to my novel design.

**1 Claim, 1 Drawing Sheet**



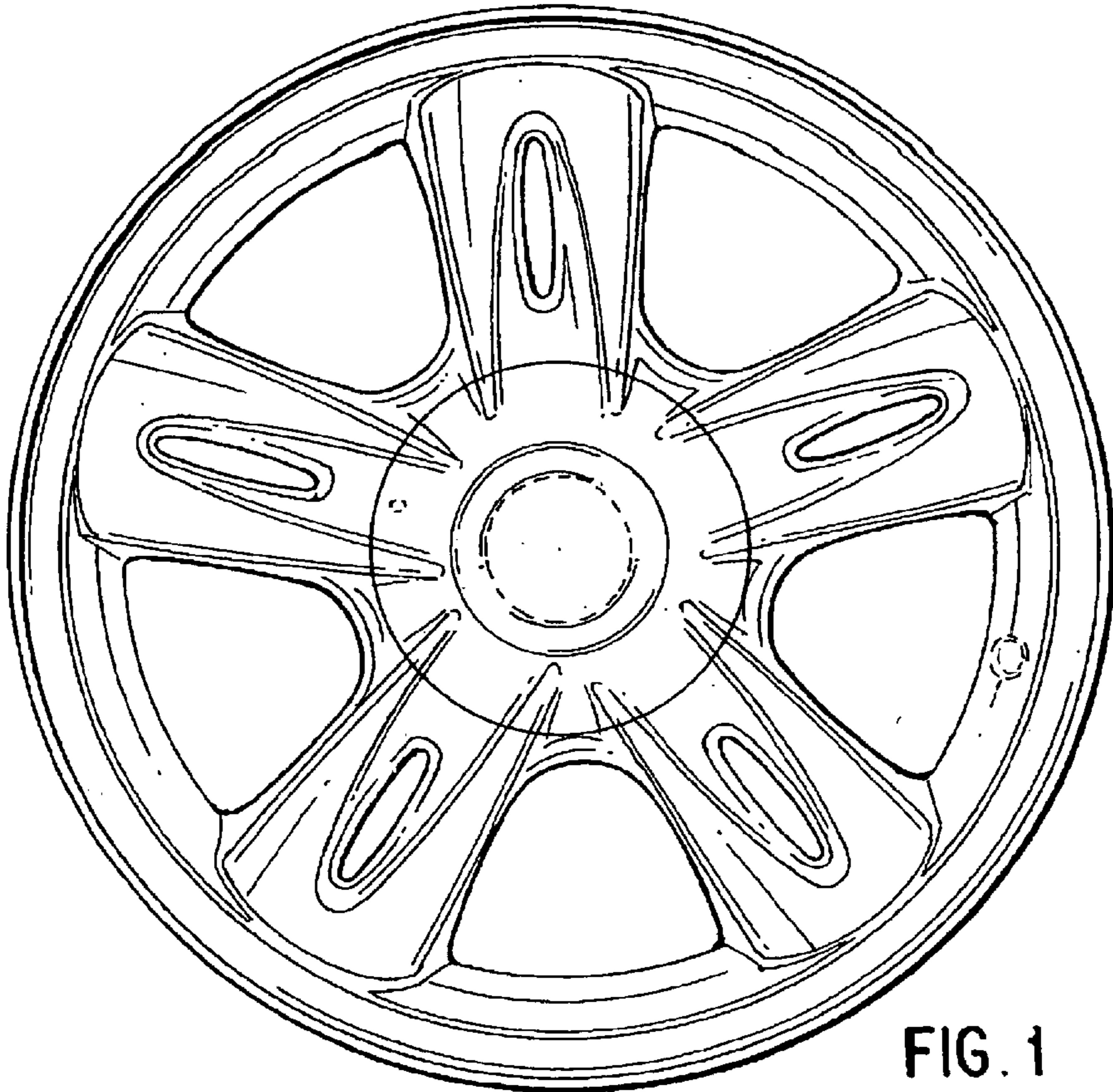


FIG. 1

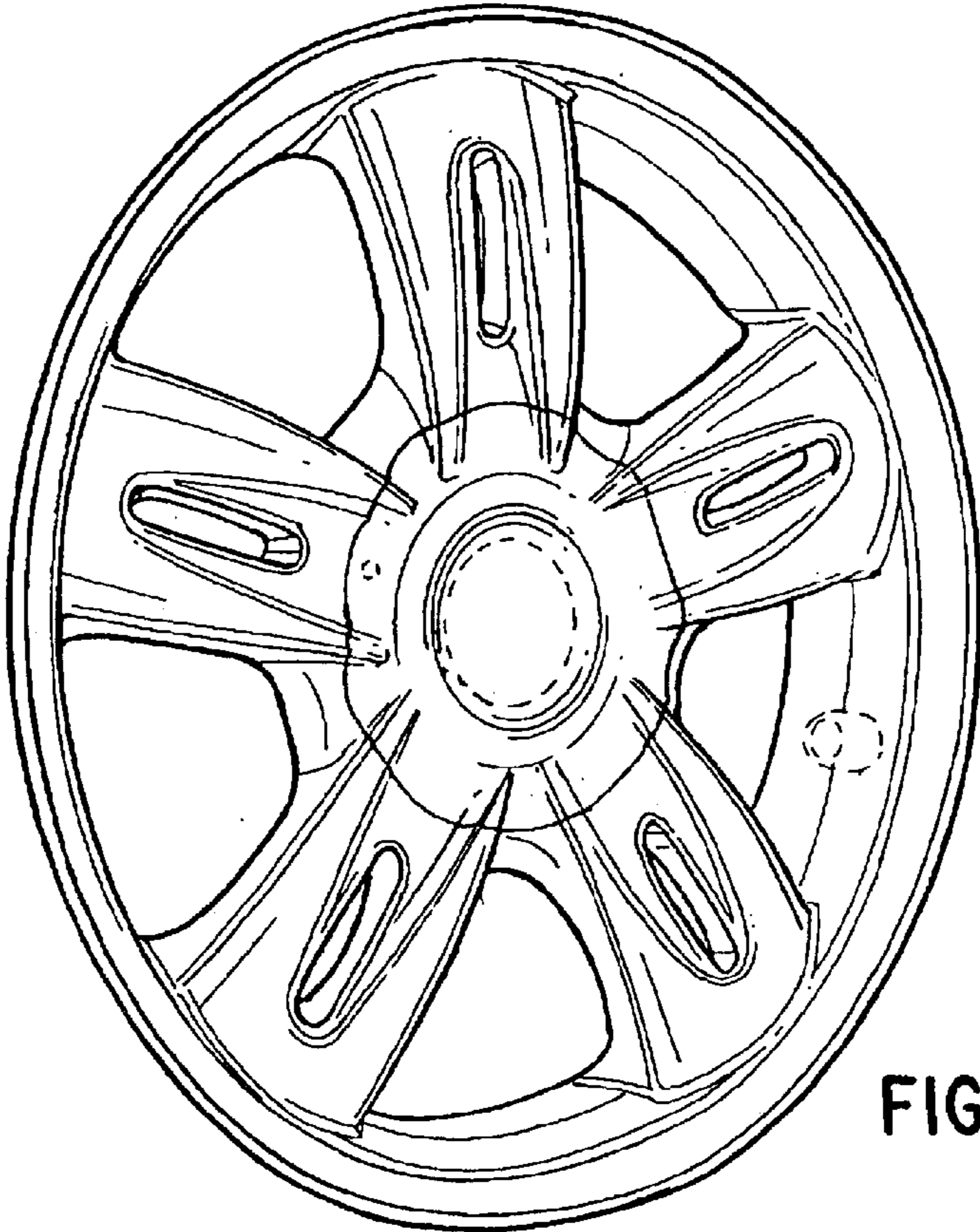


FIG. 2