



US00D500003S

(12) **United States Design Patent**
Guevara

(10) **Patent No.: US D500,003 S**

(45) **Date of Patent: ** Dec. 21, 2004**

(54) **SEVEN SPOKE ALLOY WHEEL**

(76) **Inventor: Ricardo S. Guevara, 121 Express St.,
Plainview, NY (US) 11803**

(**) **Term: 14 Years**

(21) **Appl. No.: 29/196,281**

(22) **Filed: Dec. 24, 2003**

(51) **LOC (7) Cl. 12-16**

(52) **U.S. Cl. D12/211**

(58) **Field of Search D12/204-213;
301/37.101, 64.101, 65**

D482,997 S	*	12/2003	Viandante	D12/211
D484,083 S	*	12/2003	Tai	D12/211
D484,084 S	*	12/2003	Tai	D12/211
D485,523 S	*	1/2004	Takechi	D12/209
D486,112 S	*	2/2004	Lecher	D12/211
D486,114 S	*	2/2004	Lai	D12/211

* cited by examiner

Primary Examiner—Stacia Cadmus

(74) *Attorney, Agent, or Firm*—Collard & Roe, P.C.

(57) **CLAIM**

The ornamental design for a seven spoke alloy wheel, as shown and described.

DESCRIPTION

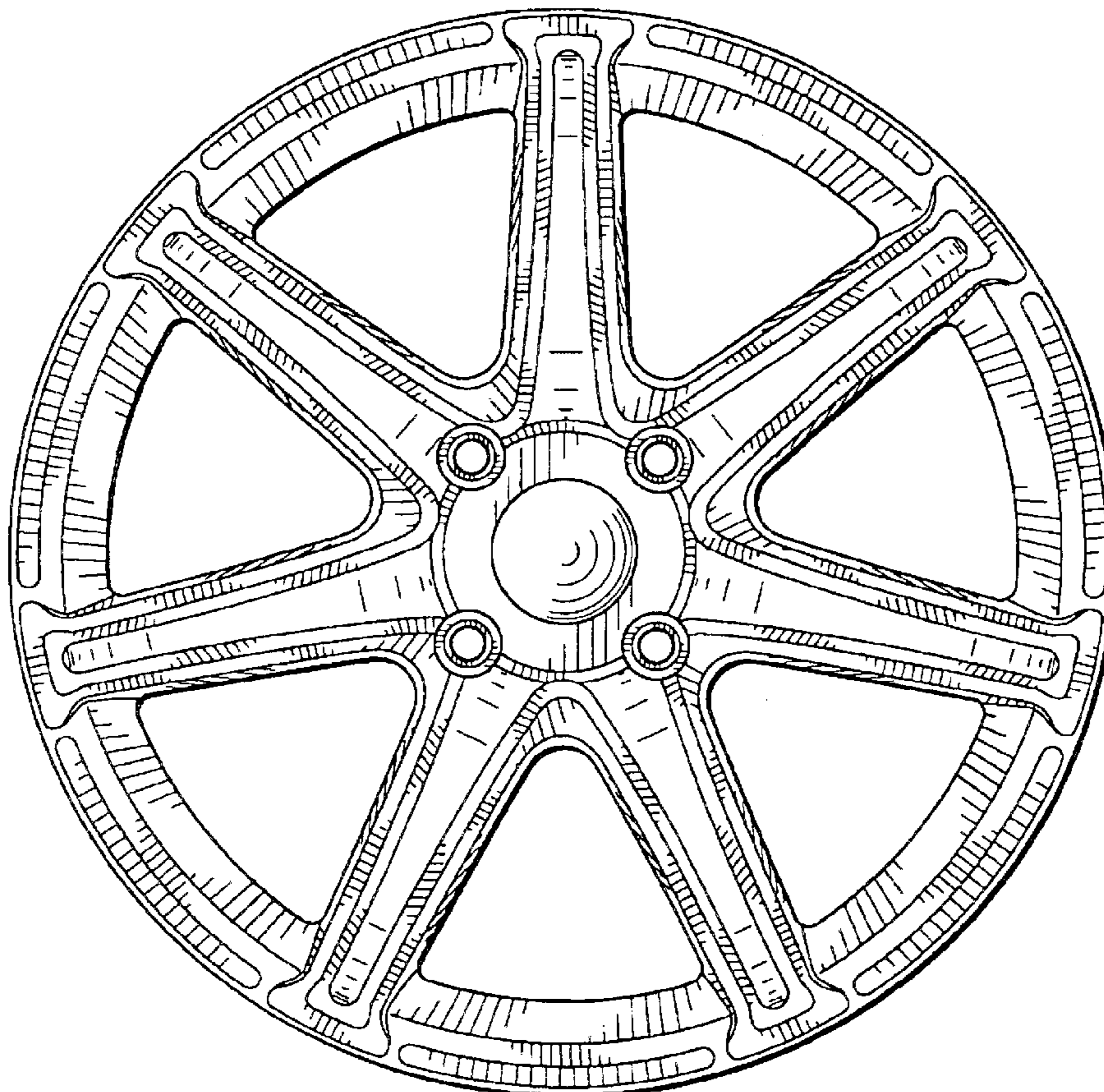
FIG. 1 shows a front perspective view of a seven spoke wheel;
FIG. 2 shows a front-side view of a seven spoke alloy wheel;
and,
FIG. 3 shows a side view of a seven spoke wheel shown in
FIGS. 1 and 2 with the opposite side being identical as the
wheel is symmetrical.

(56) **References Cited**

U.S. PATENT DOCUMENTS

D464,305 S	*	10/2002	Chung	D12/209
D465,185 S	*	11/2002	Chung	D12/211
D470,093 S	*	2/2003	Frizzi	D12/209
D480,037 S	*	9/2003	Takechi	D12/211
D480,673 S	*	10/2003	Bhambra et al.	D12/209
D481,664 S	*	11/2003	Vian	D12/211
D481,984 S	*	11/2003	Sulahian	D12/211

1 Claim, 3 Drawing Sheets



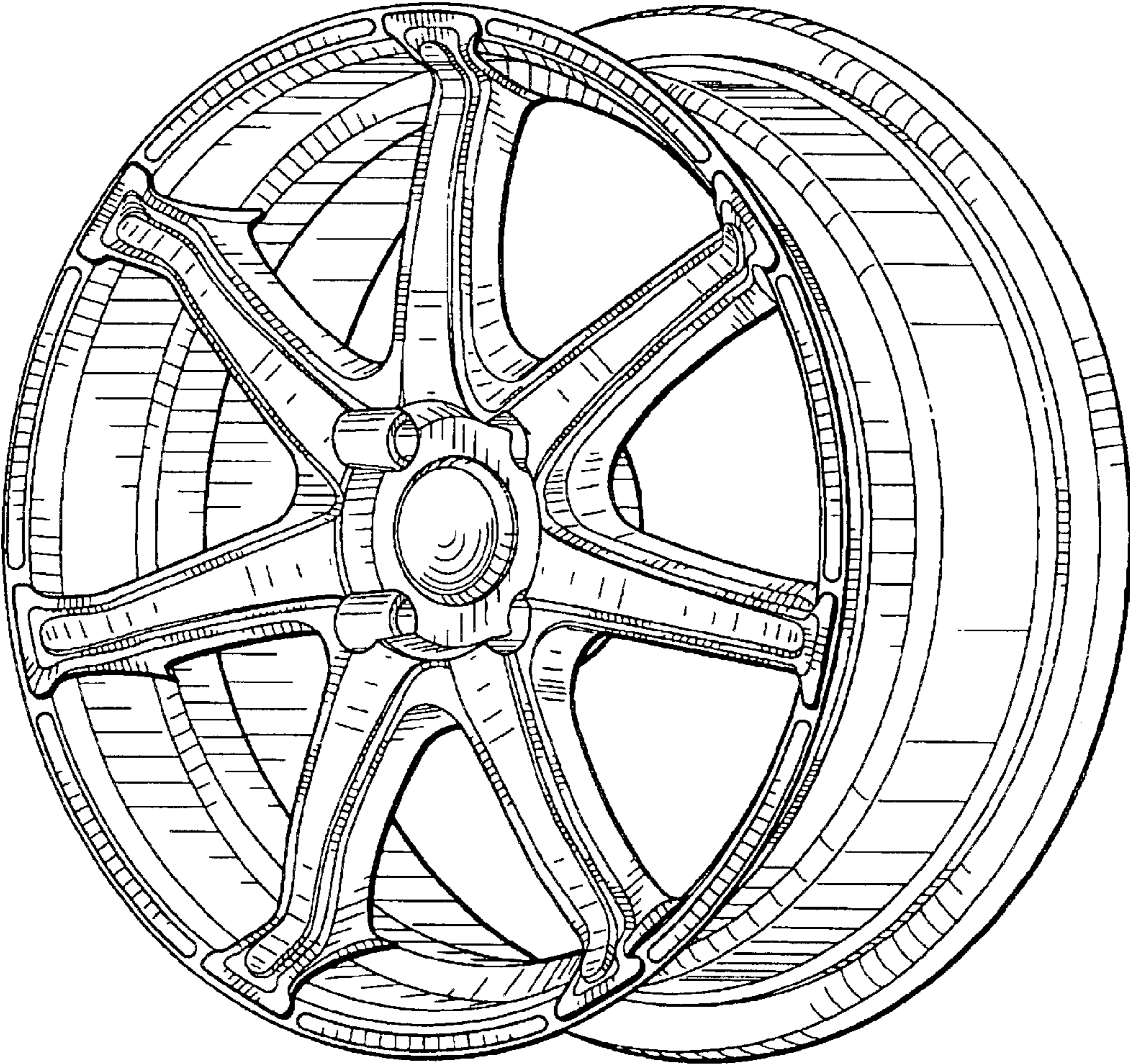


FIG. 1

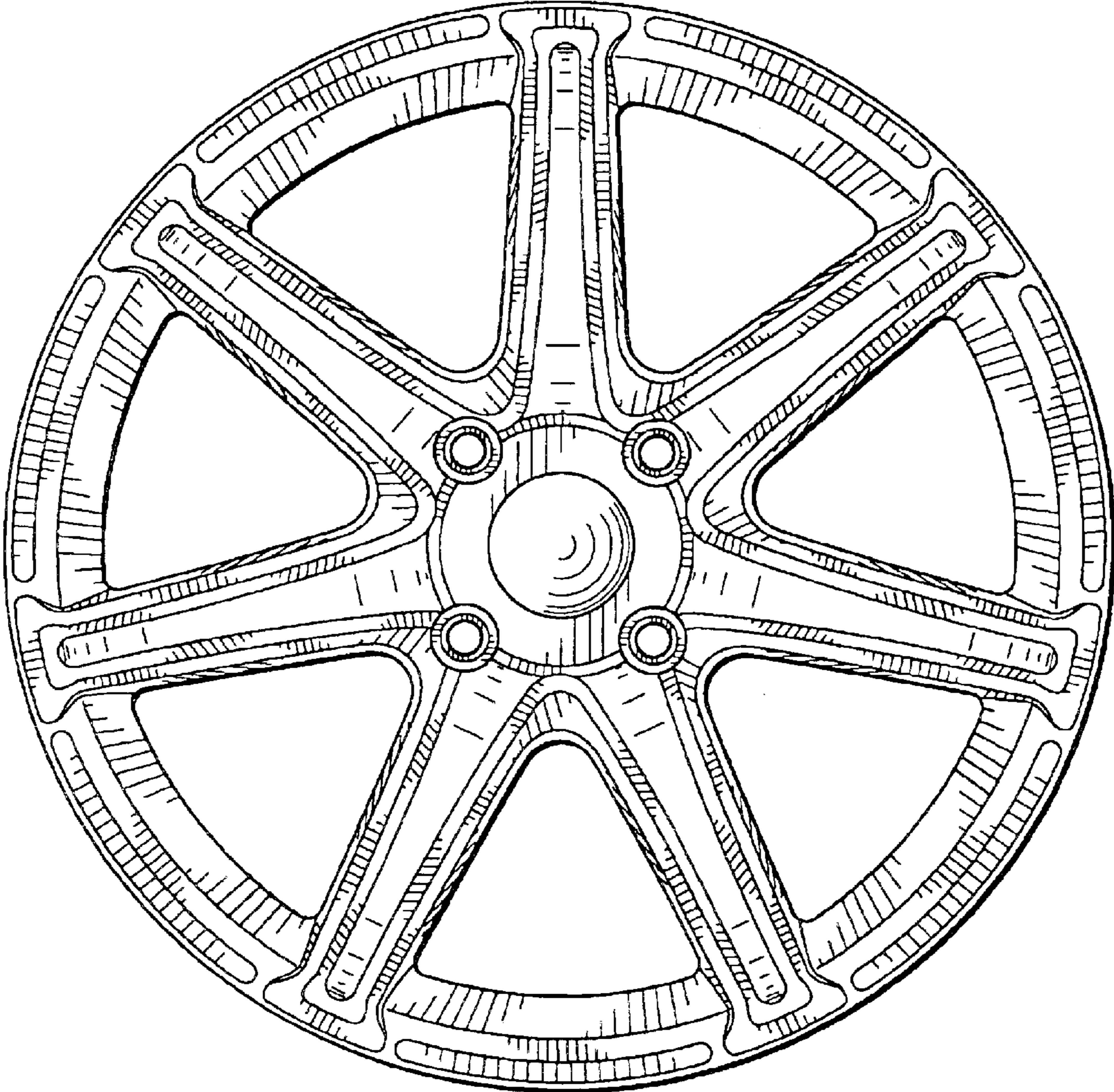


FIG. 2

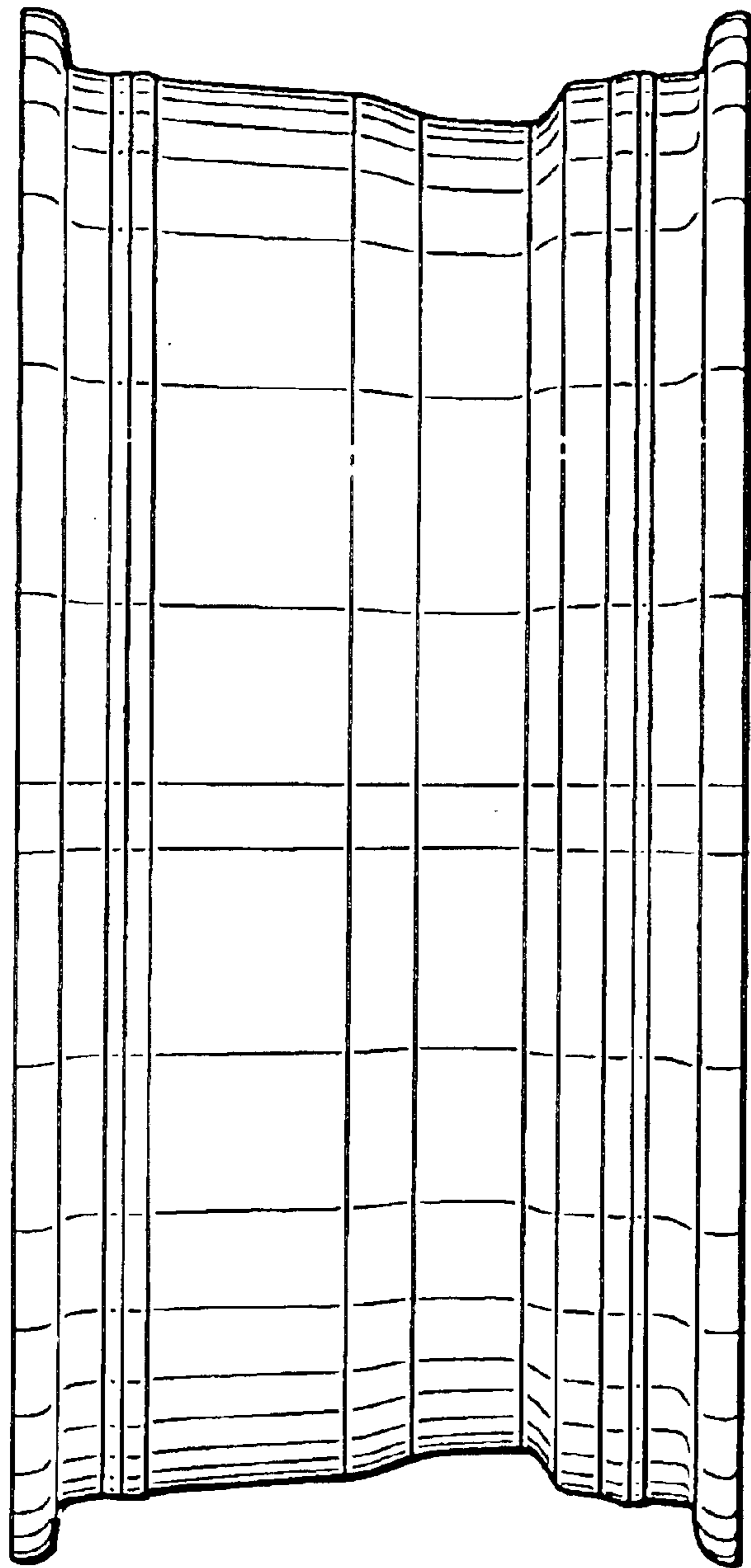


FIG. 3