

US00D500002S

(12) **United States Design Patent**
Kushartanto

(10) **Patent No.:** **US D500,002 S**

(45) **Date of Patent:** **** Dec. 21, 2004**

(54) **VEHICLE WHEEL**

(75) Inventor: **A. Kushartanto**, Surabaya (ID)

(73) Assignee: **PT Prima Alloy Steel Universal**,
Sidoarjo (ID)

(**) Term: **14 Years**

(21) Appl. No.: **29/204,312**

(22) Filed: **Apr. 27, 2004**

(51) **LOC (7) Cl.** **12-16**

(52) **U.S. Cl.** **D12/209**

(58) **Field of Search** D12/204-213;
301/37.101, 64.101, 65

(56) **References Cited**

U.S. PATENT DOCUMENTS

- D375,478 S * 11/1996 Pfeiffer D12/209
- D396,681 S * 8/1998 Boyer D12/209
- D444,756 S * 7/2001 Brintouch D12/209
- D451,873 S * 12/2001 Donikoglu D12/209

- D464,308 S * 10/2002 Chung D12/209
- D469,727 S * 2/2003 Lenz D12/209
- D472,864 S * 4/2003 Kataoka D12/209
- D478,542 S * 8/2003 Sulahian D12/209

* cited by examiner

Primary Examiner—Stacia Cadmus

(74) *Attorney, Agent, or Firm*—Fulwider Patton Lee & Utecht, LLP

(57) **CLAIM**

The ornamental design for the “vehicle wheel,” as shown and described.

DESCRIPTION

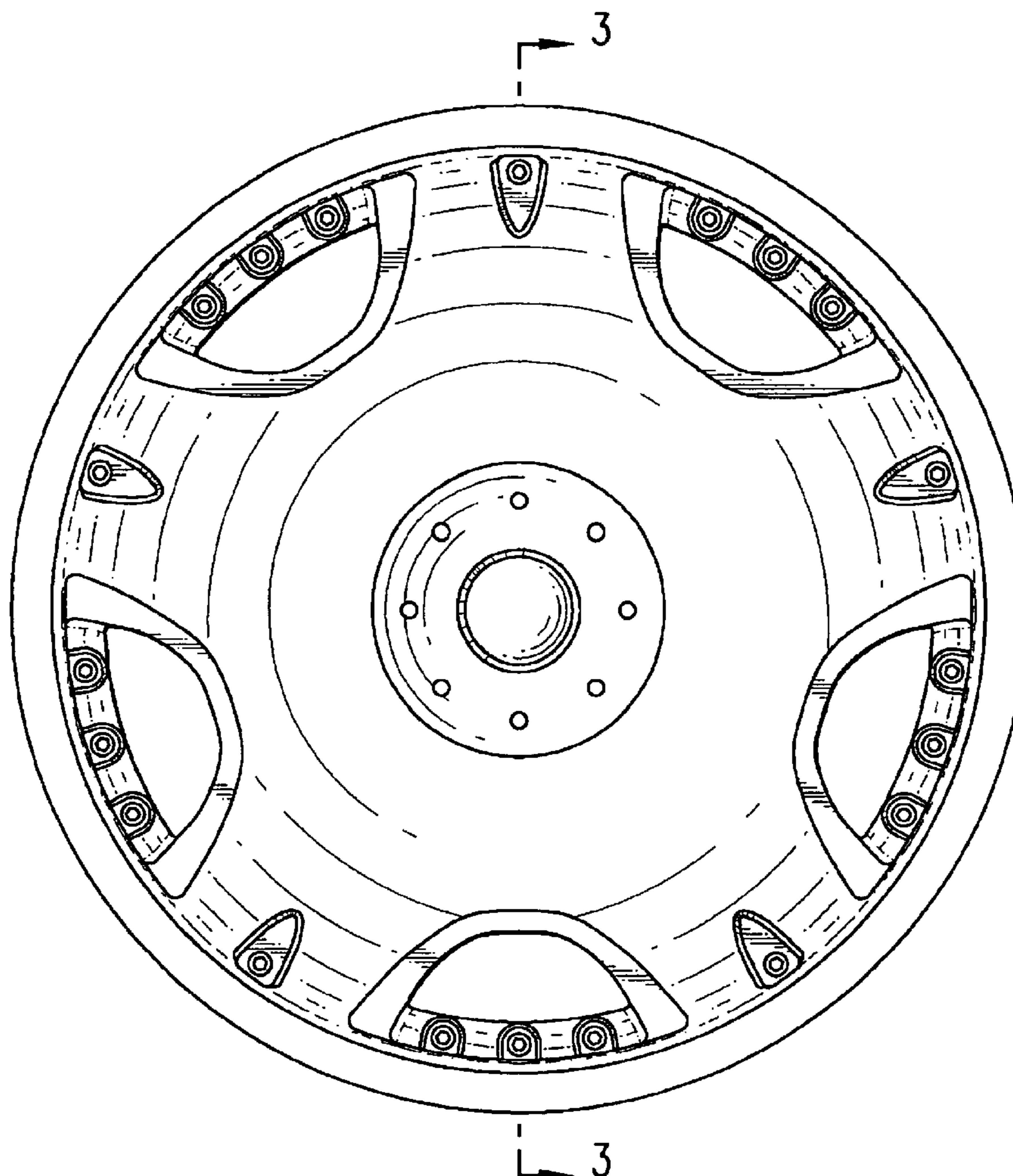
FIG. 1 is a perspective view of the vehicle wheel showing my new design;

FIG. 2 is a front elevational view thereof; and,

FIG. 3 is a cross-sectional view taken along the lines of 3—3 of FIG. 2.

The broken line showing of environment is for illustrative purposes only and forms no part of the claimed design.

1 Claim, 3 Drawing Sheets



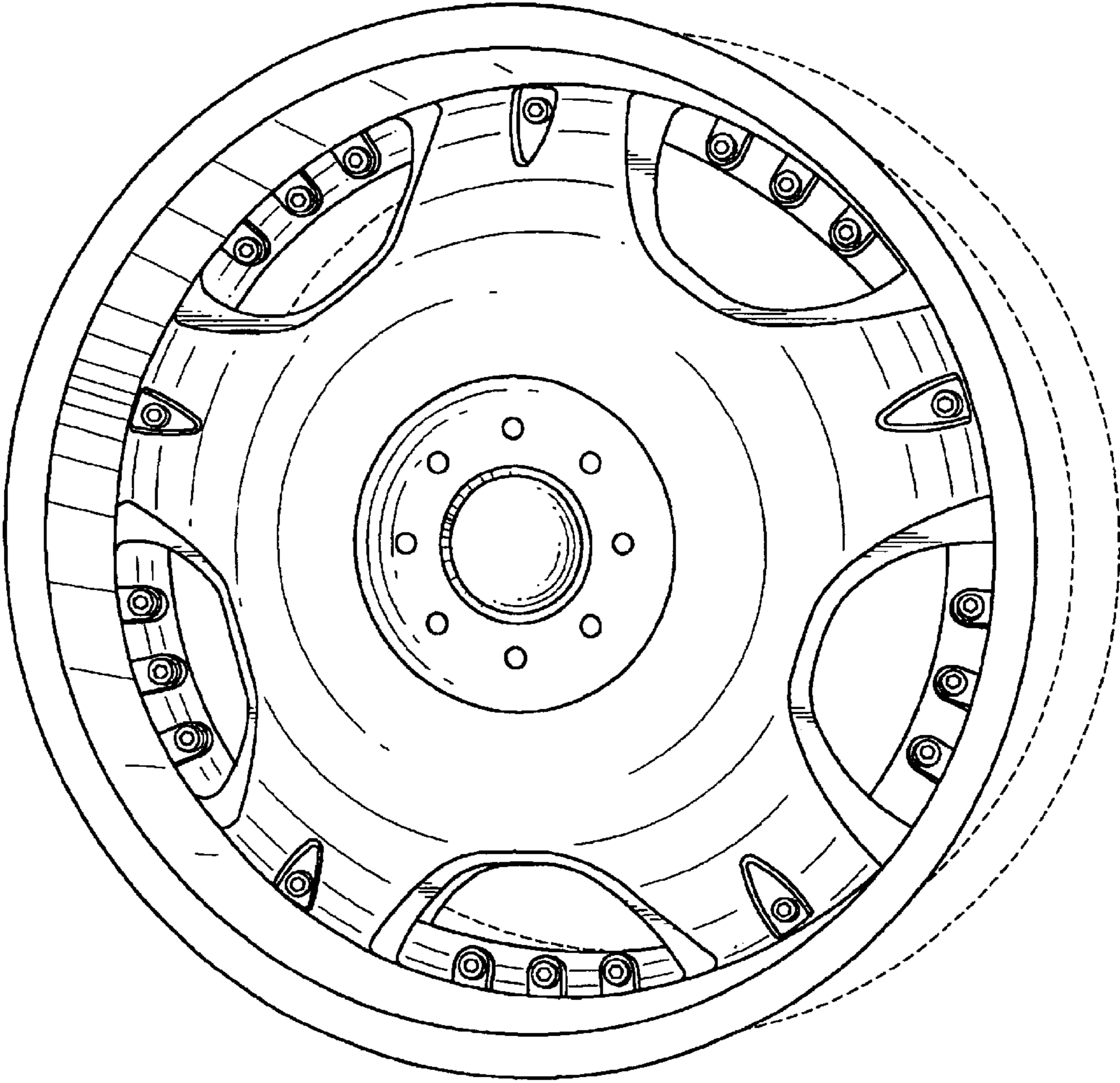


FIG. 1

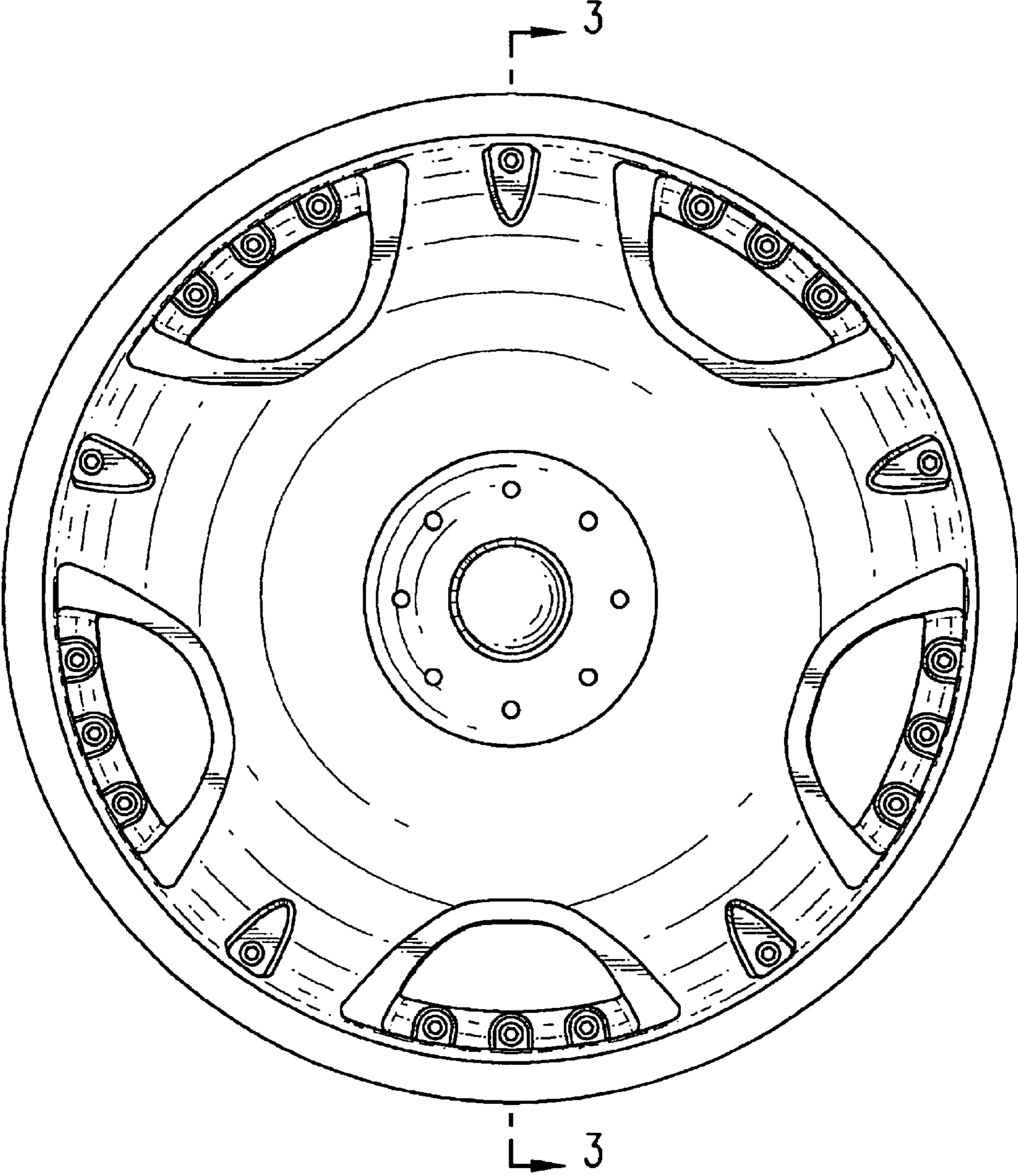


FIG. 2

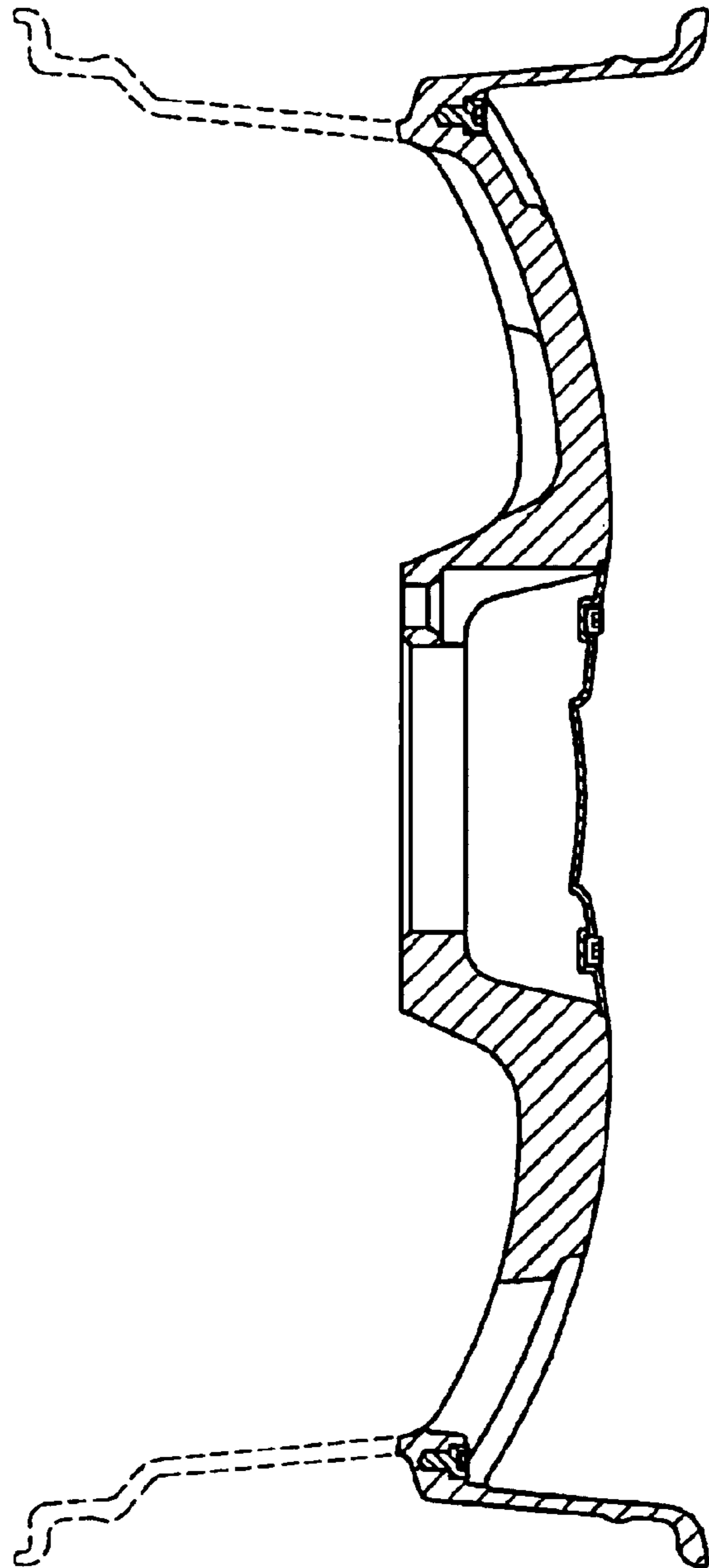


FIG. 3