

US00D499998S

(12) **United States Design Patent** (10) **Patent No.:** **US D499,998 S**
Tanaka et al. (45) **Date of Patent:** **** Dec. 21, 2004**

(54) **INSTRUMENTAL PANEL OF AUTOMOBILES**

D494,115 S * 8/2004 McPeck et al. D12/192

(75) Inventors: **Koichi Tanaka, Wako (JP); Koichi Yokomizo, Wako (JP)**

* cited by examiner

Primary Examiner—Stacia Cadmus

(73) Assignee: **Honda Motor Co., Ltd., Tokyo (JP)**

(74) *Attorney, Agent, or Firm*—Arent Fox, PLLC.

(**) Term: **14 Years**

(57) **CLAIM**

(21) Appl. No.: **29/201,685**

The ornamental design for an instrumental panel of automobiles, as shown and described.

(22) Filed: **Mar. 19, 2004**

DESCRIPTION

(30) **Foreign Application Priority Data**

Sep. 22, 2003 (JP) 2003-027704

(51) **LOC (7) Cl.** **12-16**

(52) **U.S. Cl.** **D12/192**

(58) **Field of Search** D12/192; 180/90; 280/750-752; 296/190-191, 70; D10/46, 102, 98, 122-127

FIG. 1 is a front view of an instrumental panel of automobiles showing my new design;
 FIG. 2 is a rear view thereof;
 FIG. 3 is a plan view thereof;
 FIG. 4 is a bottom view thereof;
 FIG. 5 is a right side view thereof;
 FIG. 6 is a left side view thereof;
 FIG. 7 is a front perspective view thereof as seen from the left side;
 FIG. 8 is a front perspective view thereof as seen from the right side;
 FIG. 9 is a reference front view thereof;
 FIG. 10 is an enlarged end face view in a sectioned area taken along a line 10-10 in FIG. 9;
 FIG. 11 is an enlarged end face view in a sectioned area taken along a line 11-11 in FIG. 9; and,
 FIG. 12 is an enlarged end face view in a sectioned area taken along a line 12-12 in FIG. 9.
 The gray portions in FIG. 9 are blank.

(56) **References Cited**

U.S. PATENT DOCUMENTS

- D378,910 S * 4/1997 Black et al. D12/192
- D413,095 S * 8/1999 Abalos et al. D12/192
- D423,434 S * 4/2000 Yano et al. D12/192
- D449,263 S * 10/2001 Yamazaki et al. D12/192
- D470,809 S * 2/2003 Asahi et al. D12/192
- D480,671 S * 10/2003 Pfeiffer et al. D12/192
- D489,660 S * 5/2004 Okumura et al. D12/192
- D492,631 S * 7/2004 Pfeiffer et al. D12/192
- D493,756 S * 8/2004 Yamamoto et al. D12/192

1 Claim, 6 Drawing Sheets

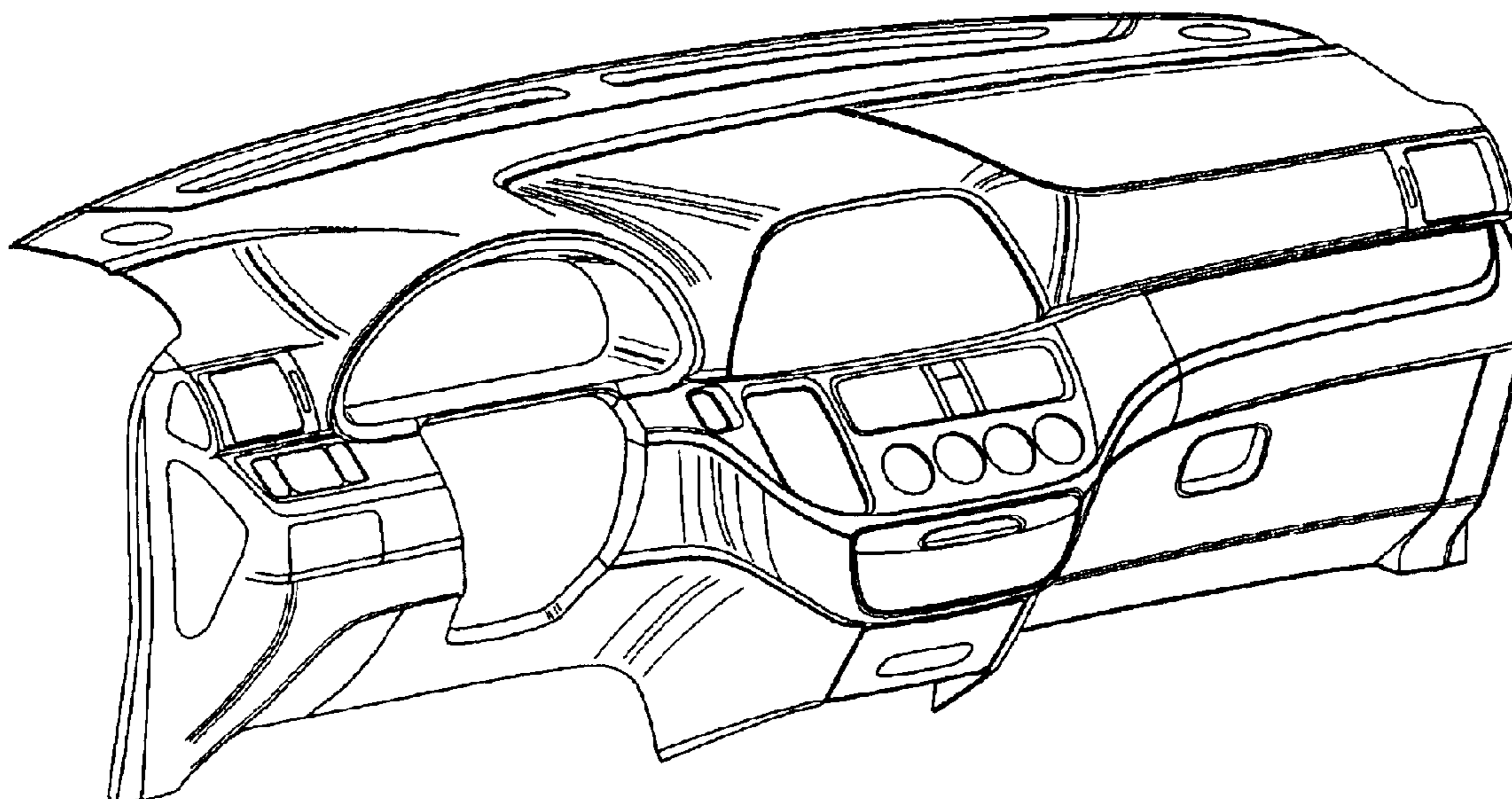


FIG.1

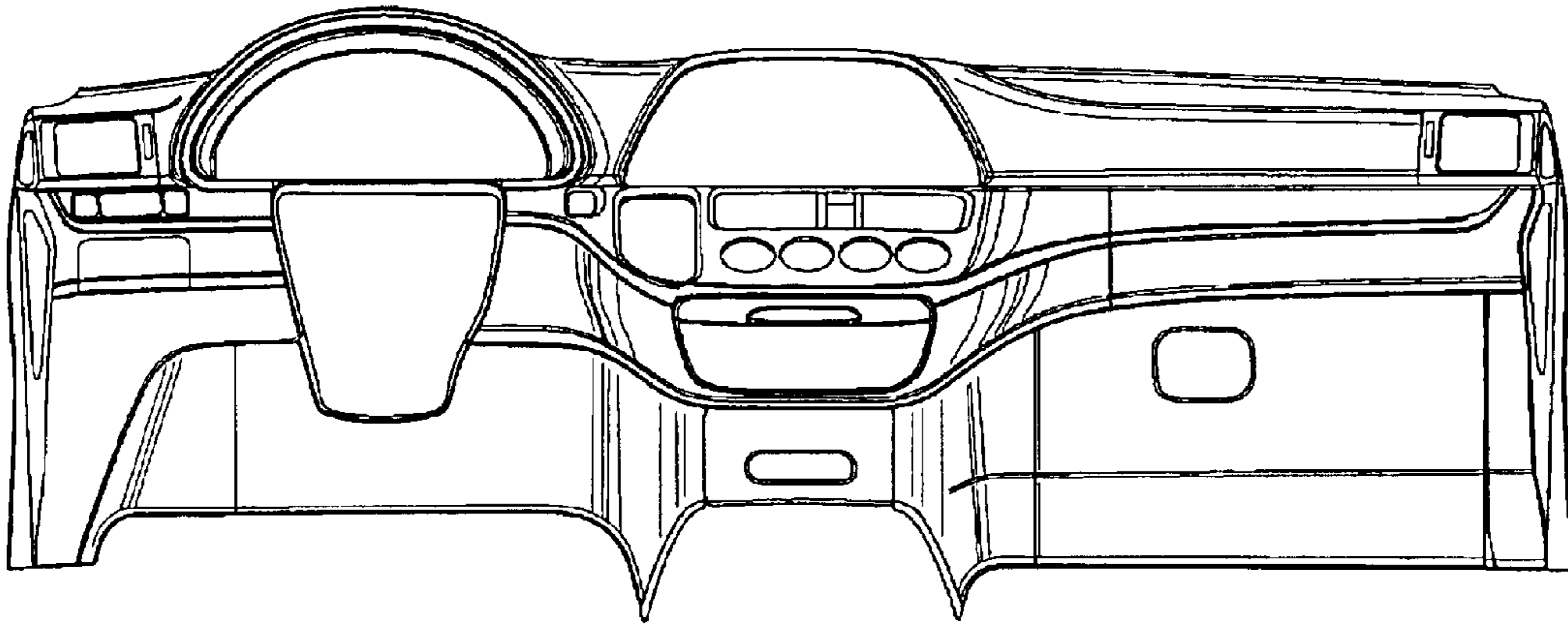


FIG.2

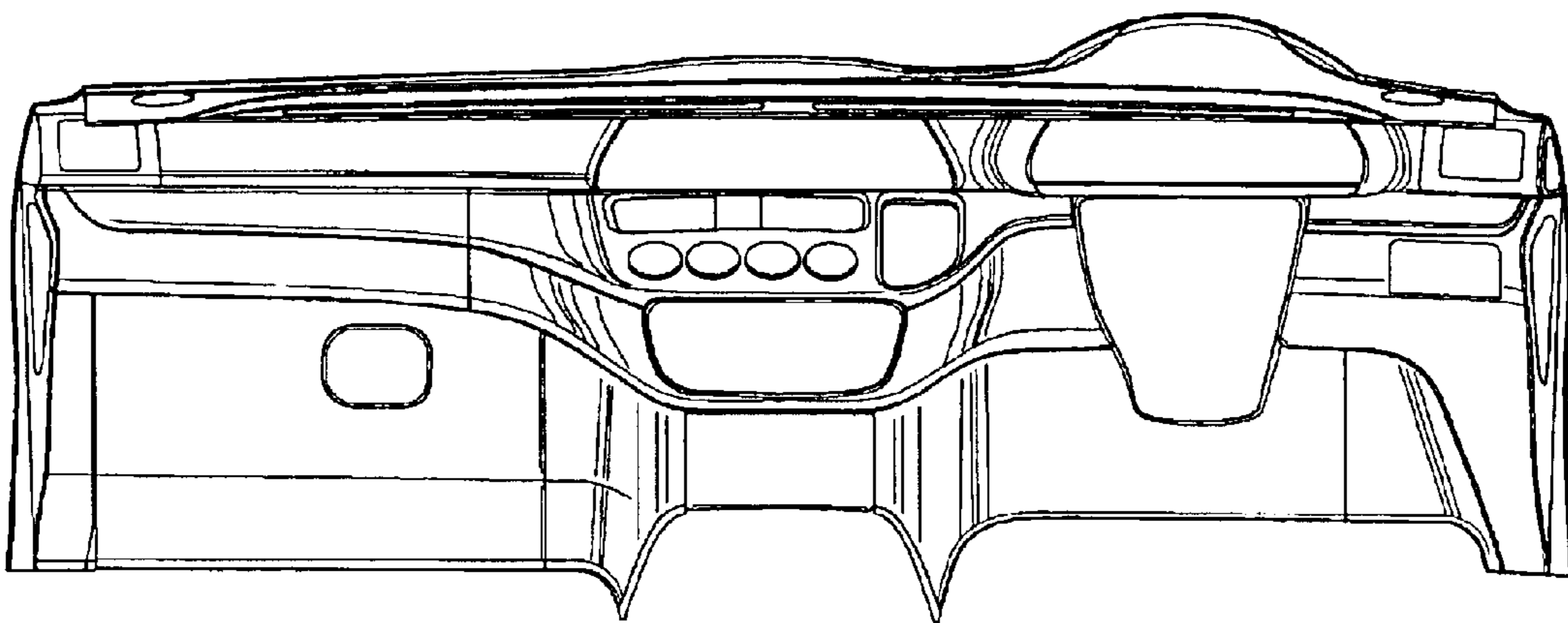


FIG.3

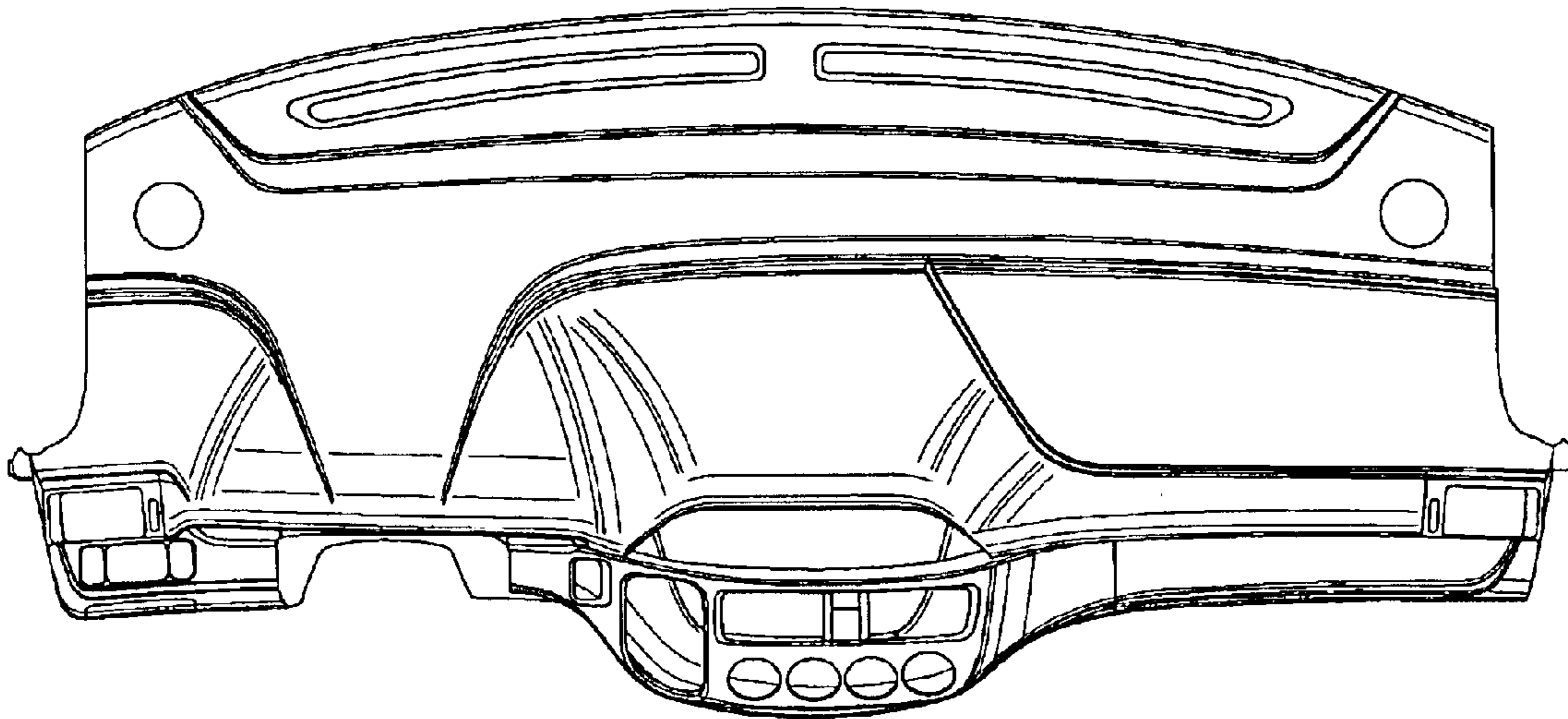


FIG.4

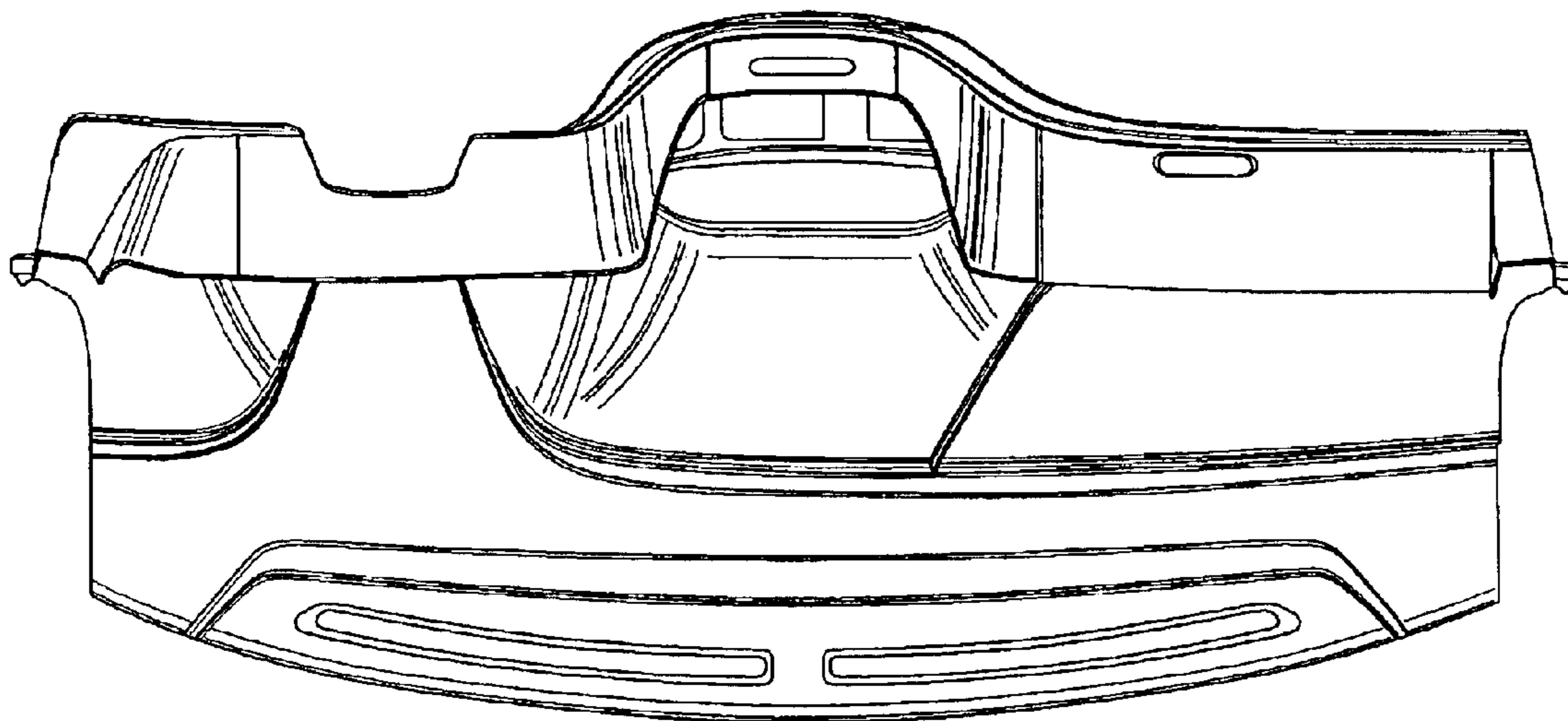


FIG.5

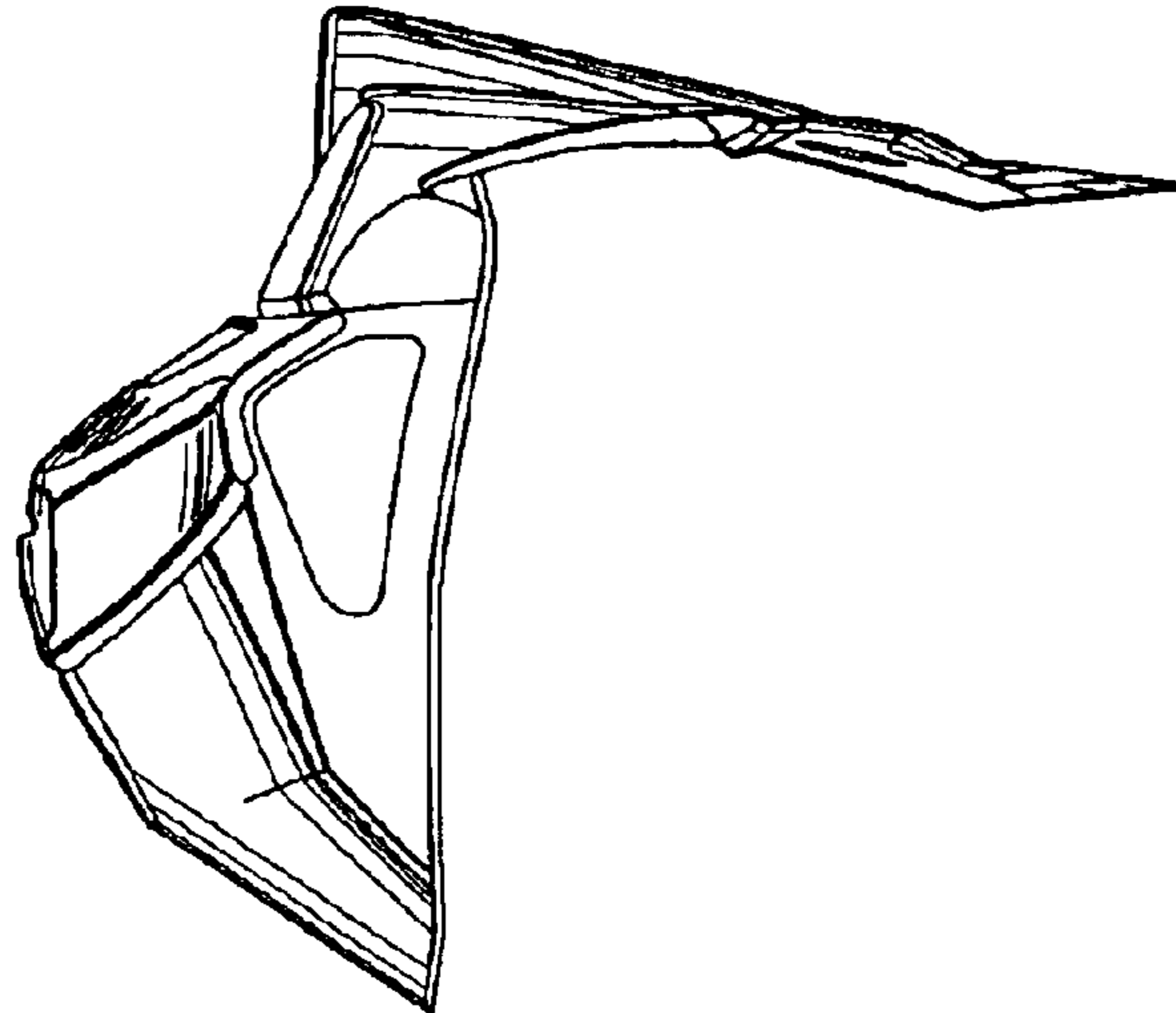


FIG.6

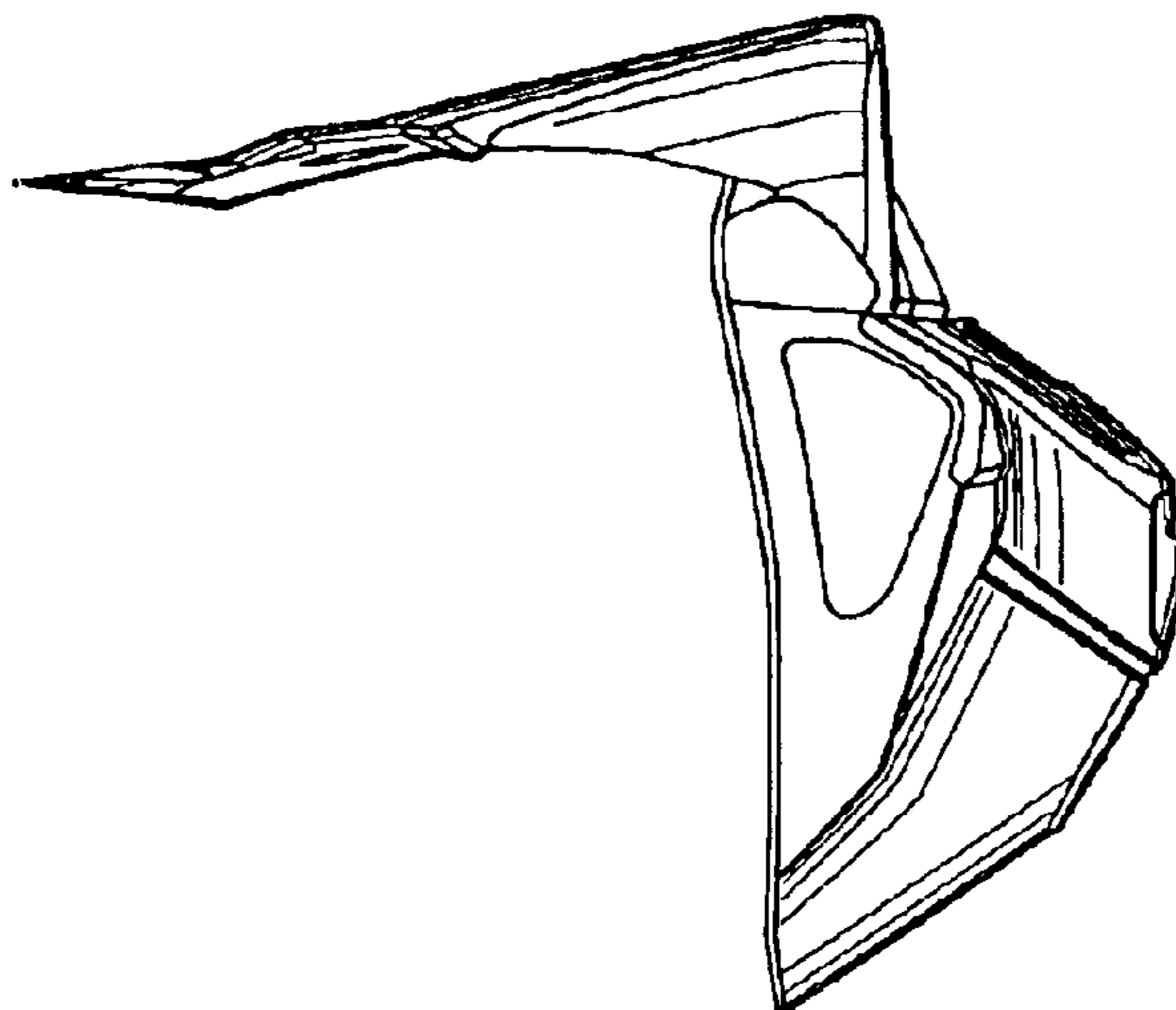


FIG.7

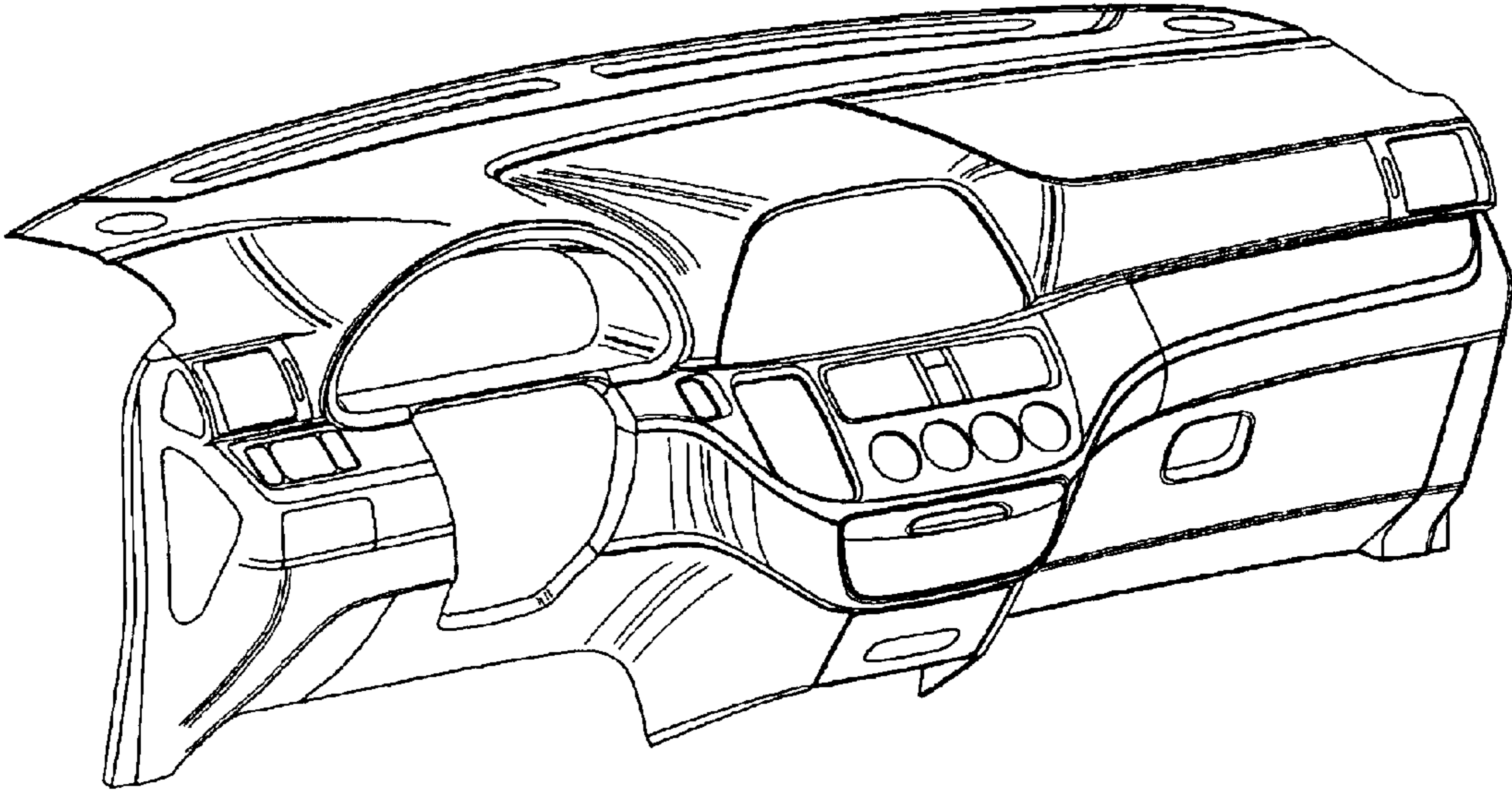


FIG.8

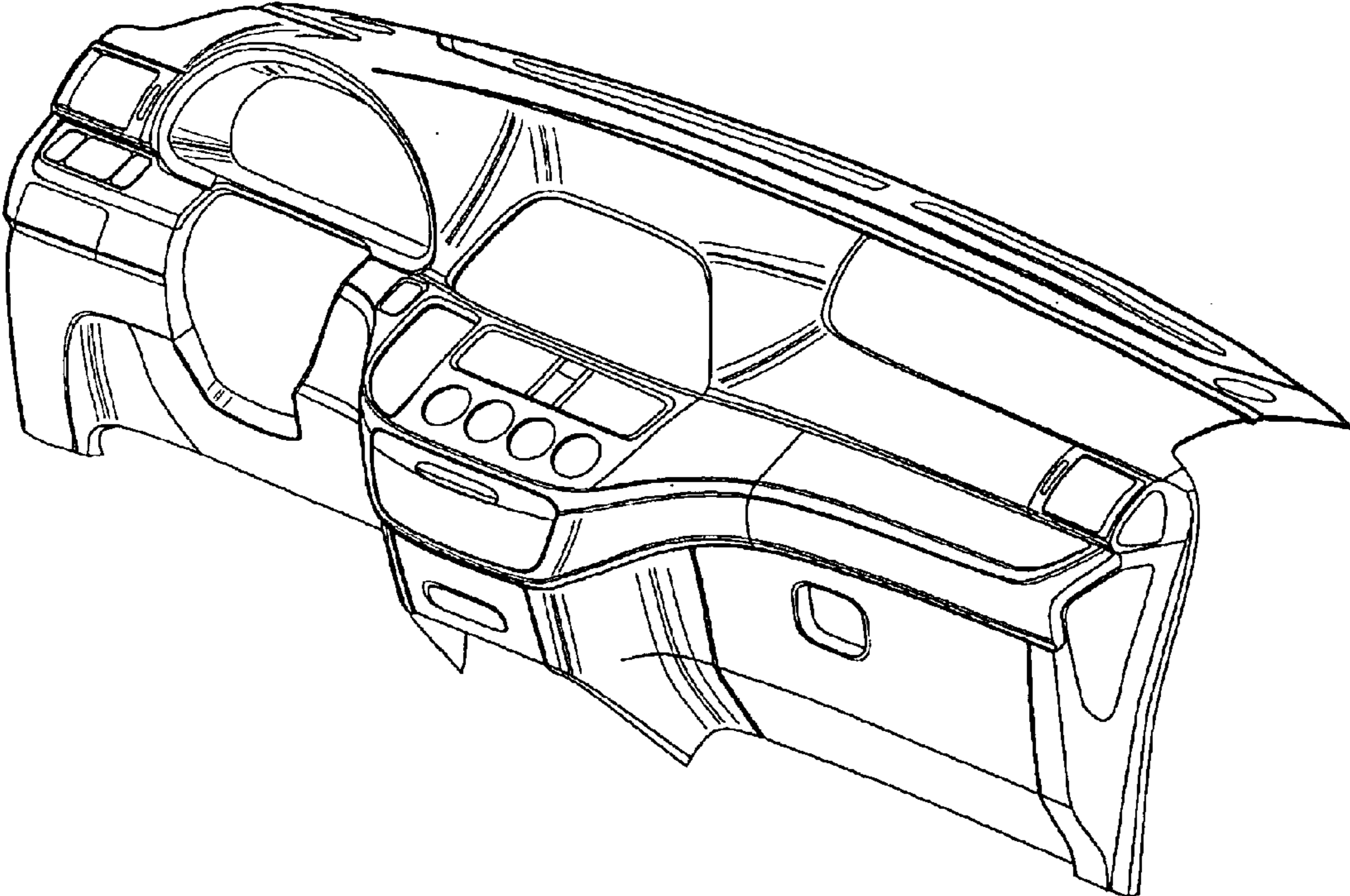


FIG.9

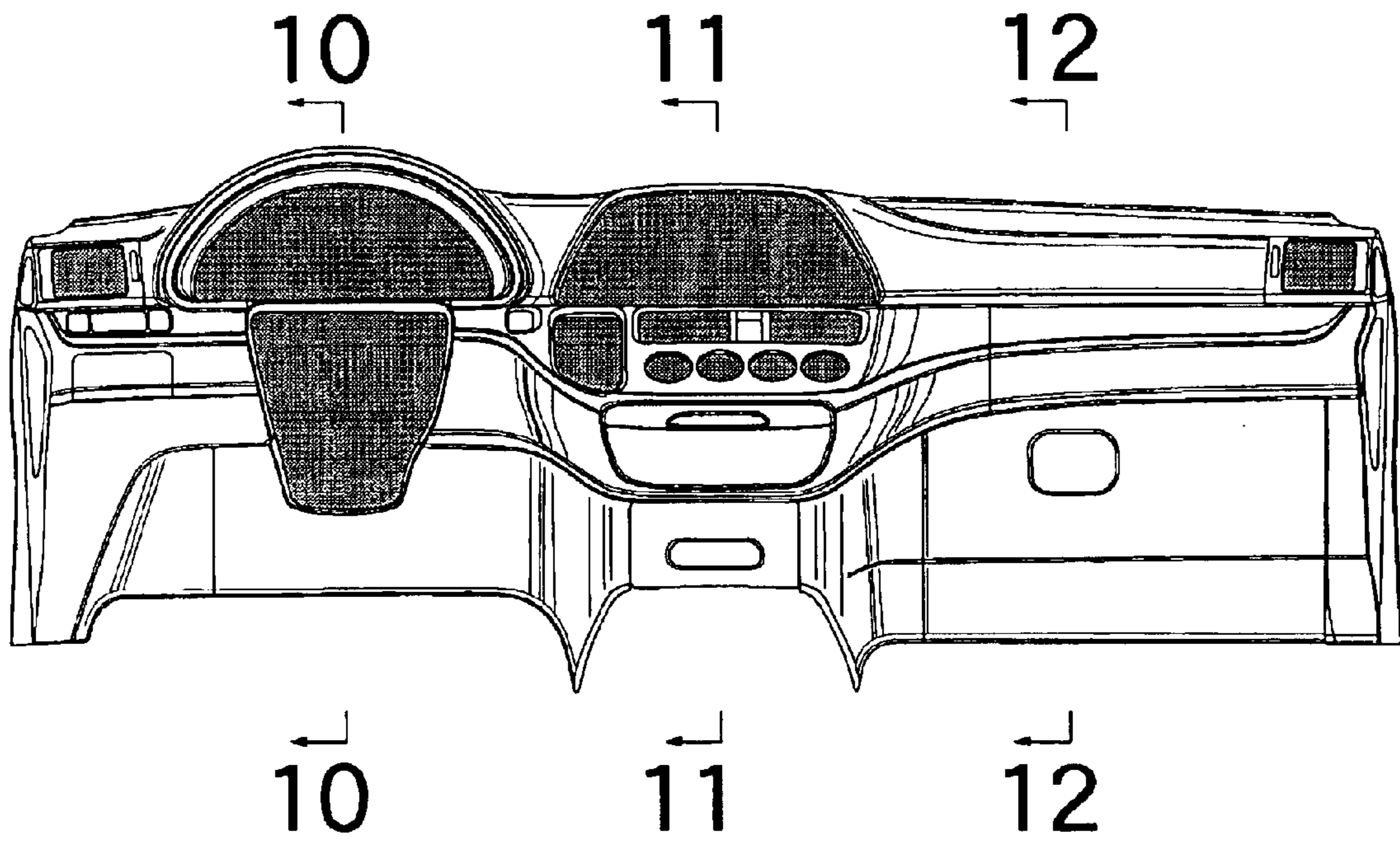


FIG.10

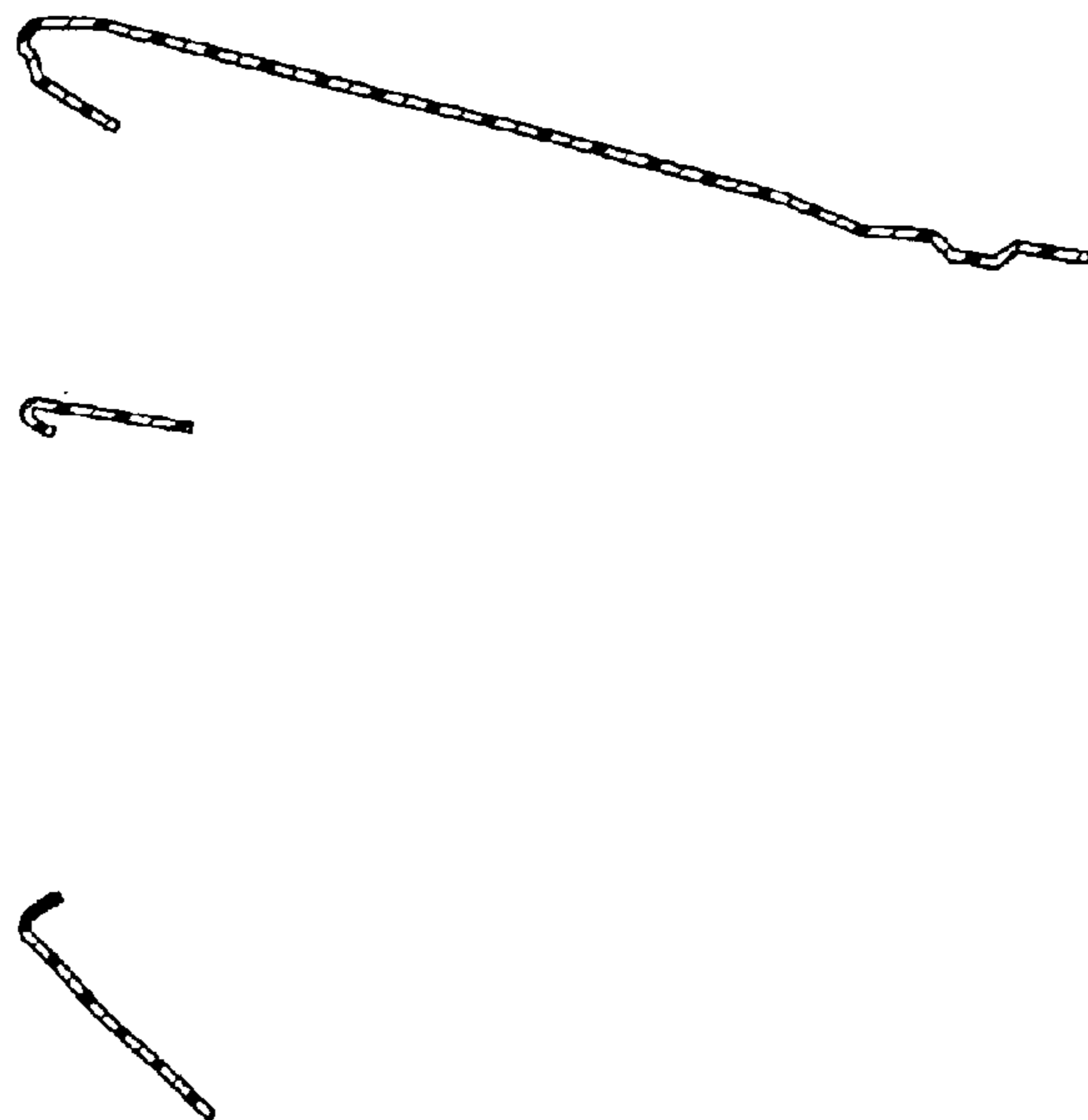


FIG.11

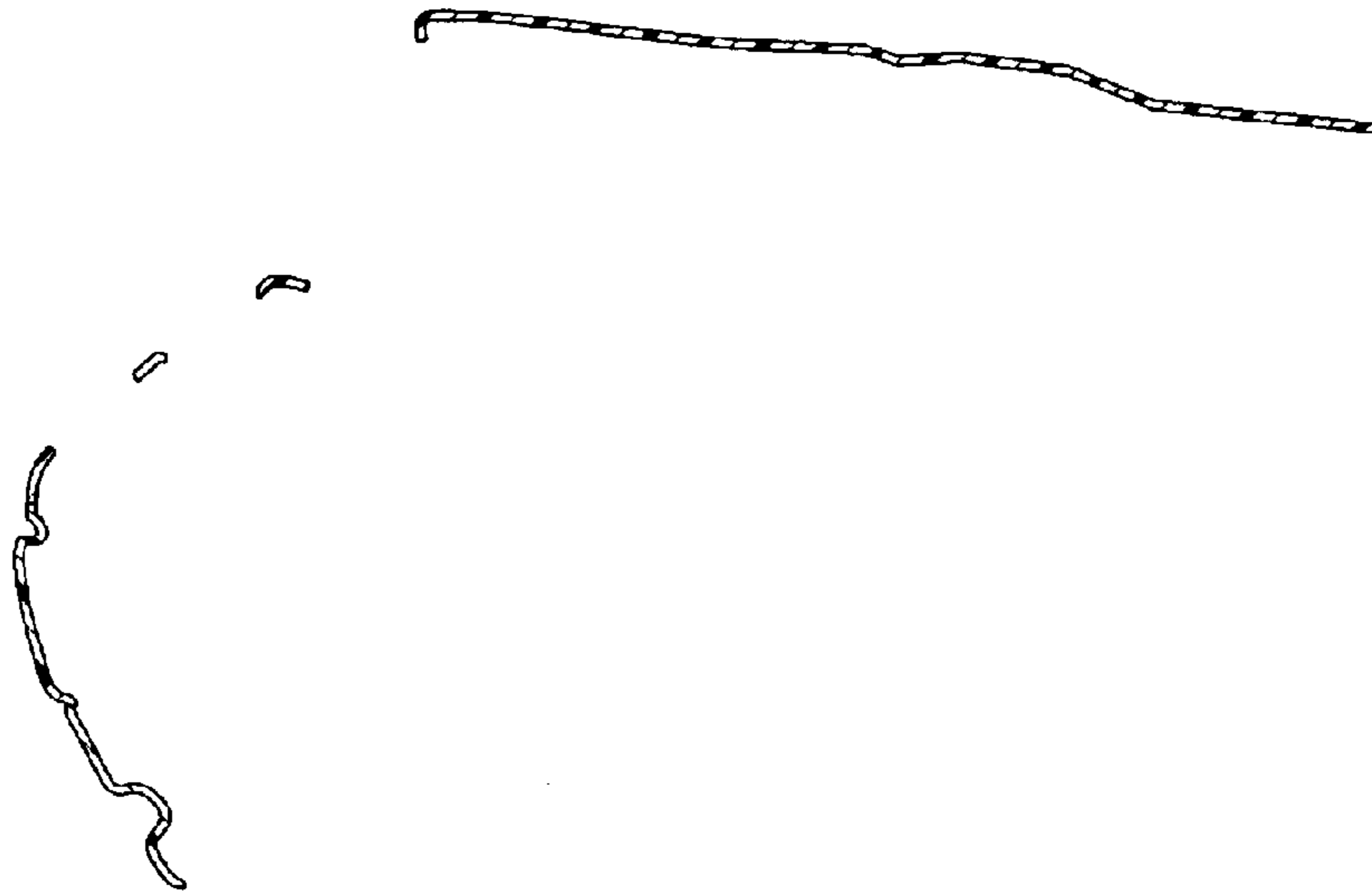


FIG.12

