

US00D499993S

(12) **United States Design Patent**
Otsubo et al.

(10) **Patent No.:** **US D499,993 S**
(45) **Date of Patent:** **** Dec. 21, 2004**

(54) **FRONT FAIRING FOR A MOTORCYCLE**

(75) Inventors: **Mamoru Otsubo**, Wako (JP); **Daisuke Soeno**, Wako (JP)

(73) Assignee: **Honda Motor Co., Ltd.**, Tokyo (JP)

(**) Term: **14 Years**

(21) Appl. No.: **29/192,278**

(22) Filed: **Oct. 23, 2003**

(30) **Foreign Application Priority Data**

Apr. 24, 2003 (JP) 2003-011668

(51) **LOC (7) Cl.** **12-16**

(52) **U.S. Cl.** **D12/182**

(58) **Field of Search** D12/110, 182;
180/219, 229; 296/78.1, 192, 193.09, 180.1;
280/152.1-152.3, 848, 852

(56) **References Cited**

U.S. PATENT DOCUMENTS

4,709,774 A * 12/1987 Saito et al. 180/229

D455,687 S * 4/2002 Nakazawa et al. D12/182

* cited by examiner

Primary Examiner—Alan P. Douglas

Assistant Examiner—Linda Brooks

(74) *Attorney, Agent, or Firm*—Birch, Stewart, Kolasch & Birch, LLP

(57) **CLAIM**

The ornamental design for a front fairing for a motorcycle, as shown and described.

DESCRIPTION

FIG. 1 is a front elevation view of front fairing for a motorcycle, showing our new design; FIG. 2 is a rear elevation view thereof; FIG. 3 is a top plan view thereof; FIG. 4 is a bottom plan view thereof; FIG. 5 is a right side elevation view thereof; FIG. 6 is a left side elevation view thereof; FIG. 7 is a perspective view thereof; and, FIG. 8 is another perspective view thereof.

1 Claim, 4 Drawing Sheets

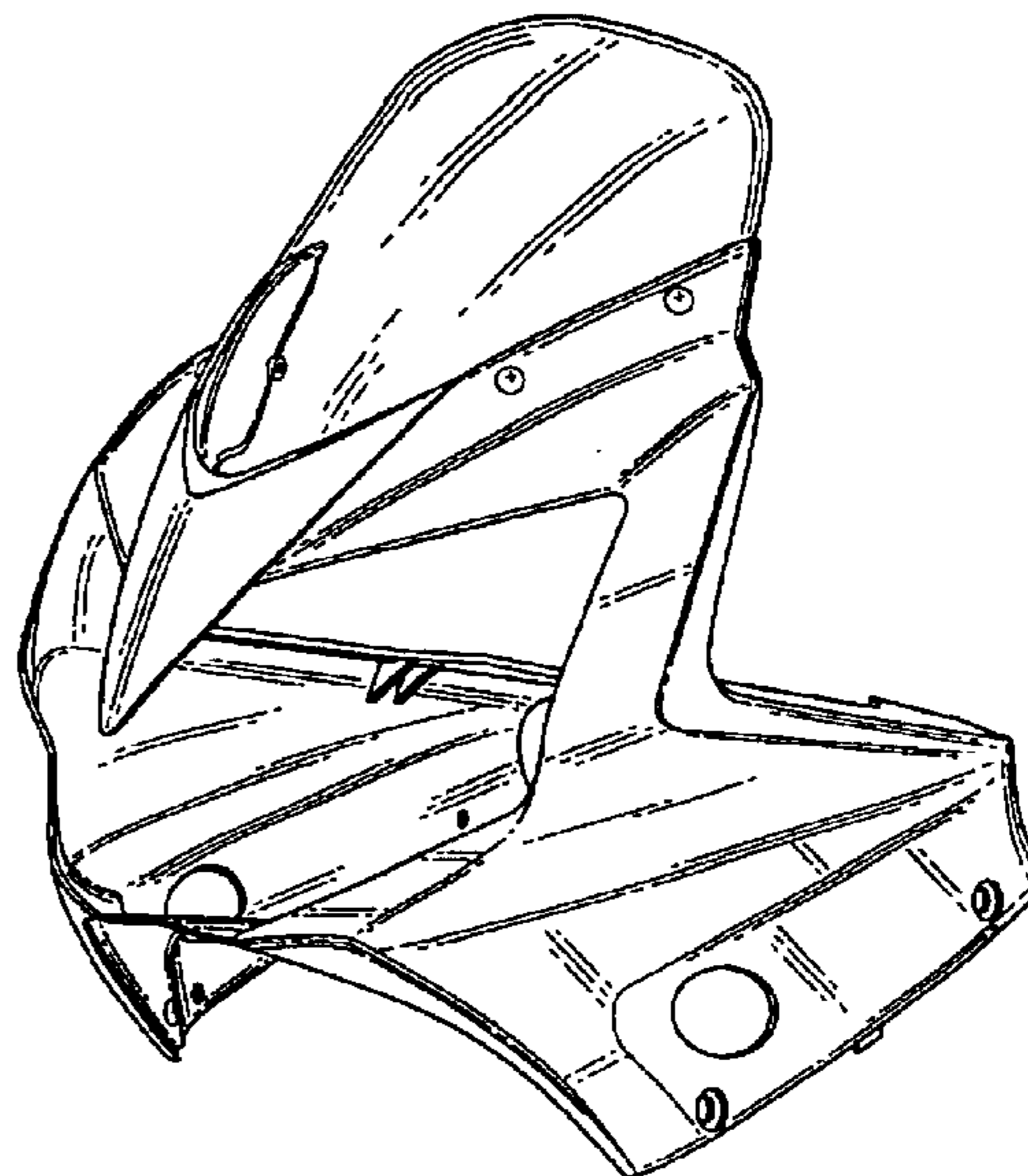
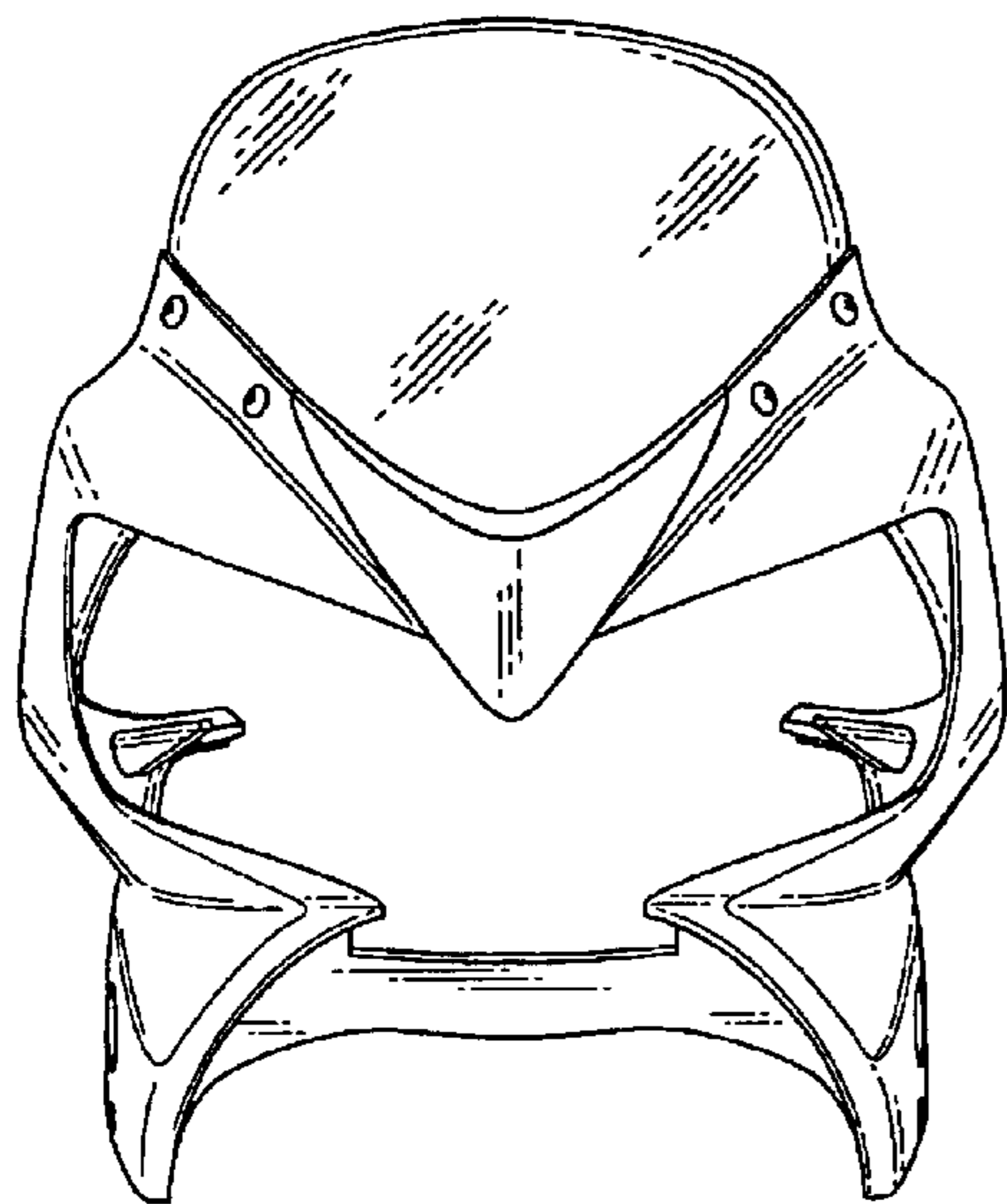


Fig. 1

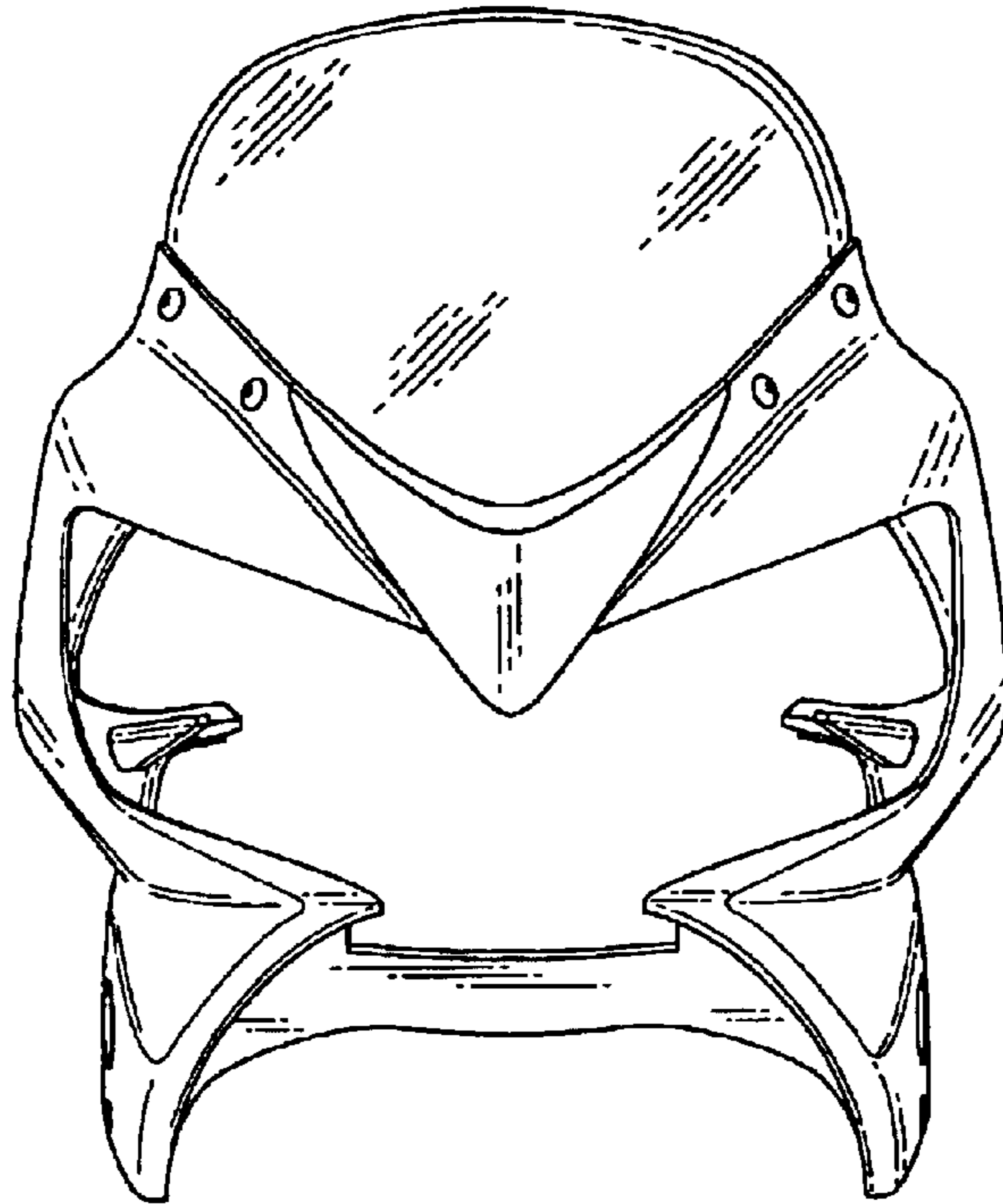


Fig. 2

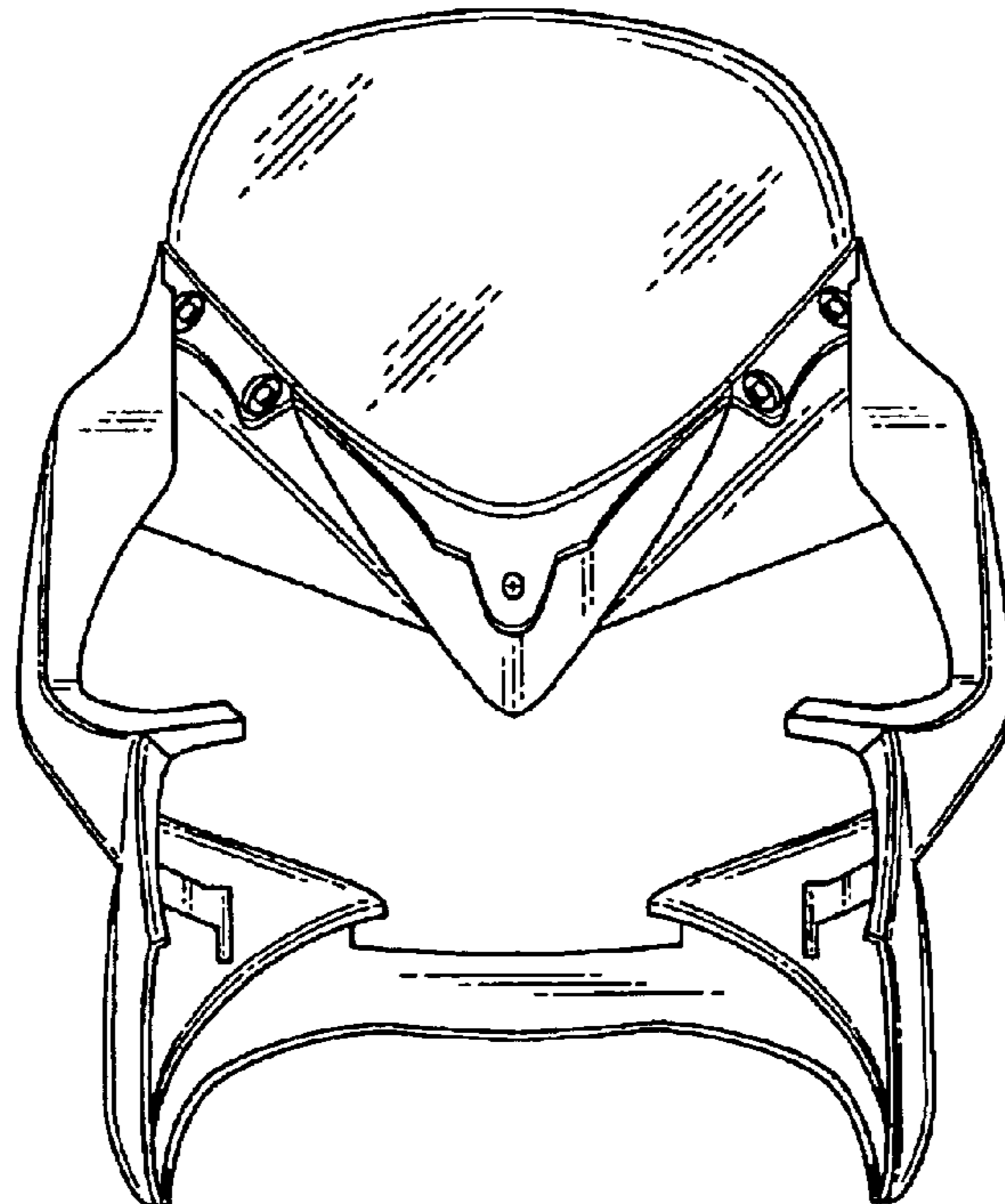


Fig. 3

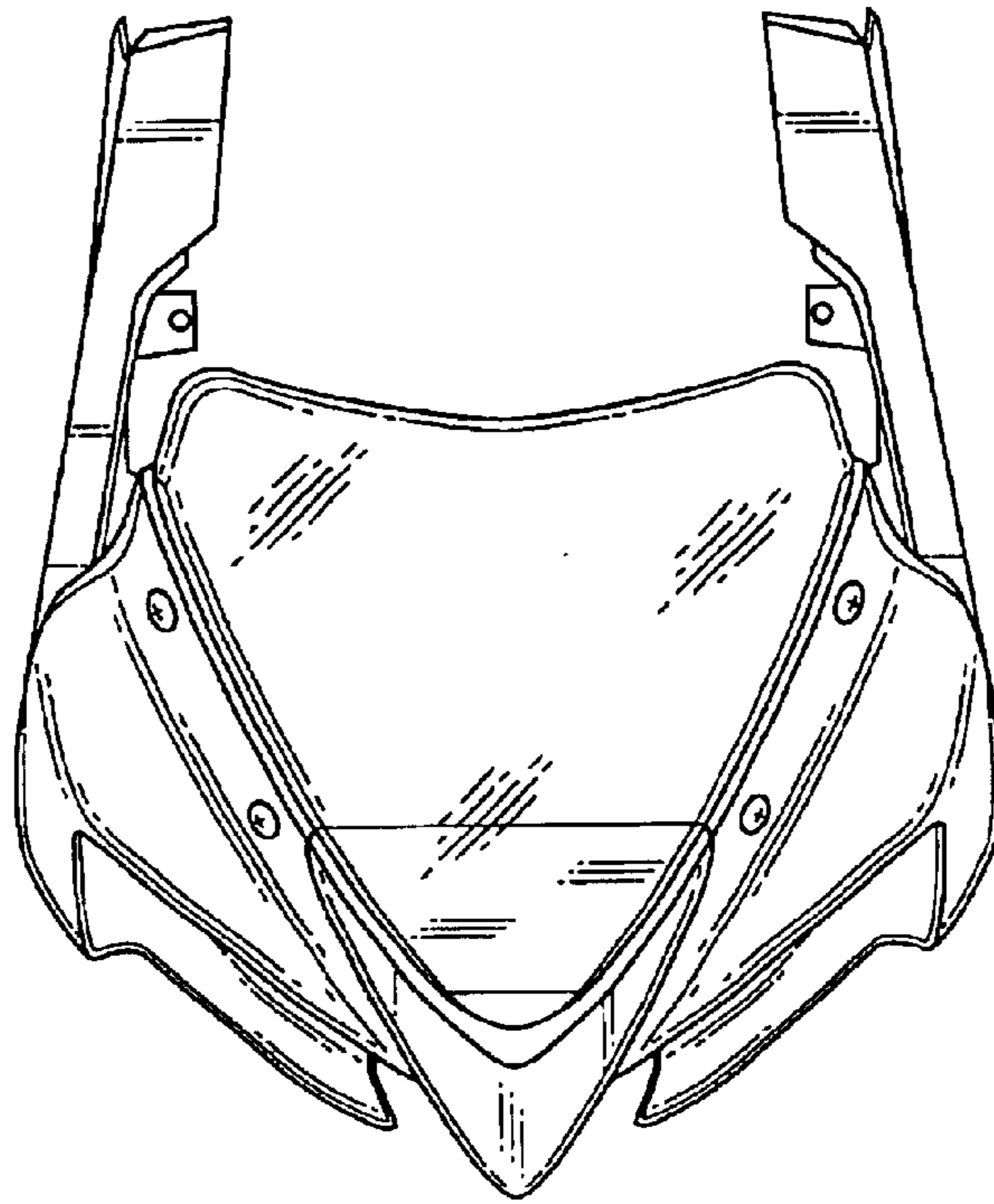


Fig. 4

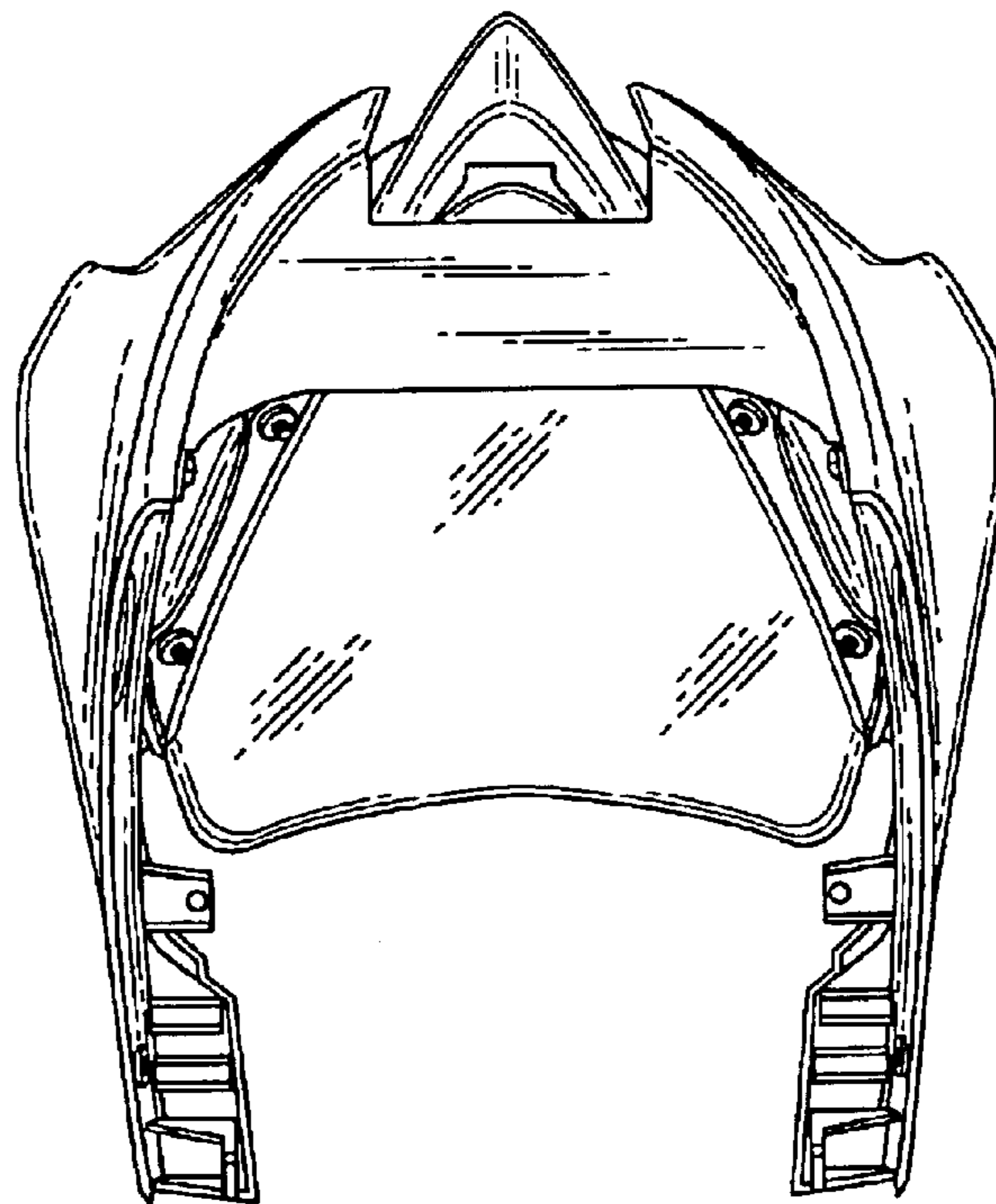


Fig. 5

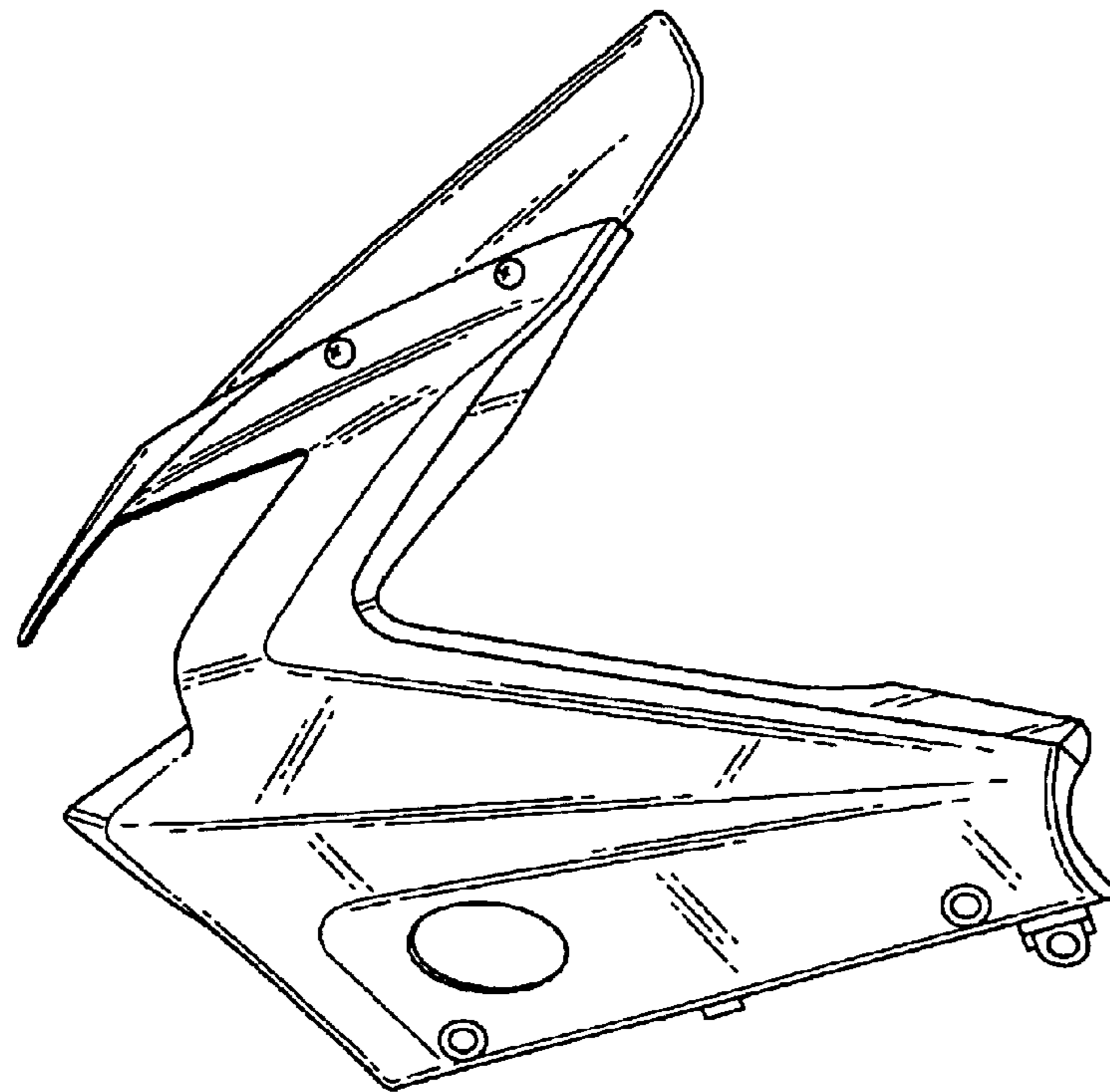


Fig. 6

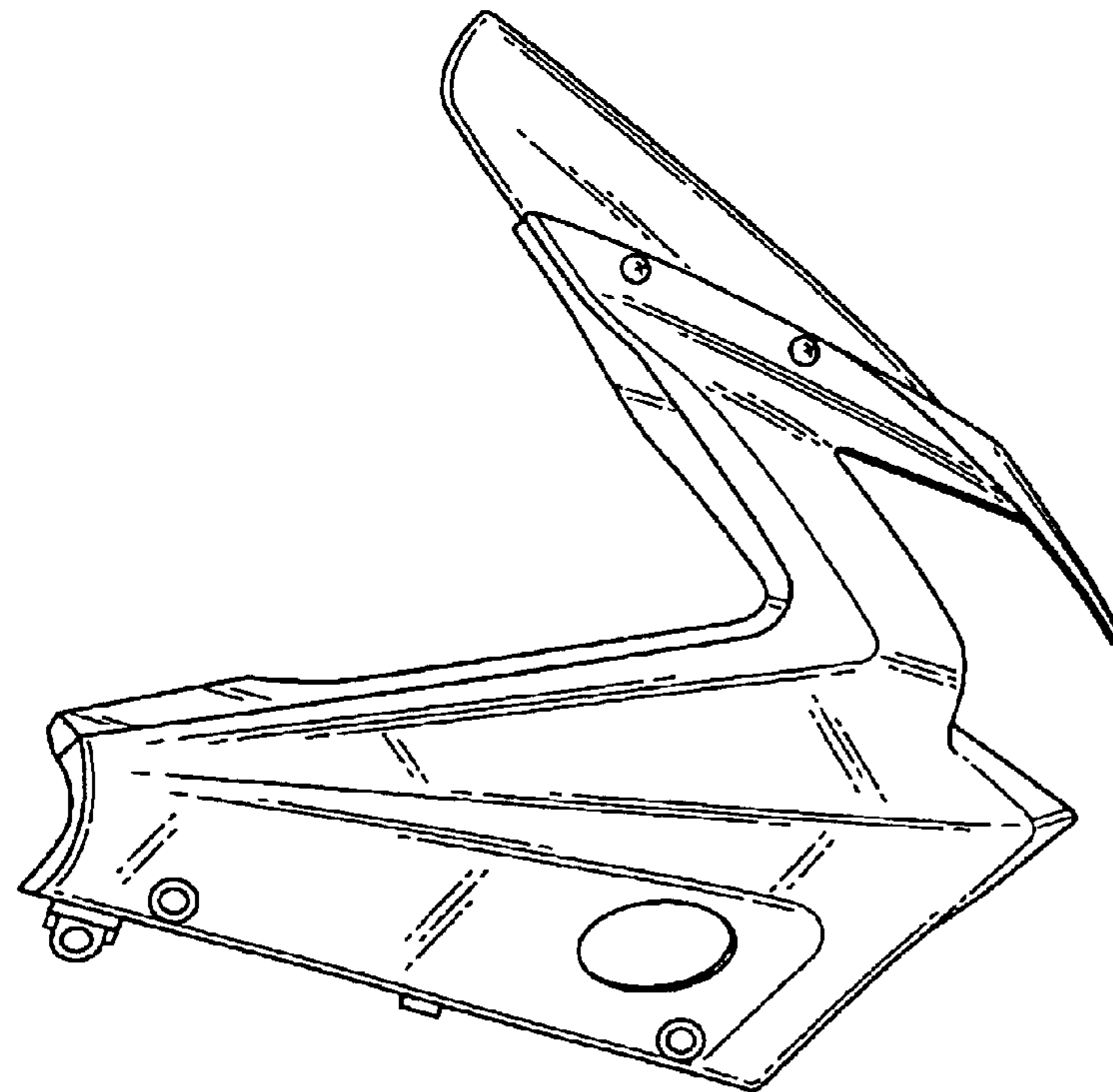


Fig. 7

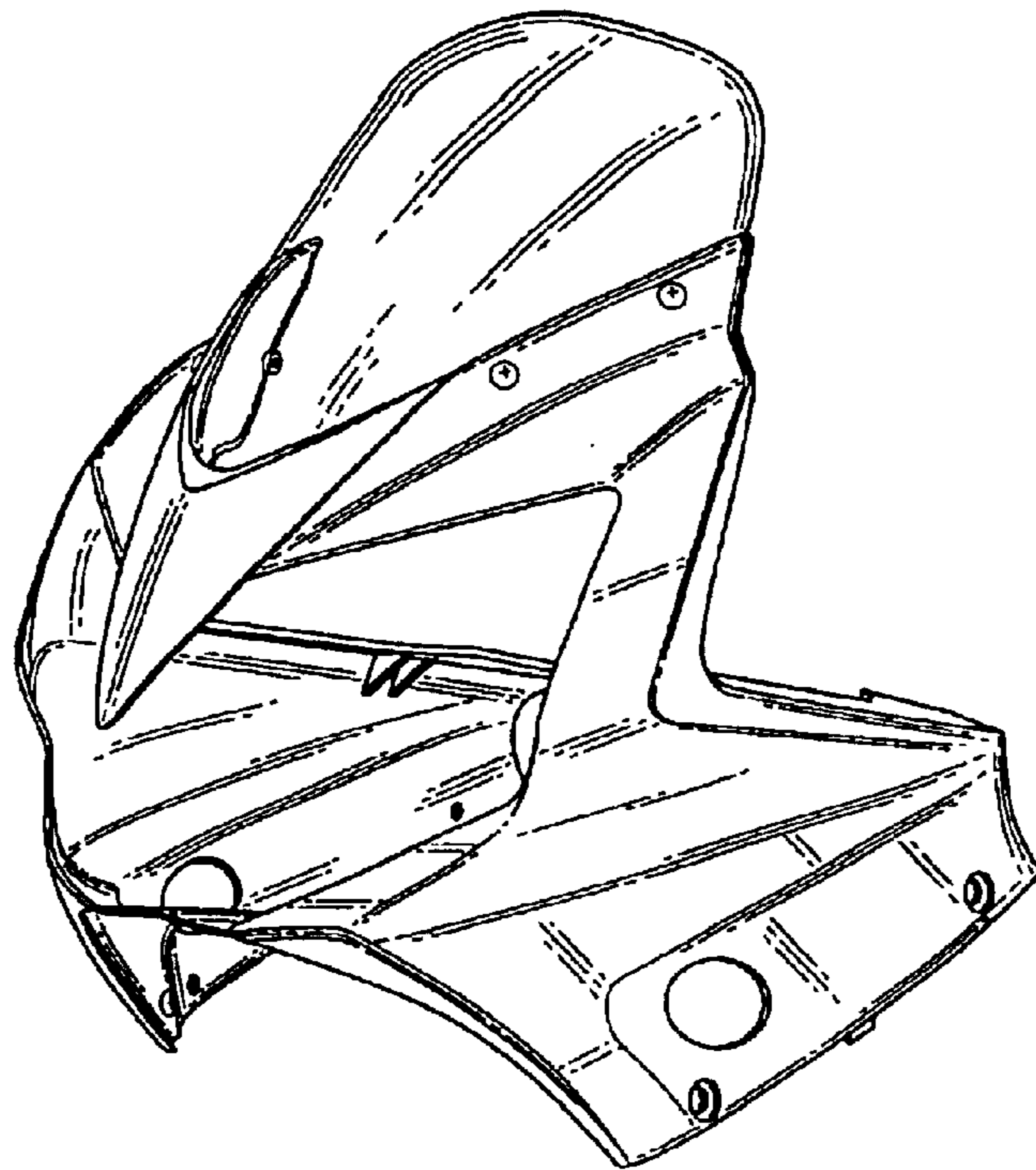


Fig. 8

