

US00D499986S

(12) **United States Design Patent**  
**Weiser**

(10) **Patent No.:** **US D499,986 S**

(45) **Date of Patent:** **\*\* Dec. 21, 2004**

(54) **WHIMSICAL FLYING AVIAN**

(75) **Inventor:** **Margaret Weiser, Tarzana, CA (US)**

(73) **Assignee:** **Exhart Environmental Systems, Inc., Chatsworth, CA (US)**

(\*\*) **Term:** **14 Years**

(21) **Appl. No.:** **29/187,835**

(22) **Filed:** **Aug. 8, 2003**

(51) **LOC (7) Cl.** ..... **11-02**

(52) **U.S. Cl.** ..... **D11/162; D21/606**

(58) **Field of Search** ..... D21/455, 458, D21/576-661; D11/205, 211, 217, 219, 224, 233, 239, 31, 47, 49, 57, 82, 100, 117, 121, 127, 131, 141, 157, 158, 162; D20/30; D10/54, 59; 428/12, 15, 16, 542.2, 542.4, 542.6; 446/34-68, 87, 89, 102, 119, 169, 176, 199, 201, 217, 218, 236, 238, 268-385, 390, 391.486, 487, 490; 70/170.01, 170.05; 40/411-413, 417-420

D241,461 S	*	9/1976	Lambert	.....	D21/592
D257,364 S	*	10/1980	Molenaar	.....	D21/458
4,582,497 A		4/1986	Lyons	.....	446/217
D337,358 S	*	7/1993	Orak	.....	D21/590
5,469,738 A	*	11/1995	Hendrickson	.....	73/170.07
5,613,317 A	*	3/1997	Ninegar	.....	43/3
5,971,828 A		10/1999	Lin	.....	446/217
6,095,458 A	*	8/2000	Cripe	.....	244/153 R
6,206,747 B1		3/2001	Skwarek	.....	446/217
6,360,474 B1	*	3/2002	Wurlitzer	.....	43/3
6,364,732 B1		4/2002	Wu	.....	446/217
6,374,530 B1	*	4/2002	Mierau	.....	43/3
6,422,913 B1		7/2002	Trejo	.....	446/217
6,475,056 B1		11/2002	Christianson	.....	446/201
D474,421 S	*	5/2003	Weiser	.....	D11/162

\* cited by examiner

*Primary Examiner*—Stella Reid

*Assistant Examiner*—C. Tuttle

(74) *Attorney, Agent, or Firm*—Cislo & Thomas LLP

(57) **CLAIM**

The ornamental design for a whimsical flying avian, as shown and described herein.

**DESCRIPTION**

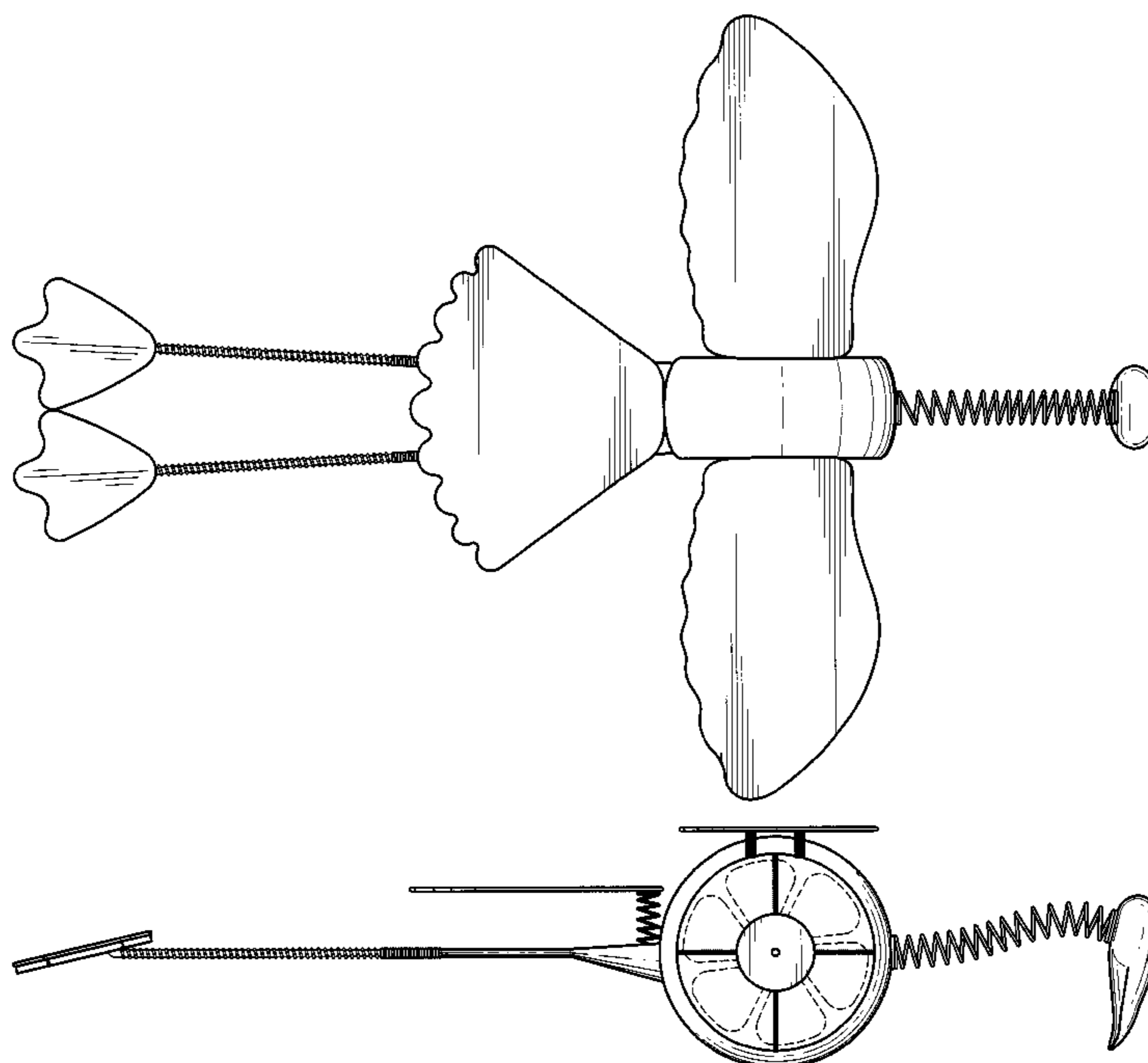
FIG. 1. Is a bottom plan view of my whimsical flying avian; FIG. 2. Is a top plan view thereof; FIG. 3. Is a left side elevational view thereof with the right side elevational view being a mirror image thereof; FIG. 4. Is a rear elevational view thereof; and, FIG. 5. Is a front elevational view thereof. The portions shown in broken lines in FIG. 3 are for illustrative purposes only and form no part of the claimed design.

**1 Claim, 4 Drawing Sheets**

(56) **References Cited**

**U.S. PATENT DOCUMENTS**

1,263,838 A	*	4/1918	Barber	.....	446/199
1,377,544 A	*	5/1921	Angell	.....	446/243
1,538,562 A		5/1925	Koshalko		
1,601,983 A	*	10/1926	Savage	.....	446/362
1,910,923 A		5/1933	Kerr		
D131,617 S	*	3/1942	Jacoby	.....	D9/317
D145,474 S	*	8/1946	Garcia	.....	D11/162
D147,378 S	*	8/1947	Rouse	.....	D21/585
2,545,801 A	*	3/1951	Wrzen	.....	40/412
D175,662 S	*	9/1955	Yasui	.....	D21/609



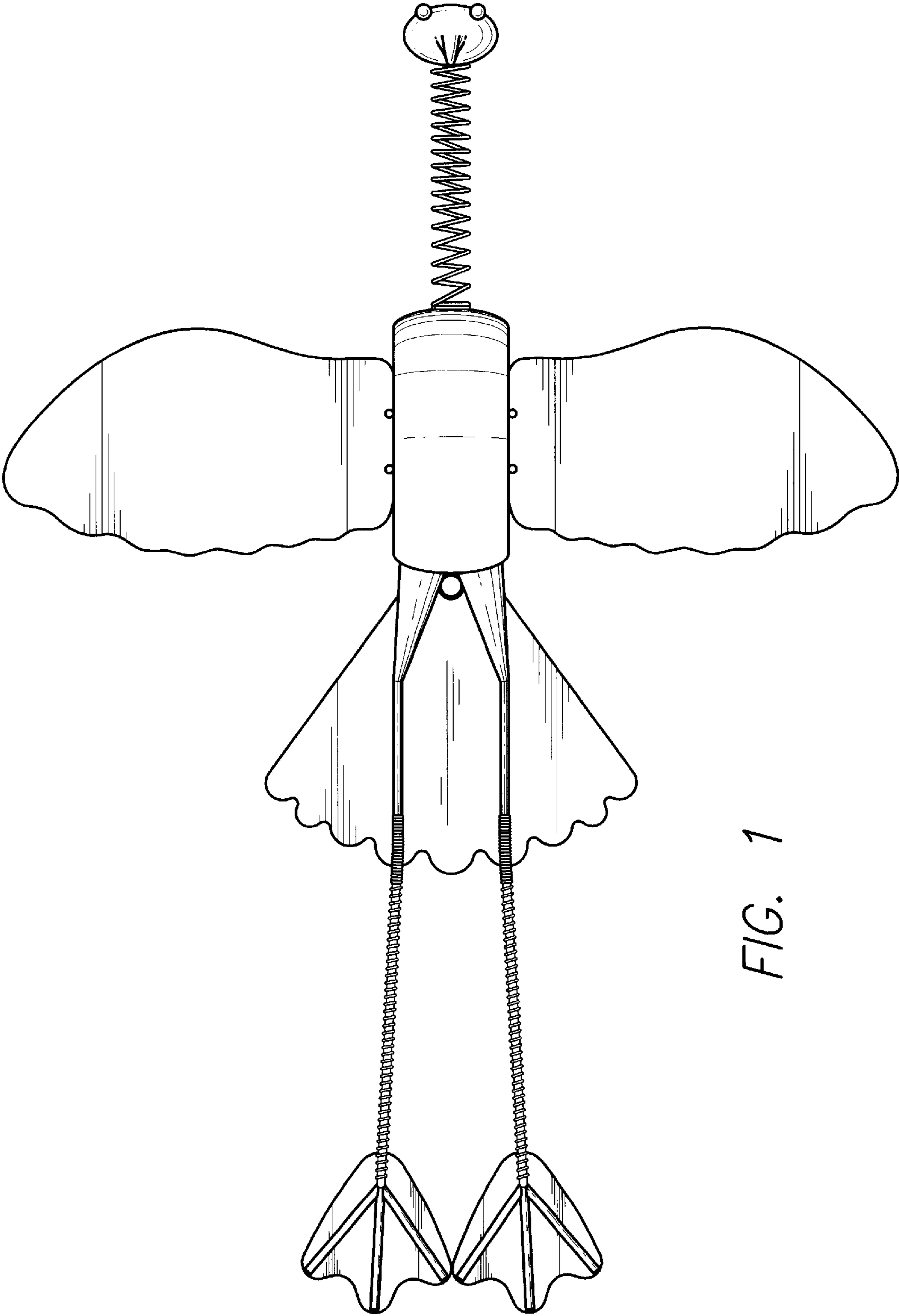


FIG. 1

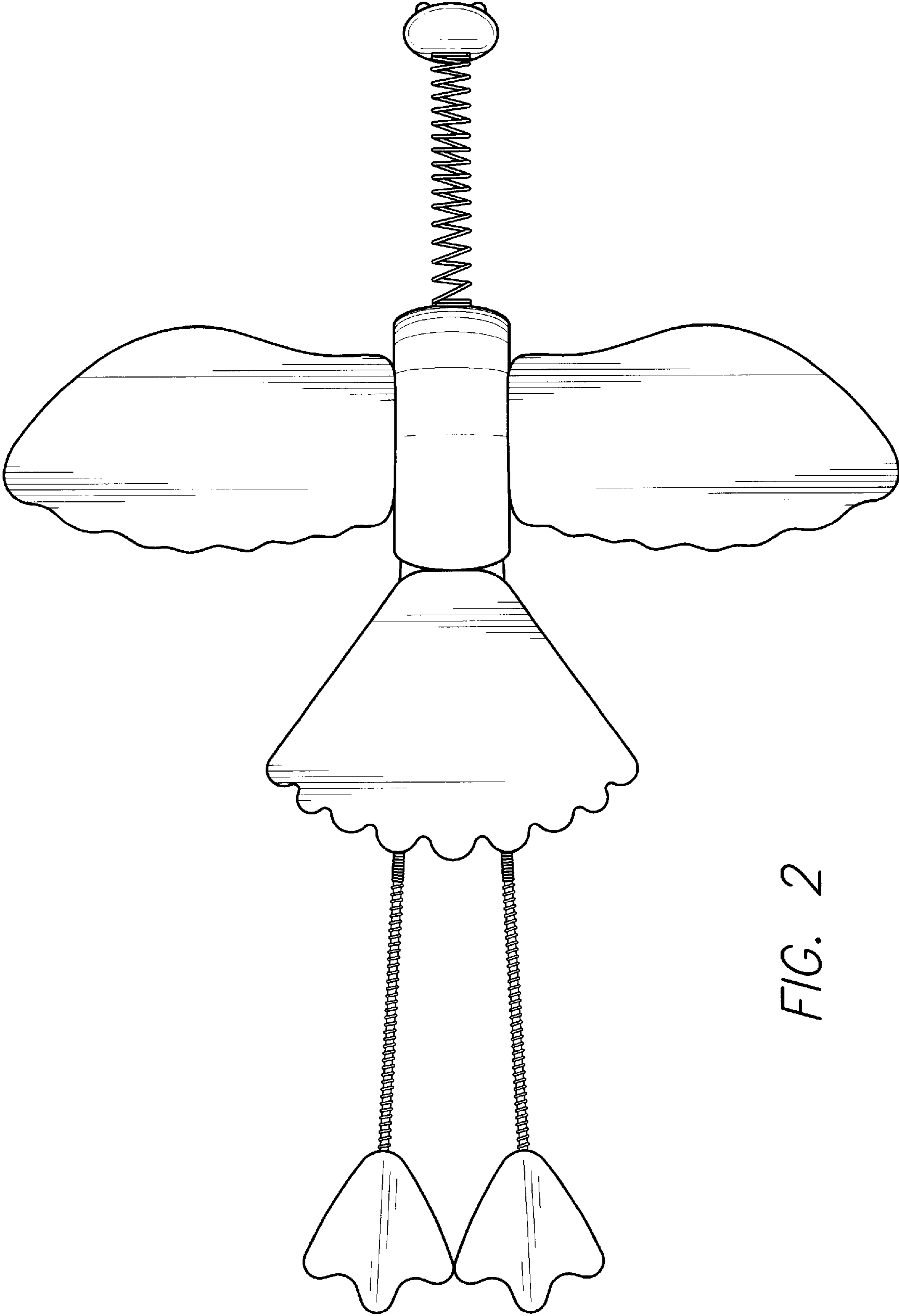


FIG. 2

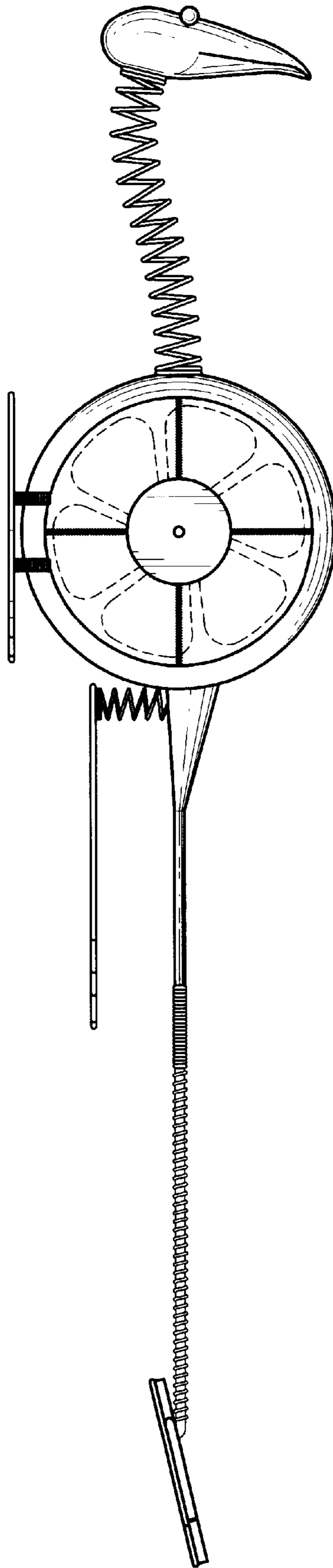


FIG. 3

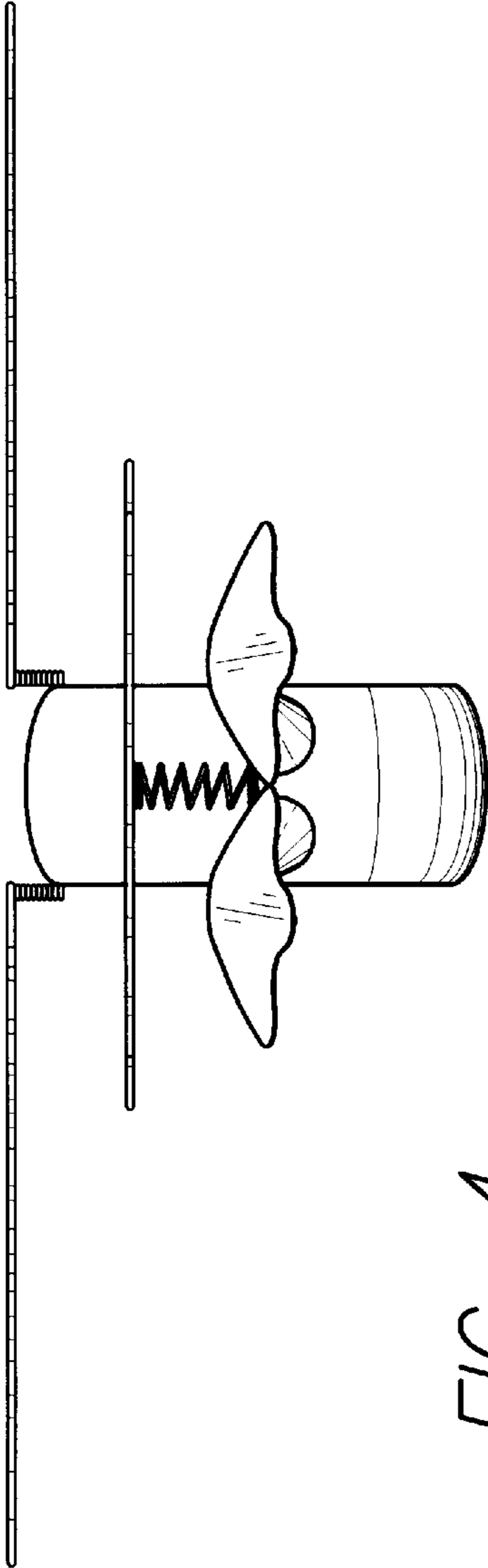


FIG. 4

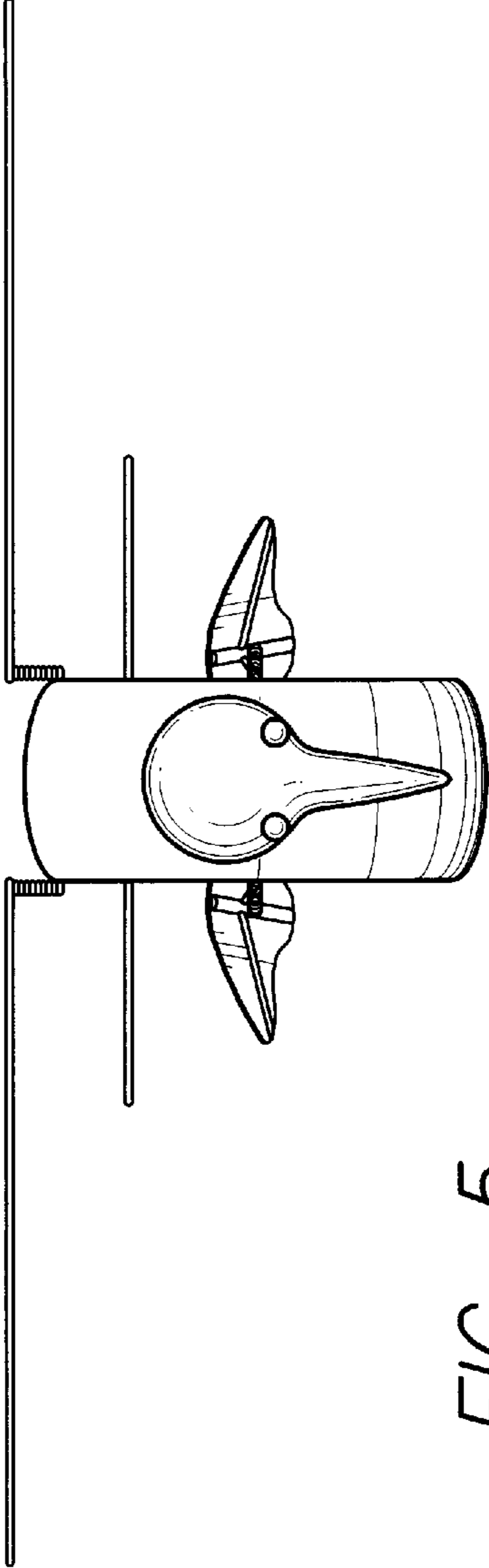


FIG. 5